



US00D698009S

(12) **United States Design Patent**  
**Smith**

(10) **Patent No.:** **US D698,009 S**  
(45) **Date of Patent:** **\*\* Jan. 21, 2014**

(54) **GRIPPING MECHANISM FOR A GAS TANK VALVE**

(76) Inventor: **Steve Smith**, Fullerton, CA (US)

(\*\*) Term: **14 Years**

(21) Appl. No.: **29/410,717**

(22) Filed: **Jan. 11, 2012**

(51) **LOC (10) Cl.** ..... **23-01**

(52) **U.S. Cl.**  
USPC ..... **D23/233**

(58) **Field of Classification Search**  
USPC ..... D23/233–237, 244–249; D9/738, 435,  
D9/434, 454, 445, 500; 220/269–271, 500,  
220/600, 619, 623; D7/900, 396.2, 538,  
D7/510, 511, 392.1

See application file for complete search history.

(56) **References Cited**

**U.S. PATENT DOCUMENTS**

D157,363 S *	2/1950	Frankel	.....	D7/391
D266,906 S *	11/1982	Guerette	.....	D9/453
D333,065 S *	2/1993	Murphy	.....	D7/391
D394,184 S *	5/1998	Demore	.....	D7/391

D476,563 S *	7/2003	Brozell et al.	.....	D9/435
D533,396 S *	12/2006	Lipson	.....	D7/392.1
D578,890 S *	10/2008	Swanson et al.	.....	D9/453
D600,319 S *	9/2009	Downing	.....	D23/233
D616,067 S *	5/2010	Cavagna	.....	D23/233
D634,813 S *	3/2011	Hernandez, IV	.....	D23/233
D652,297 S *	1/2012	Dunwoody	.....	D9/435
D655,162 S *	3/2012	Daniel	.....	D9/447
D675,714 S *	2/2013	Nguyen	.....	D23/233
D687,070 S *	7/2013	Liao	.....	D15/5
2012/0325338 A1 *	12/2012	Pettinaroli et al.	.....	137/505

\* cited by examiner

*Primary Examiner* — Cynthia Ramirez

(74) *Attorney, Agent, or Firm* — F. Jason Far-hadian, Esq.;  
Century IP Group

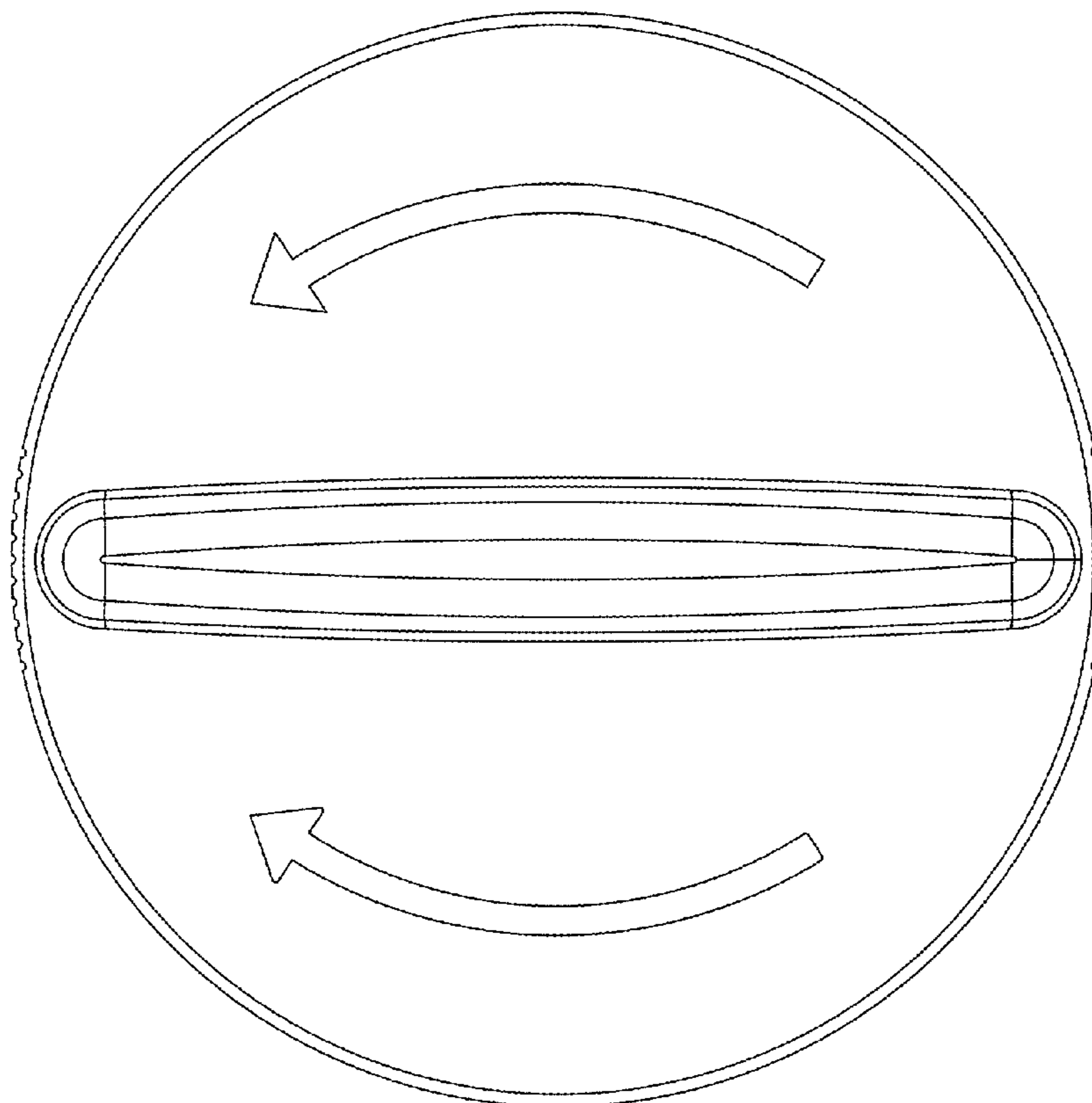
(57) **CLAIM**

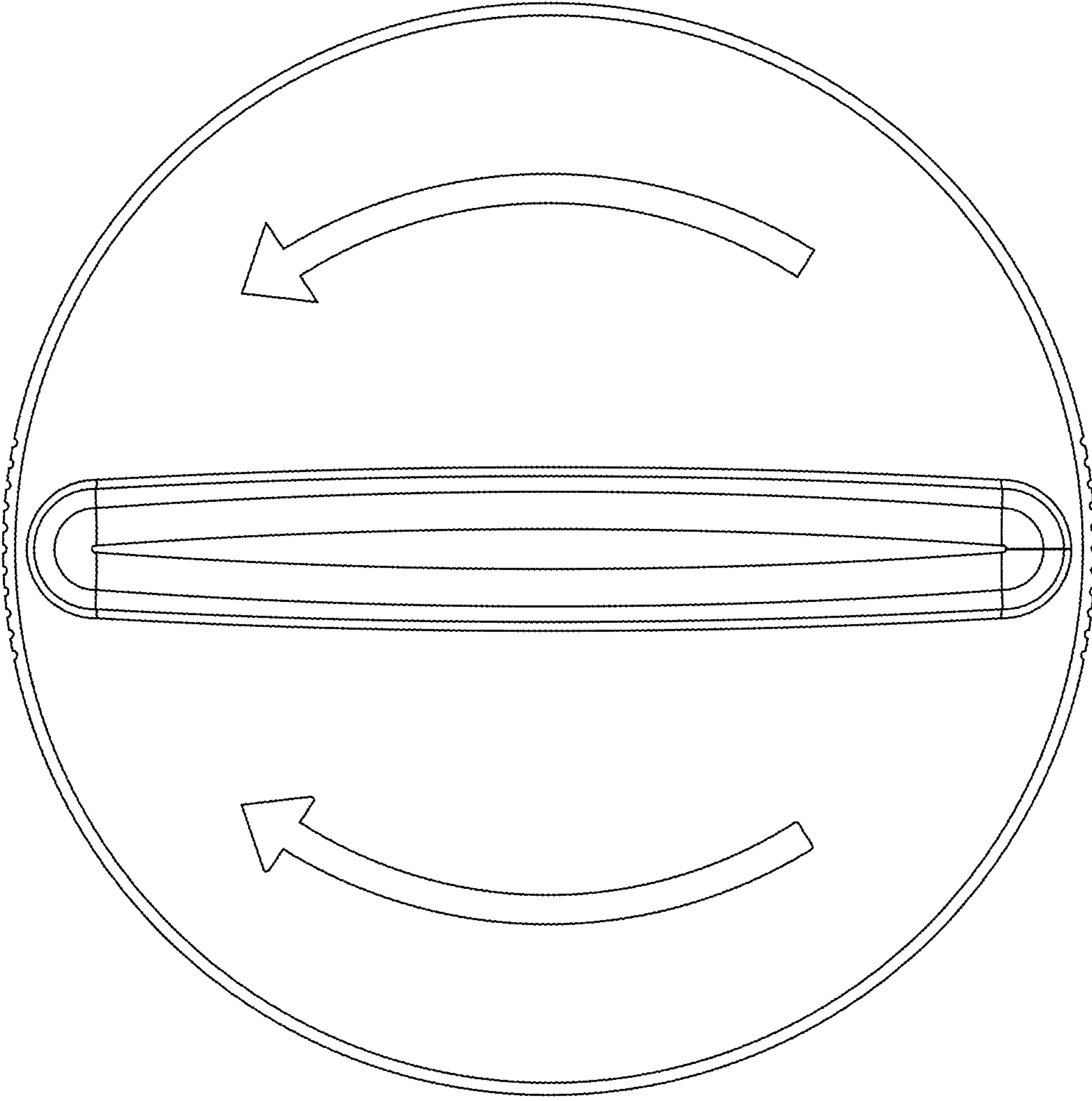
The ornamental design for a gripping mechanism for a gas tank valve, as shown.

**DESCRIPTION**

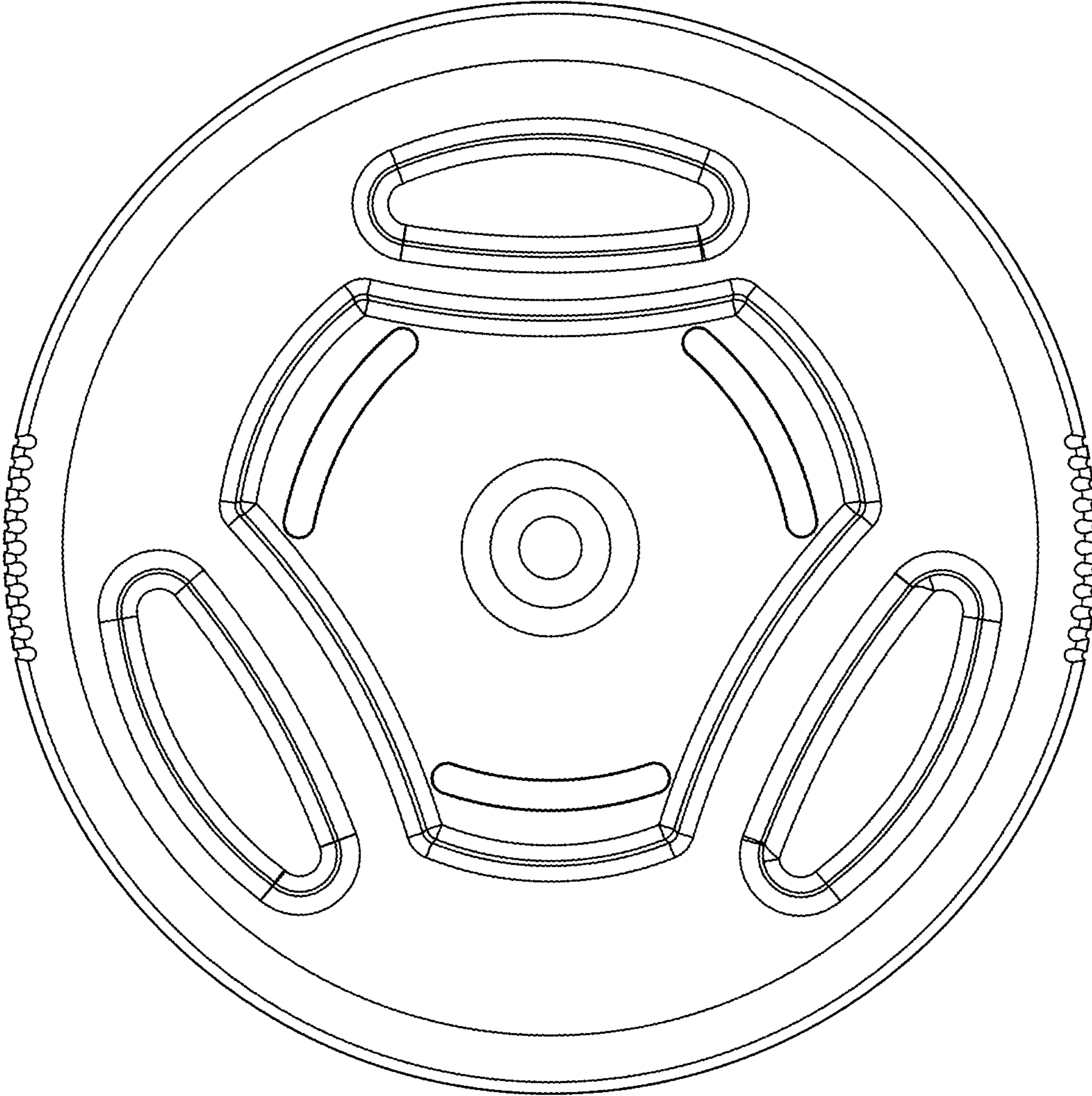
FIG. 1 is a top plan view of a gripping mechanism for a gas tank valve showing my new design;  
FIG. 2 is a bottom plan view thereof;  
FIG. 3 is a top perspective view thereof; and,  
FIG. 4 is a bottom perspective view thereof.

**1 Claim, 4 Drawing Sheets**

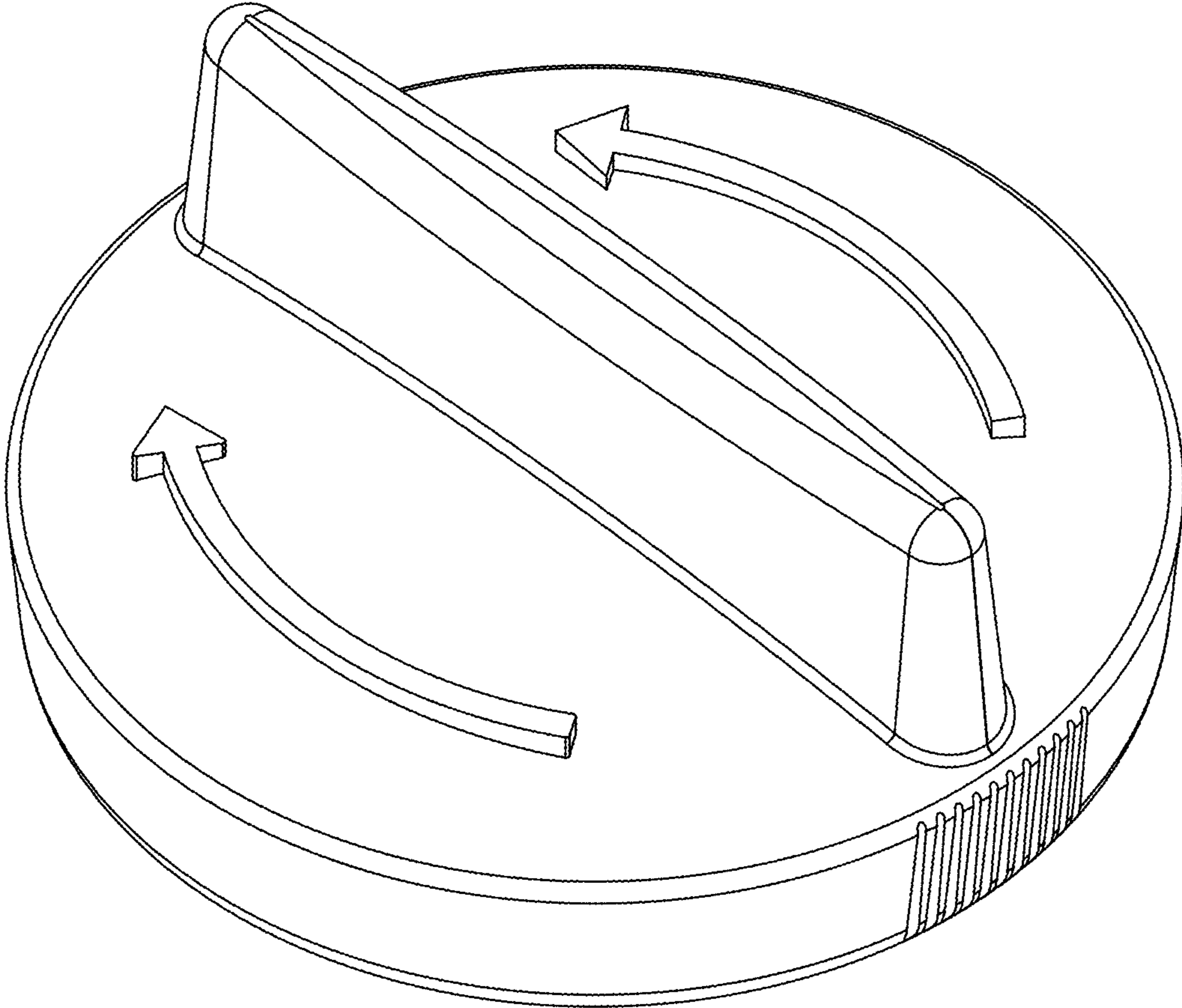




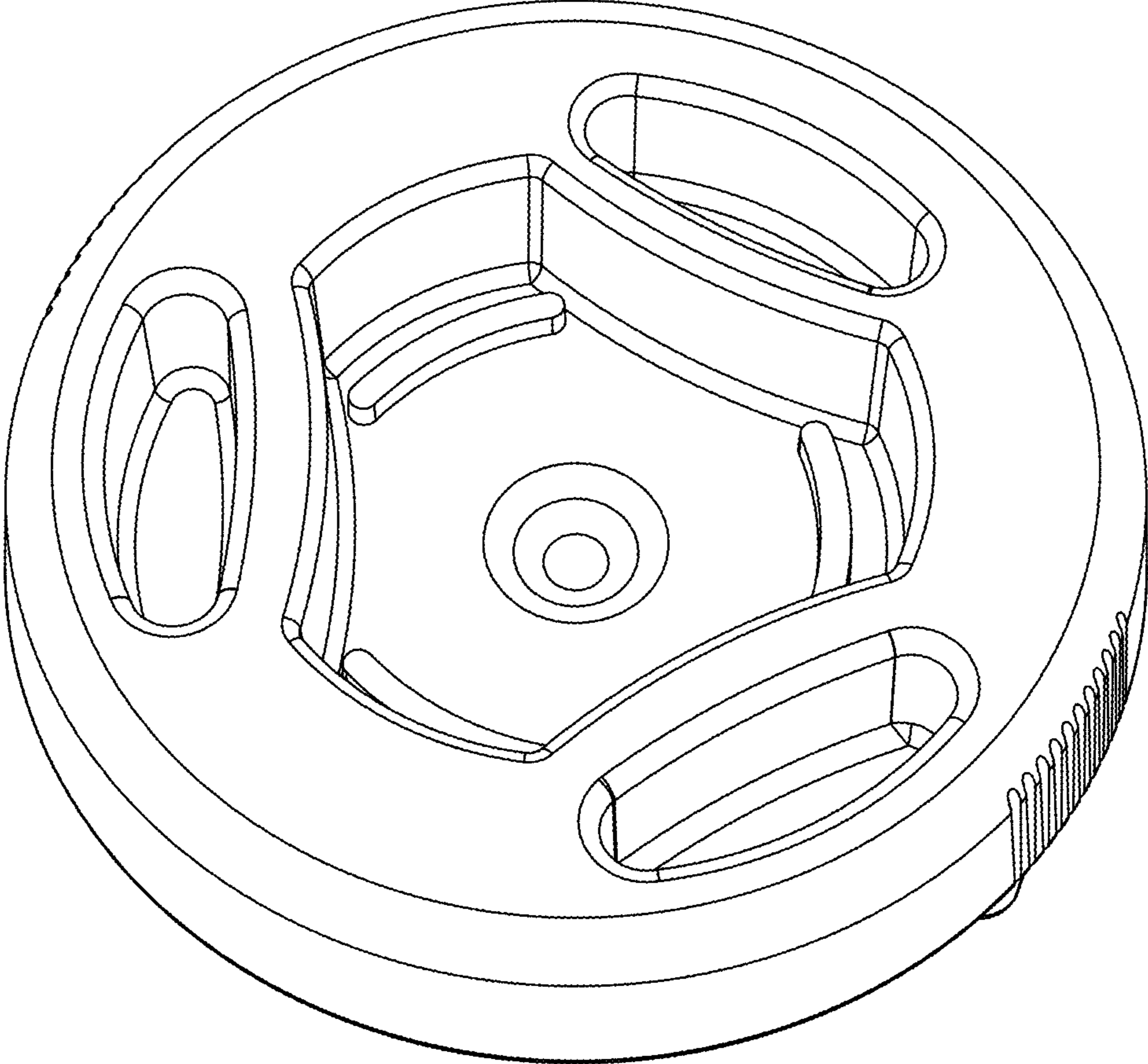
**FIG. 1**



**FIG. 2**



**FIG. 3**



**FIG. 4**