



US00D698007S

(12) **United States Design Patent**  
**Tullney**

(10) **Patent No.:** **US D698,007 S**  
(45) **Date of Patent:** **\*\* Jan. 21, 2014**

(54) **PAINT SPRAYING DEVICE**

(75) Inventor: **Heiko Tullney**, Hamburg (DE)

(73) Assignee: **J. Wagner GmbH**, Markdorf (DE)

(\*\*) Term: **14 Years**

(21) Appl. No.: **29/419,203**

(22) Filed: **Apr. 26, 2012**

(30) **Foreign Application Priority Data**

Oct. 26, 2011 (EM) ..... 001938119

(51) **LOC (10) Cl.** ..... **23-01**

(52) **U.S. Cl.**  
USPC ..... **D23/225**

(58) **Field of Classification Search**  
USPC ..... D23/213, 223, 225, 226; 222/383.1;  
239/302, 308, 310, 373, DIG. 14;  
361/227, 228

See application file for complete search history.

(56) **References Cited**

**U.S. PATENT DOCUMENTS**

D114,866 S \* 5/1939 Radtke ..... D23/226  
D304,068 S \* 10/1989 Herbst ..... D23/226

D447,791 S \* 9/2001 Robidoux ..... D23/226  
D519,603 S \* 4/2006 Schumann et al. .... D23/225  
D609,778 S \* 2/2010 Woodgate ..... D23/225

\* cited by examiner

*Primary Examiner* — Robin V Webster

(74) *Attorney, Agent, or Firm* — Burr & Brown, PLLC

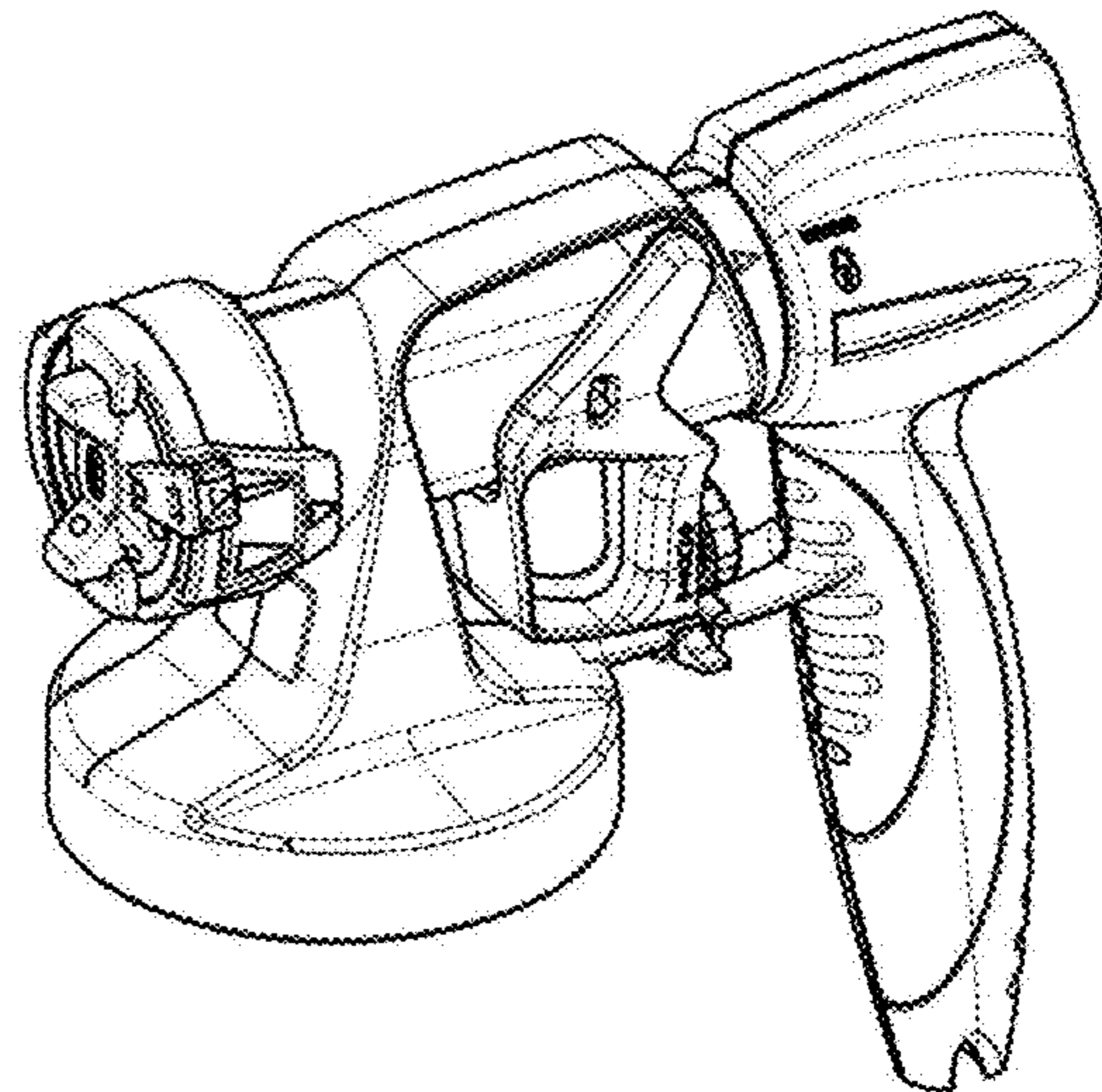
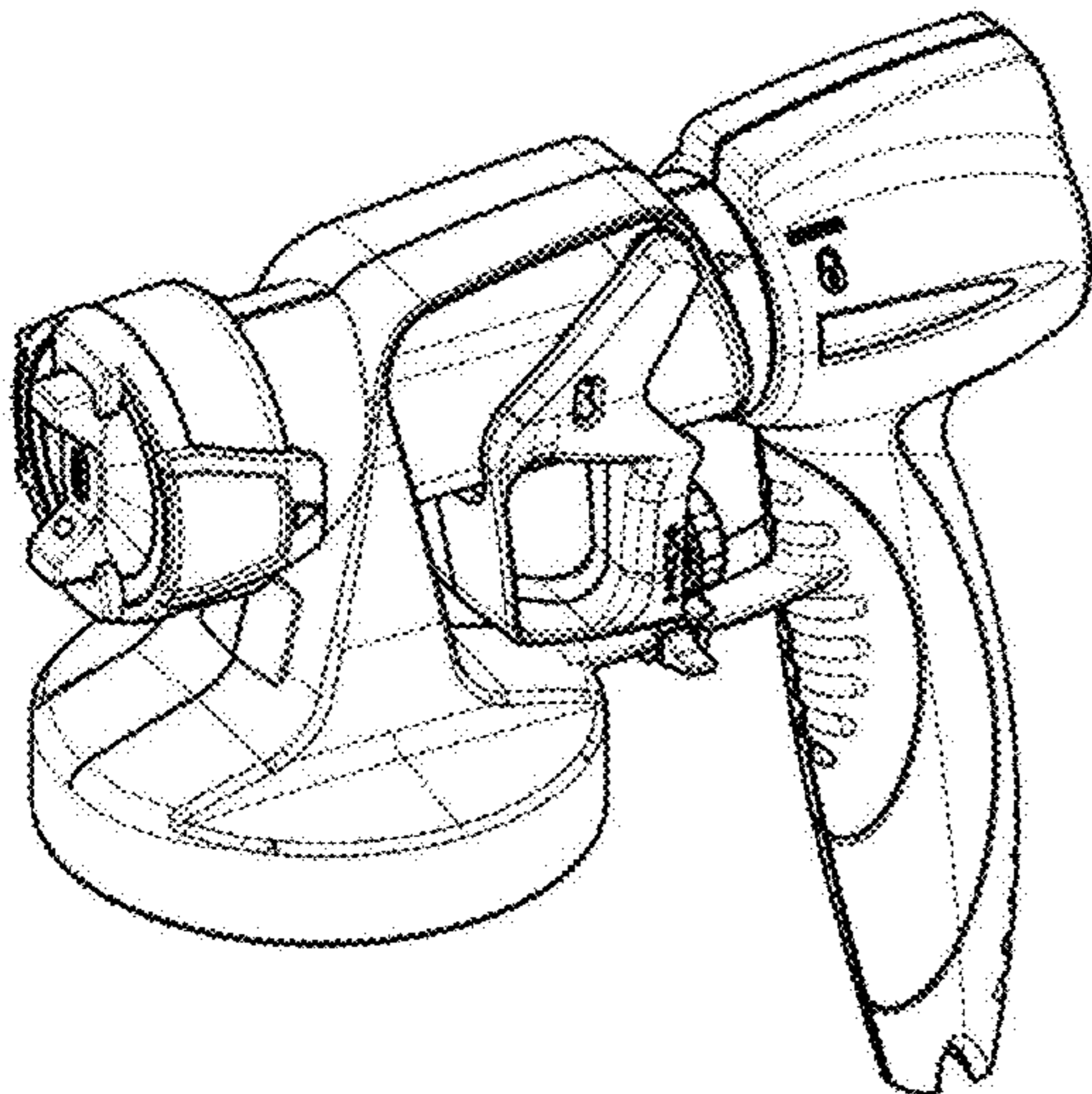
(57) **CLAIM**

The ornamental design for a paint spraying device, as shown and described.

**DESCRIPTION**

FIG. 1 is a perspective view of a paint spraying device with handle illustrating our new design;  
FIG. 2 a right side view thereof;  
FIG. 3 is a left side view thereof;  
FIG. 4 is a front view thereof;  
FIG. 5 is a rear view thereof;  
FIG. 6 is a top view thereof; and  
FIG. 7 is a bottom view thereof;  
FIG. 8 is a perspective view of a paint spraying device with handle illustrating our new design;  
FIG. 9 a right side view thereof;  
FIG. 10 is a left side view thereof;  
FIG. 11 is a front view thereof;  
FIG. 12 is a rear view thereof;  
FIG. 13 is a top view thereof; and,  
FIG. 14 is a bottom view thereof.

**1 Claim, 14 Drawing Sheets**



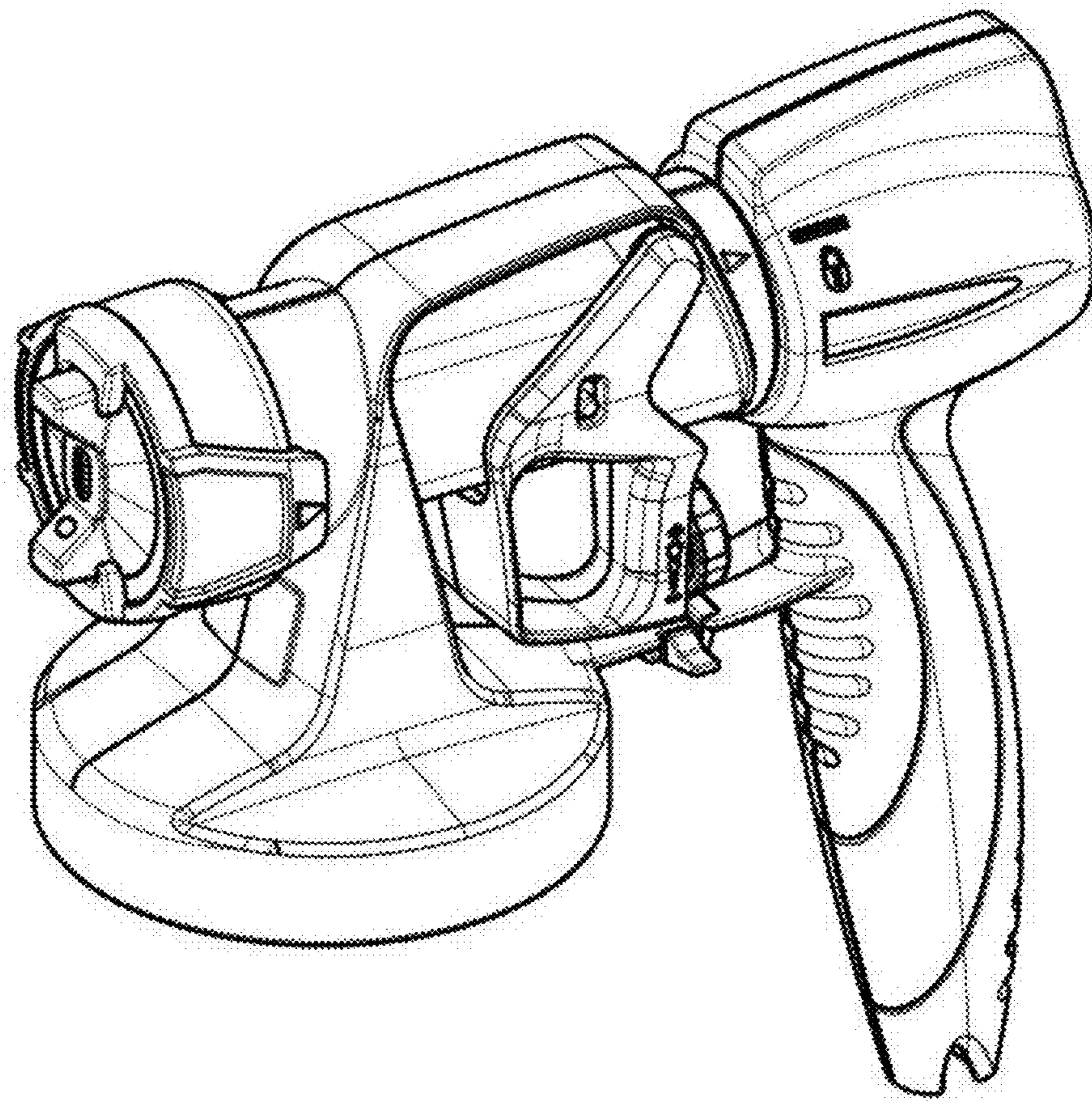


Fig. 1

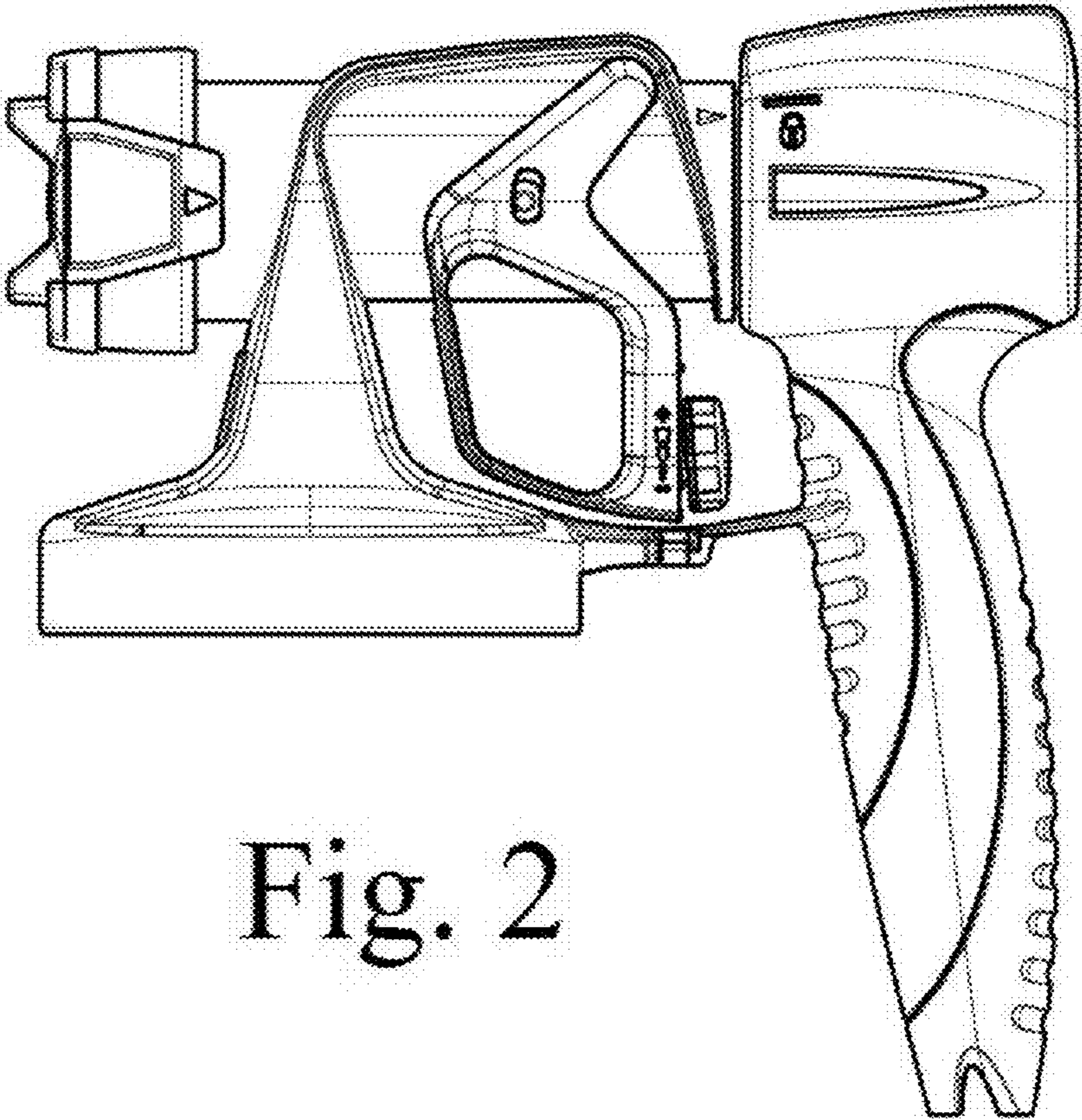


Fig. 2

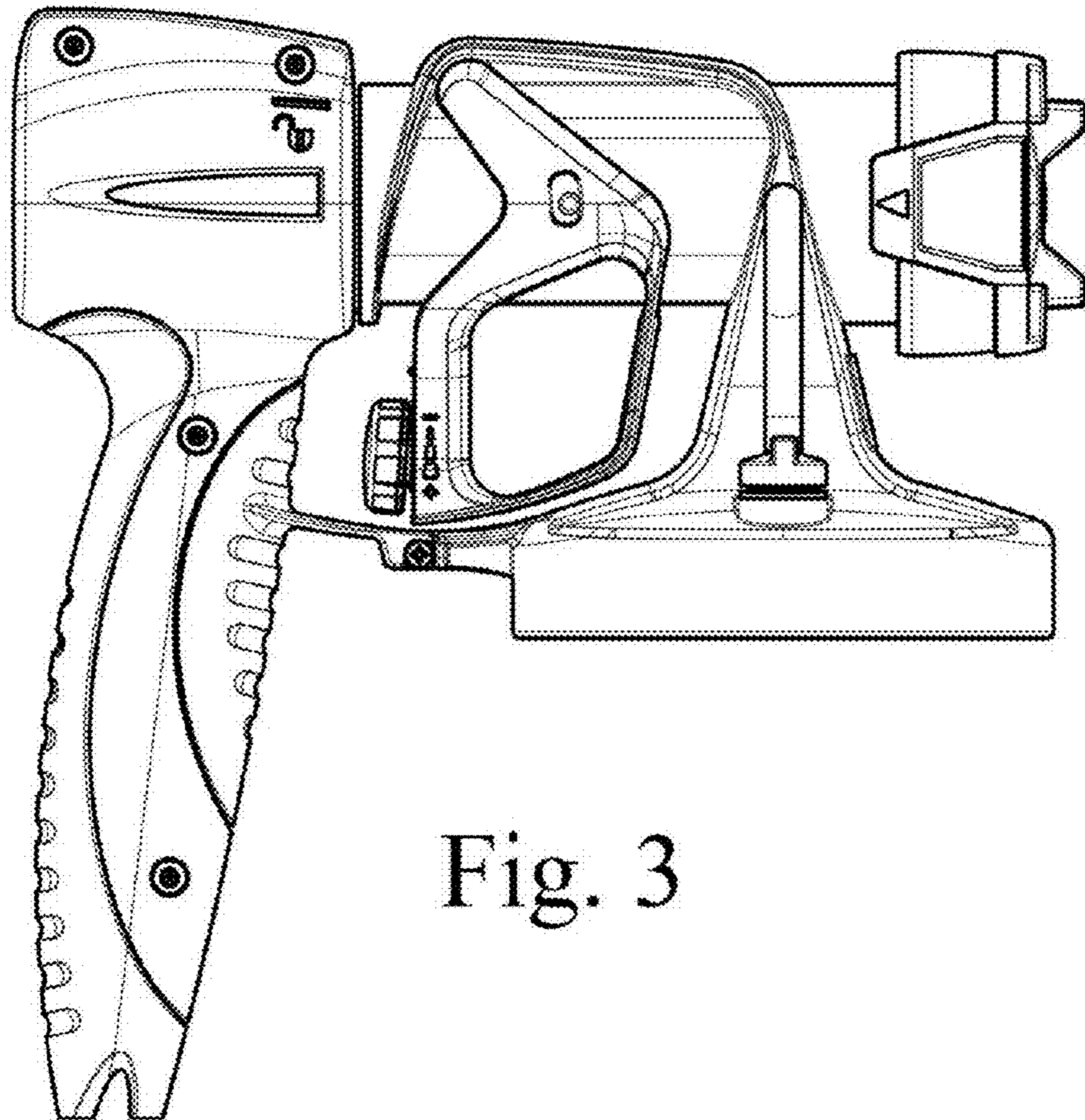


Fig. 3

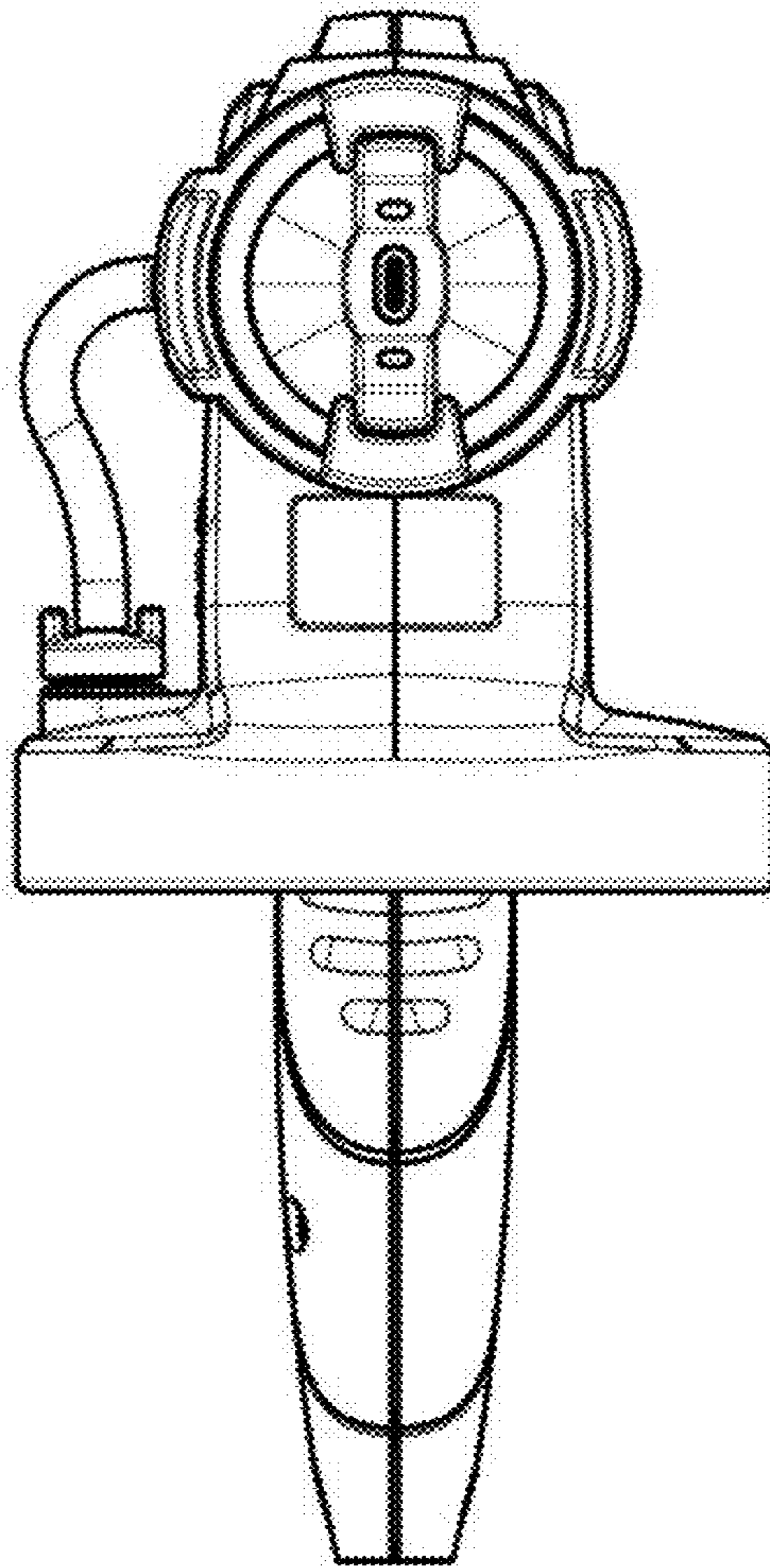


Fig. 4

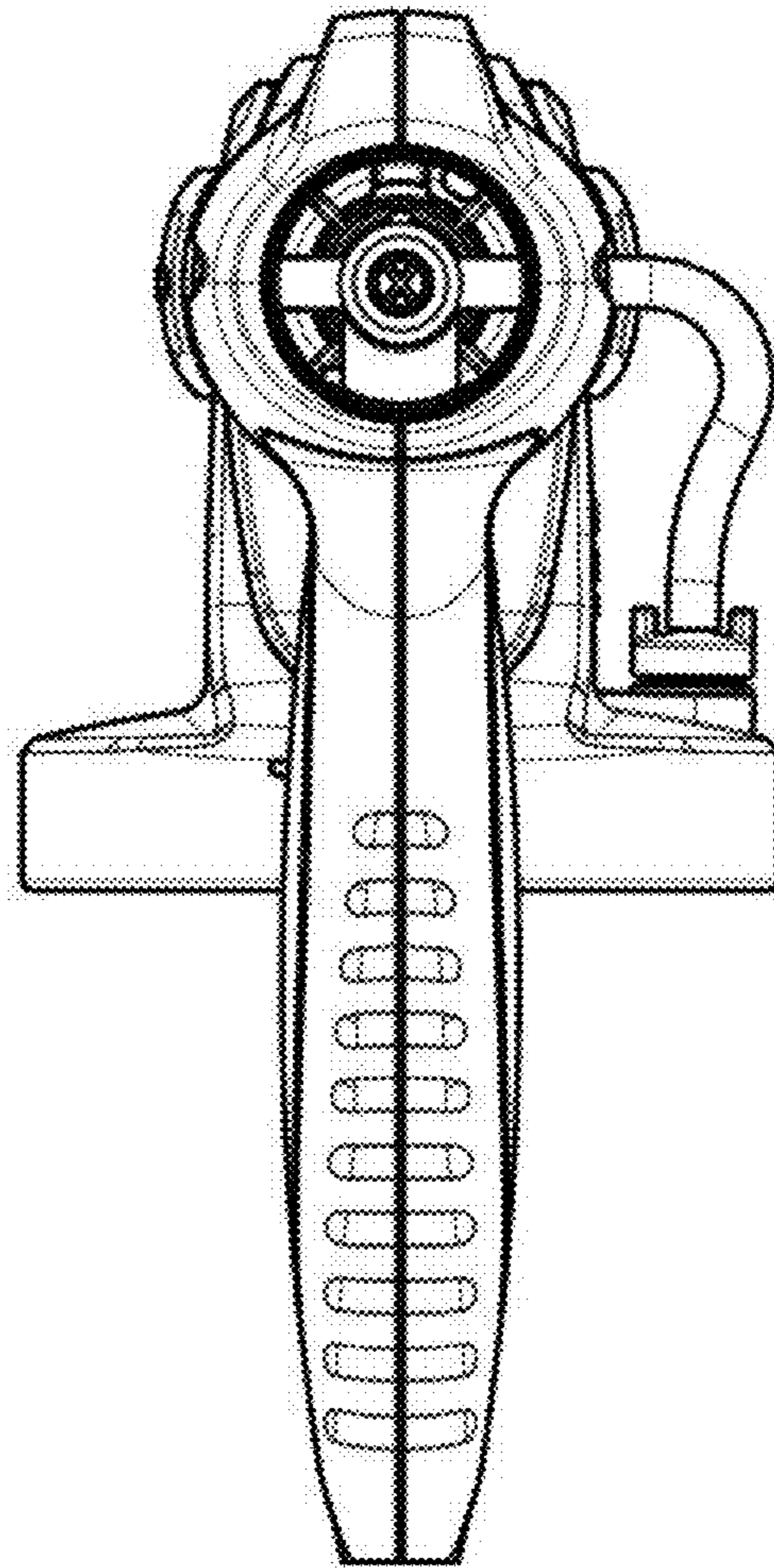


Fig. 5

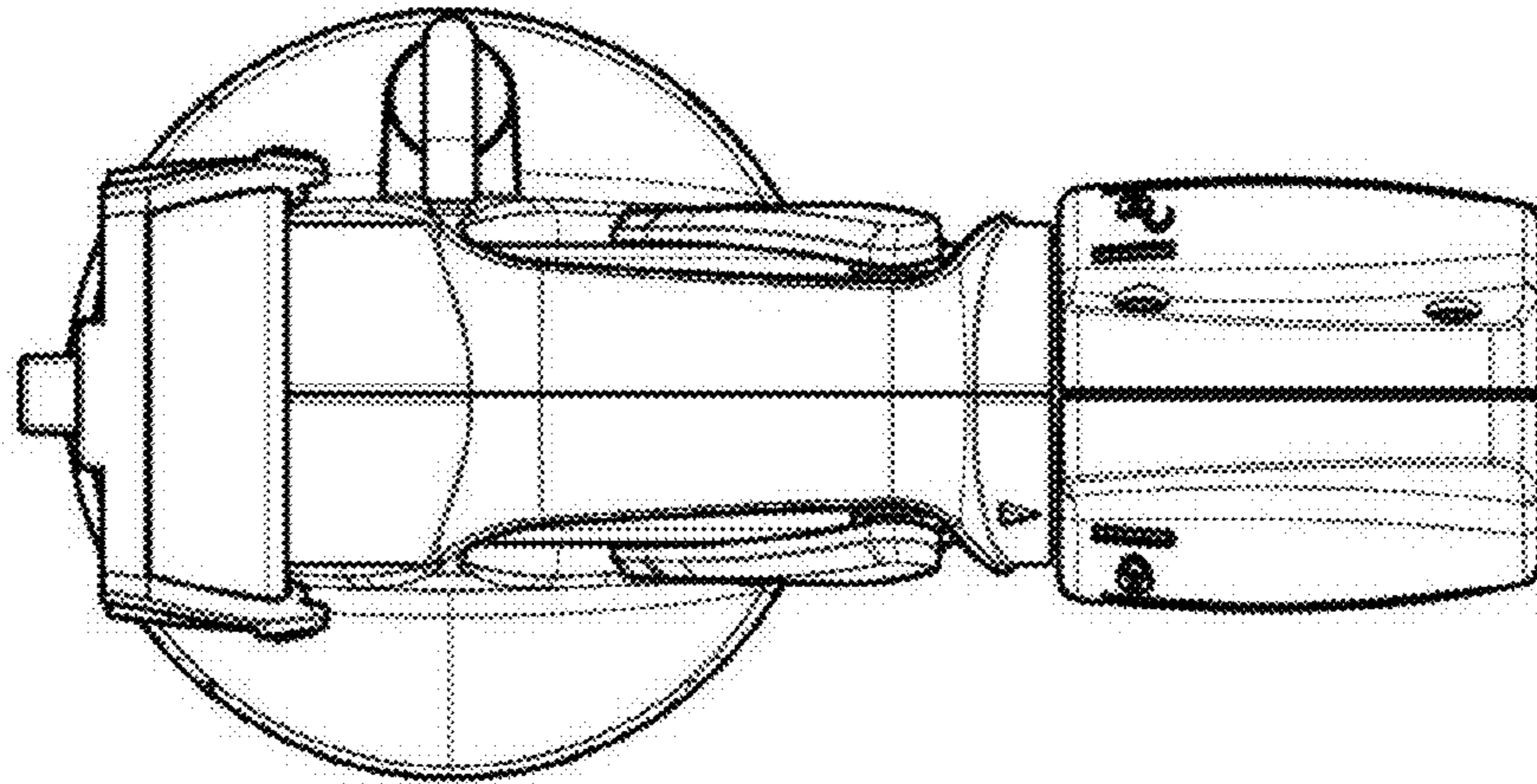


Fig. 6

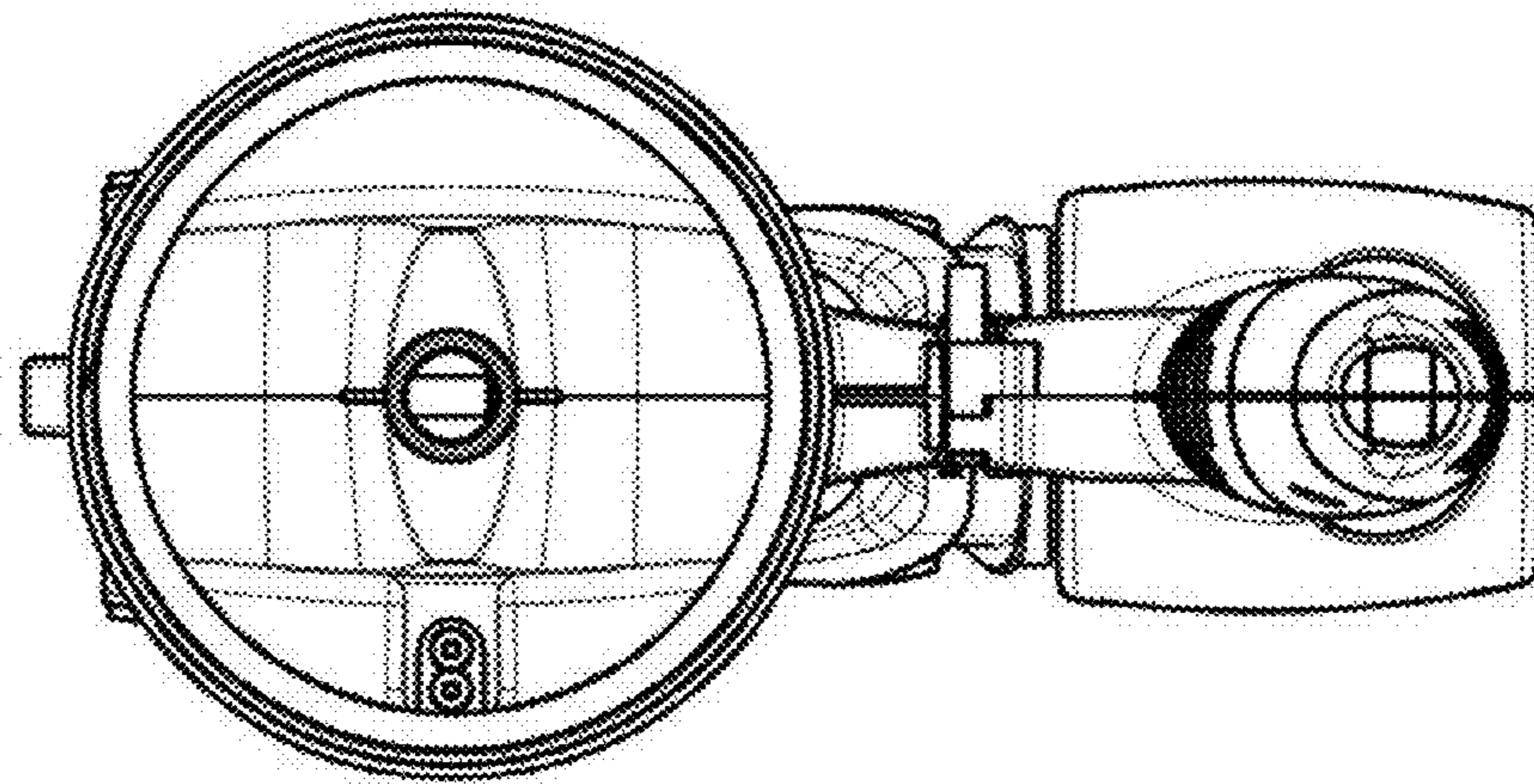


Fig. 7



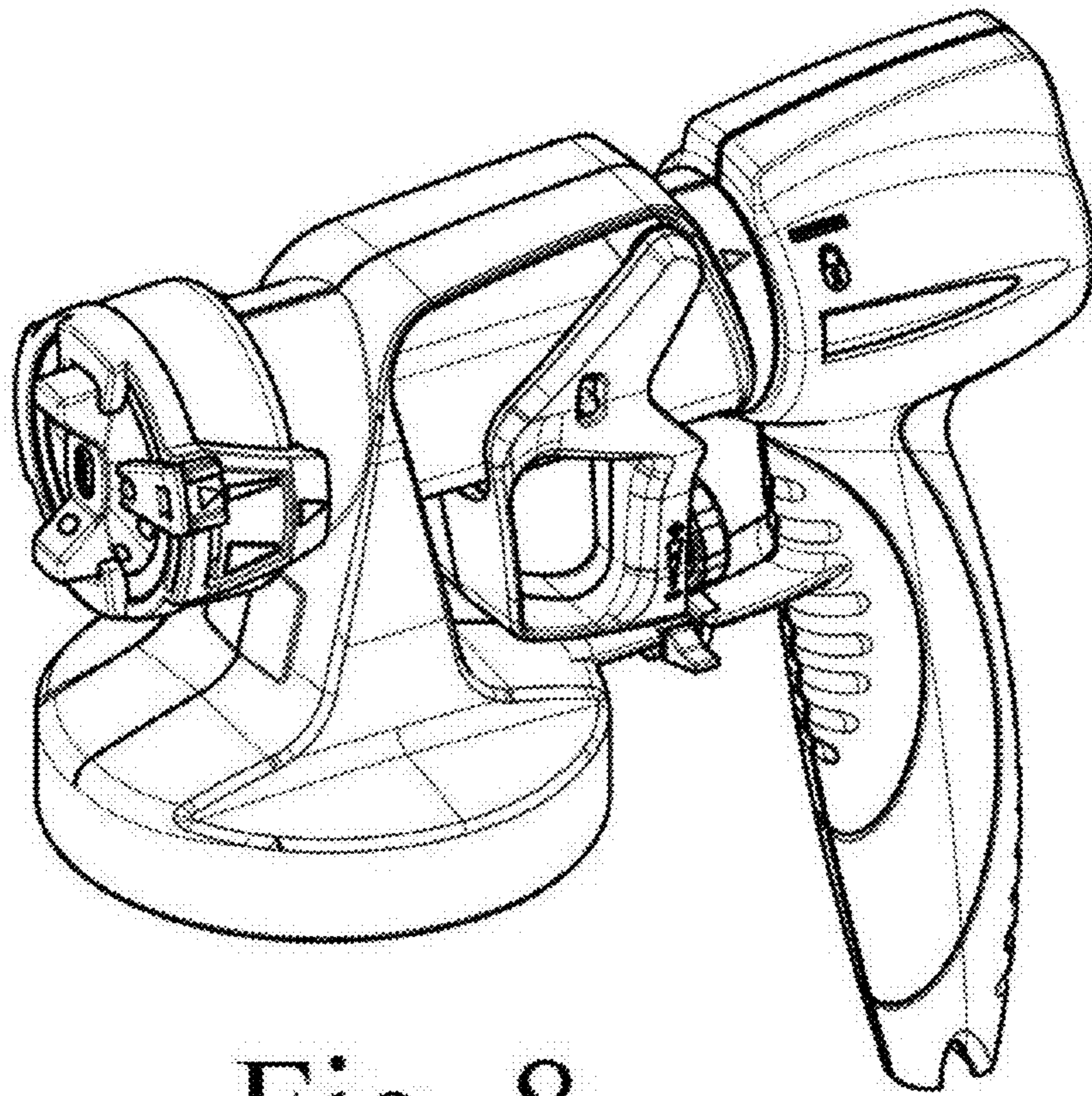


Fig. 8

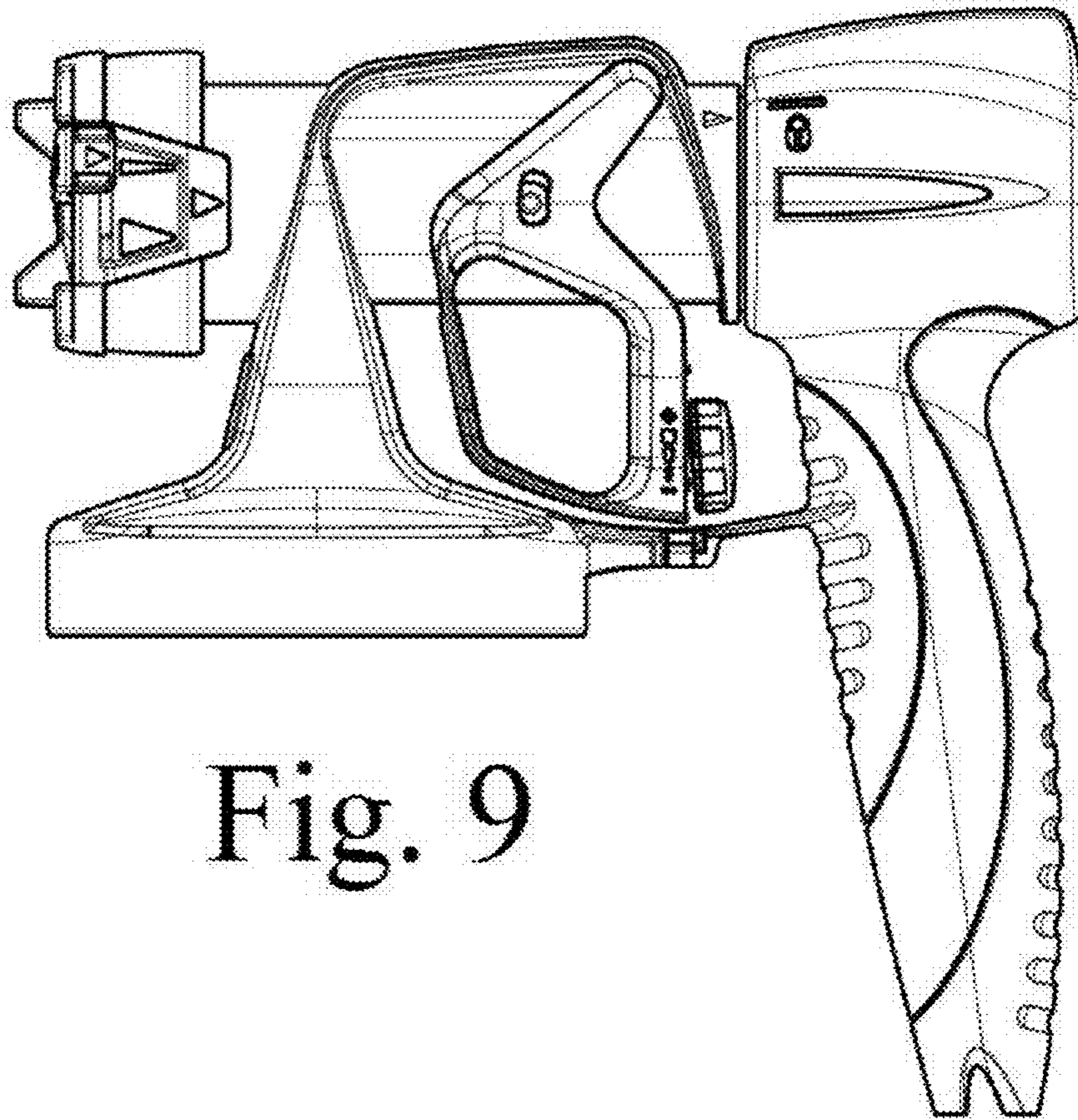


Fig. 9

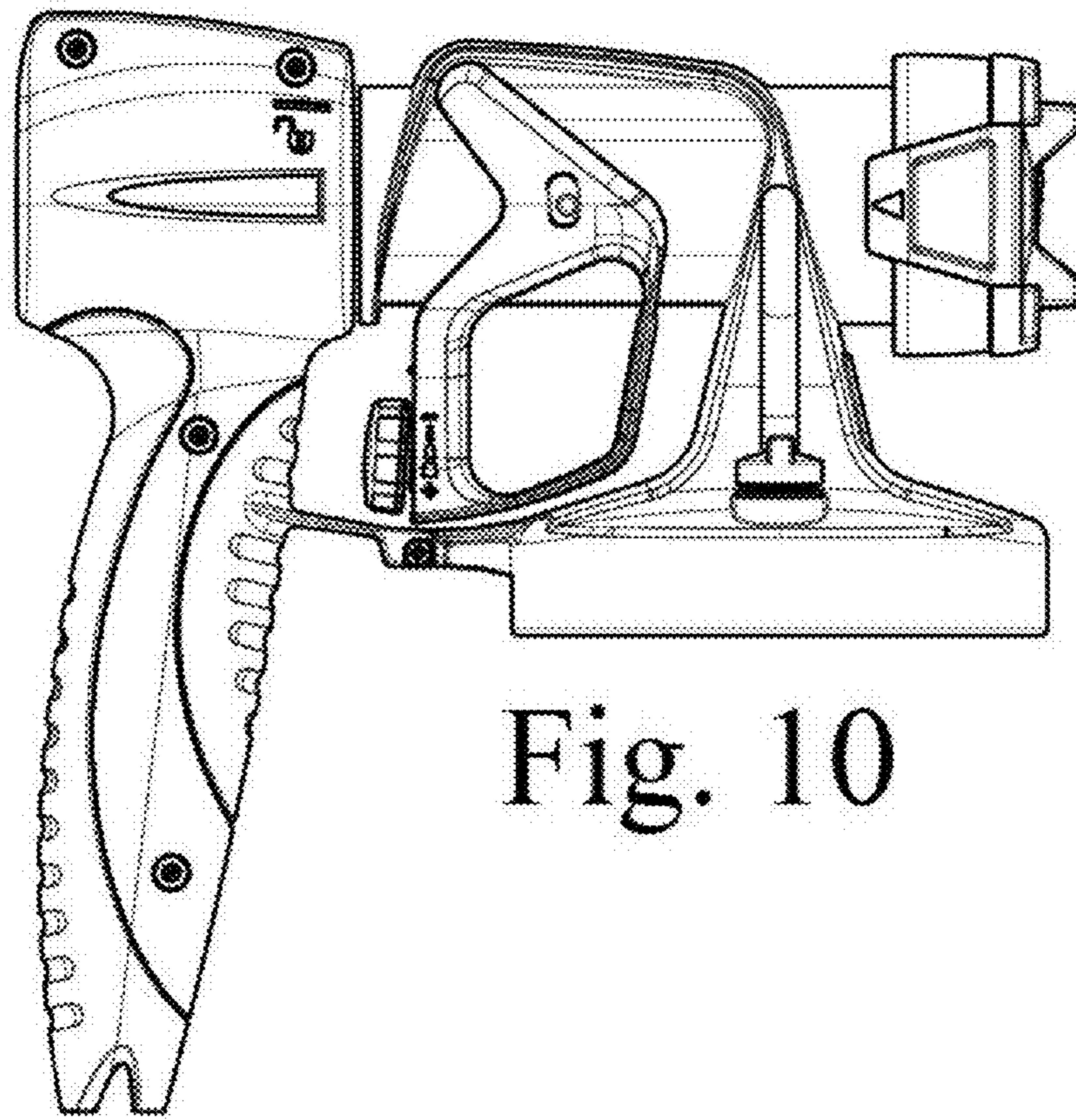


Fig. 10

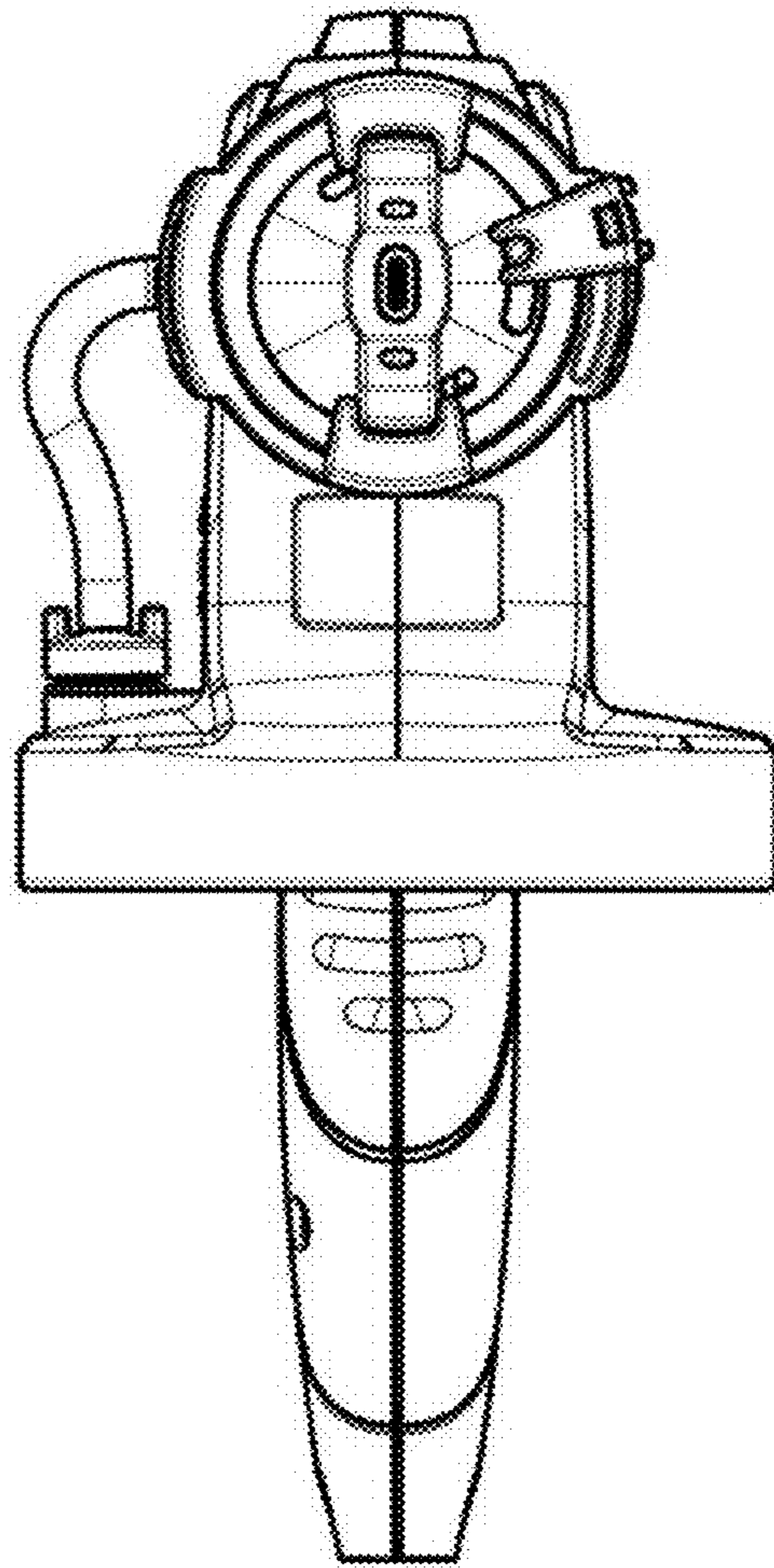


Fig. 11

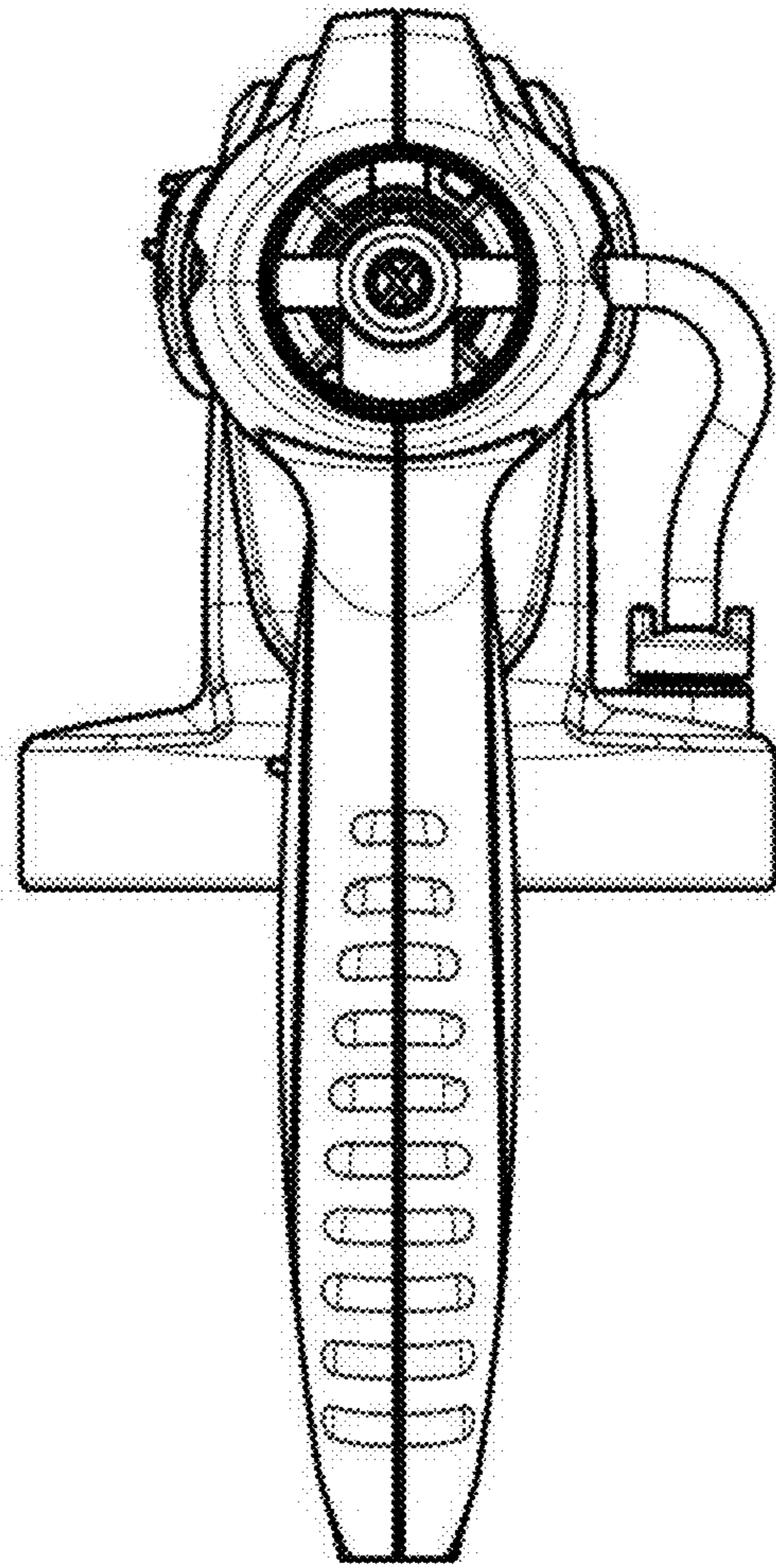


Fig. 12

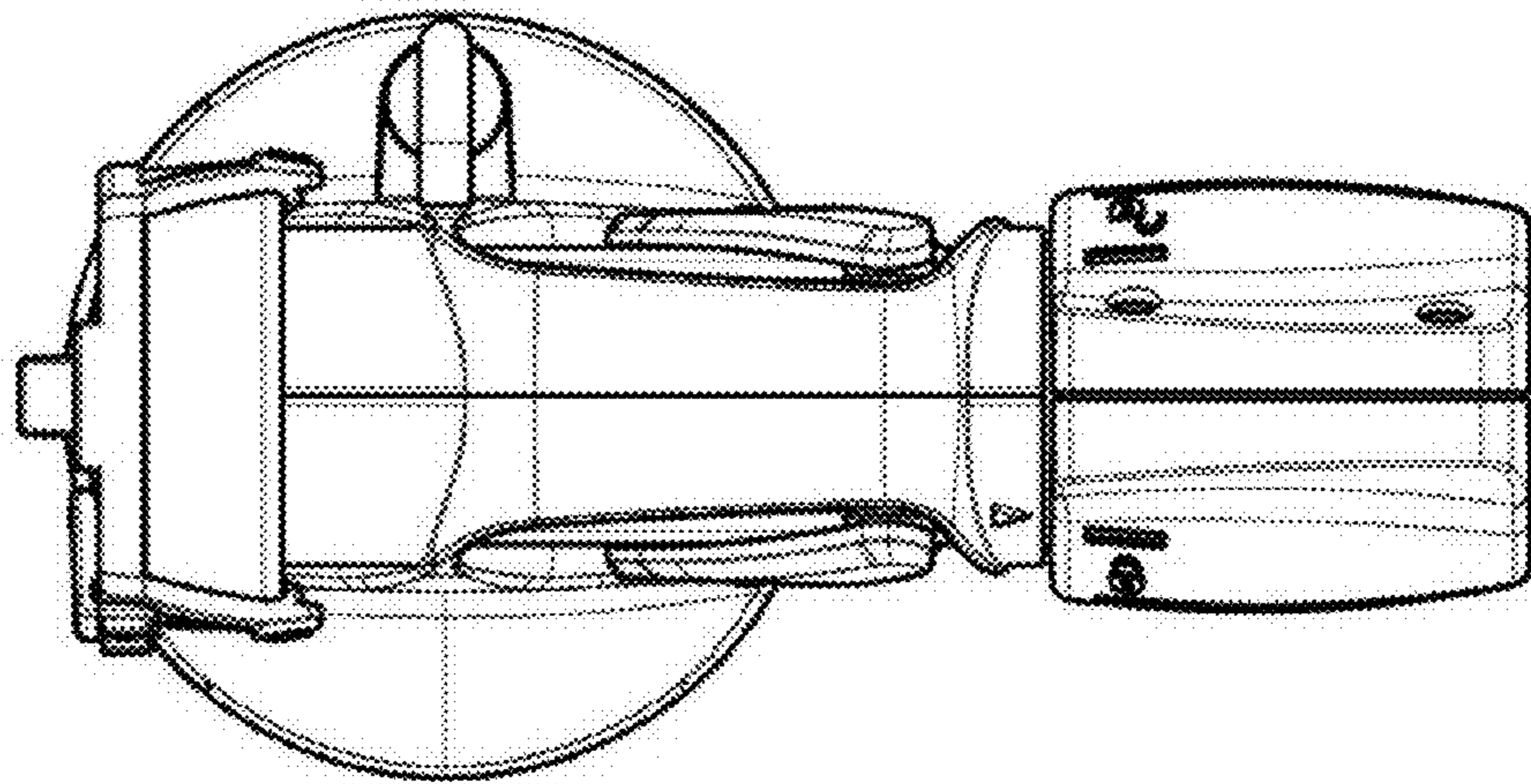


Fig. 13

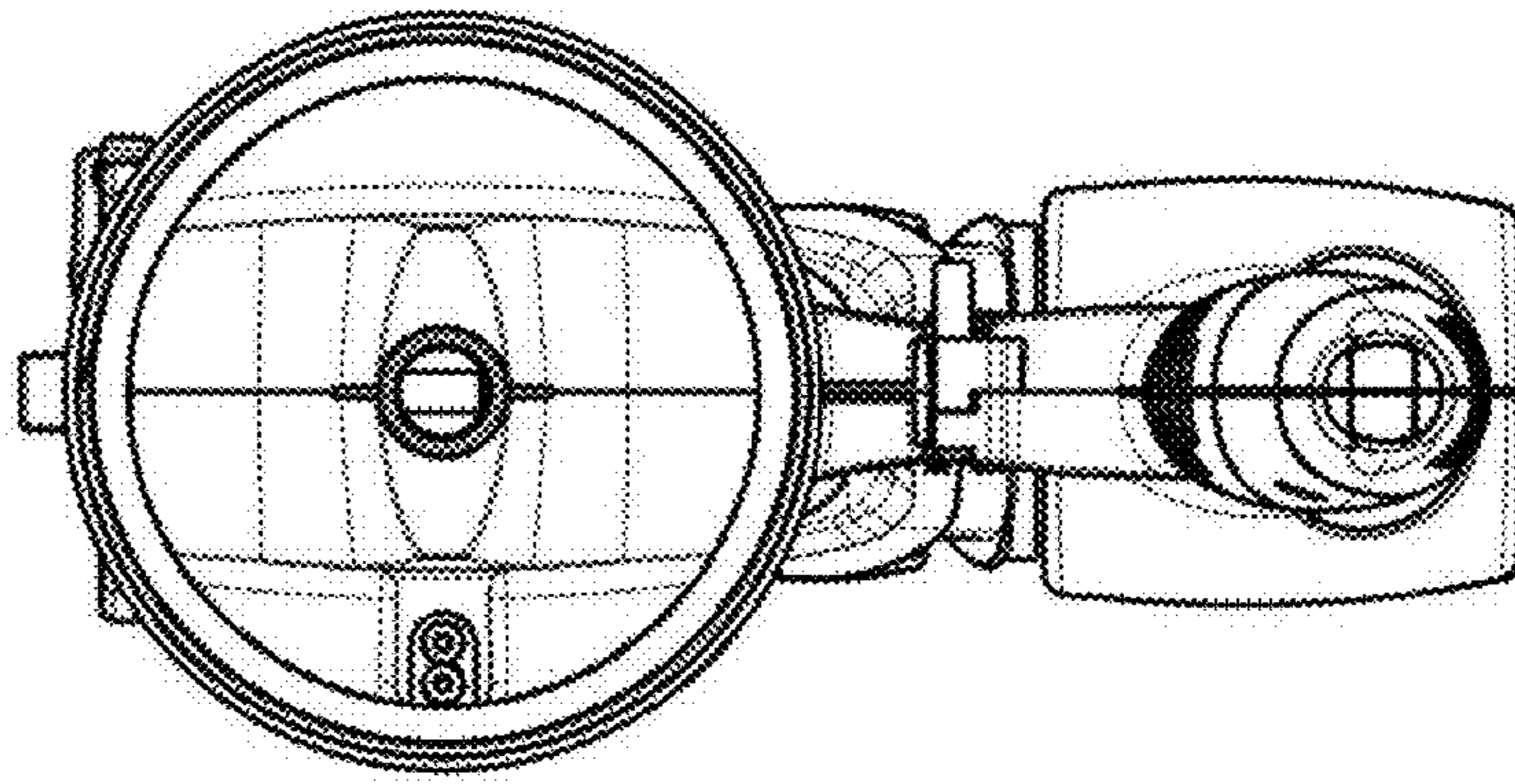


Fig. 14