



US00D698006S

(12) **United States Design Patent**
Yamodo

(10) **Patent No.:** **US D698,006 S**
(45) **Date of Patent:** **** Jan. 21, 2014**

(54) **FAN NOZZLE WITH DIRECTIONAL BLADES**

(75) Inventor: **Innocent Herve Yamodo**, Cambridge, MA (US)

(73) Assignee: **Innocent Herve Yamodo**, Cambridge, MA (US)

(**) Term: **14 Years**

(21) Appl. No.: **29/422,549**

(22) Filed: **May 22, 2012**

(51) **LOC (10) Cl.** **23-01**

(52) **U.S. Cl.**
USPC **D23/213**

(58) **Field of Classification Search**
USPC D23/213, 223, 226; 239/459, 597-600
See application file for complete search history.

(56) **References Cited**

U.S. PATENT DOCUMENTS

612,433 A * 10/1898 Orford 239/516
752,803 A * 2/1904 Ross 239/553.5
1,239,681 A * 9/1917 English 239/434

(Continued)

Primary Examiner — Robin V Webster

(57) **CLAIM**

The ornamental design for a fan nozzle with directional blades, as shown and described.

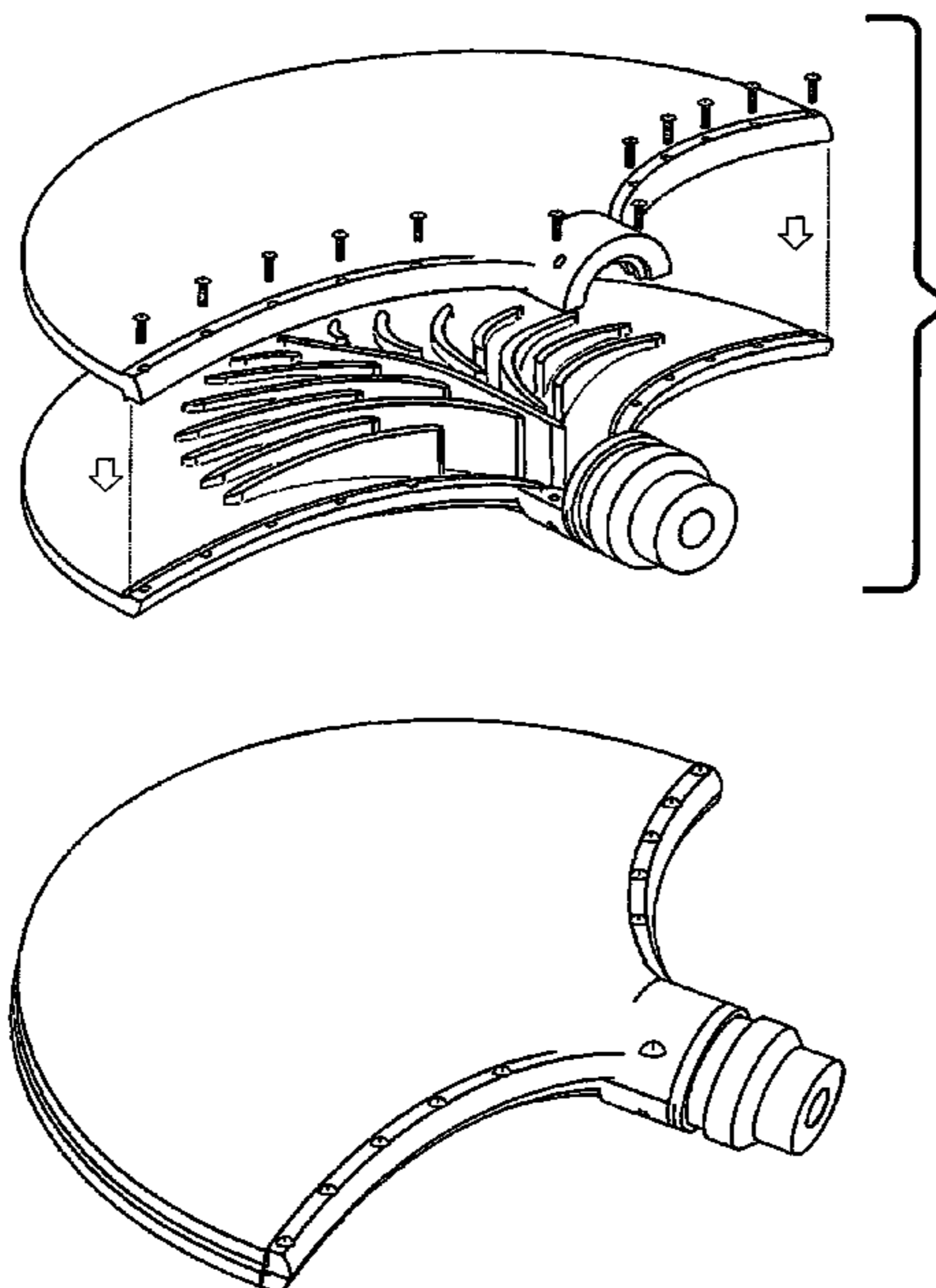
DESCRIPTION

FIG. 1 is a top view of the bottom part of a curved fan nozzle with directional blades showing my new design;

FIG. 2 is a front view of the bottom part thereof;
FIG. 3 is a left side view of the bottom part thereof;
FIG. 4 is a front, top perspective view of the bottom part thereof;
FIG. 5 is a bottom view of the top part of a curved fan nozzle with directional blades showing my new design;
FIG. 6 is a front view of the top part thereof;
FIG. 7 is a left side view of the top part thereof;
FIG. 8 is a front, bottom perspective view of the top part thereof;
FIG. 9 is a front, top perspective view of the top part thereof;
FIG. 10 is a top view of the top part thereof;
FIG. 11 is a front view of the top and bottom parts in exploded view;
FIG. 12 is a front view of the top and bottom parts assembled;
FIG. 13 is a top perspective view of the top and bottom parts in exploded view;
FIG. 14 is a top perspective view of the top and bottom parts assembled;
FIG. 15 is a left side view of the top and bottom parts in exploded view;
FIG. 16 is a top side view of the top and bottom parts assembled;
FIG. 17 is a bottom perspective view of the top and bottom parts in exploded view;
FIG. 18 is a bottom perspective view of the top and bottom parts assembled;
FIG. 19 is a top view of the top and bottom parts assembled;
FIG. 20 is a longitudinal cut view of the top and bottom parts assembled; and,
FIG. 21 is a transversal cut view of the top and bottom parts assembled.

The broken lines which define the boundaries of the claimed design form no part of the claimed design. The arrows which define the direction of the top part being attached to the bottom part of the nozzle form no part of the claimed design.

1 Claim, 17 Drawing Sheets



(56)

References Cited

U.S. PATENT DOCUMENTS

2,039,217 A * 4/1936 Goddard 239/590
2,249,274 A * 7/1941 Faine 239/556
2,655,408 A * 10/1953 Williams 239/592

D195,539 S * 6/1963 Williams D23/213
3,144,211 A * 8/1964 Goldman 239/532
D432,629 S * 10/2000 Jacobs D23/226
7,669,780 B2 * 3/2010 Sugano et al. 239/11
7,748,650 B1 * 7/2010 Sloan 239/593

* cited by examiner

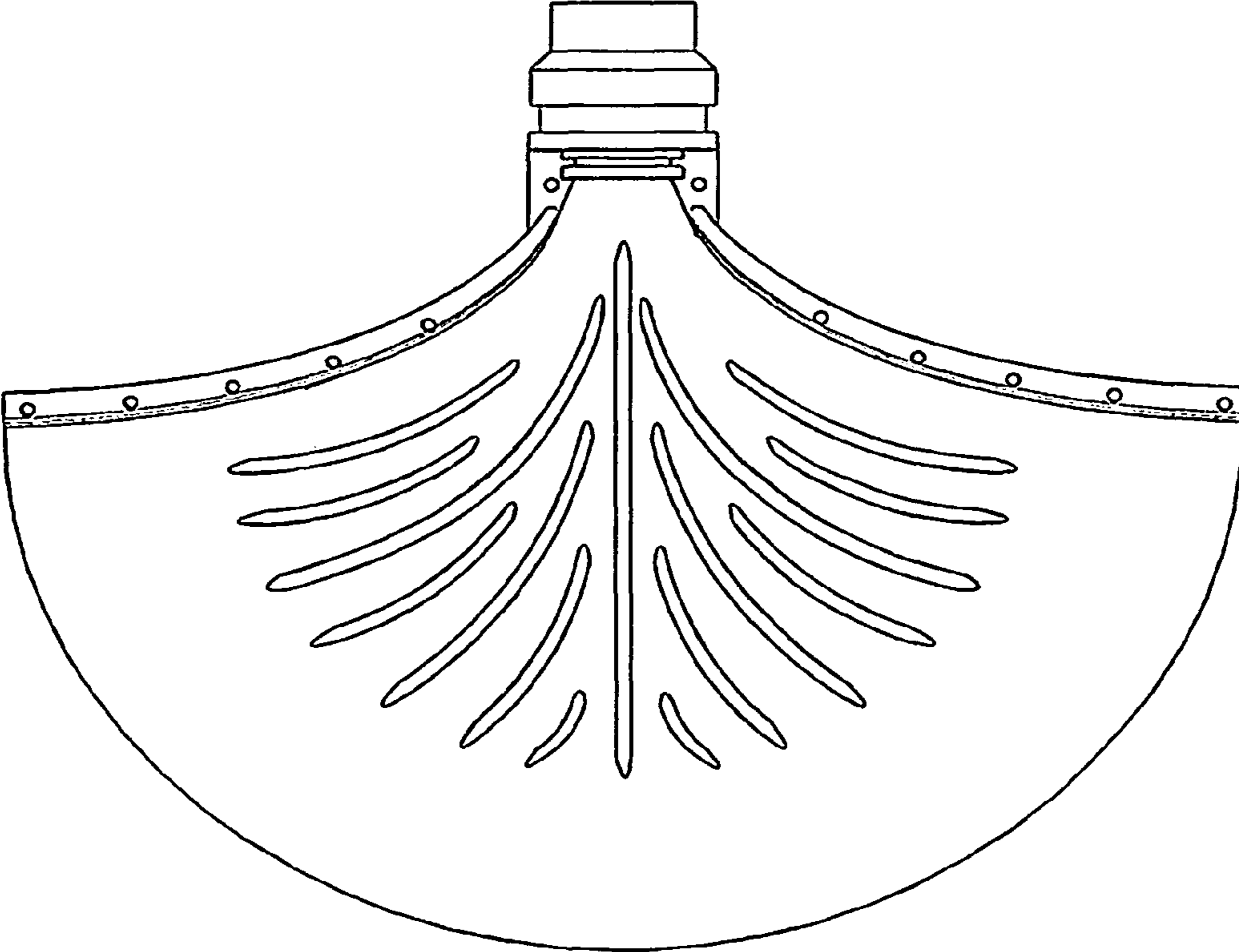


FIG. 1

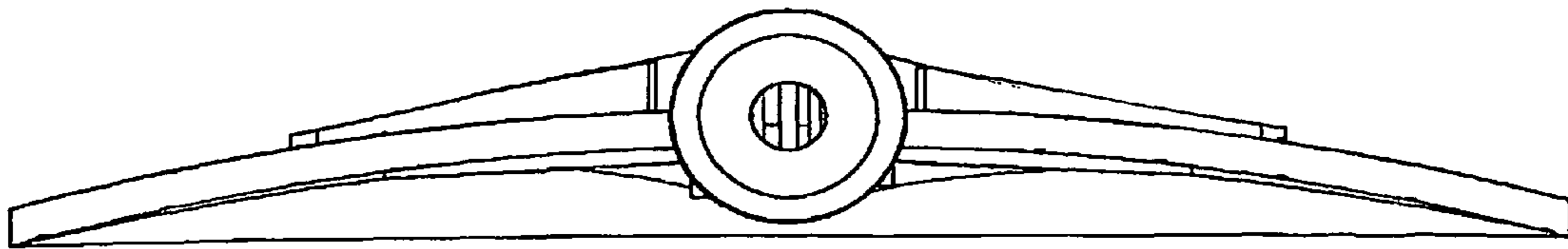


FIG. 2

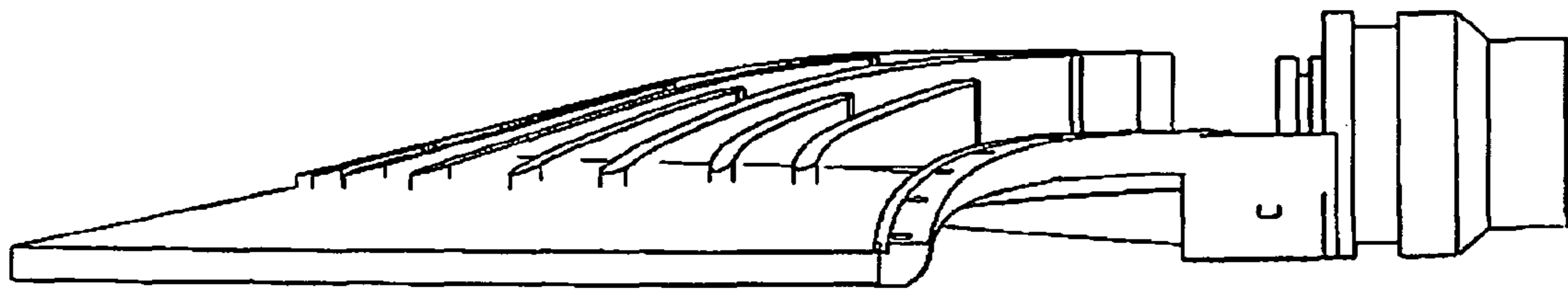


FIG. 3

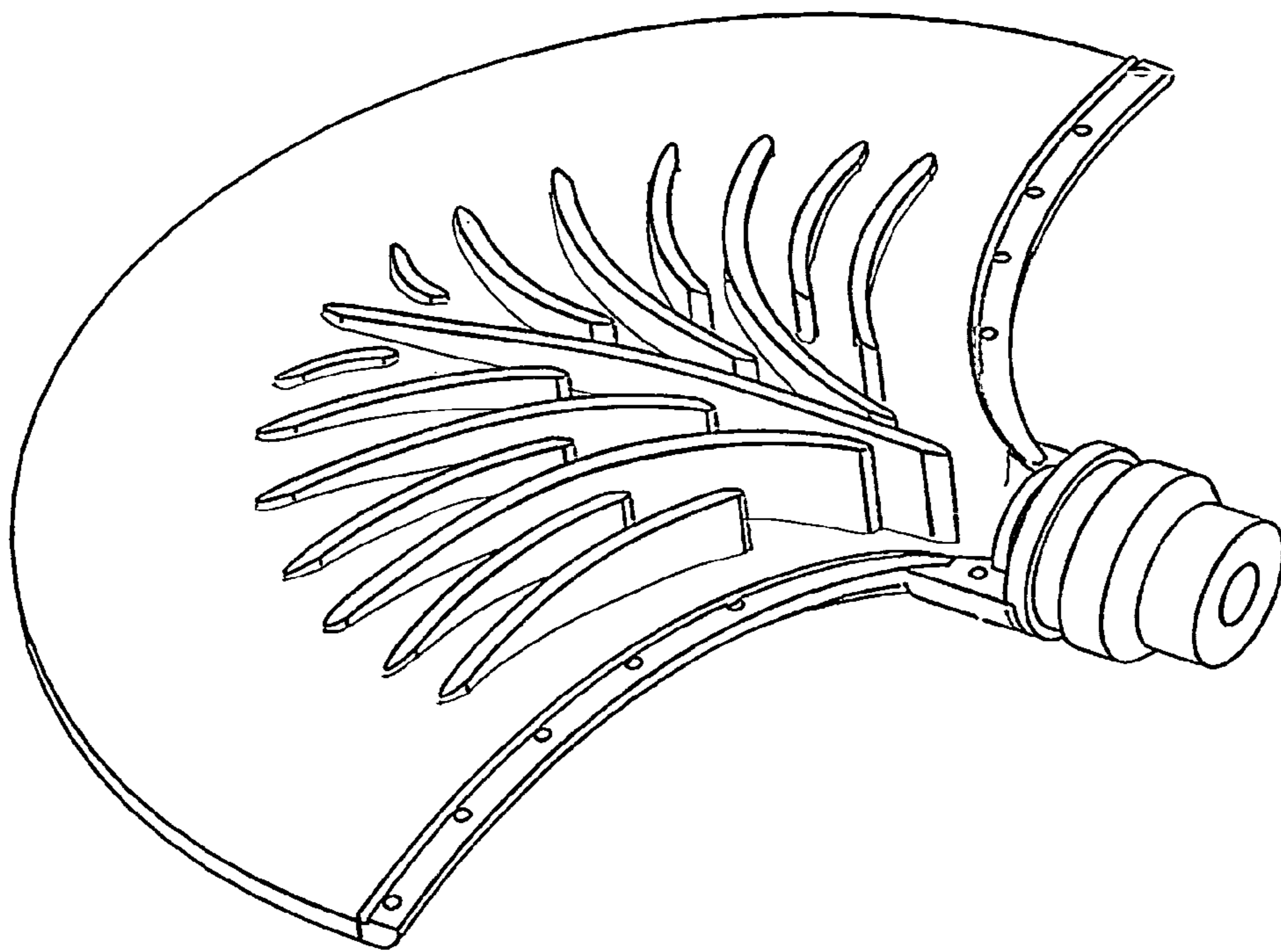


FIG. 4

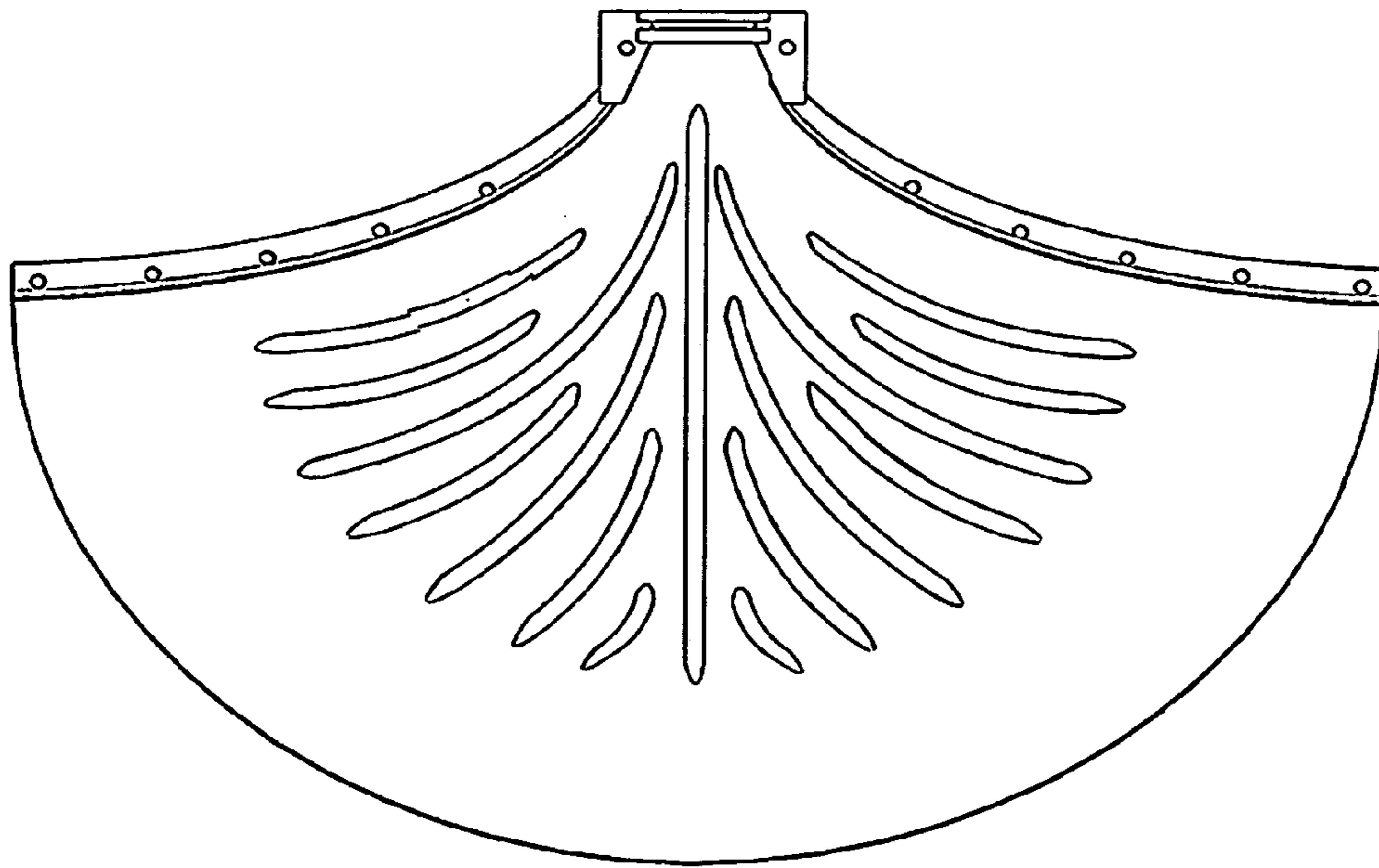


FIG. 5

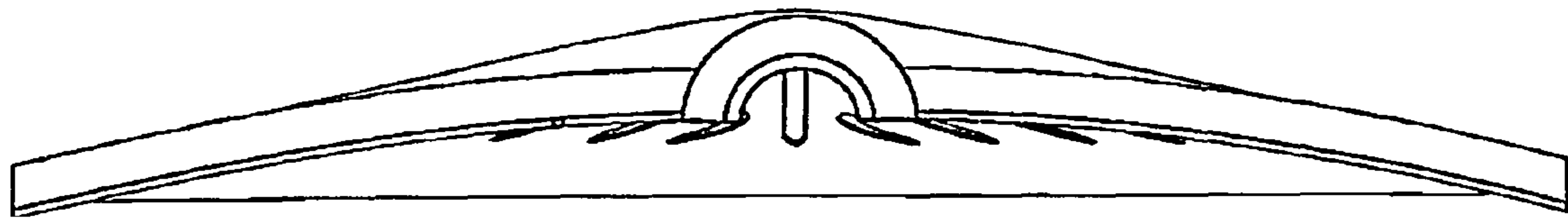


FIG. 6



FIG. 7

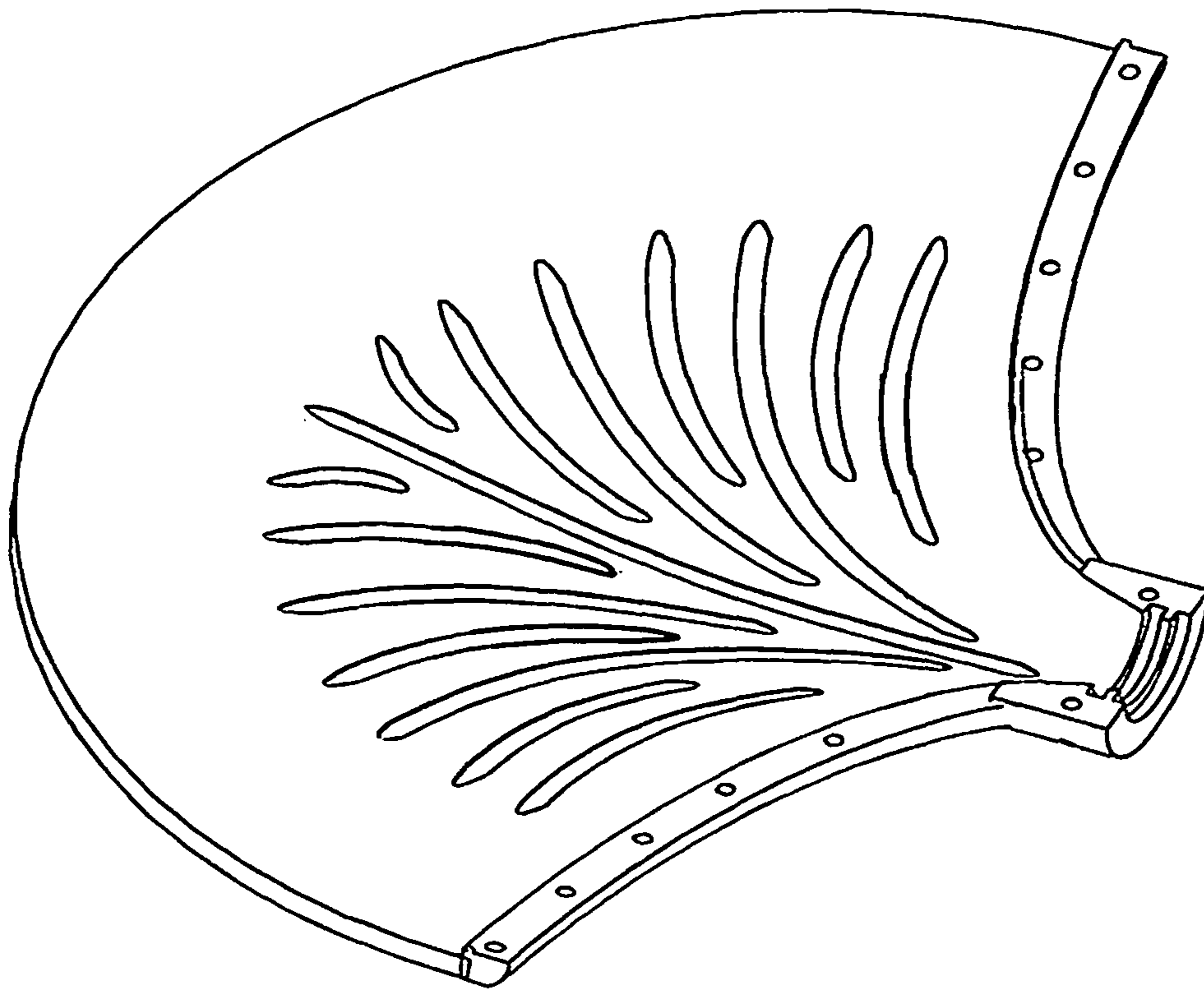


FIG. 8

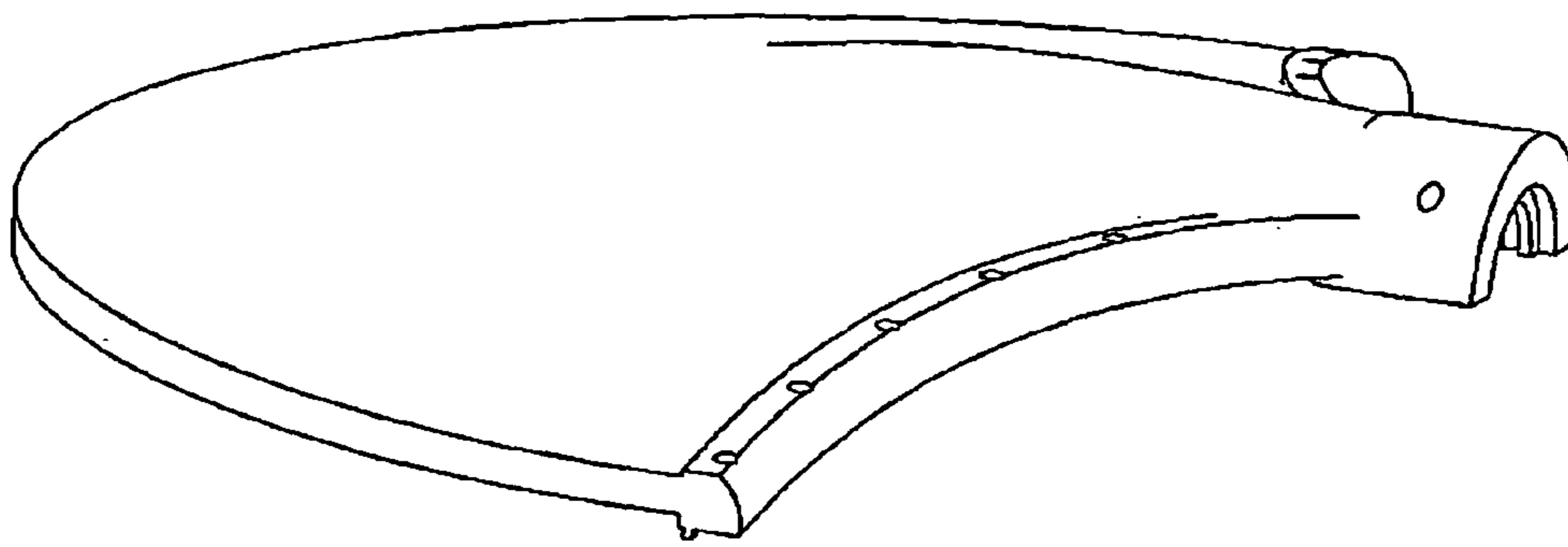


FIG. 9

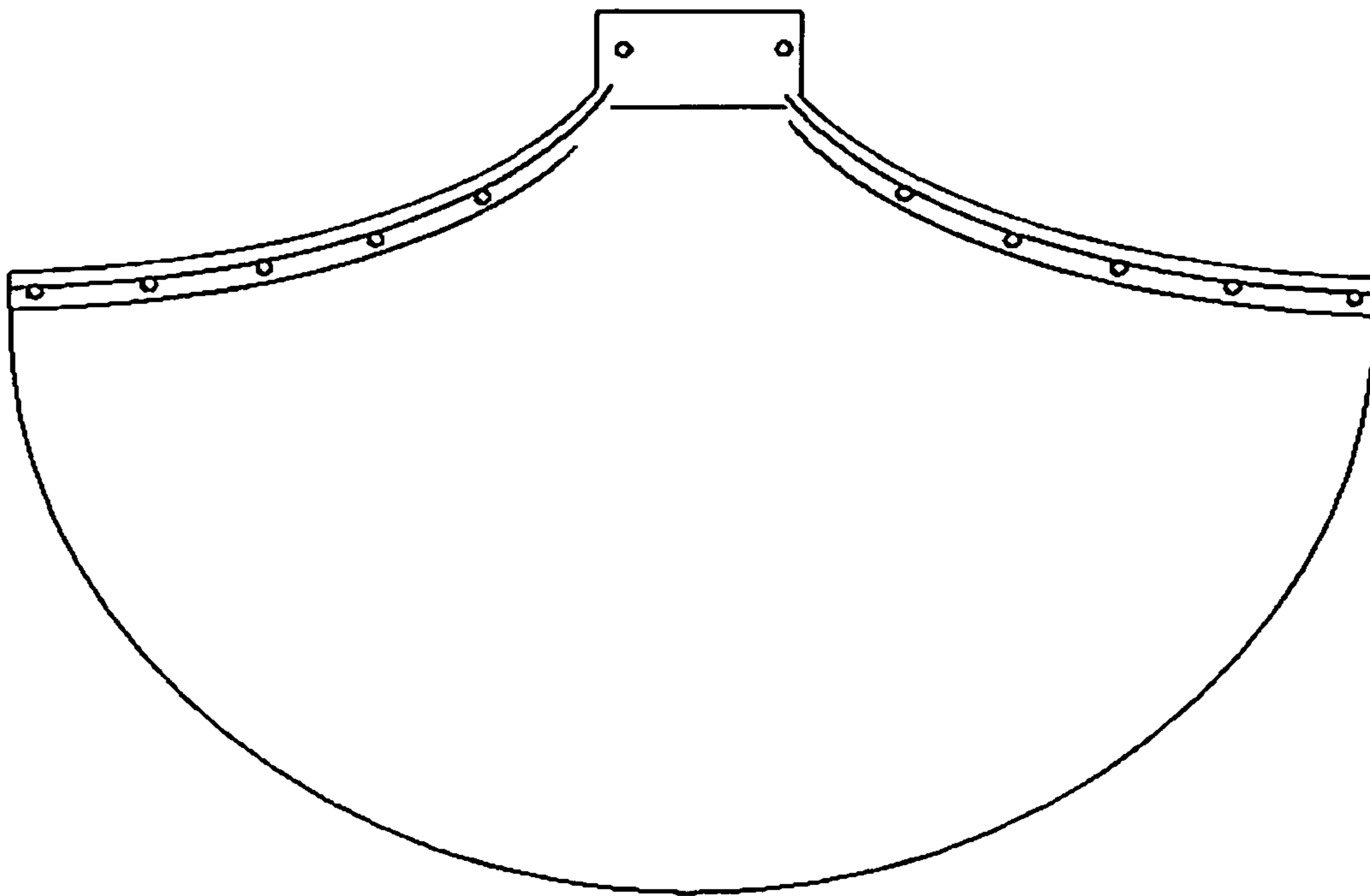


FIG. 10

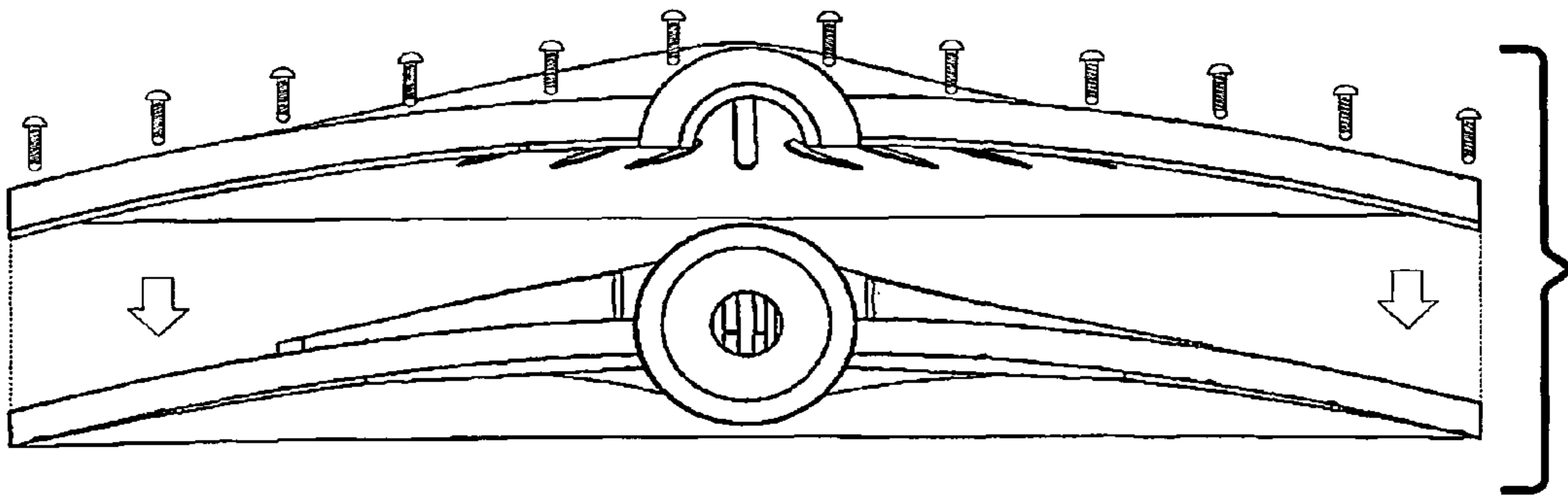


FIG. 11

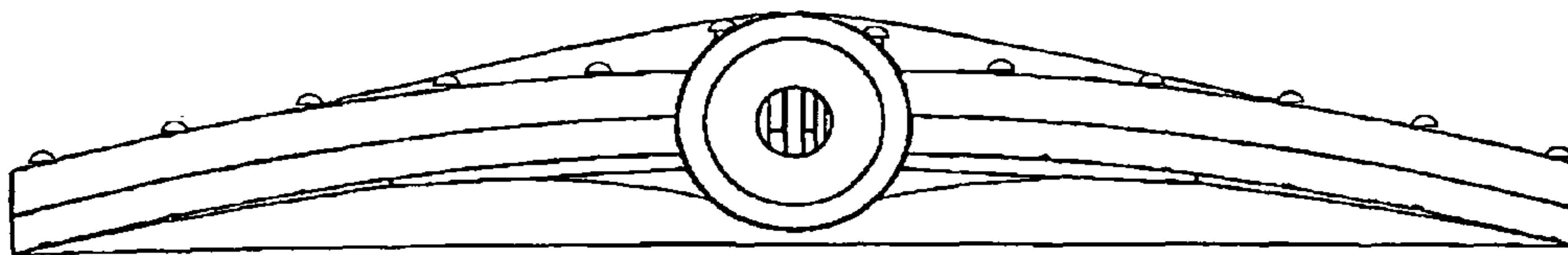


FIG. 12

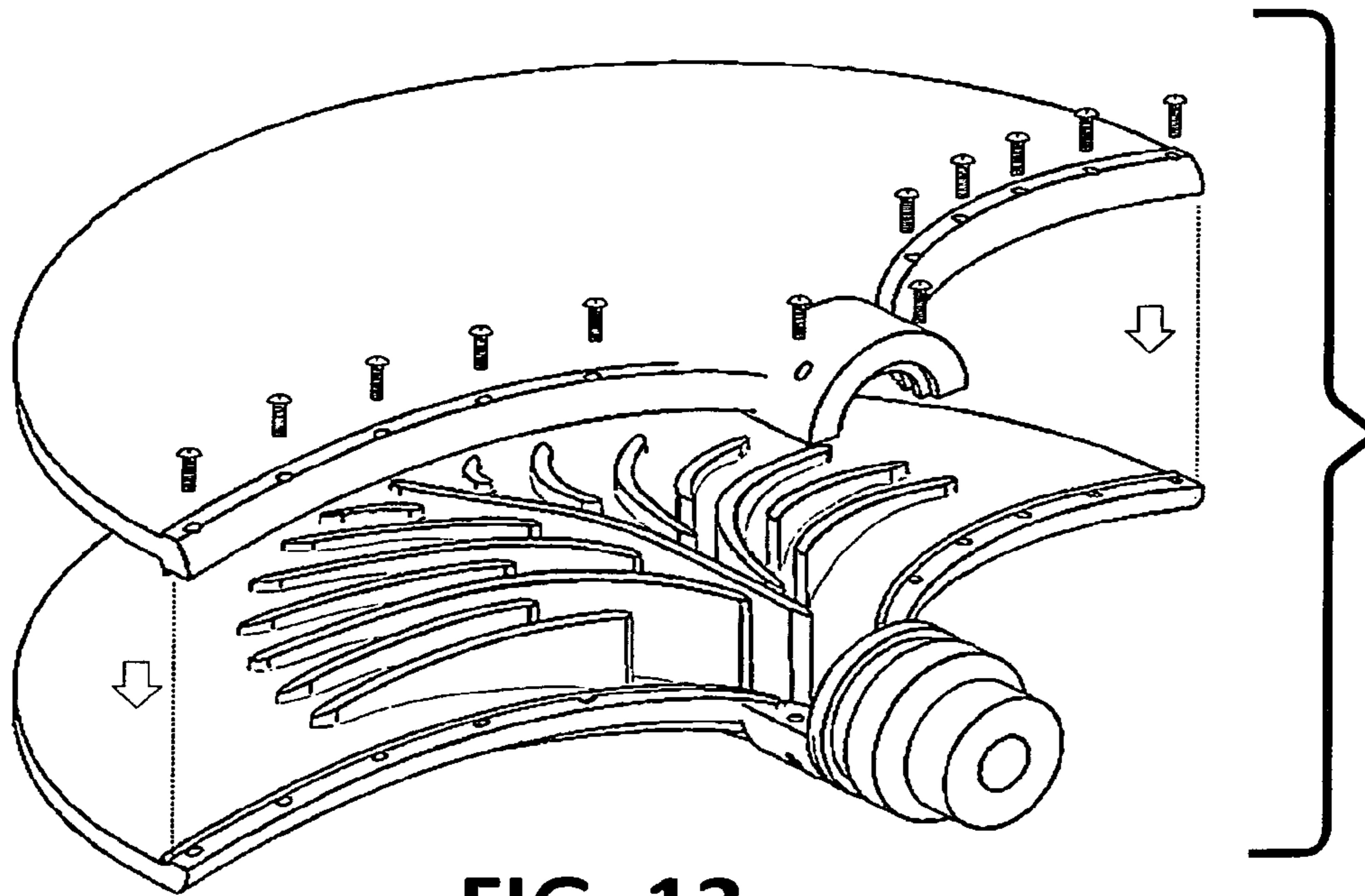


FIG. 13

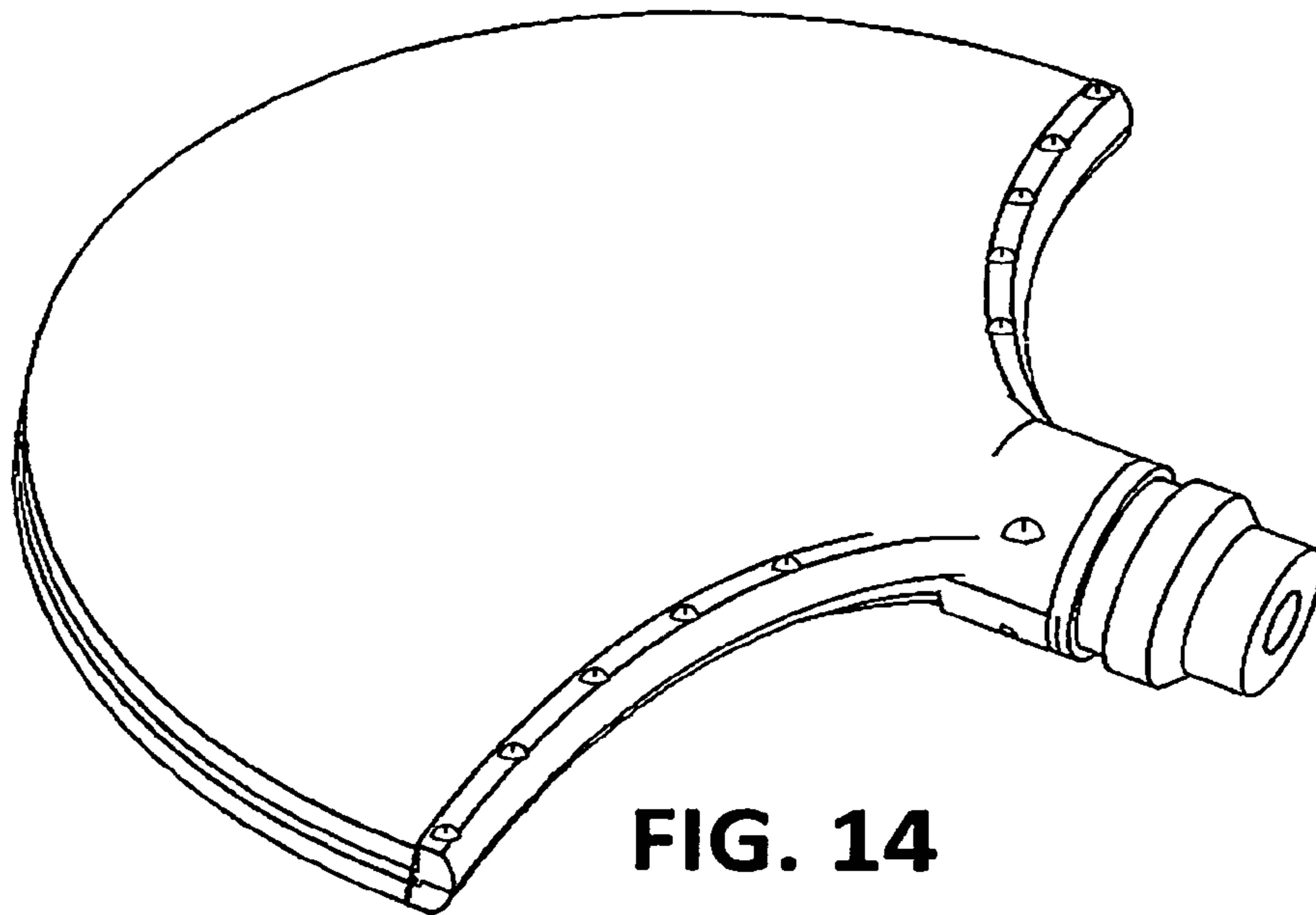


FIG. 14

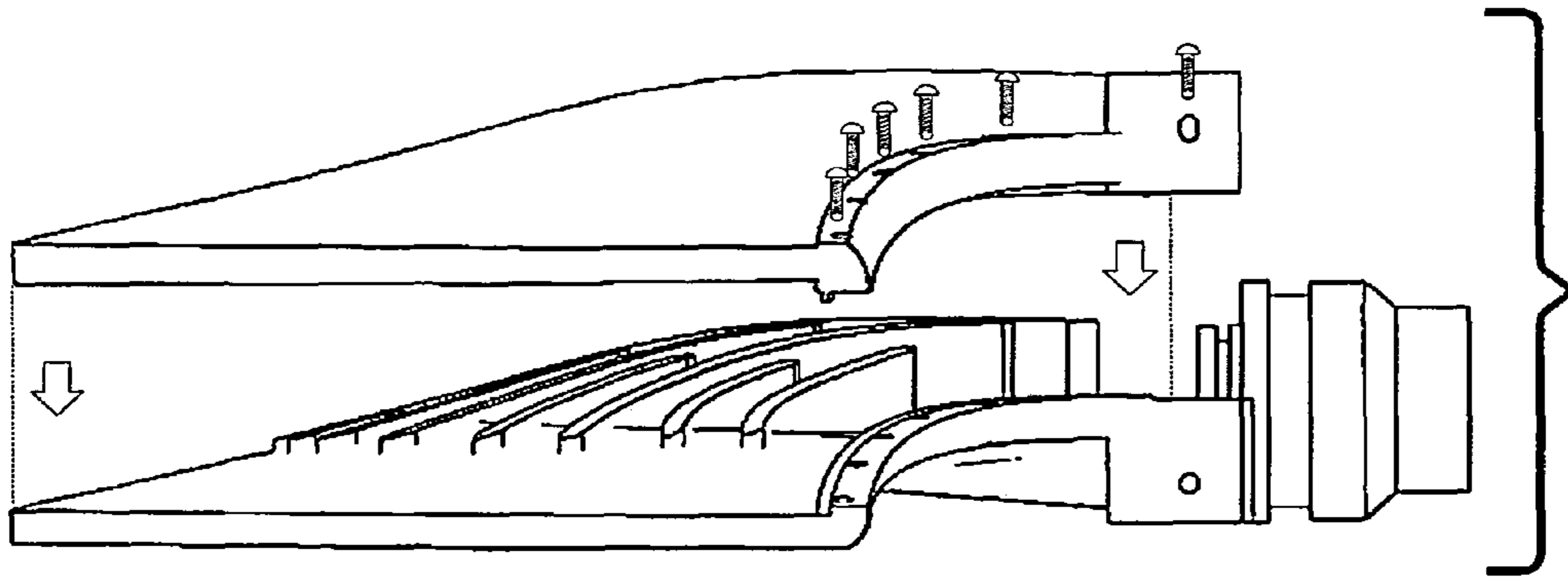


FIG. 15

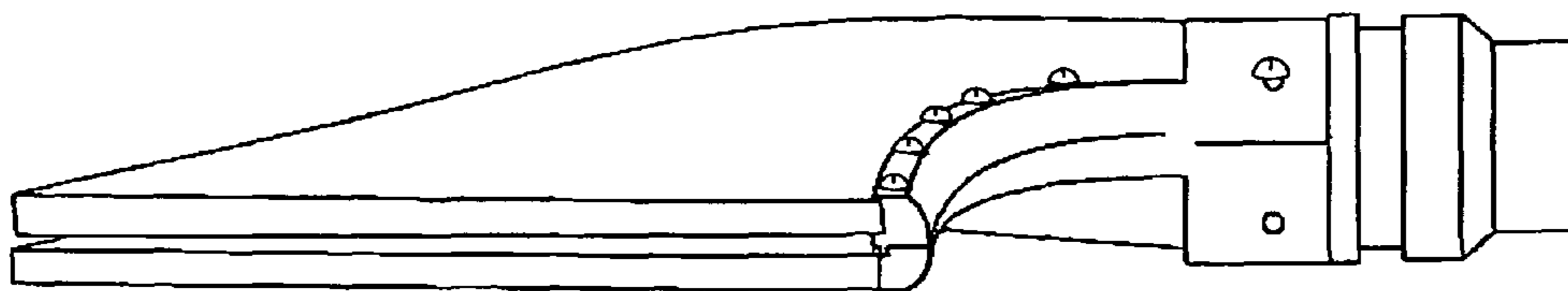


FIG. 16

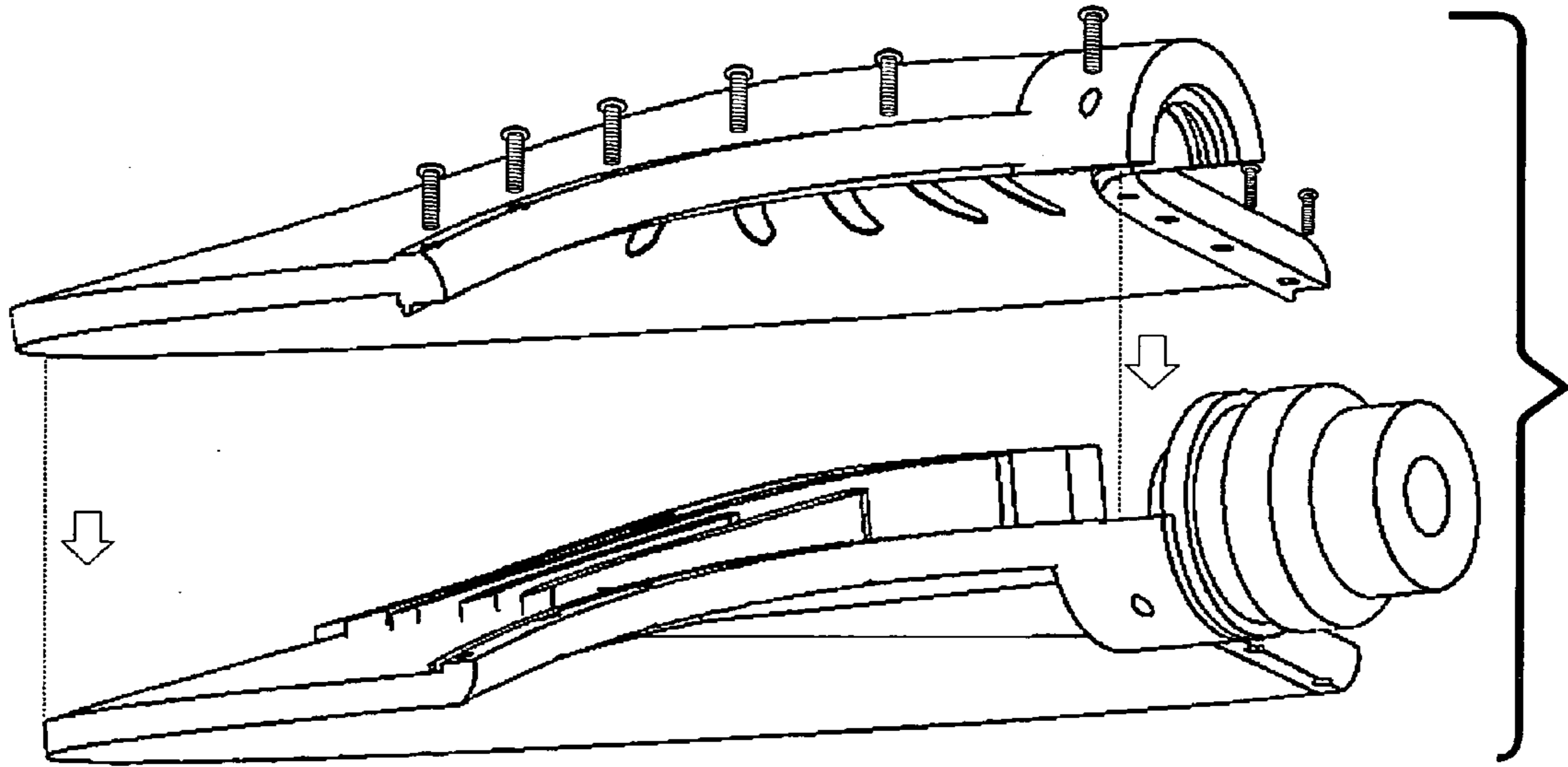


FIG. 17

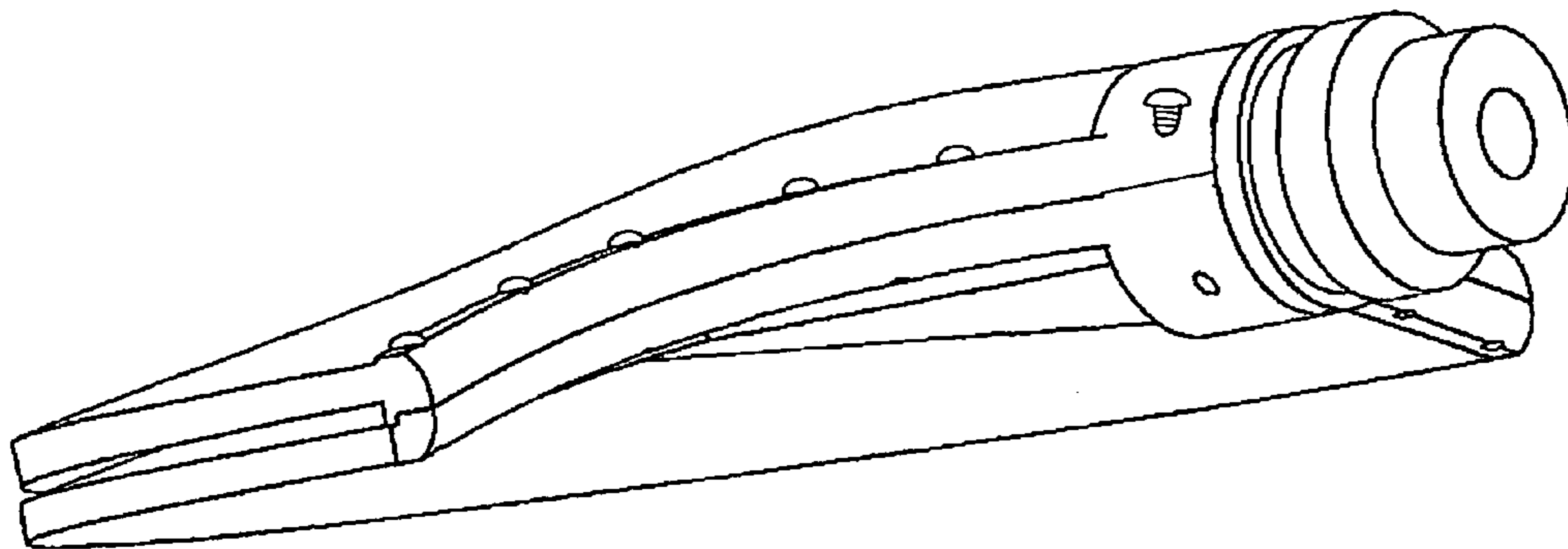


FIG. 18

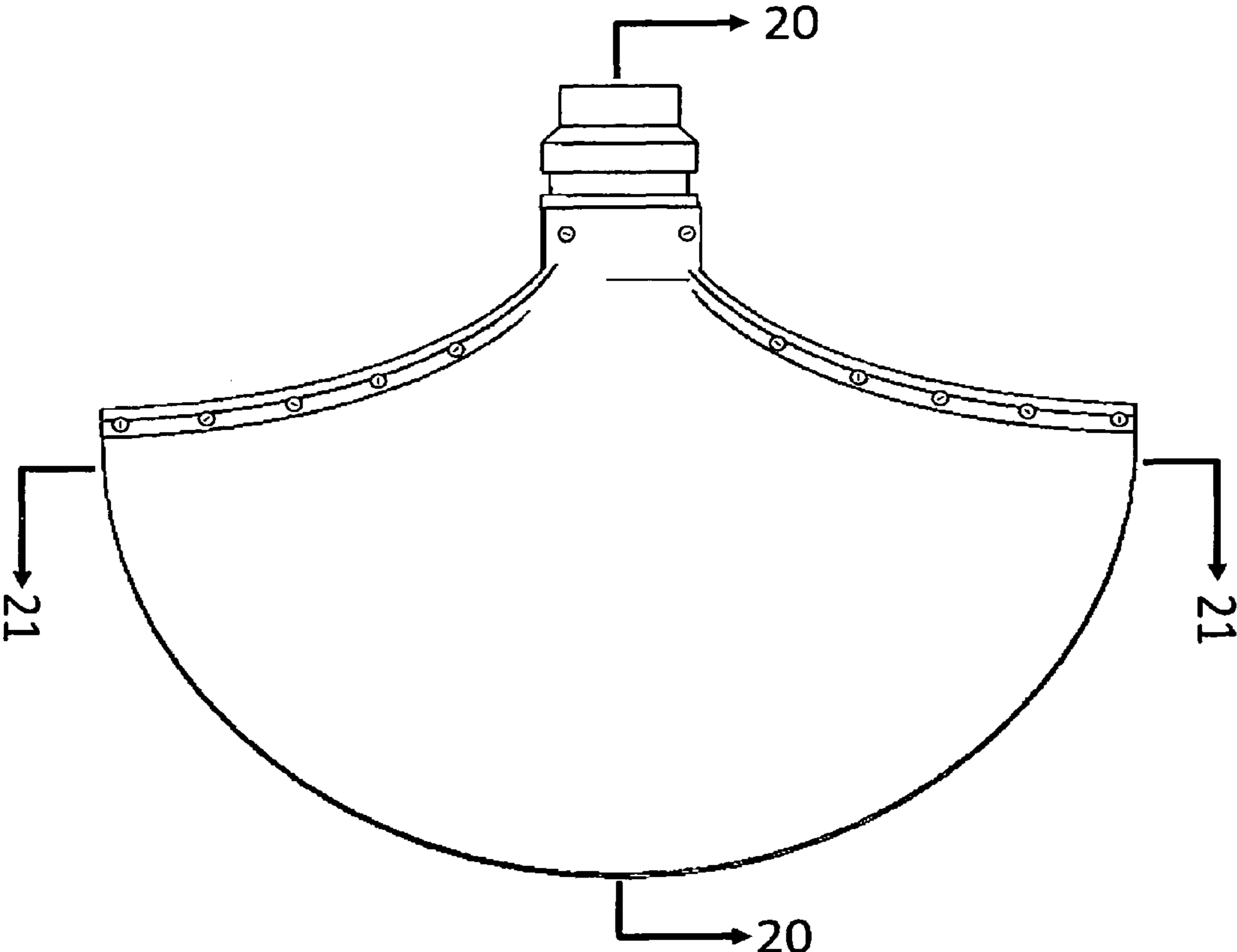


FIG. 19

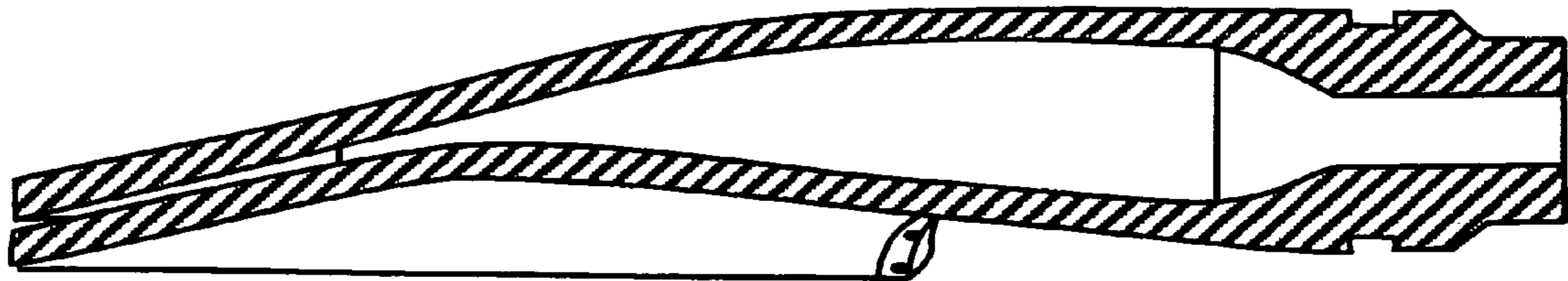


FIG. 20

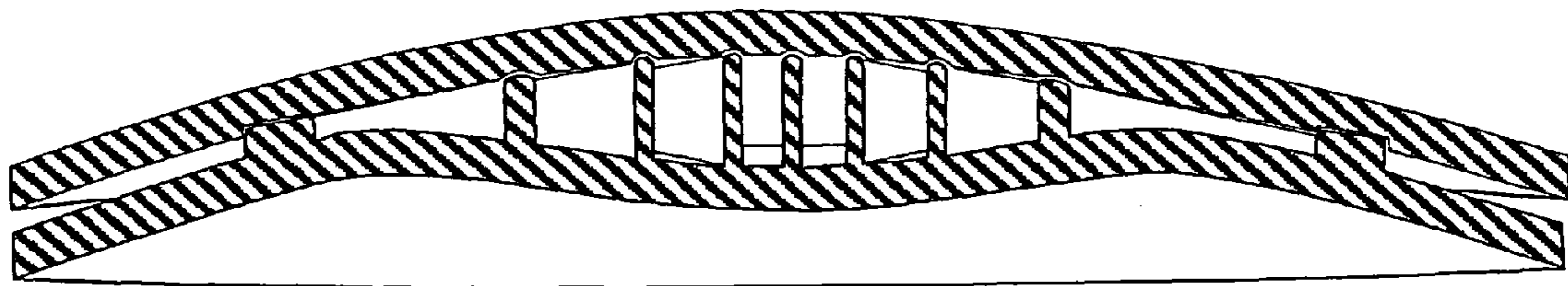


FIG. 21