



US00D698005S

(12) **United States Design Patent**
Rowe

(10) **Patent No.:** **US D698,005 S**
(45) **Date of Patent:** **** Jan. 21, 2014**

(54) **WATER FILTER HOUSING**

(71) Applicant: **Fresh Water Filter Company Limited,**
Norfolk (GB)

(72) Inventor: **Gregory N. Rowe,** Norfolk (GB)

(73) Assignee: **Fresh Water Filter Company,** Norwich,
Norfolk (GB)

(**) Term: **14 Years**

(21) Appl. No.: **29/436,712**

(22) Filed: **Nov. 8, 2012**

(51) **LOC (10) Cl.** **23-01**

(52) **U.S. Cl.**
USPC **D23/209**

(58) **Field of Classification Search**
USPC D23/207-209; 210/449, 459, 460;
137/801

See application file for complete search history.

(56) **References Cited**

U.S. PATENT DOCUMENTS

609,754	A *	8/1898	Chandler	210/448
5,569,380	A *	10/1996	Sullivan	210/266
D507,325	S *	7/2005	McClellan	D23/207
D508,281	S *	8/2005	McClellan	D23/207
D673,242	S	12/2012	Rowe		

* cited by examiner

Primary Examiner — Robin V Webster

(74) *Attorney, Agent, or Firm* — BainwoodHuang

(57) **CLAIM**

The ornamental design for a water filter housing, as shown.

DESCRIPTION

FIG. 1 is a top view of a water filter housing according to my new design;

FIG. 2 is a side view thereof;

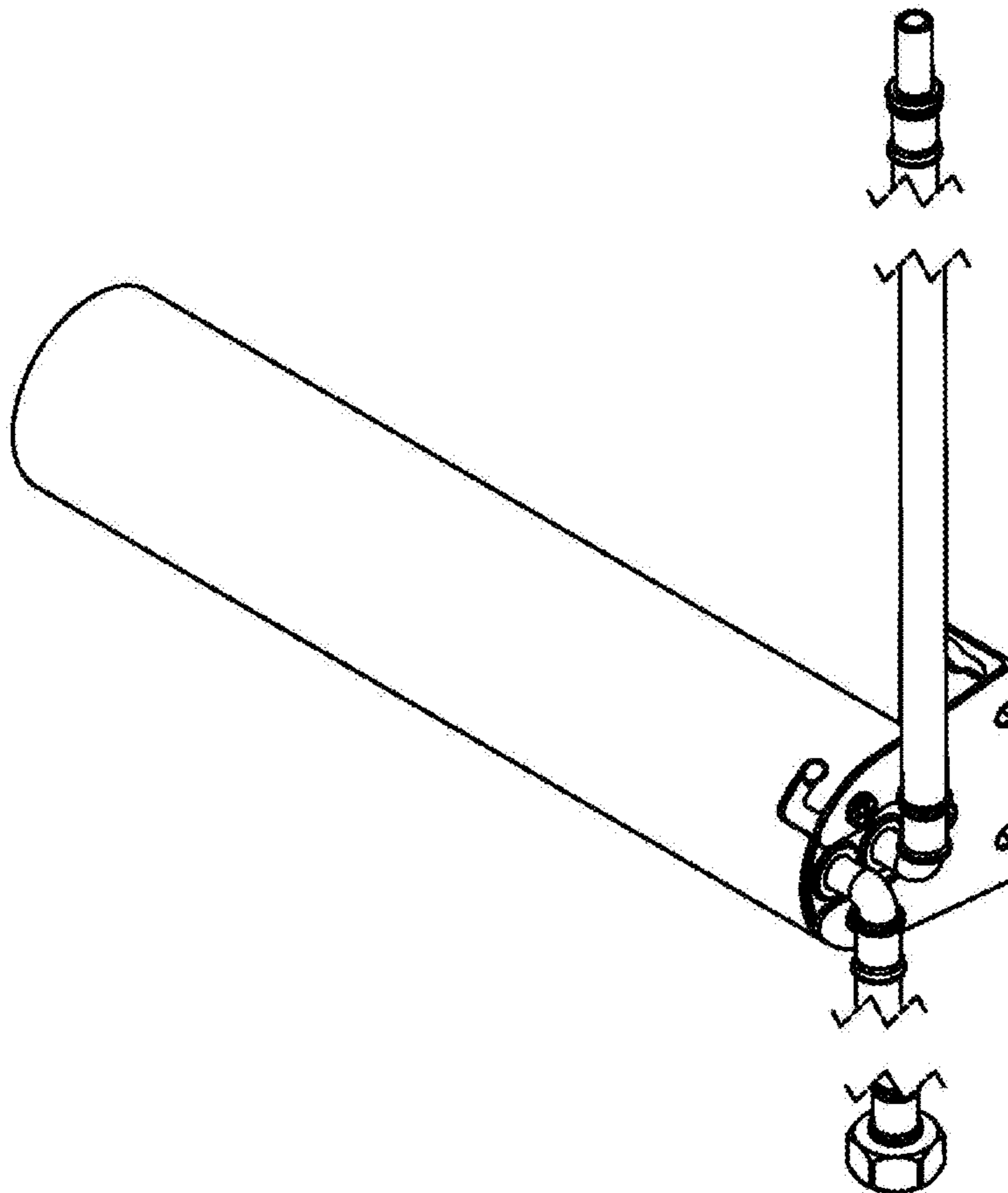
FIG. 3 is a perspective view thereof;

FIG. 4 is a bottom view thereof; and,

FIG. 5 is a front view thereof.

The pipes are shown fragmented to indicate unspecified length.

1 Claim, 5 Drawing Sheets



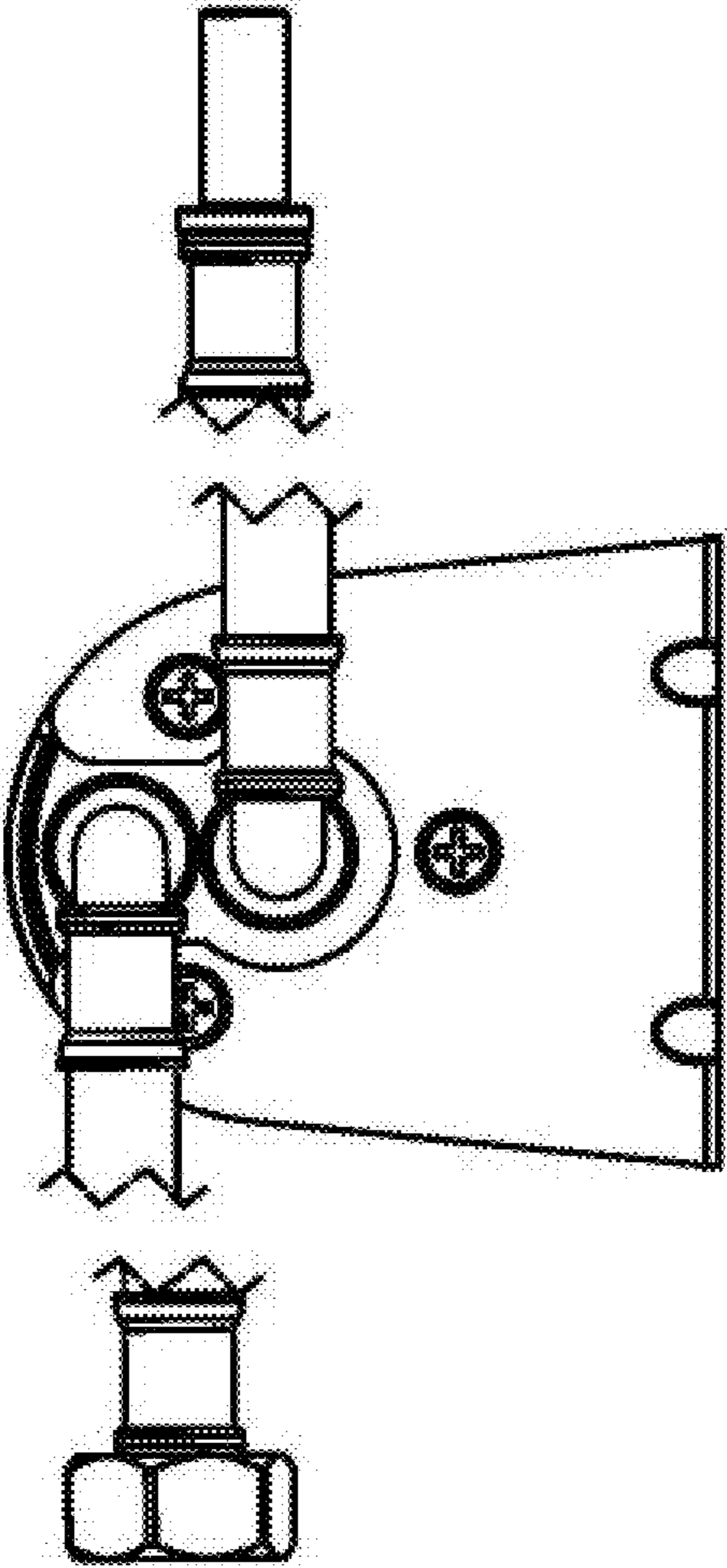


FIG. 1

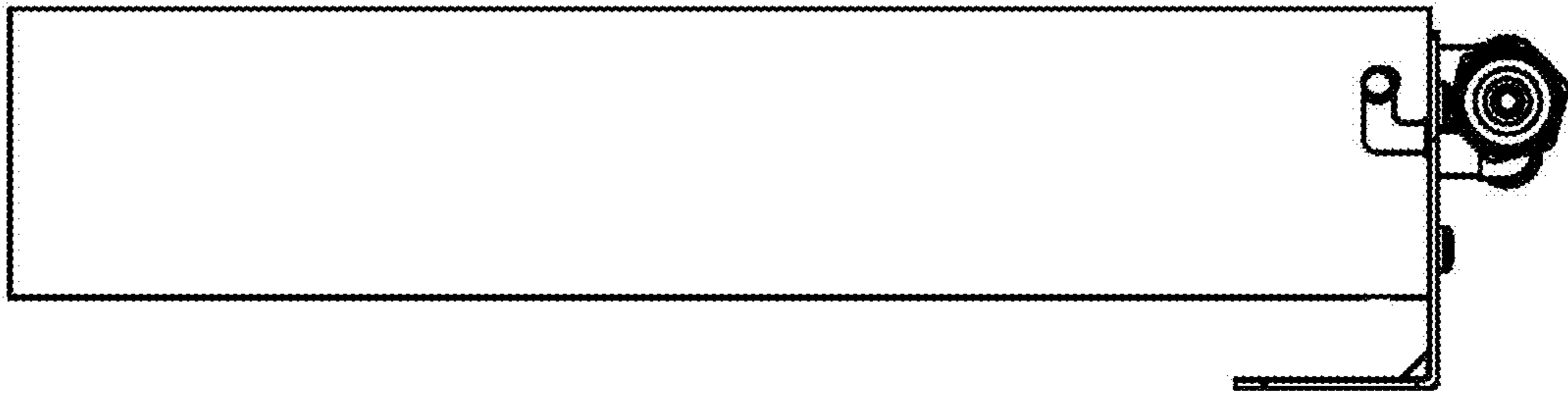


FIG. 2

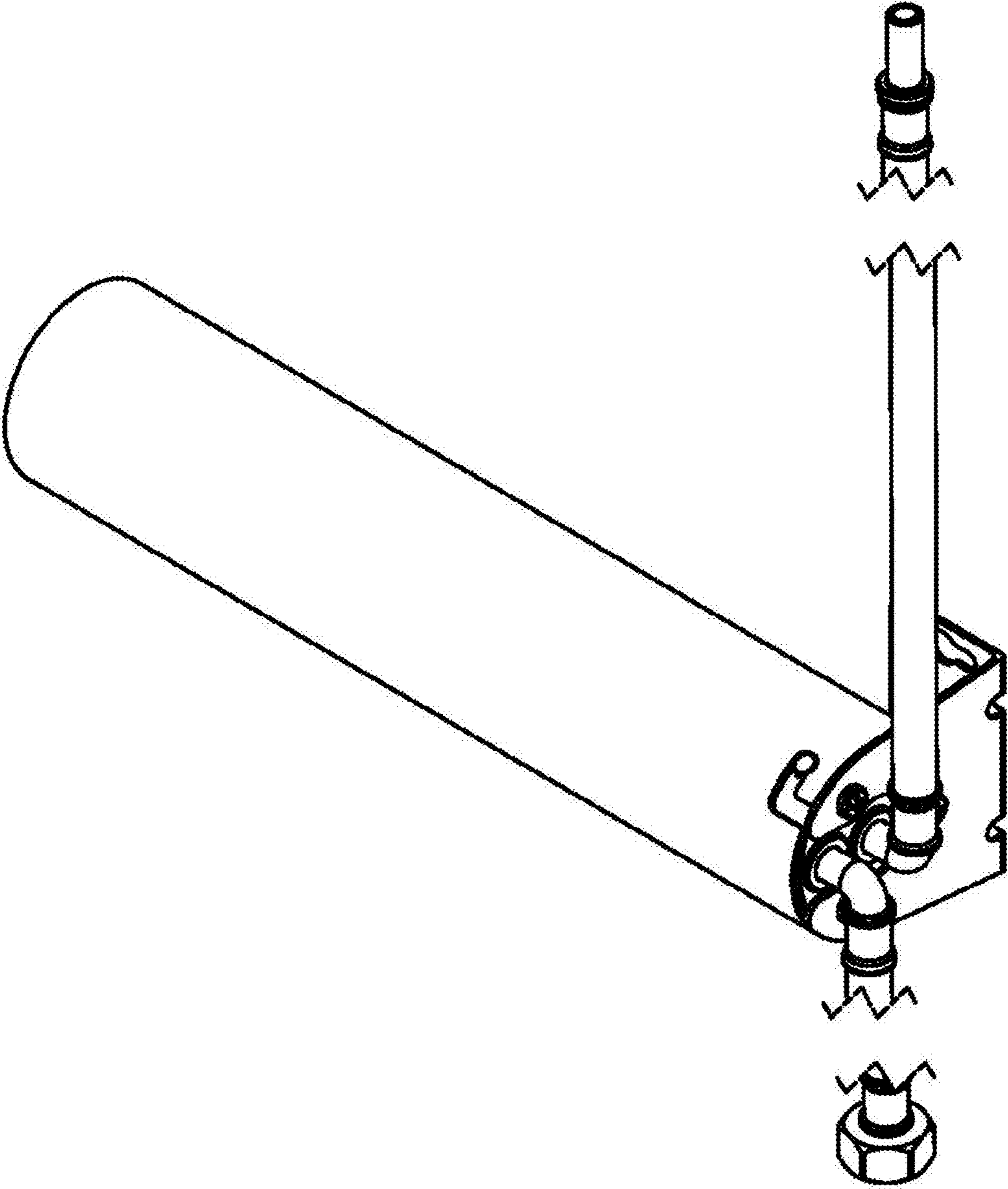


FIG. 3

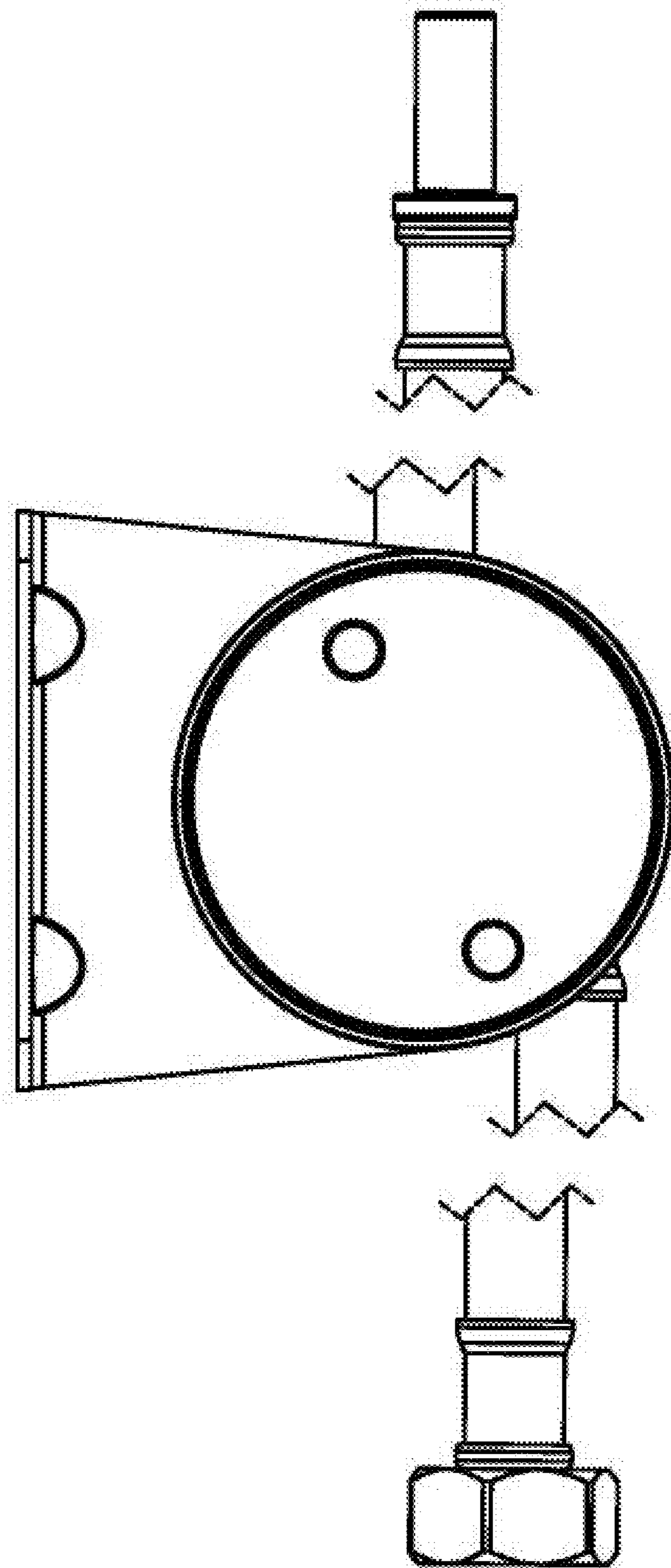


FIG. 4

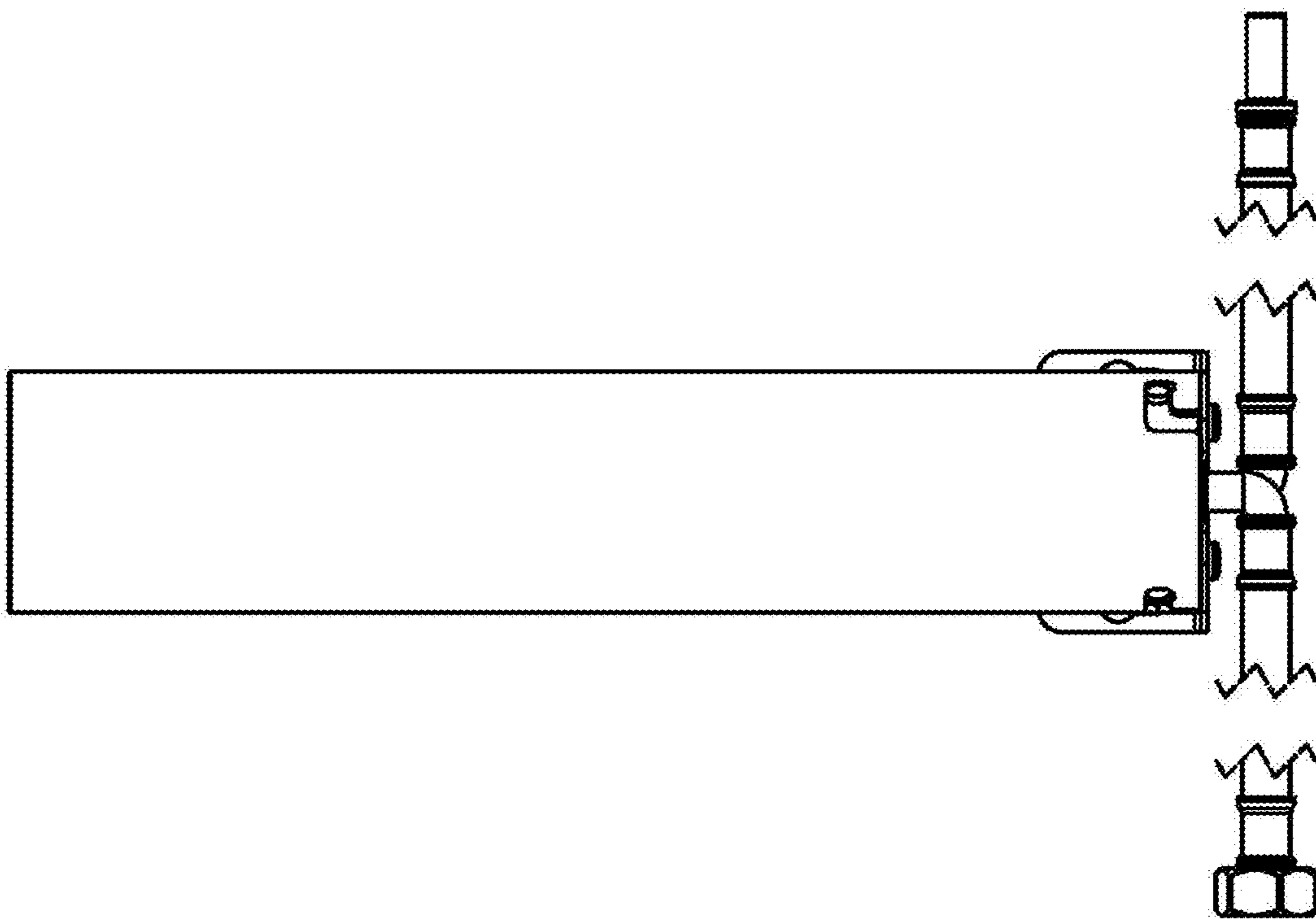


FIG. 5