



US00D698002S

(12) **United States Design Patent**
Fong

(10) **Patent No.:** **US D698,002 S**
(45) **Date of Patent:** **** Jan. 21, 2014**

(54) **FISHING ROD REST**

(76) Inventor: **Gary Fong**, Chatfield, MN (US)

(**) Term: **14 Years**

(21) Appl. No.: **29/431,112**

(22) Filed: **Sep. 4, 2012**

(51) **LOC (10) Cl.** **22-05**

(52) **U.S. Cl.**
USPC **D22/147**

(58) **Field of Classification Search**
USPC D22/147-148; 43/17, 21.2, 54.1;
248/512, 514, 518, 520, 538; D6/552;
211/13.1, 60.1, 64, 70.2, 70.6, 70.8,
211/85.7

See application file for complete search history.

(56) **References Cited**

U.S. PATENT DOCUMENTS

4,594,805 A * 6/1986 McClelland 43/21.2
4,848,021 A * 7/1989 Simko 43/21.2

(Continued)

Primary Examiner — Catheri Oliver-Garcia

(74) *Attorney, Agent, or Firm* — James Ray & Assoc

(57) **CLAIM**

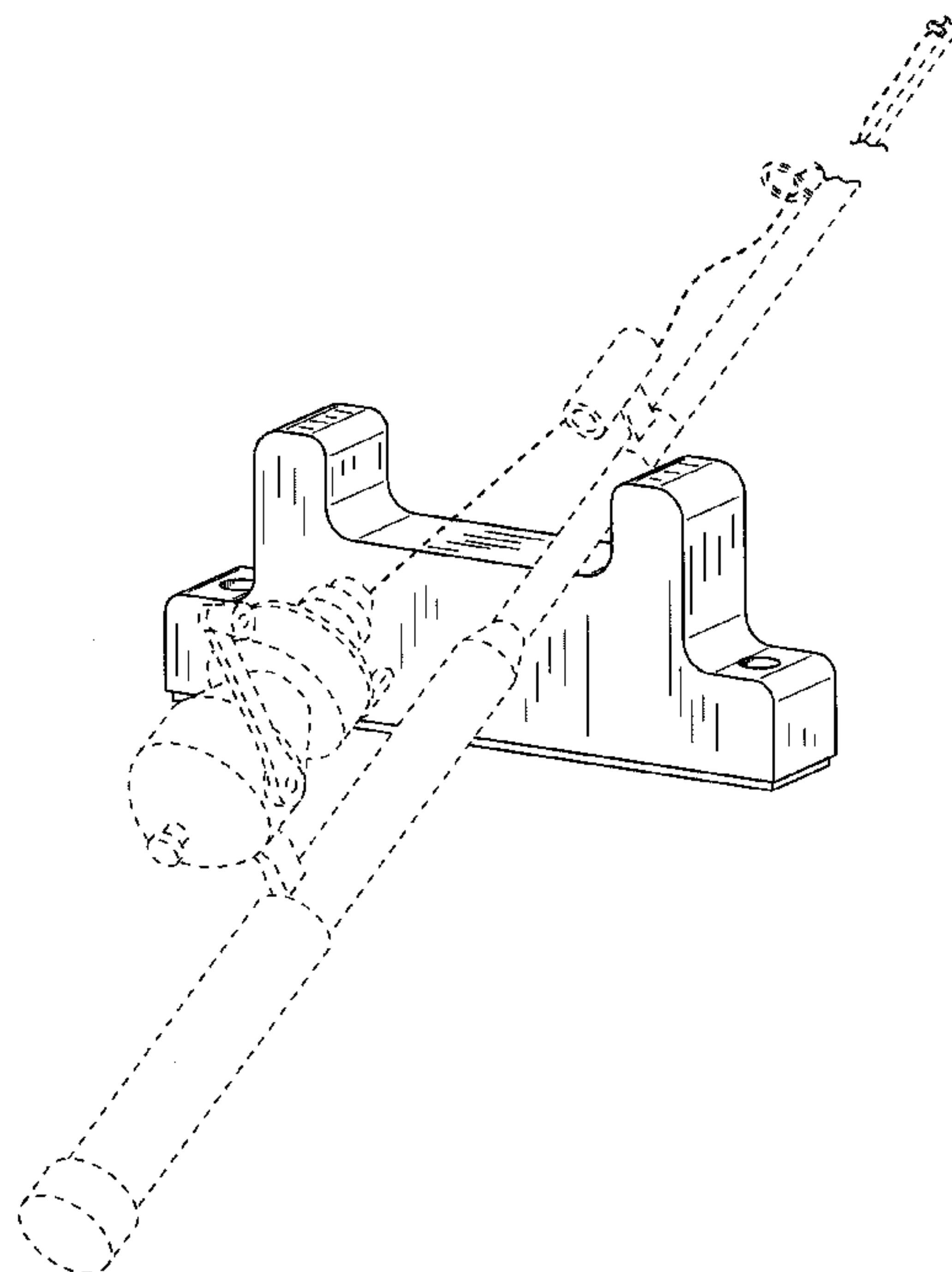
The ornamental design for a fishing rod rest, as shown and described.

DESCRIPTION

FIG. 1 is a perspective view of a fishing rod rest of one embodiment;

FIG. 2 is a front elevation view of the fishing rod rest of FIG. 1, rear view is a mirror image of the front view; FIG. 3 is a right elevation view of the fishing rod rest of FIG. 1, left view is a mirror image of the right view; FIG. 4 is a top view of the fishing rod rest of FIG. 1; FIG. 5 is a bottom view of the fishing rod rest of FIG. 1; FIG. 6 is a perspective view of a fishing rod rest of another embodiment; FIG. 7 is a front elevation view of the fishing rod rest of FIG. 6, rear view is a mirror image of the front view; FIG. 8 is a right elevation view of the fishing rod rest of FIG. 6, left view is a mirror image of the right view; FIG. 9 is a top view of the fishing rod rest of FIG. 6; FIG. 10 is a bottom view of the fishing rod rest of FIG. 6; FIG. 11 is a perspective view of a fishing rod rest of yet another embodiment; FIG. 12 is a front elevation view of the fishing rod rest of FIG. 11, rear view is a mirror image of the front view; FIG. 13 is a right elevation view of the fishing rod rest of FIG. 11, left view is a mirror image of the right view; FIG. 14 is a top view of the fishing rod rest of FIG. 11; FIG. 15 is a bottom view of the fishing rod rest of FIG. 11; FIG. 16 is a perspective view of a fishing rod rest of yet another embodiment; FIG. 17 is a front elevation view of the fishing rod rest of FIG. 16, rear view is a mirror image of the front view; FIG. 18 is a right elevation view of the fishing rod rest of FIG. 16, left view is a mirror image of the right view; FIG. 19 is a top view of the fishing rod rest of FIG. 16; and, FIG. 20 is a bottom view of the fishing rod rest of FIG. 16. The broken line showing of environment in the drawings is included for the purpose of illustrating only and forms no part of the claimed design.

1 Claim, 12 Drawing Sheets



US D698,002 S

Page 2

(56)

References Cited

U.S. PATENT DOCUMENTS

D351,890 S * 10/1994 Rasmusson D22/147
D373,271 S * 9/1996 Rosh et al. D6/552
5,682,703 A * 11/1997 Corbiere 43/17

5,913,673 A * 6/1999 Womac 43/54.1
D462,107 S * 8/2002 Robertson D22/147
6,862,835 B1 * 3/2005 Connors et al. 43/21.2
D634,393 S * 3/2011 Portscheller D22/147
D677,091 S * 3/2013 Monro D6/552

* cited by examiner

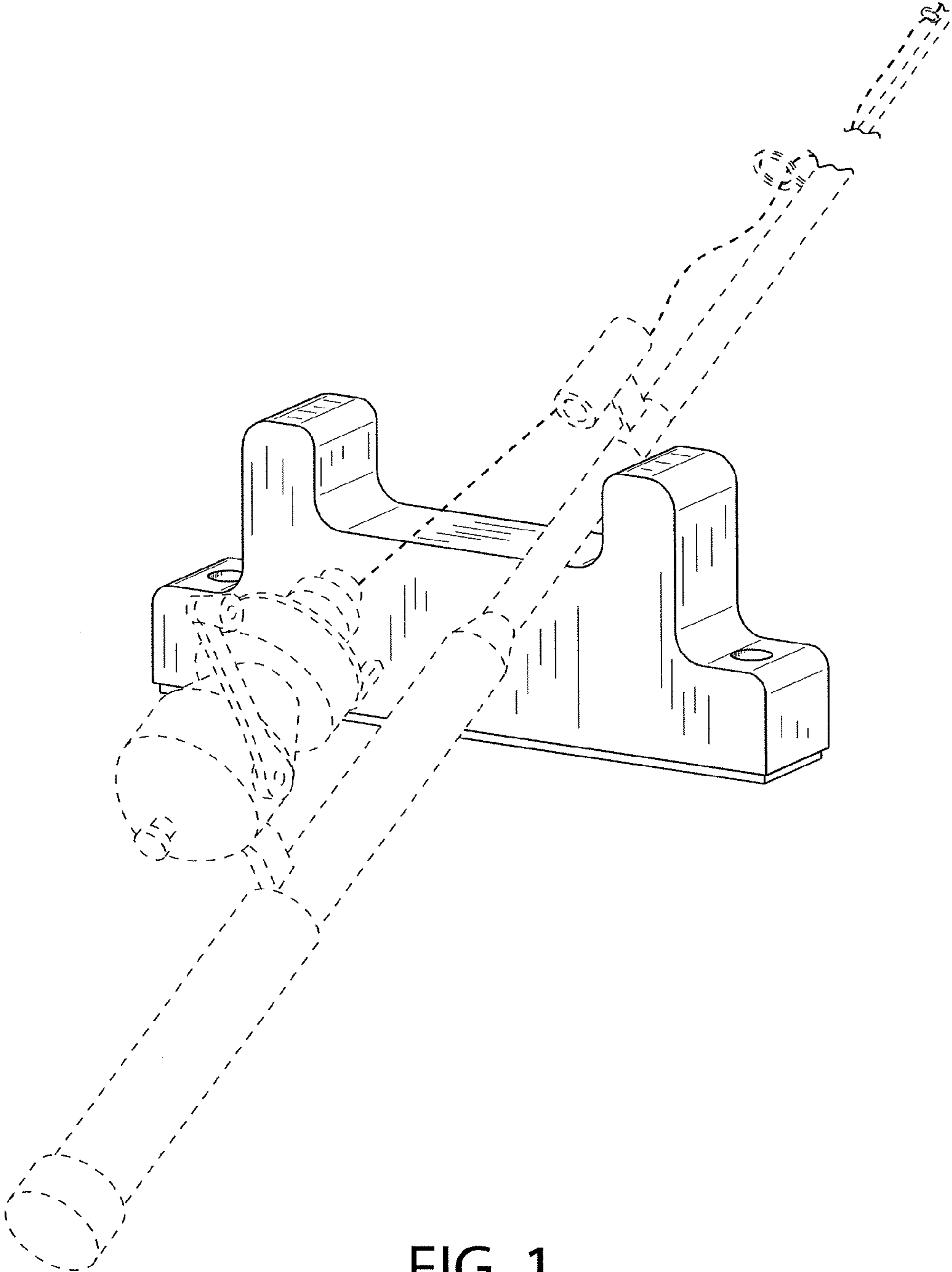


FIG. 1

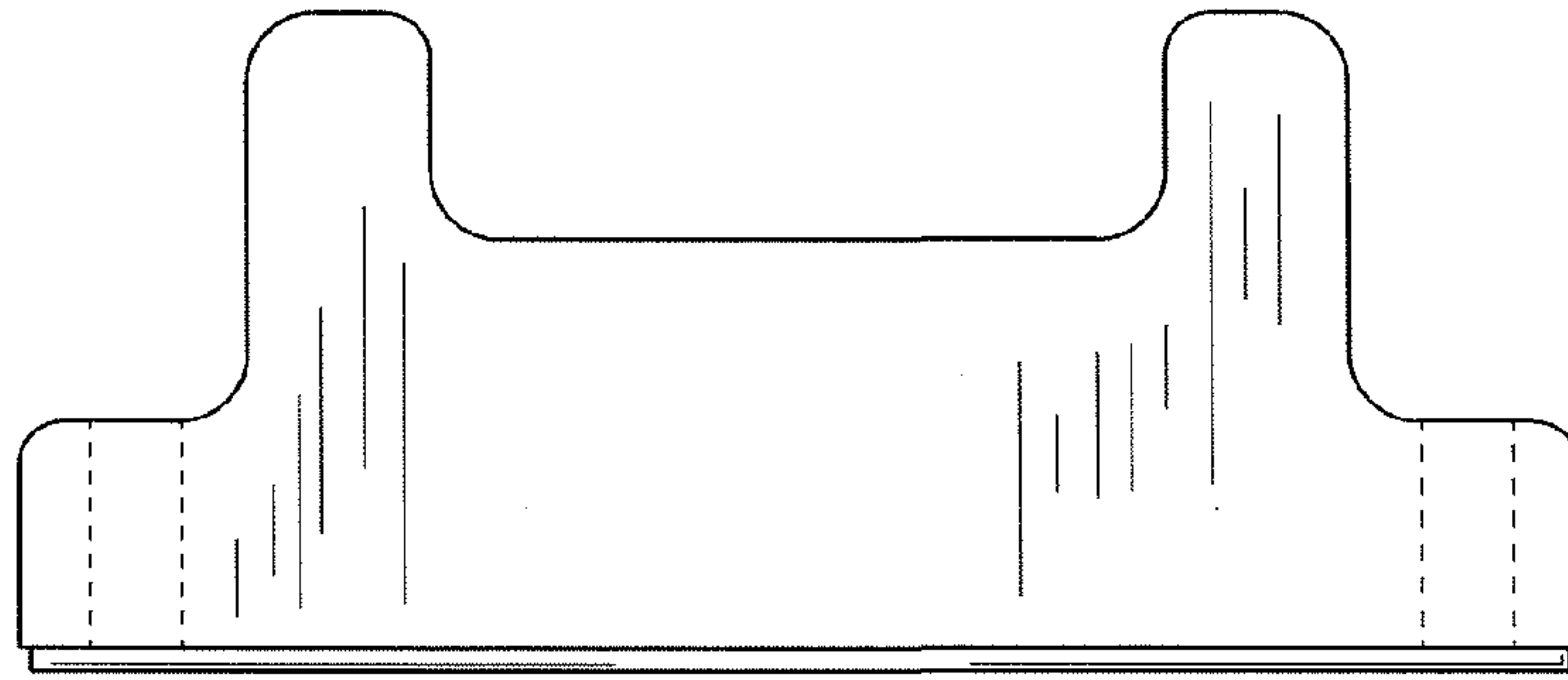


FIG. 2

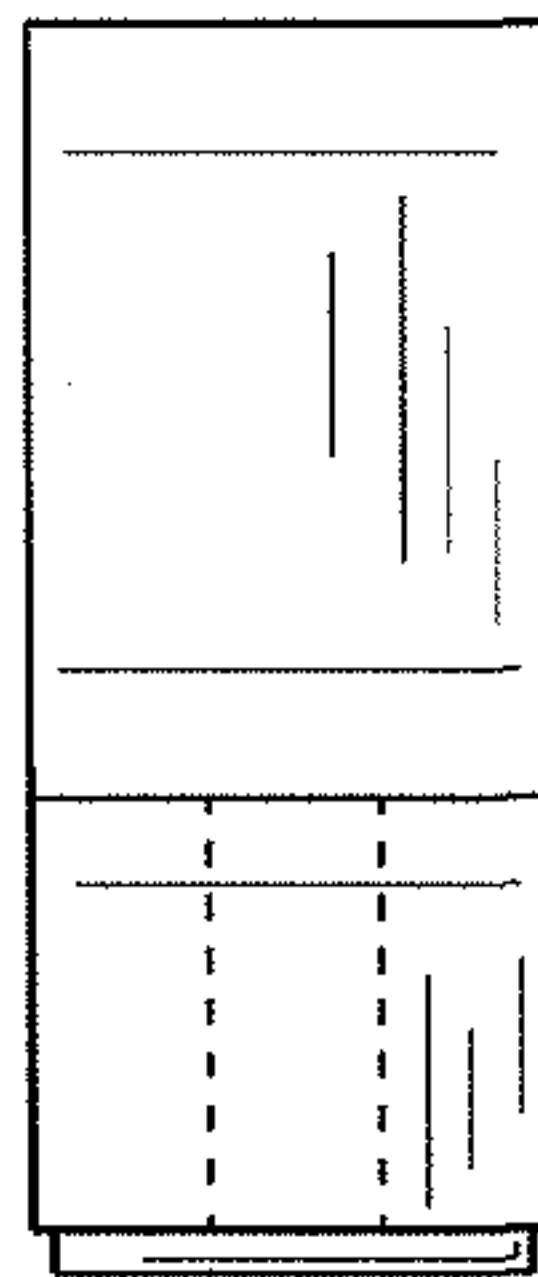


FIG. 3

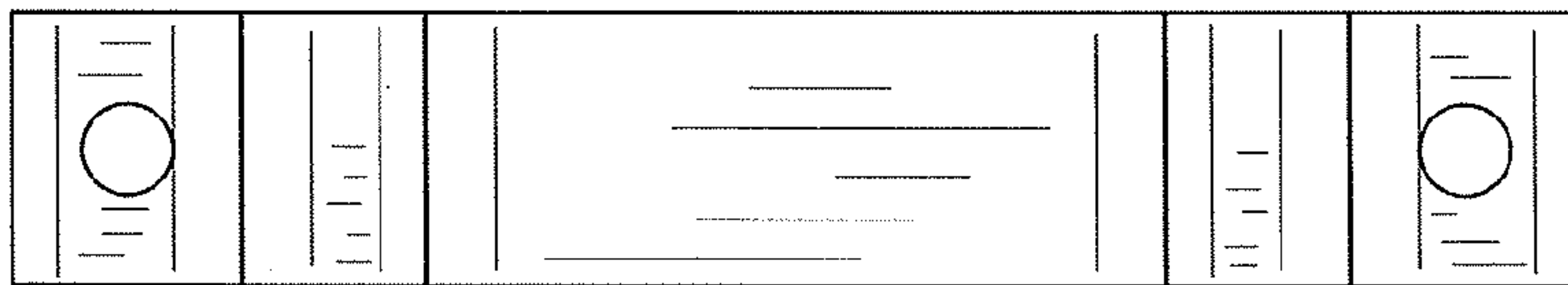


FIG. 4

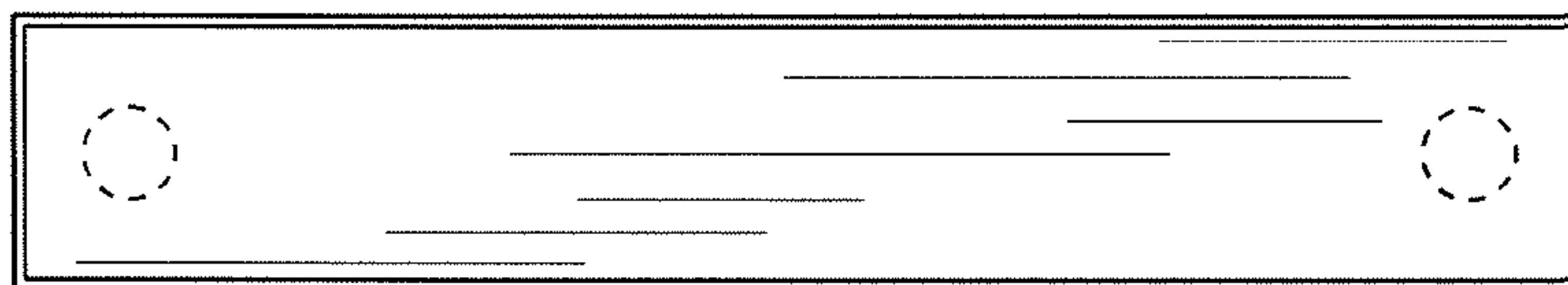


FIG. 5

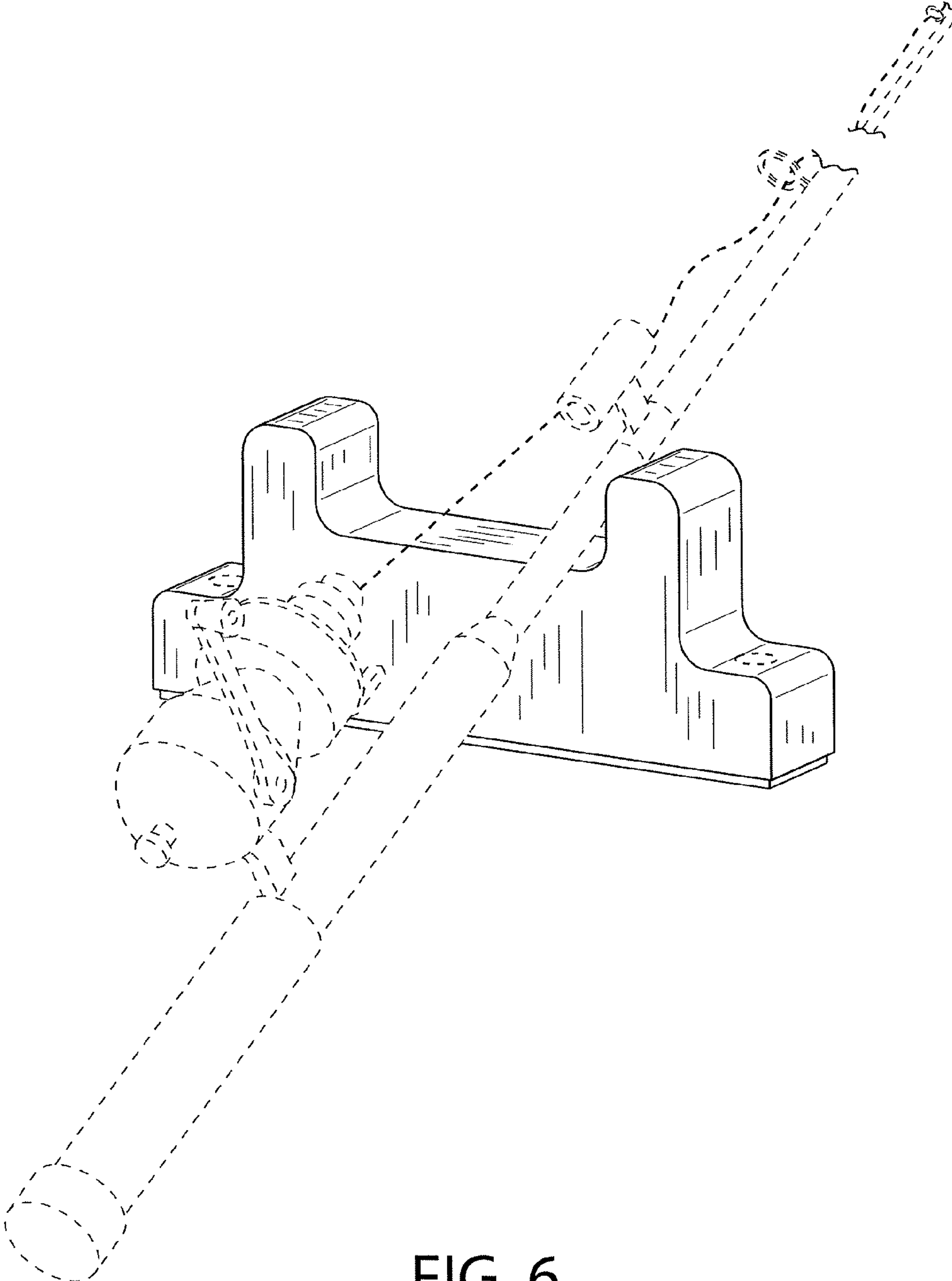


FIG. 6

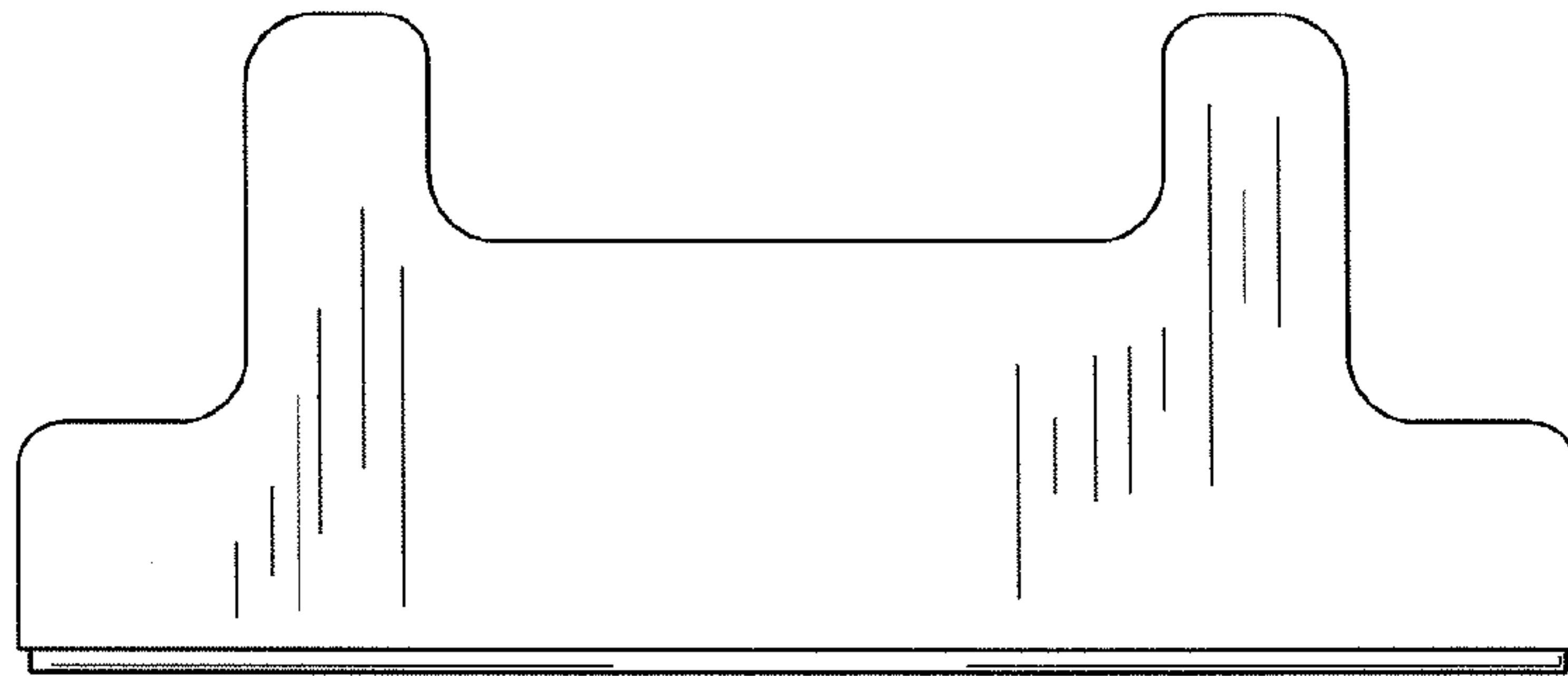


FIG. 7

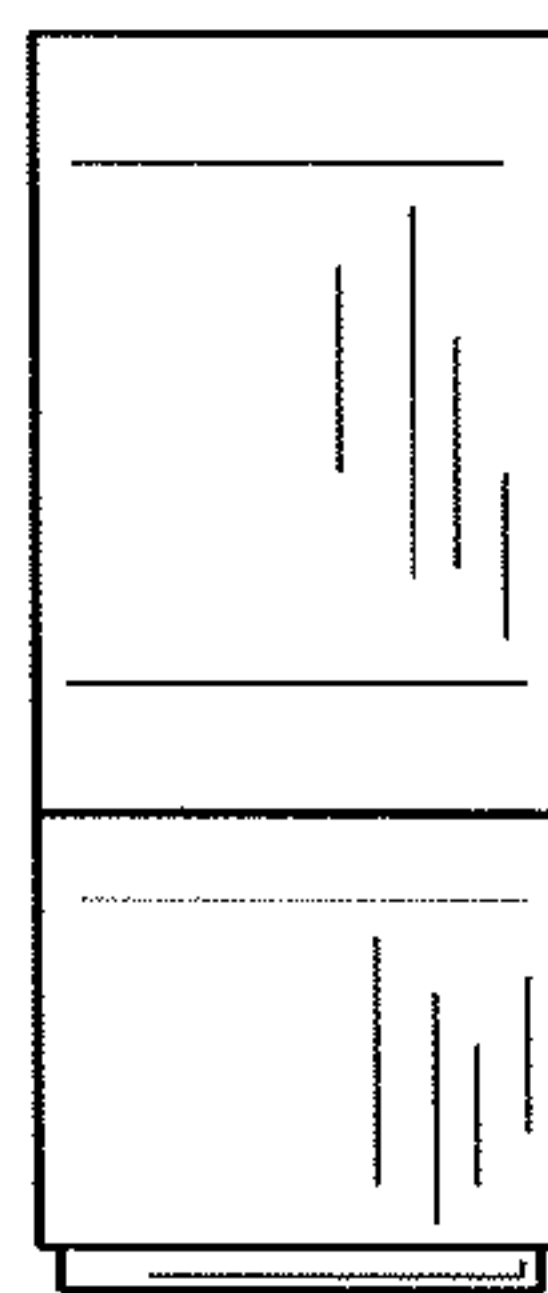


FIG. 8

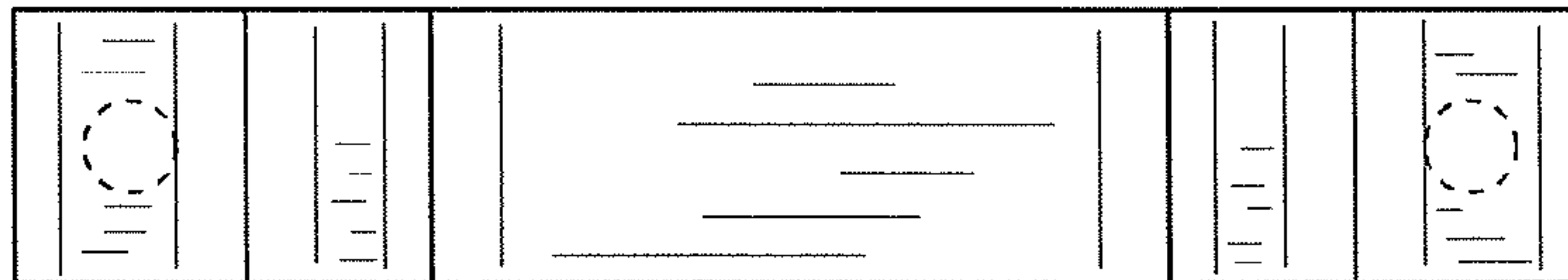


FIG. 9

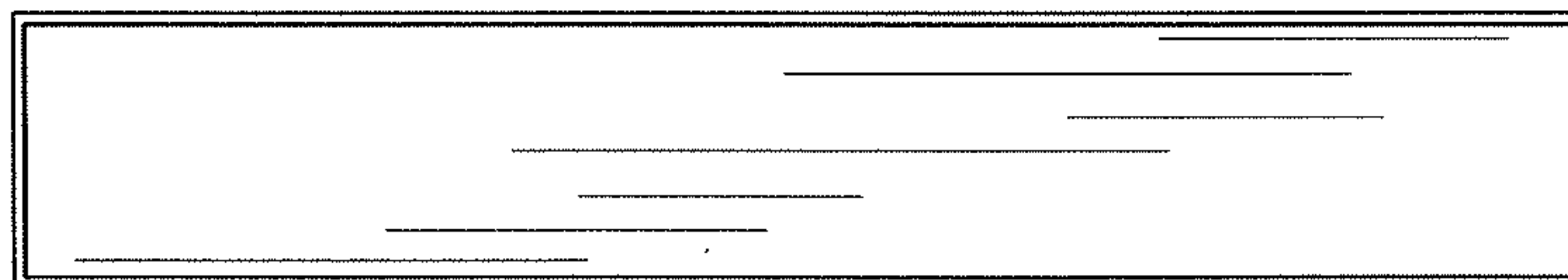


FIG. 10

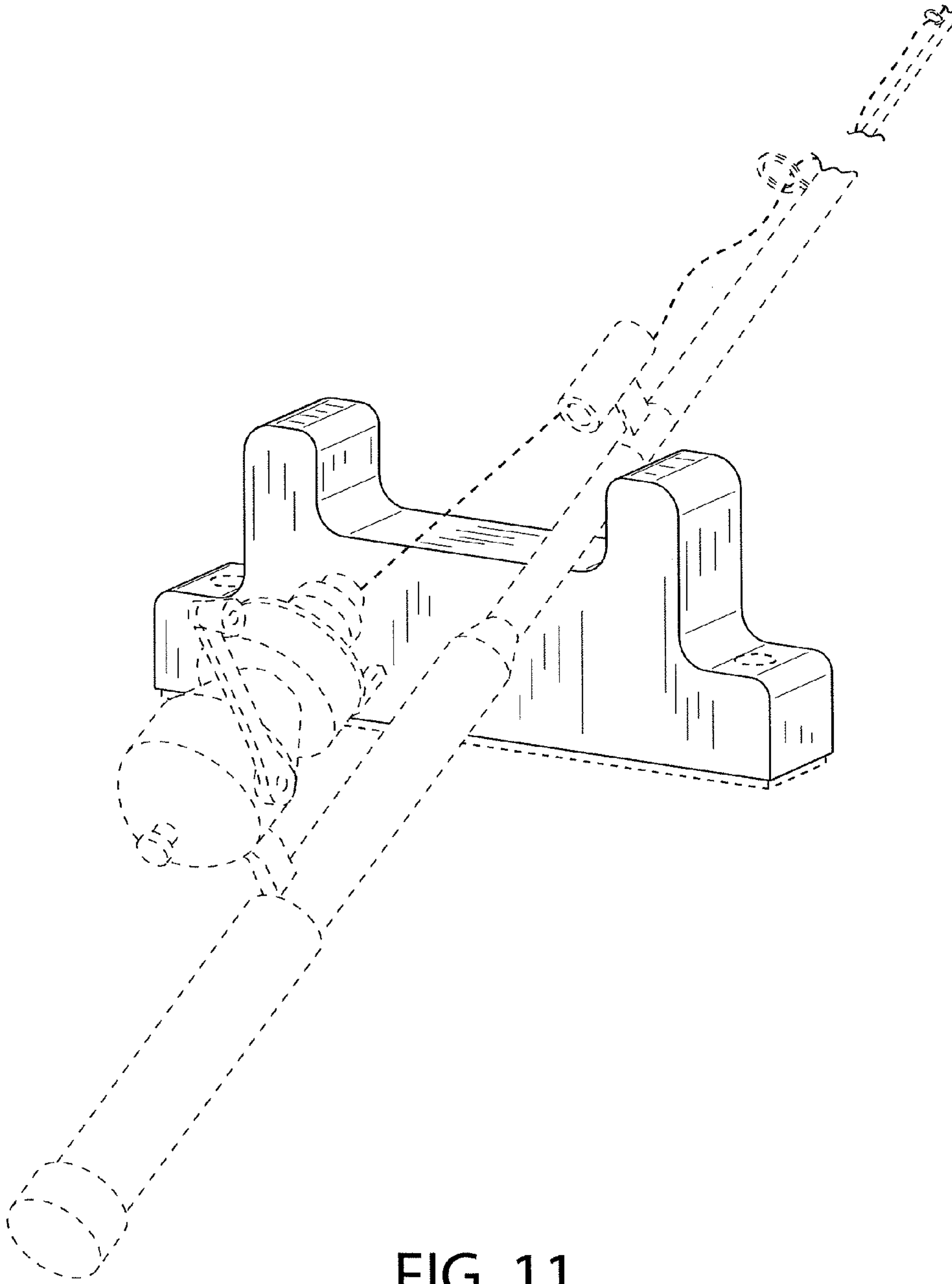


FIG. 11

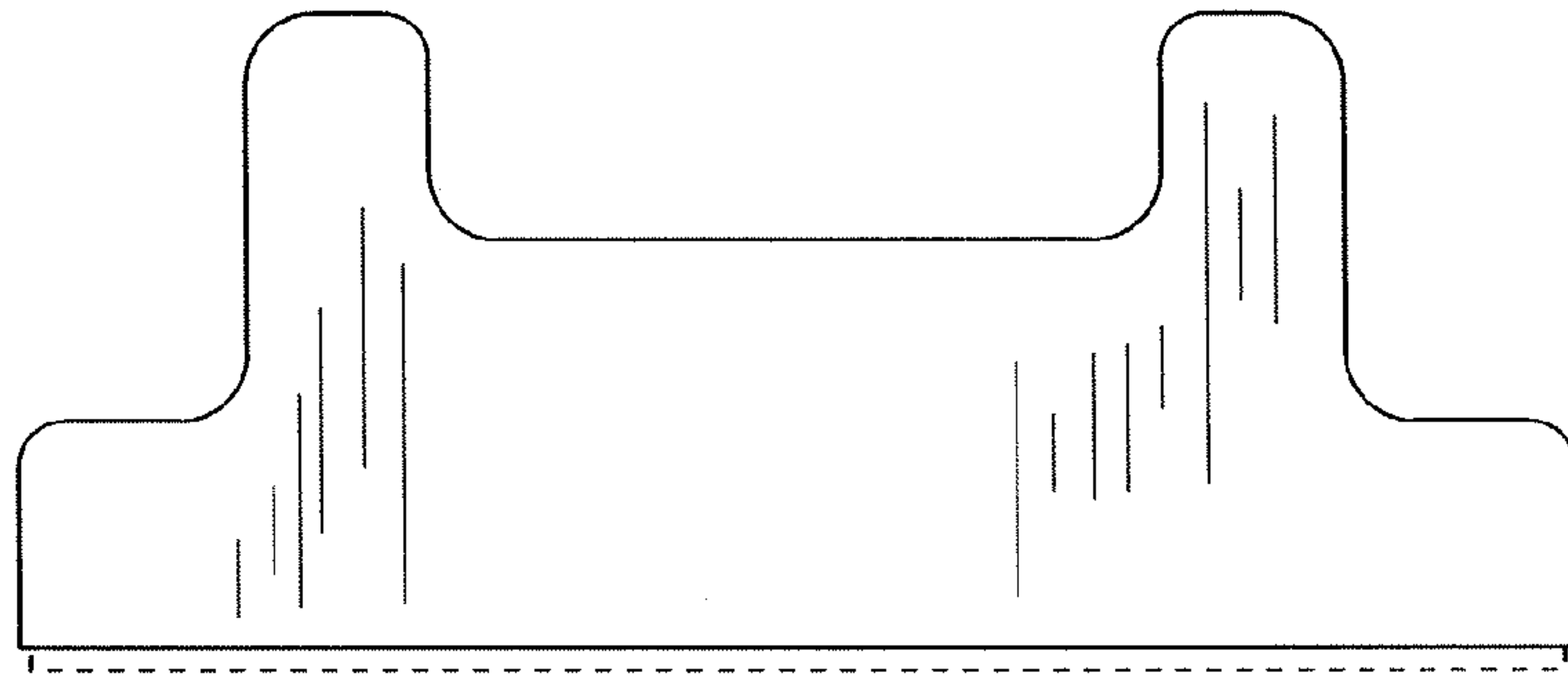


FIG. 12

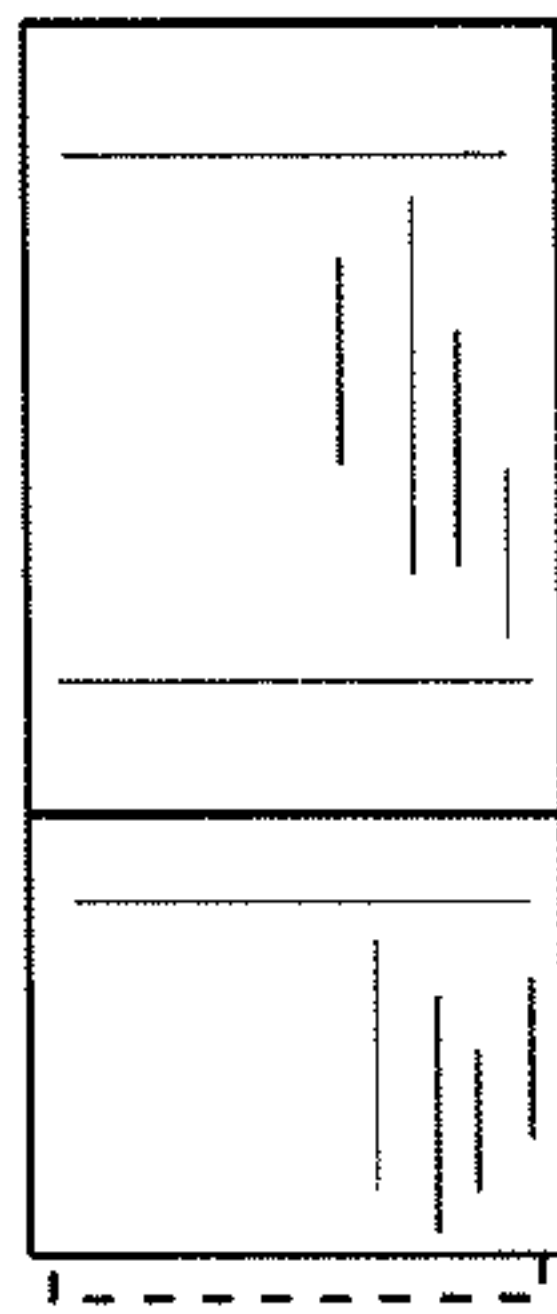


FIG. 13

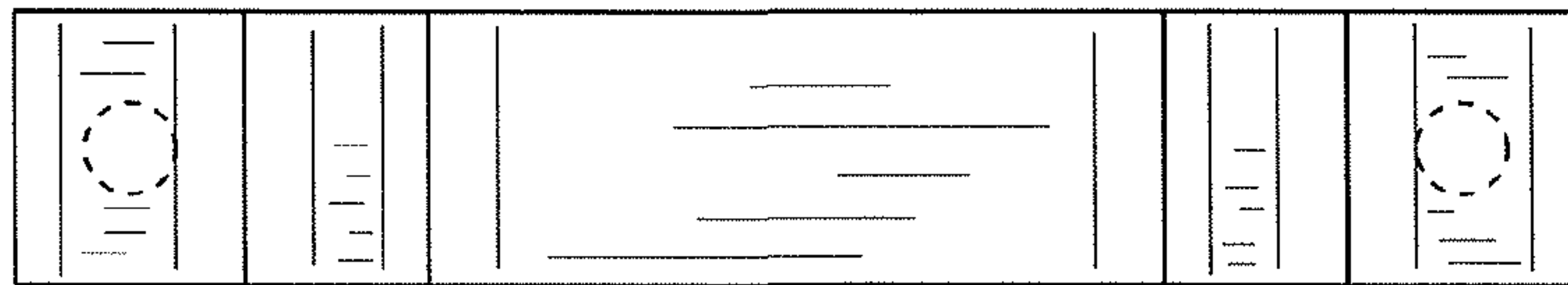


FIG. 14

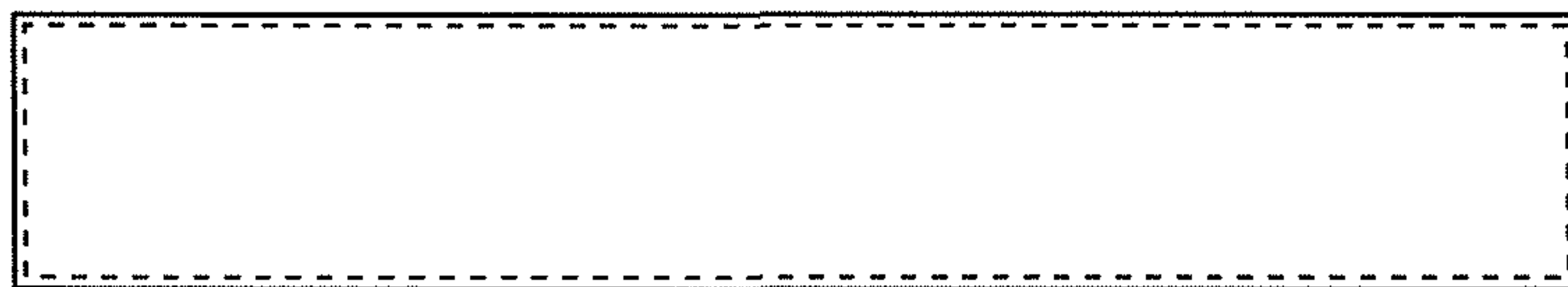


FIG. 15

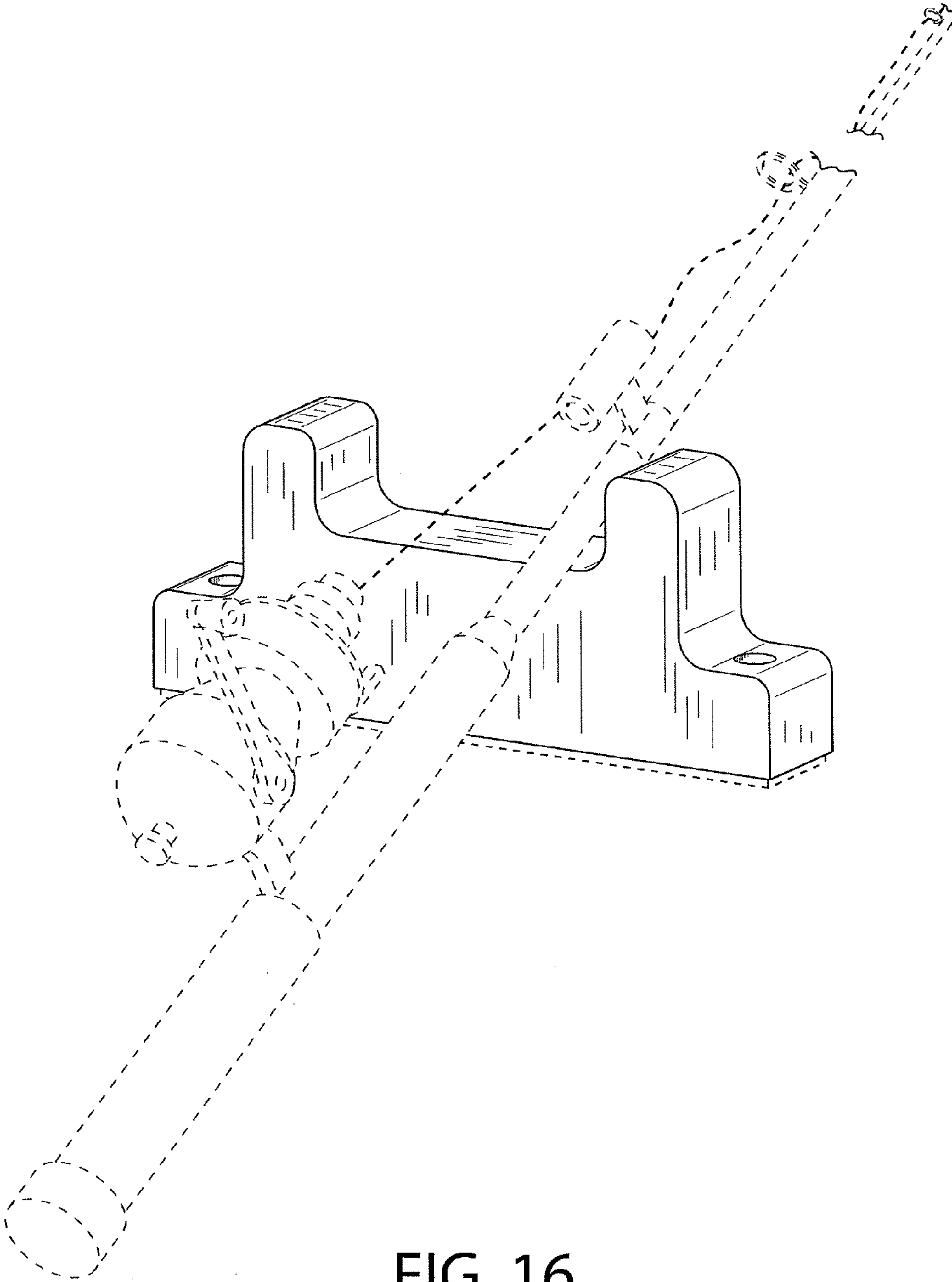


FIG. 16

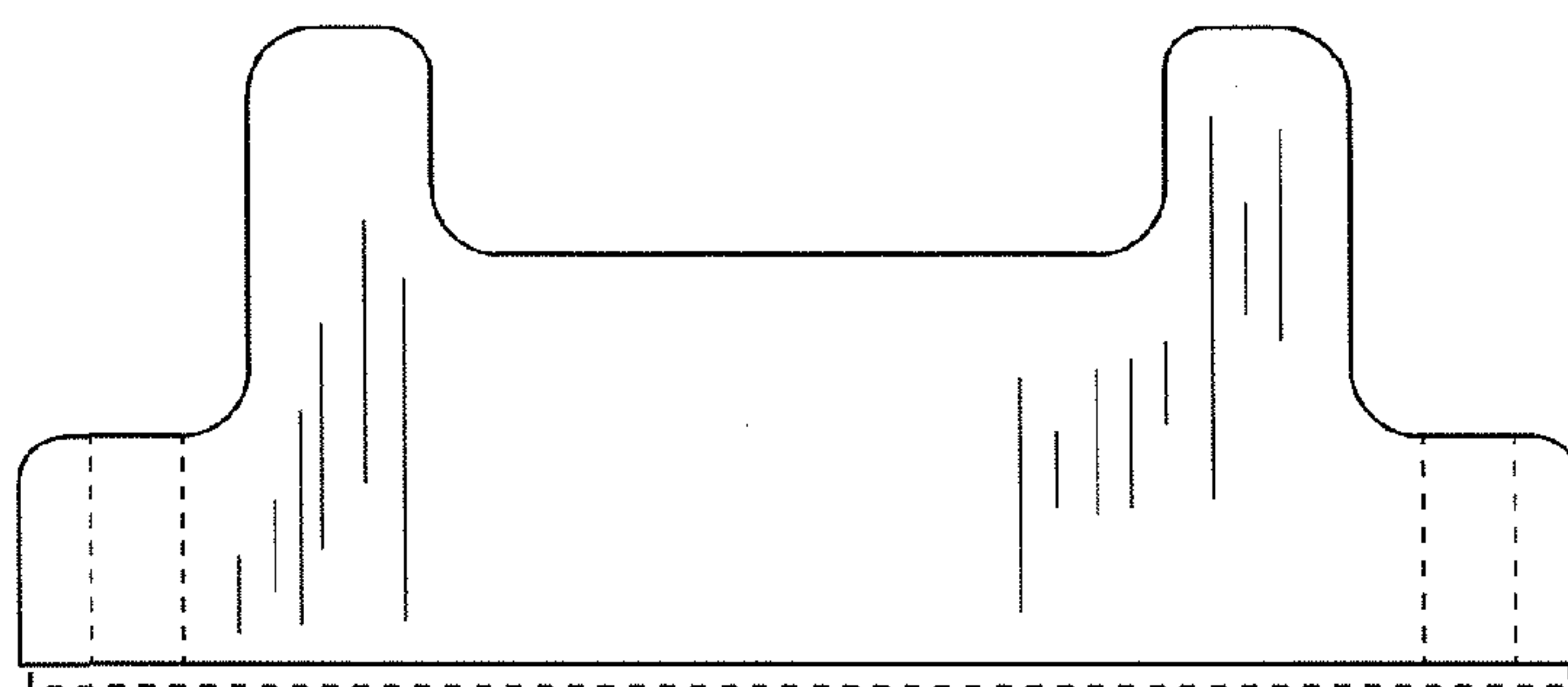


FIG. 17

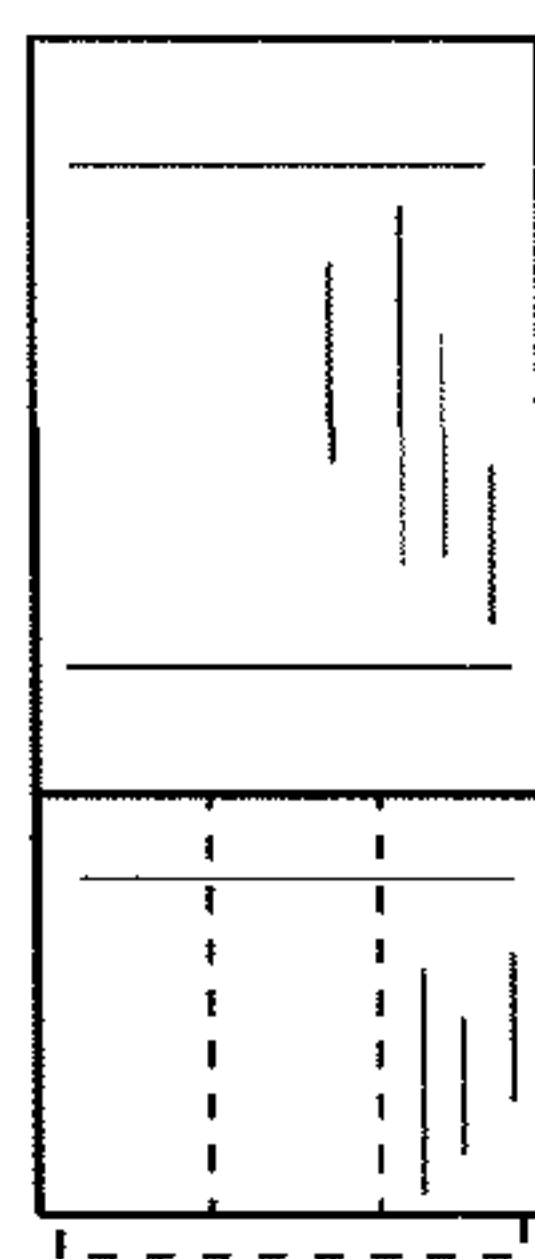


FIG. 18

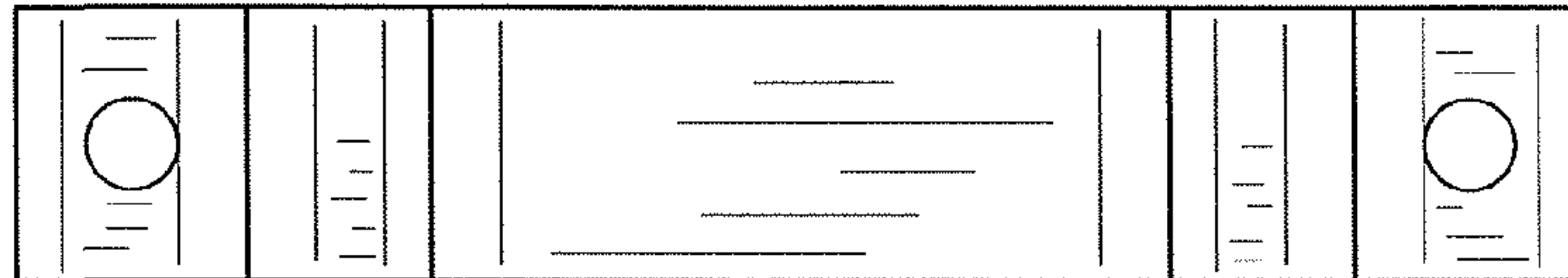


FIG. 19

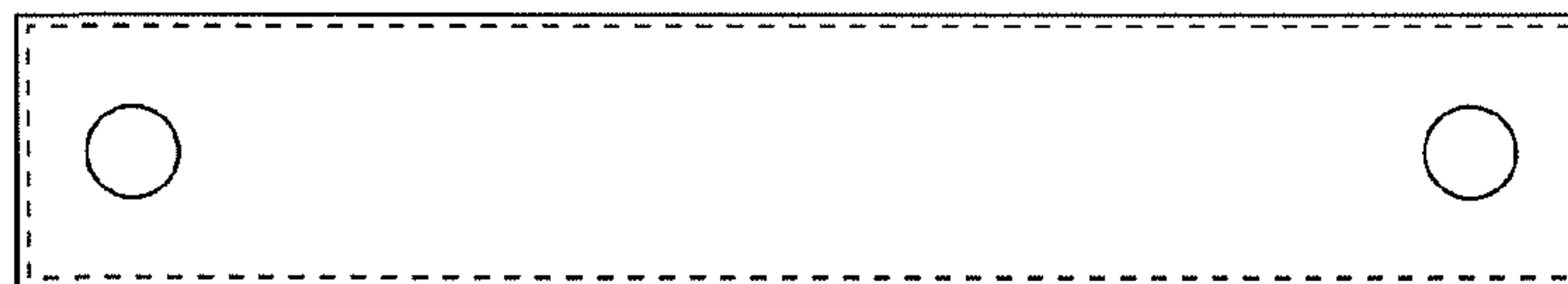


FIG. 20