

US00D698000S

(12) **United States Design Patent**
Beckett et al.

(10) **Patent No.:** **US D698,000 S**
(45) **Date of Patent:** **** Jan. 21, 2014**

(54) **OPTICAL DEVICE MOUNT**
(75) Inventors: **Patrick Beckett**, Greeley, CO (US); **Sky Leighton**, Firestone, CO (US)
(73) Assignee: **Burriss Corporation**, Greeley, CO (US)

7,730,655 B2 * 6/2010 Spuhr 42/127
D632,753 S 2/2011 Leighton et al.
D638,089 S * 5/2011 Ding D22/109
8,171,666 B2 * 5/2012 Karagias 42/124
D672,839 S * 12/2012 Ding D22/109
D681,767 S * 5/2013 Li et al. D22/109
2004/0148842 A1 * 8/2004 Aalto et al. 42/127
2008/0034638 A1 2/2008 Spuhr

(**) Term: **14 Years**

OTHER PUBLICATIONS

(21) Appl. No.: **29/420,429**

Burriss Company, 2010 Catalog, Copyright 2009, Burns Company, Greeley, CO., see pp. 43-45.

(22) Filed: **May 9, 2012**

* cited by examiner

(51) **LOC (10) Cl.** **22-01**

Primary Examiner — Michael A Pratt

(52) **U.S. Cl.**

(74) *Attorney, Agent, or Firm* — Merchant & Gould P.C.

USPC **D22/109**

(58) **Field of Classification Search**

(57) **CLAIM**

USPC D22/108-109; 42/111-128; 89/1.61,
89/200-204

The ornamental design for an optical device mount, as shown.

See application file for complete search history.

DESCRIPTION

(56) **References Cited**

FIG. 1 is a perspective view of an optical device mount showing our new design.

U.S. PATENT DOCUMENTS

FIG. 2 is a front elevation view of the optical device mount of FIG. 1.

D259,944 S	7/1981	Burriss	
4,367,606 A	1/1983	Bechtel	
4,501,071 A	2/1985	Manske	
D317,344 S	6/1991	Klumpp	
5,033,219 A	7/1991	Johnson et al.	
D383,826 S	9/1997	Weigand	
5,680,725 A *	10/1997	Bell	42/127
D391,335 S *	2/1998	Bechtel	D22/110
D403,393 S *	12/1998	Weast	D22/110
6,584,720 B1 *	7/2003	Johnson	42/120
6,629,381 B1 *	10/2003	Keng	42/124
6,874,269 B2	4/2005	Chen et al.	
D554,730 S	11/2007	Coggins	
7,367,152 B2 *	5/2008	Samson	42/128
D600,312 S	9/2009	Swan	

FIG. 3 is a rear elevation view of the optical device mount of FIG. 1.

FIG. 4 is a right elevation view of the optical device mount of FIG. 1.

FIG. 5 is a left elevation view of the optical device mount of FIG. 1.

FIG. 6 is a top plan view of the optical device mount of FIG. 1; and,

FIG. 7 is a bottom plan view of the optical device mount of FIG. 1.

1 Claim, 5 Drawing Sheets

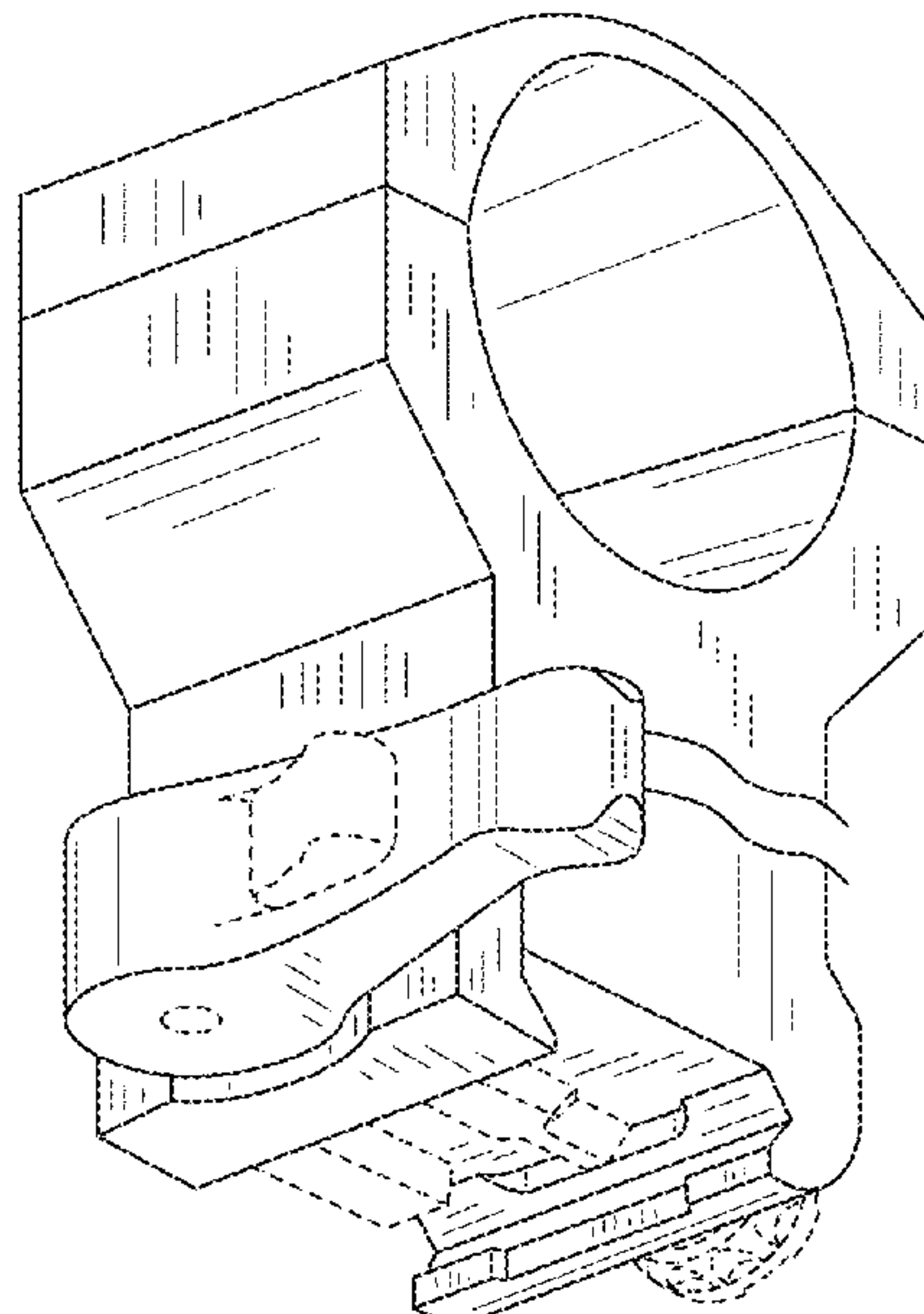


FIG. 1

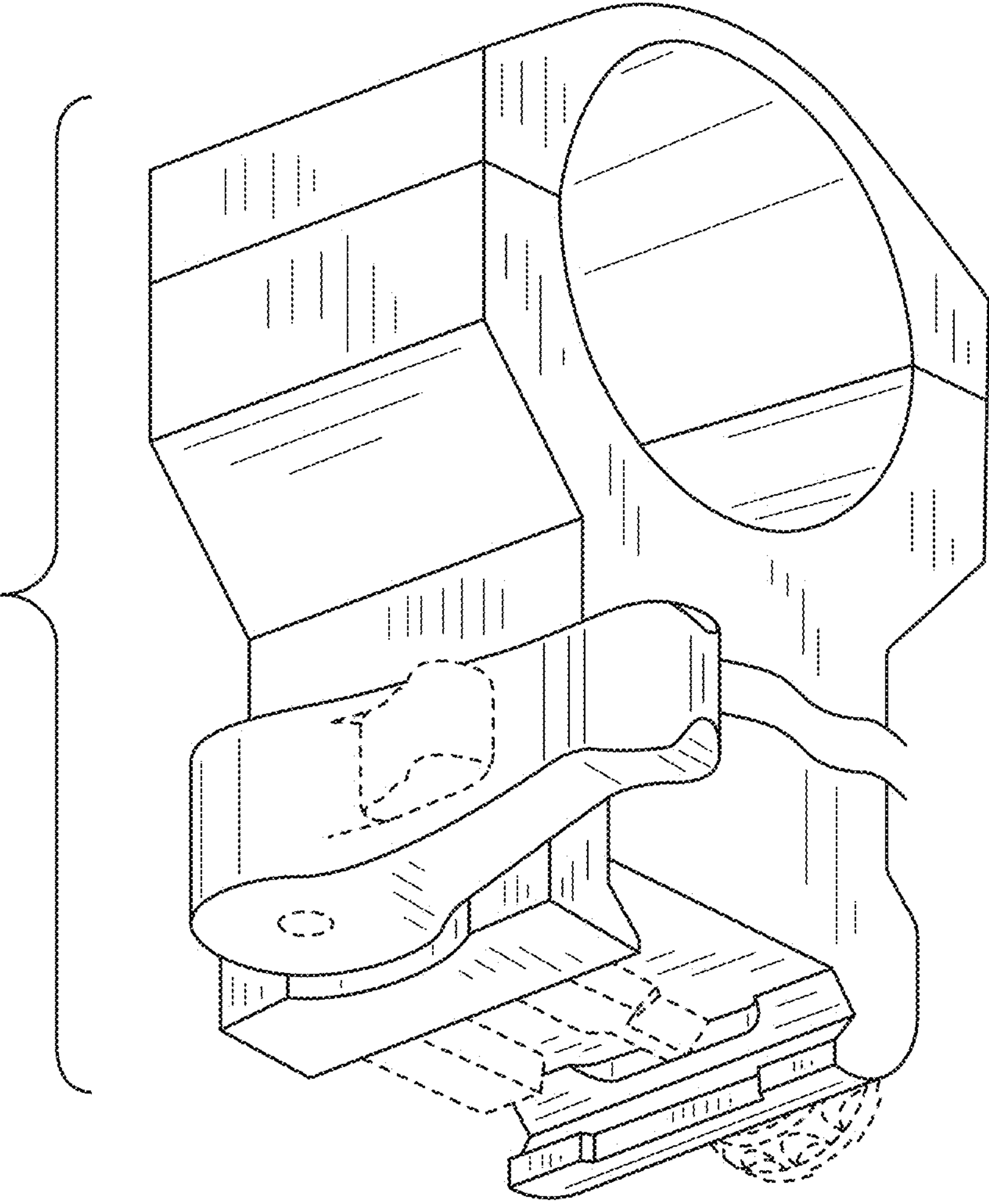


FIG.2

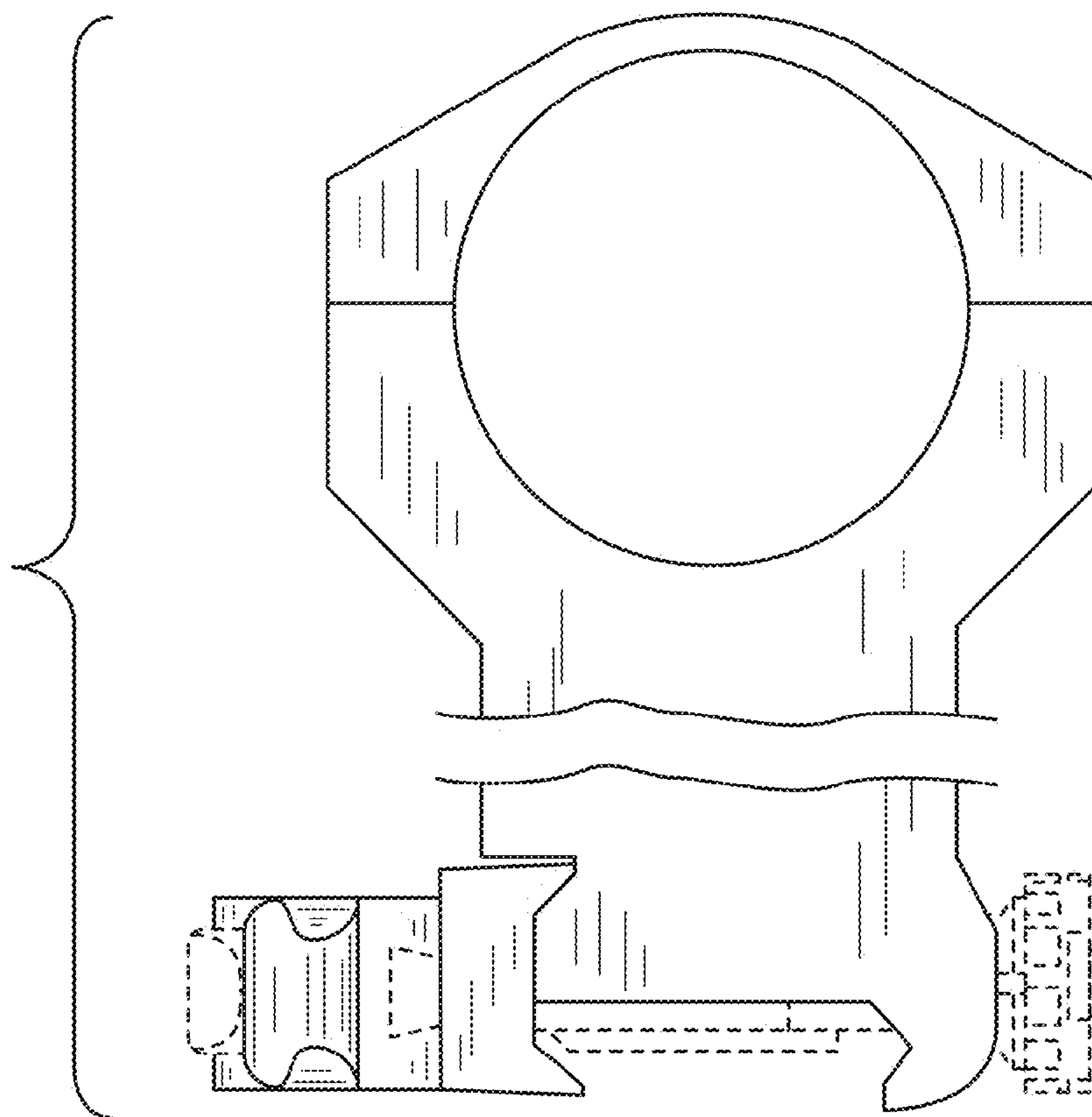
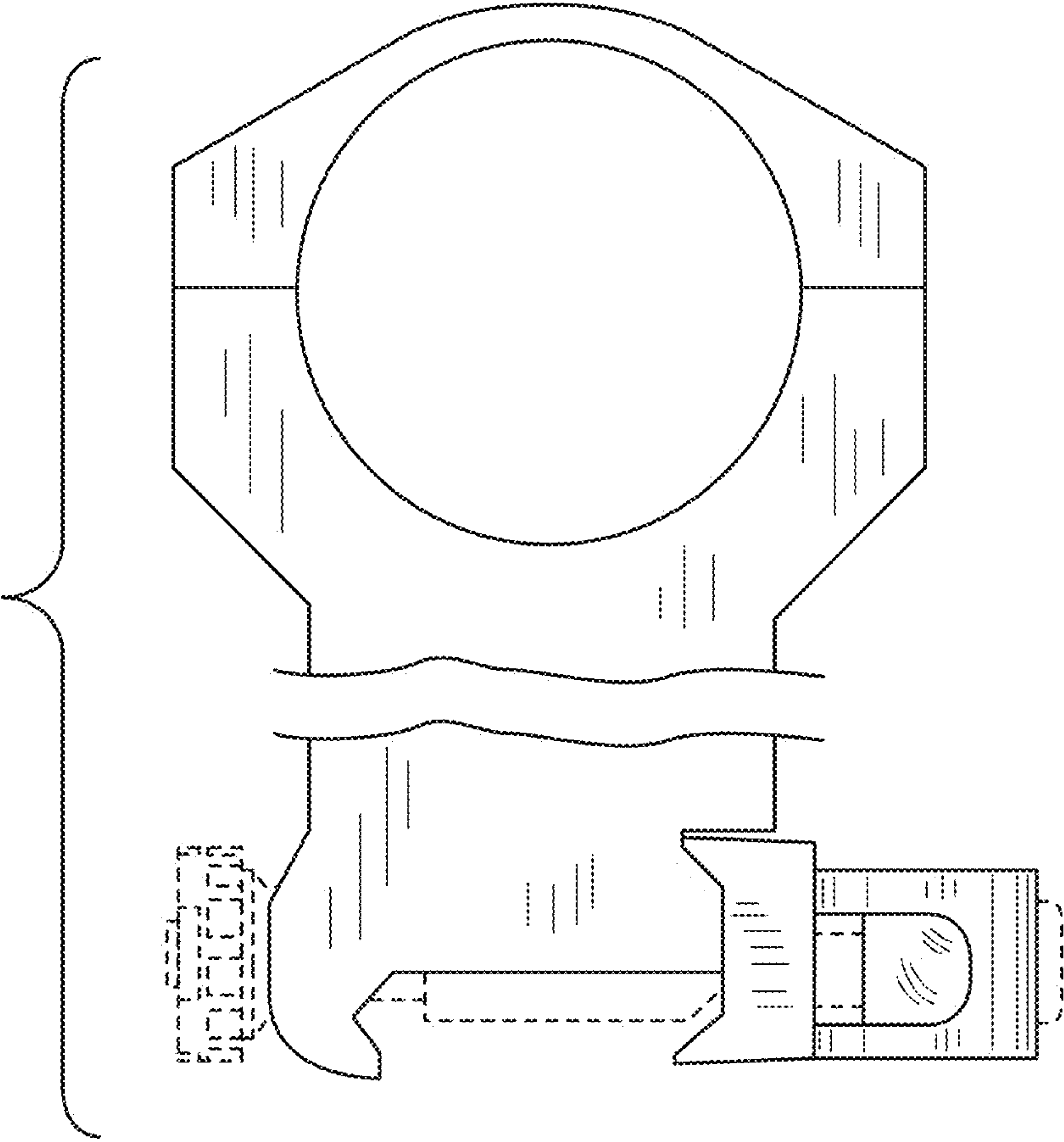
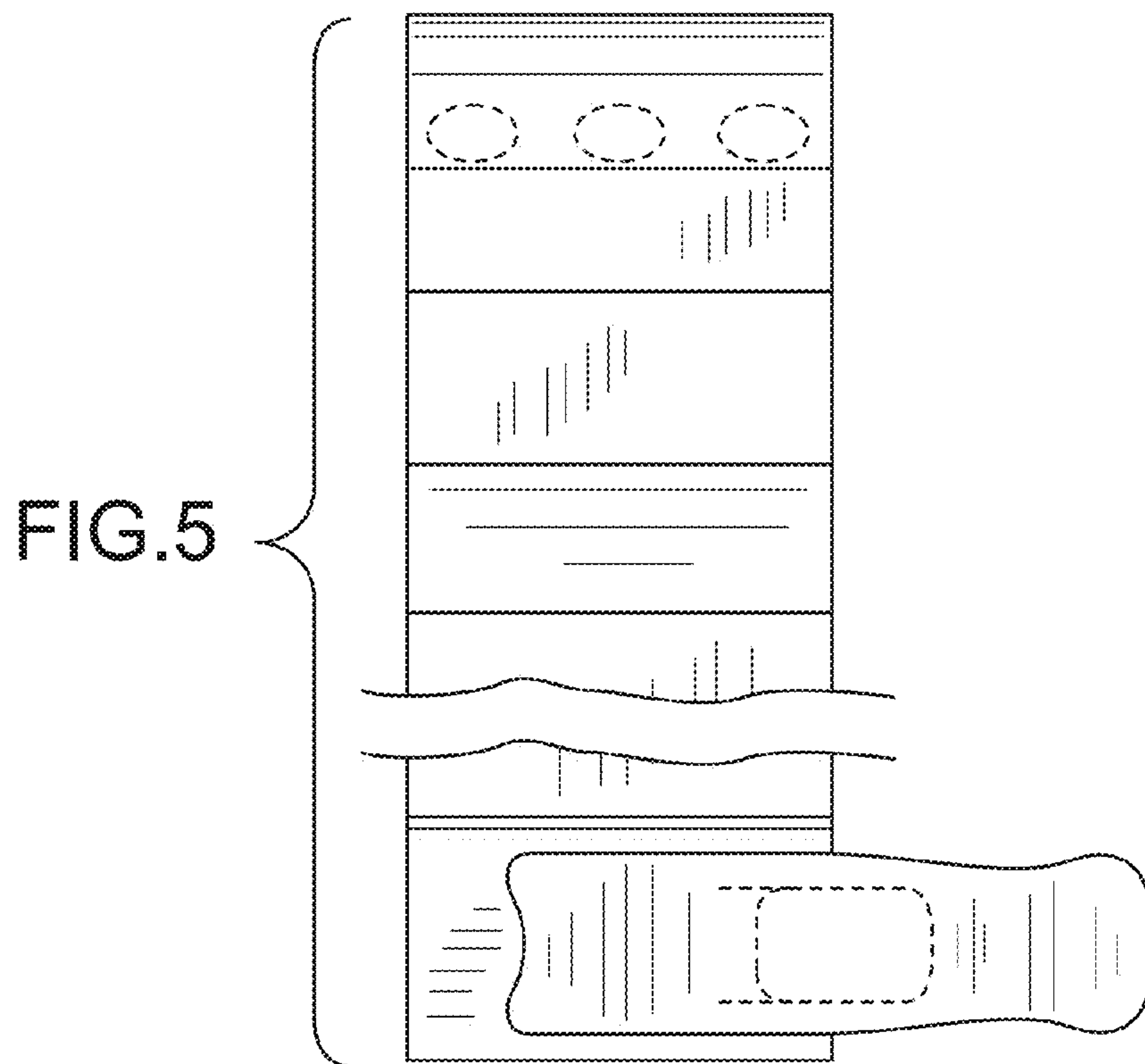
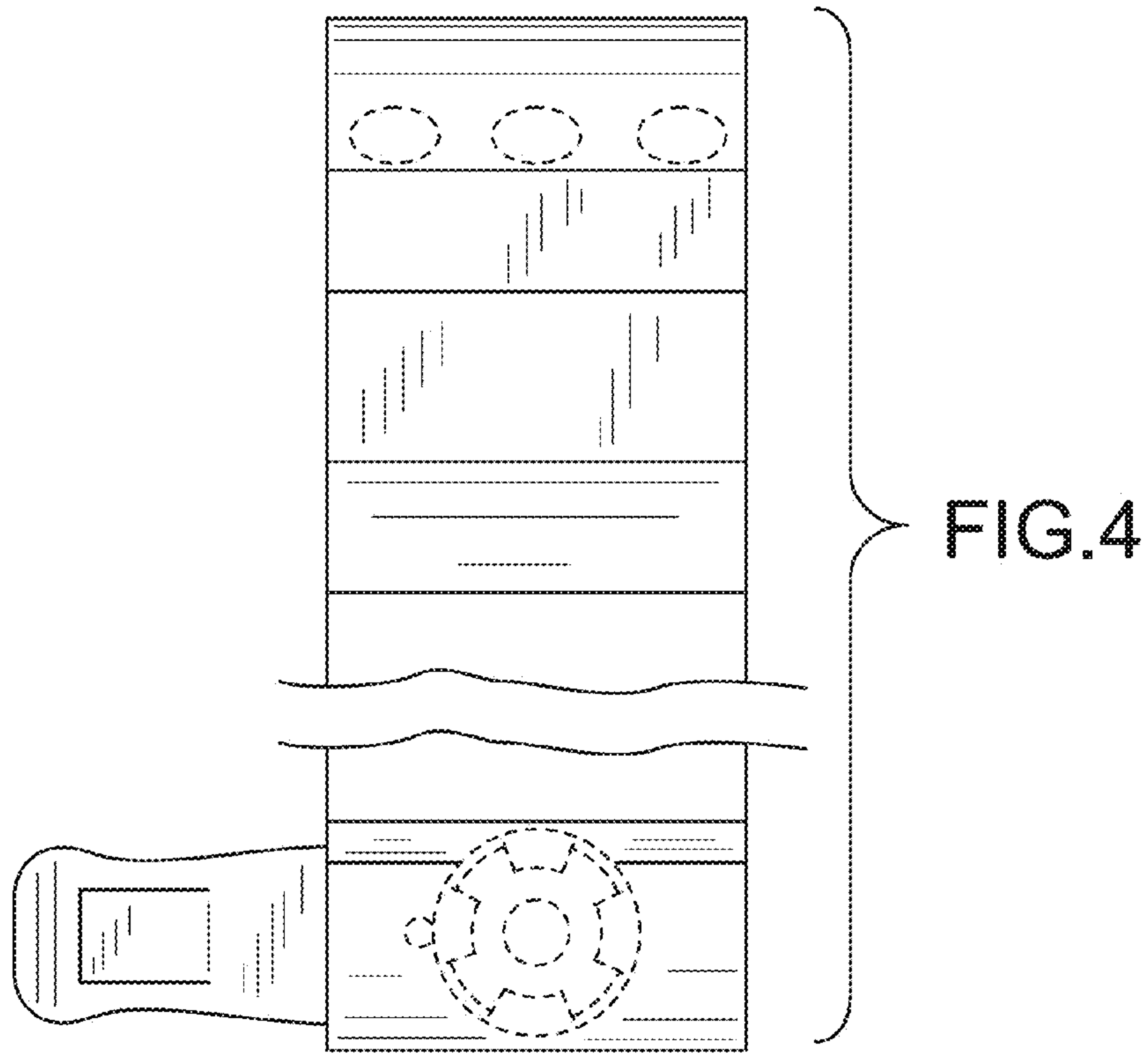


FIG.3





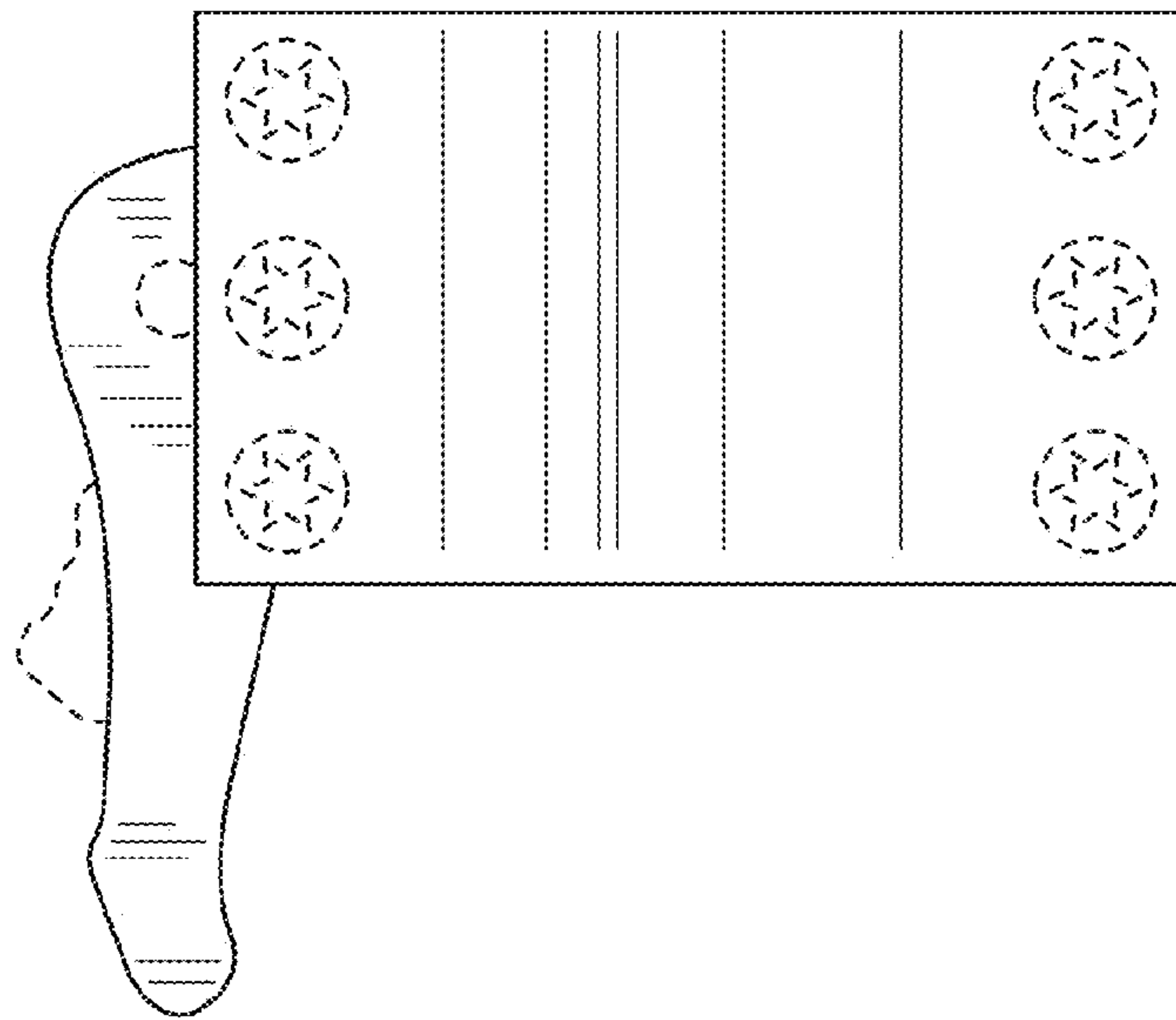


FIG. 6

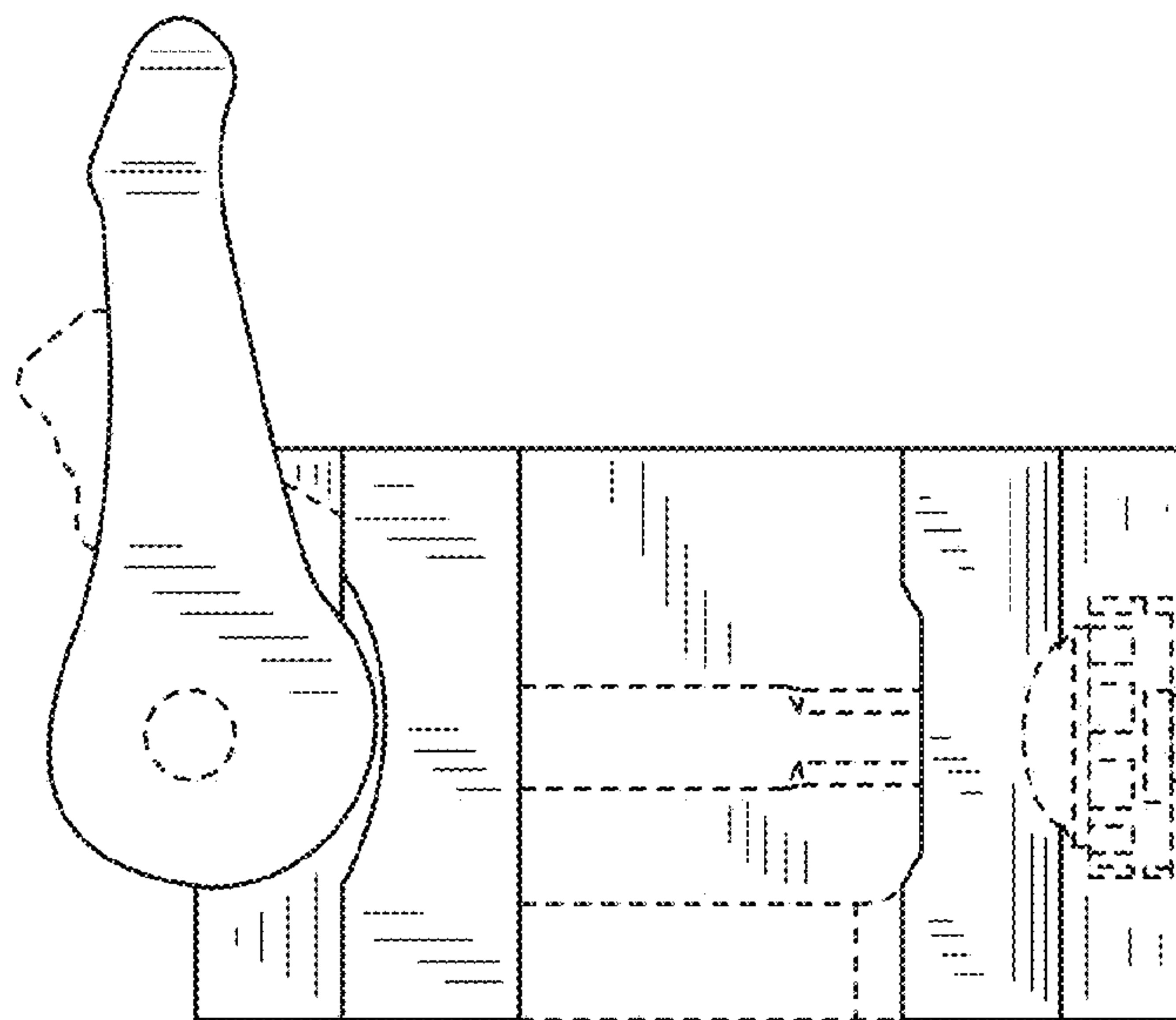


FIG. 7