



US00D697999S

(12) **United States Design Patent**
Firment

(10) **Patent No.:** **US D697,999 S**
(45) **Date of Patent:** **** Jan. 21, 2014**

(54) **CLIP-ON MAGAZINE LOADER**

(71) Applicant: **Christopher Firment**, Harborcreek, PA
(US)

(72) Inventor: **Christopher Firment**, Harborcreek, PA
(US)

(**) Term: **14 Years**

(21) Appl. No.: **29/432,691**

(22) Filed: **Sep. 19, 2012**

(51) **LOC (10) Cl.** **22-01**

(52) **U.S. Cl.**
USPC **D22/108**

(58) **Field of Classification Search**
USPC D22/108, 199; 42/87
See application file for complete search history.

(56) **References Cited**

U.S. PATENT DOCUMENTS

910,397	A *	1/1909	Laudensack	42/87
1,095,801	A *	5/1914	Browning	42/87
1,329,979	A *	2/1920	Lang	89/33.02
2,394,033	A *	2/1946	Wossum	86/47
5,417,003	A *	5/1995	Claveau	42/90
7,805,874	B2 *	10/2010	Tal et al.	42/87
2013/0232843	A1 *	9/2013	Bajuelo	42/87

* cited by examiner

Primary Examiner — Michael A Pratt

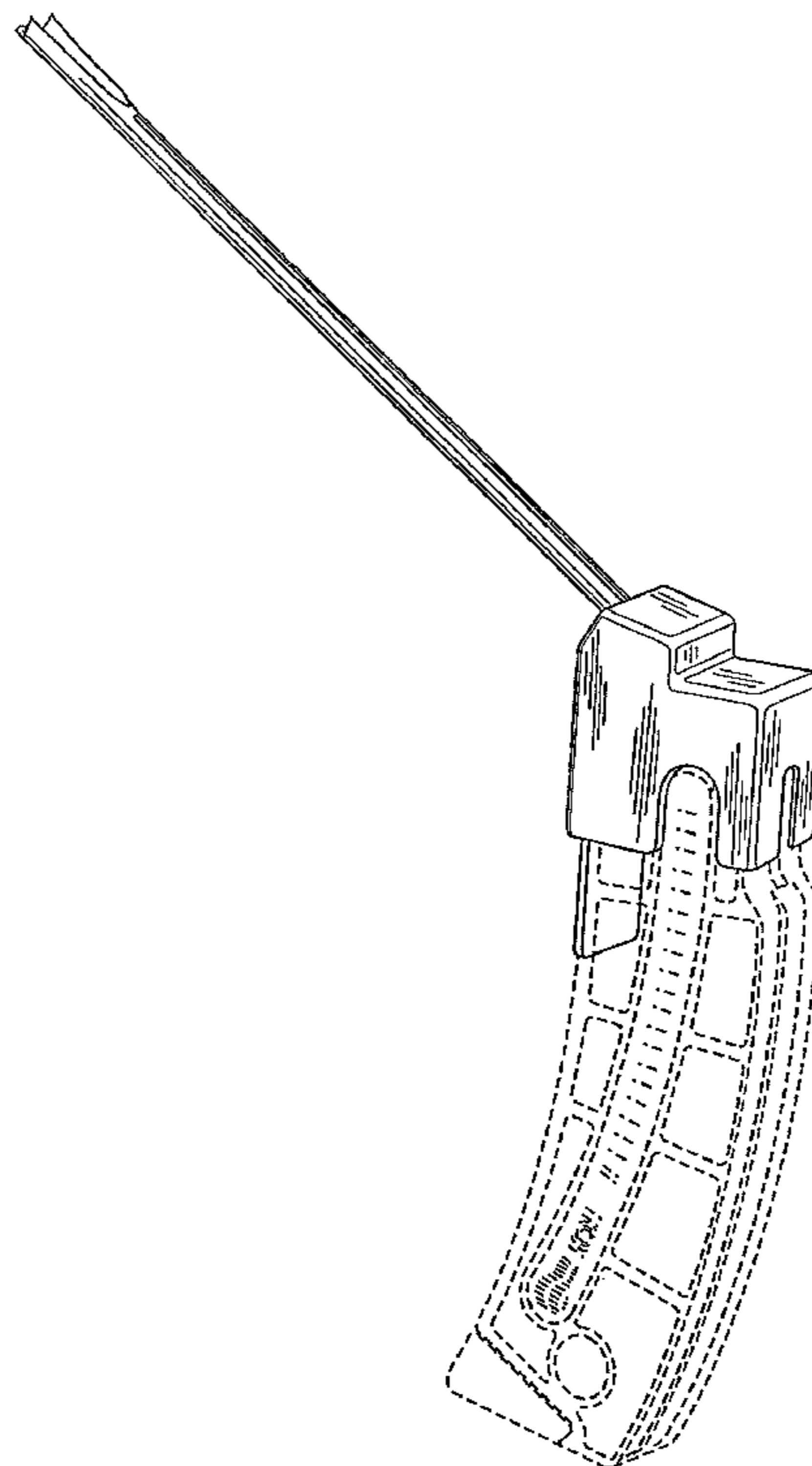
(74) *Attorney, Agent, or Firm* — Jonathan M. D’Silva;
MacDonald, Illig, Jones & Britton LLP

(57) **CLAIM**
The ornamental design for a clip-on magazine loader, as shown and described.

DESCRIPTION

FIG. 1 is a perspective view of the clip-on magazine loader mounted to a magazine;
FIG. 2 is a perspective view of the clip-on magazine loader shown in FIG. 1;
FIG. 3 is a left hand facing side view of the clip-on magazine loader shown in FIG. 1;
FIG. 4 is a right hand facing side view of the clip-on magazine loader shown in FIG. 1;
FIG. 5 is a top view of the clip-on magazine loader shown in FIG. 1;
FIG. 6 is a bottom view of the clip-on magazine loader shown in FIG. 1;
FIG. 7 is a rear end view of the clip-on magazine loader shown in FIG. 1; and,
FIG. 8 is a front end view of the clip-on magazine loader shown in FIG. 1.
The magazine which the clip-on magazine loader is mounted to in FIG. 1 is illustrated with broken lines and is included for the purpose of illustrating the environment of the design only and forms no part of the claimed design. The broken lines in FIG. 6 are included for the purpose of illustrating a portion of the clip-on magazine loader that forms no part of the claimed design.

1 Claim, 4 Drawing Sheets



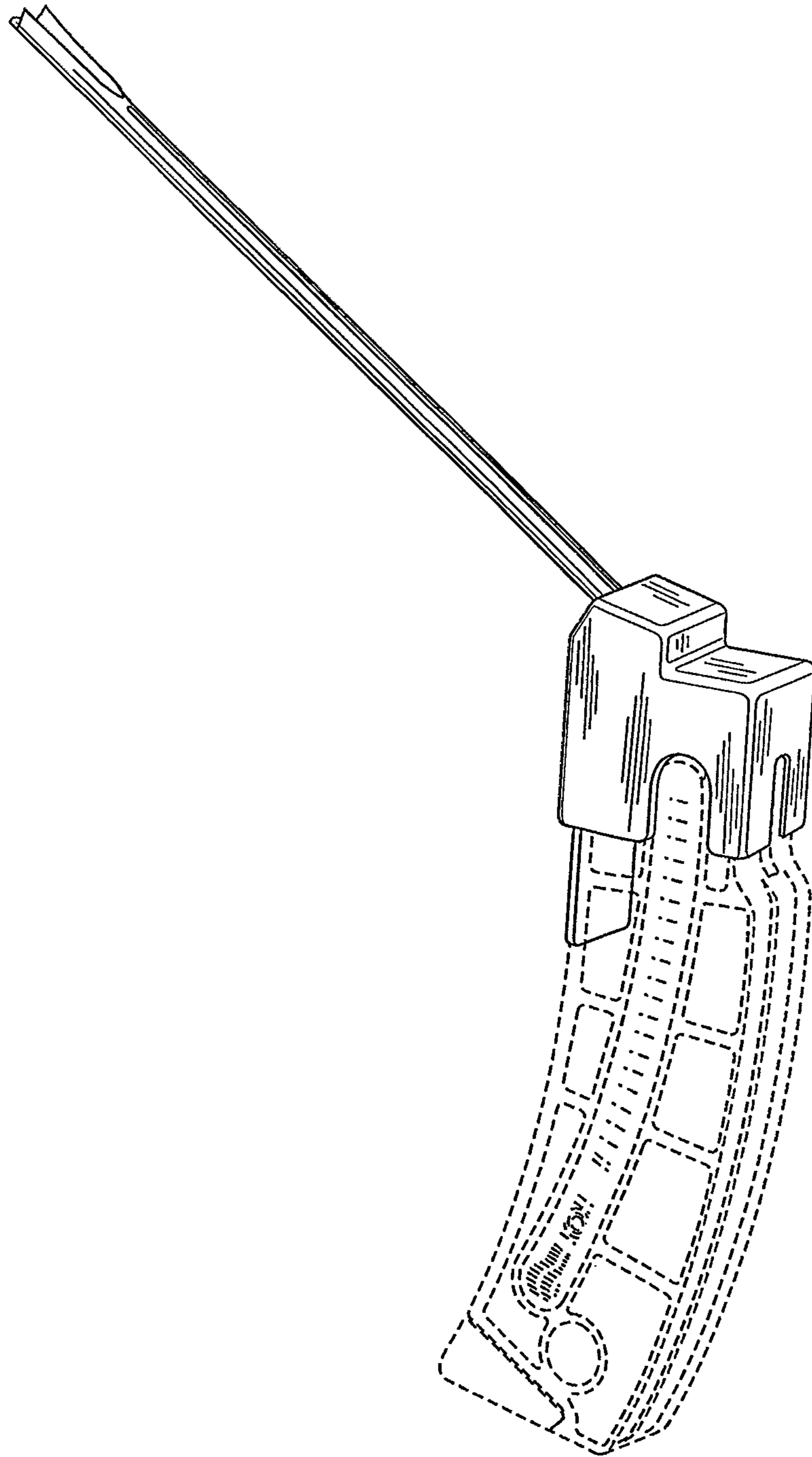


Fig.1

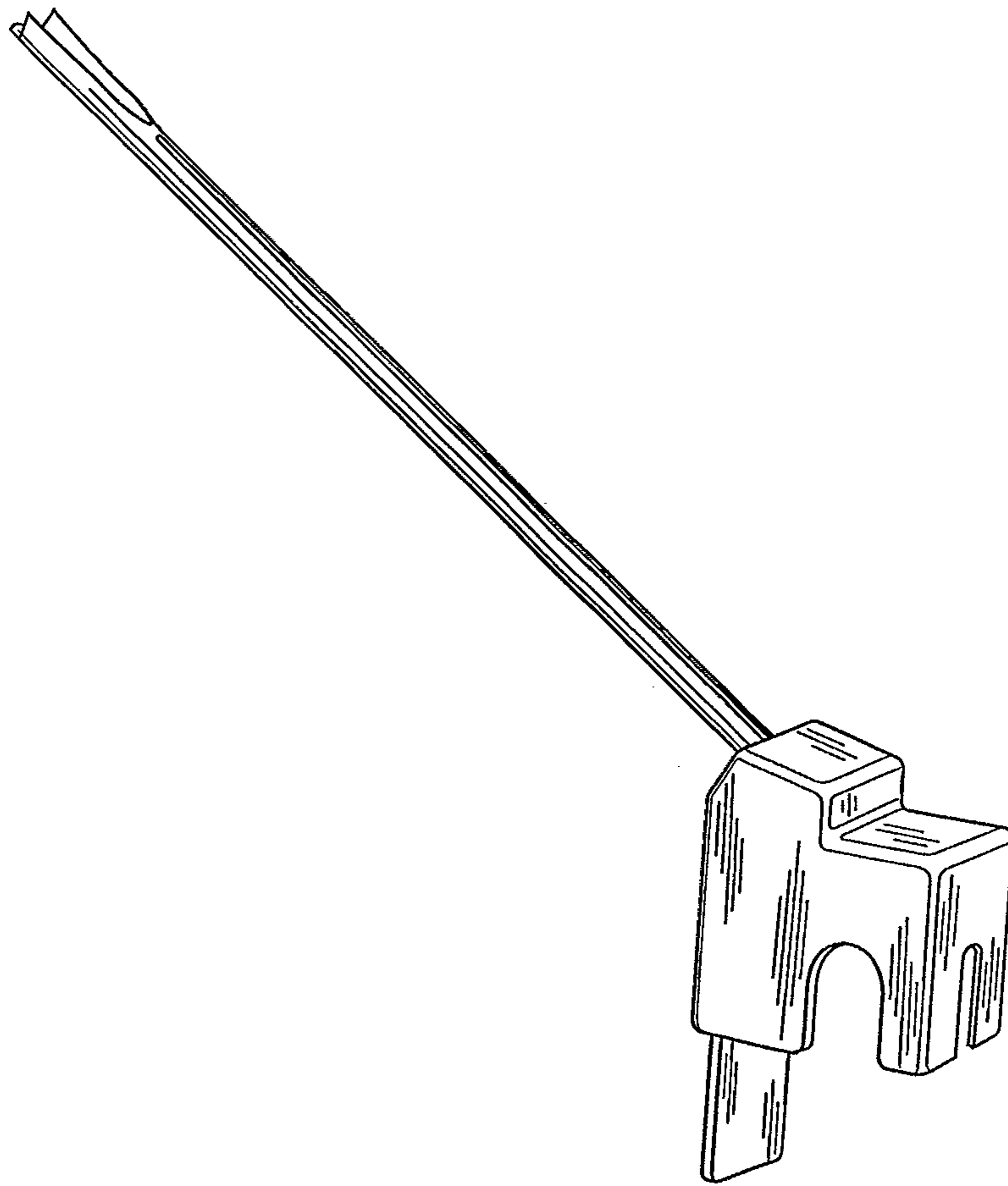


Fig.2

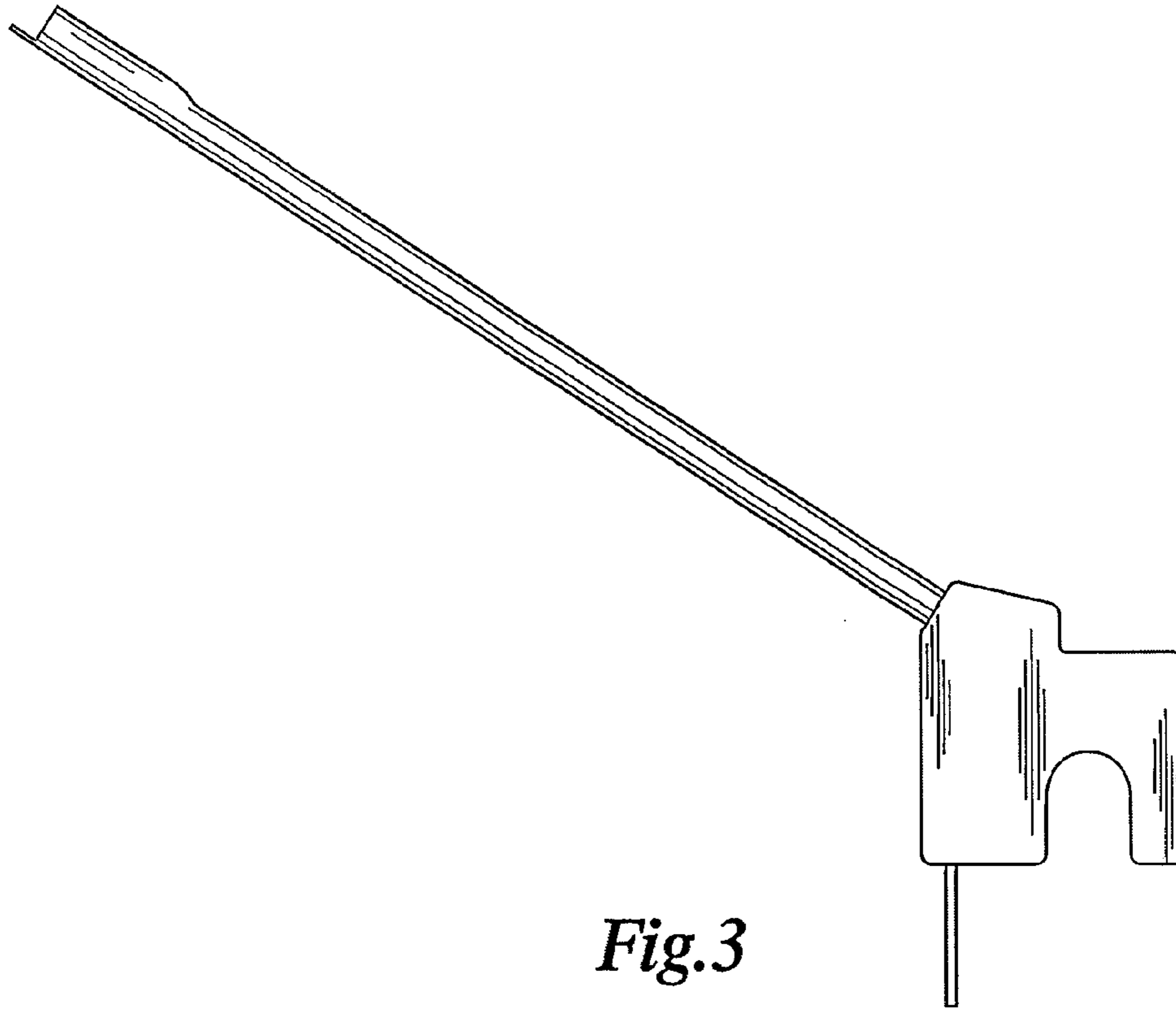


Fig.3

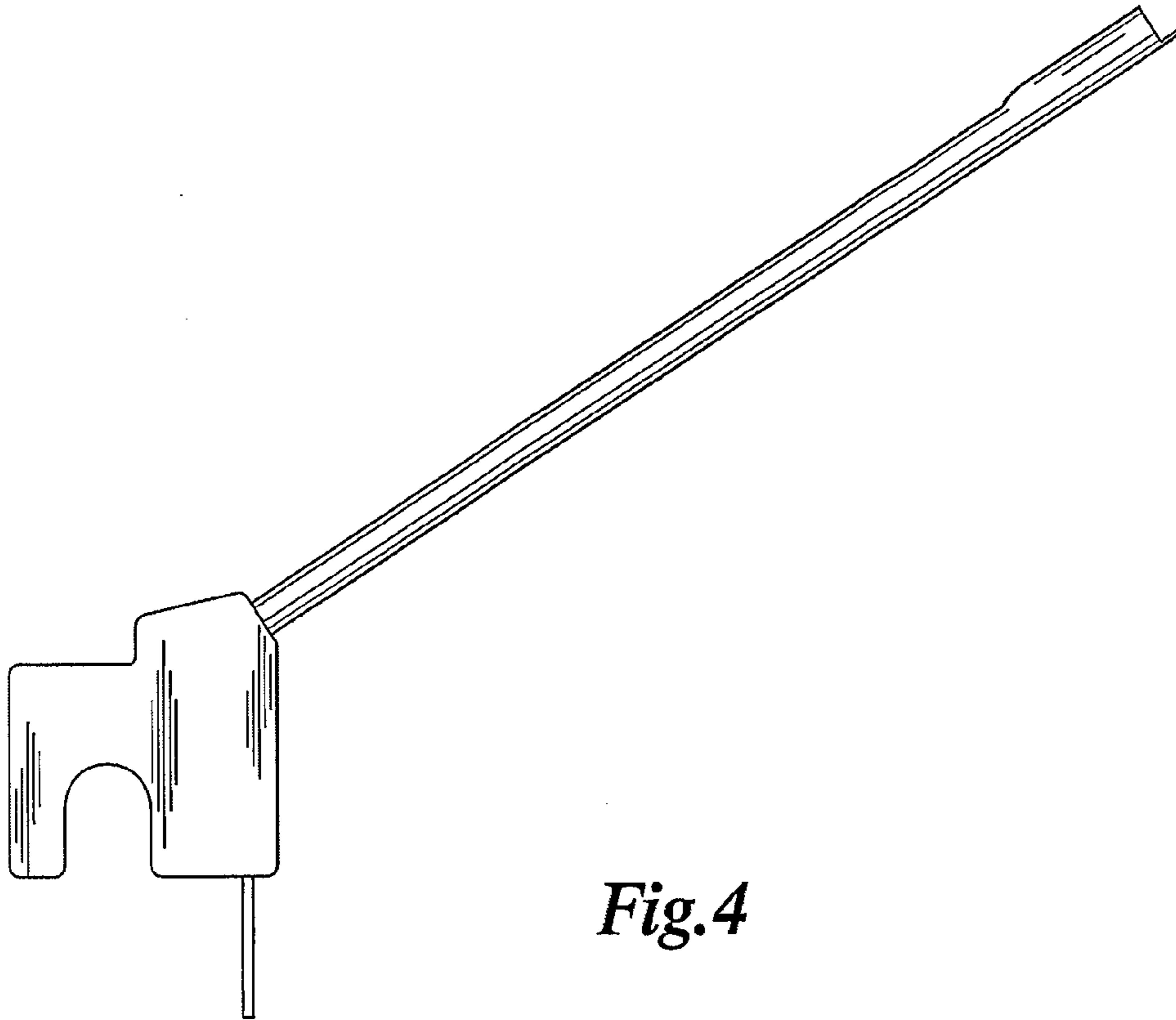


Fig.4

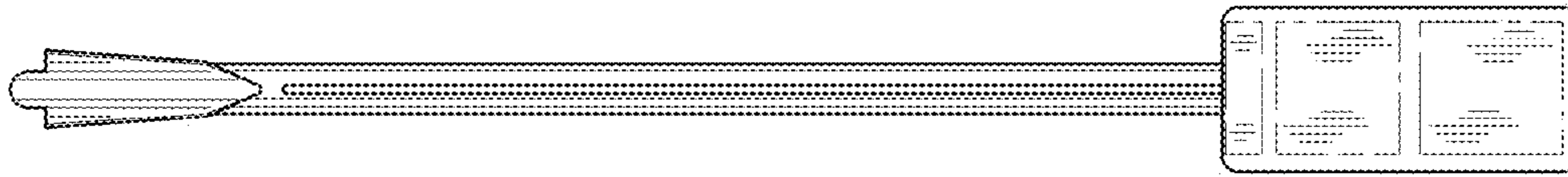


Fig. 5

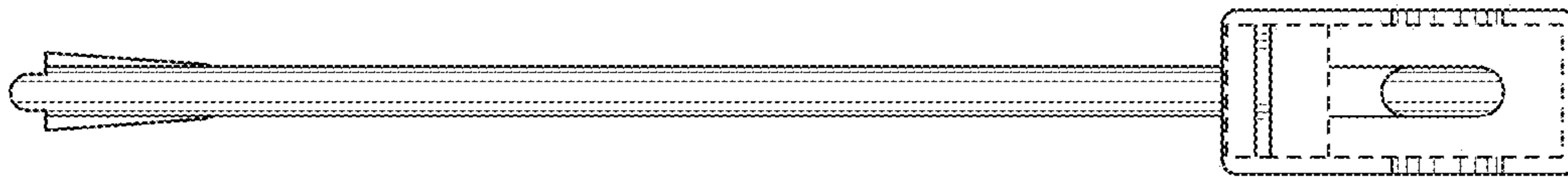


Fig. 6

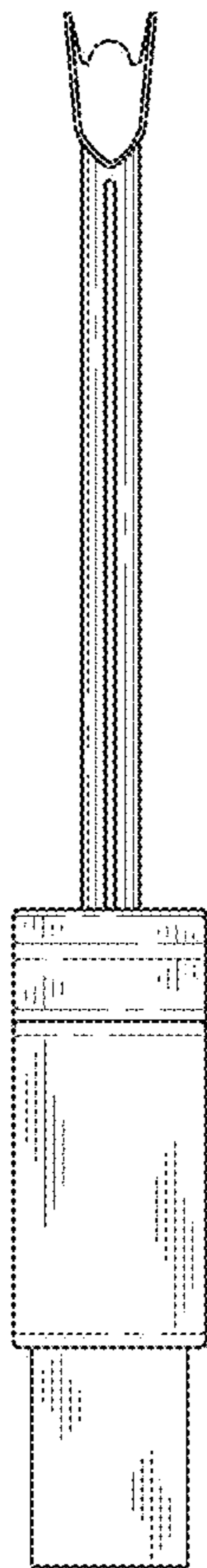


Fig. 7

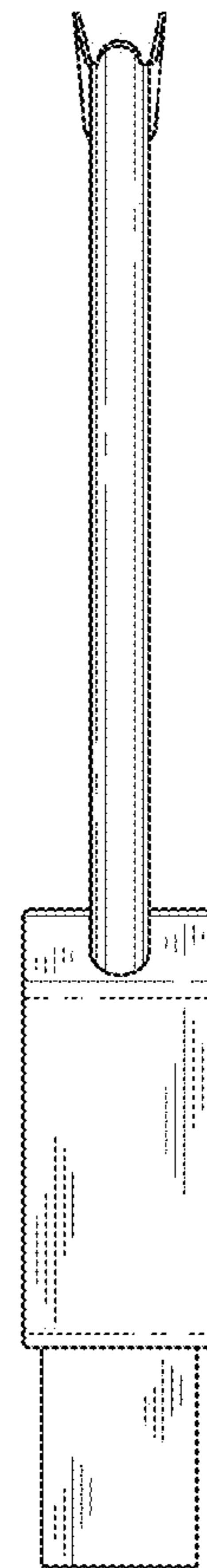


Fig. 8