



US00D697998S

(12) **United States Design Patent**  
**Grossman et al.**

(10) **Patent No.:** **US D697,998 S**  
(45) **Date of Patent:** **\*\* Jan. 21, 2014**

- (54) **SAFETY INDEX FOR A FIREARM**
- (75) Inventors: **David A. Grossman**, Mascoutah, IL (US); **Jonathon D. Grossman**, Mascoutah, IL (US); **Bruce K. Siddle**, Mascoutah, IL (US)
- (73) Assignees: **David A. Grossman**, Mascoutah, IL (US); **Jonathon D. Grossman**, Mascoutah, IL (US); **Bruce K. Siddle**, Mascoutah, IL (US)
- (\*\*) Term: **14 Years**
- (21) Appl. No.: **29/429,863**
- (22) Filed: **Aug. 17, 2012**
- (51) **LOC (10) Cl.** ..... **22-01**
- (52) **U.S. Cl.**  
USPC ..... **D22/108**
- (58) **Field of Classification Search**  
USPC ..... D22/104, 105, 108, 109, 110, 117;  
42/90, 94, 124, 144, 148, 104;  
D21/573-574  
See application file for complete search history.

(56) **References Cited**

**U.S. PATENT DOCUMENTS**

1,277,002	A *	8/1918	Van Name	.....	42/71.01
1,890,005	A *	12/1932	Stiennon	.....	42/42.01
2,270,707	A	1/1942	Humski		
D142,016	S *	8/1945	Birk	.....	D22/104
6,388,655	B1 *	5/2002	Leung	.....	345/157
8,497,767	B2 *	7/2013	Hollis, Jr.	.....	340/407.1
2013/0000173	A1 *	1/2013	Green et al.	.....	42/70.11
2013/0081318	A1 *	4/2013	Morando	.....	42/108

**OTHER PUBLICATIONS**

- U.S. Appl. No. 29/429,844, filed Aug. 17, 2012.
- U.S. Appl. No. 29/429,847, filed Aug. 17, 2012.
- U.S. Appl. No. 29/429,857, filed Aug. 17, 2012.
- U.S. Appl. No. 13/588,743, filed Aug. 17, 2012.
- U.S. Appl. No. 13/588,690, filed Aug. 17, 2012.
- U.S. Appl. No. 13/588,722, filed Aug. 17, 2012.

U.S. Appl. No. 13/588,759, filed Aug. 17, 2012.  
U.S. Appl. No. 29/433,523, filed Oct. 1, 2012.  
U.S. Appl. No. 13/632,565, filed Oct. 1, 2012.

\* cited by examiner

*Primary Examiner* — Michael A Pratt

(74) *Attorney, Agent, or Firm* — Thompson Coburn LLP

(57) **CLAIM**

The ornamental design for a safety index for a firearm, as shown and described.

**DESCRIPTION**

FIG. 1 is a partial right side elevational view of a firearm showing a safety index of our new design comprising an elongated depression with raised center dots on a right side of a frame of the firearm;

FIG. 2 is a partial left side elevational view of the firearm of FIG. 1;

FIG. 3 is a partial perspective view of the safety index of the firearm of FIG. 1;

FIG. 4 is a partial perspective view of the of the firearm of FIG. 1;

FIG. 5 is a partial alternate perspective view of the firearm of FIG. 1;

FIG. 6 is a partial alternate perspective view of the safety index of the firearm of FIG. 1;

FIG. 7 is an enlarged partial cross-section view of the safety index of the firearm of FIG. 1 taken along lines 7-7 of FIG. 1;

FIG. 8 is a partial left side elevational view of a firearm showing an alternate embodiment of a safety index of our new design comprising an elongated depression with raised center dots on a left side of a frame of the firearm;

FIG. 9 is a partial right side elevational view of the firearm of FIG. 8;

FIG. 10 is a partial perspective view of the firearm of FIG. 8;

FIG. 11 is a partial perspective view of the safety index of the firearm of FIG. 8;

FIG. 12 is a partial alternate perspective view of the safety index of the firearm of FIG. 8;

FIG. 13 is a partial alternate perspective view of the firearm of FIG. 8;

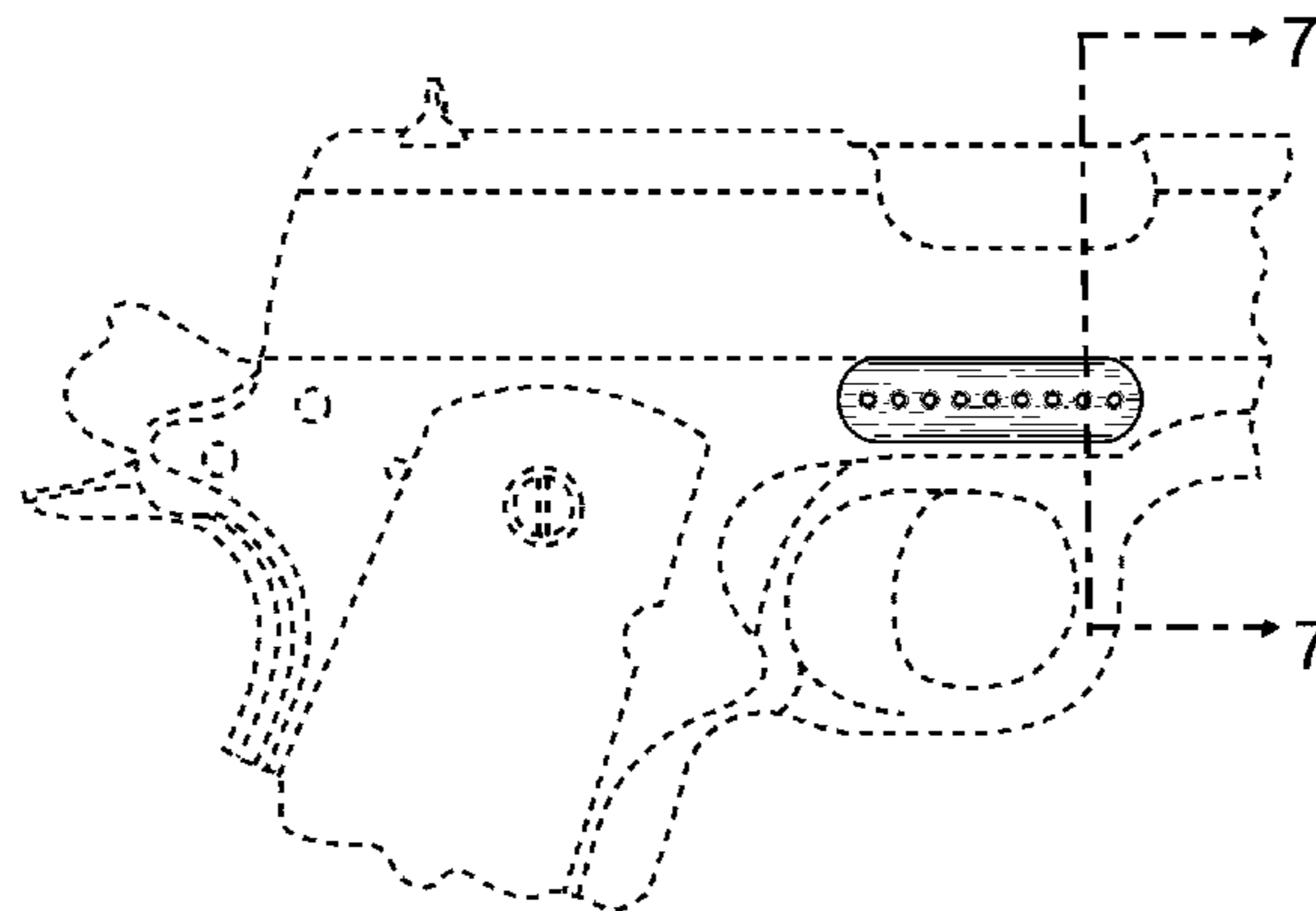


FIG. **14** is an enlarged partial cross-section view of the safety index of the firearm of FIG. **8** taken along lines **14-14** of FIG. **8**;

FIG. **15** is a partial right side elevational view of a firearm showing an alternate embodiment of the safety index of our new design comprising an elongated depression with raised center dots on a right side of a frame of the firearm;

FIG. **16** is a partial left side elevational view of the firearm of FIG. **15** showing a safety index of our new design comprising an elongated depression with raised center dots on a left side of a frame of the firearm;

FIG. **17** is a partial alternate perspective view of the safety index of the firearm of FIG. **15**;

FIG. **18** is a partial alternate perspective view of the safety index of the firearm of FIG. **15**;

FIG. **19** is a partial alternate perspective view of safety index of the firearm of FIG. **15**;

FIG. **20** is a partial alternate perspective view of the safety index of the firearm of FIG. **15**; and,

FIG. **21** is an enlarged partial cross-section view of the safety index of the firearm of FIG. **15** taken along lines **21-21** of FIG. **15**.

The dashed lines within the figures are for illustrative purposes only and form no part of the claimed design.

**1 Claim, 11 Drawing Sheets**

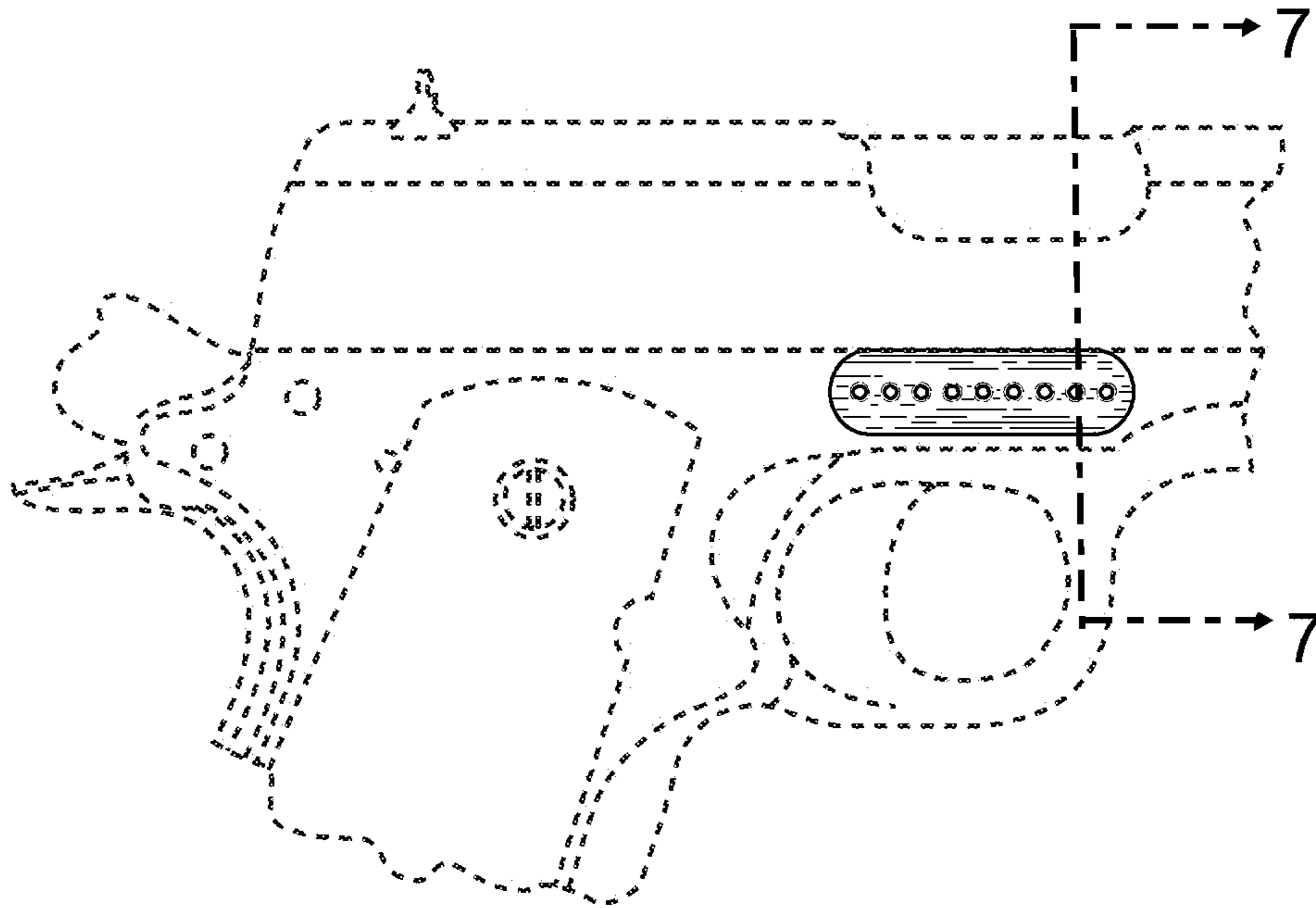


FIG. 1

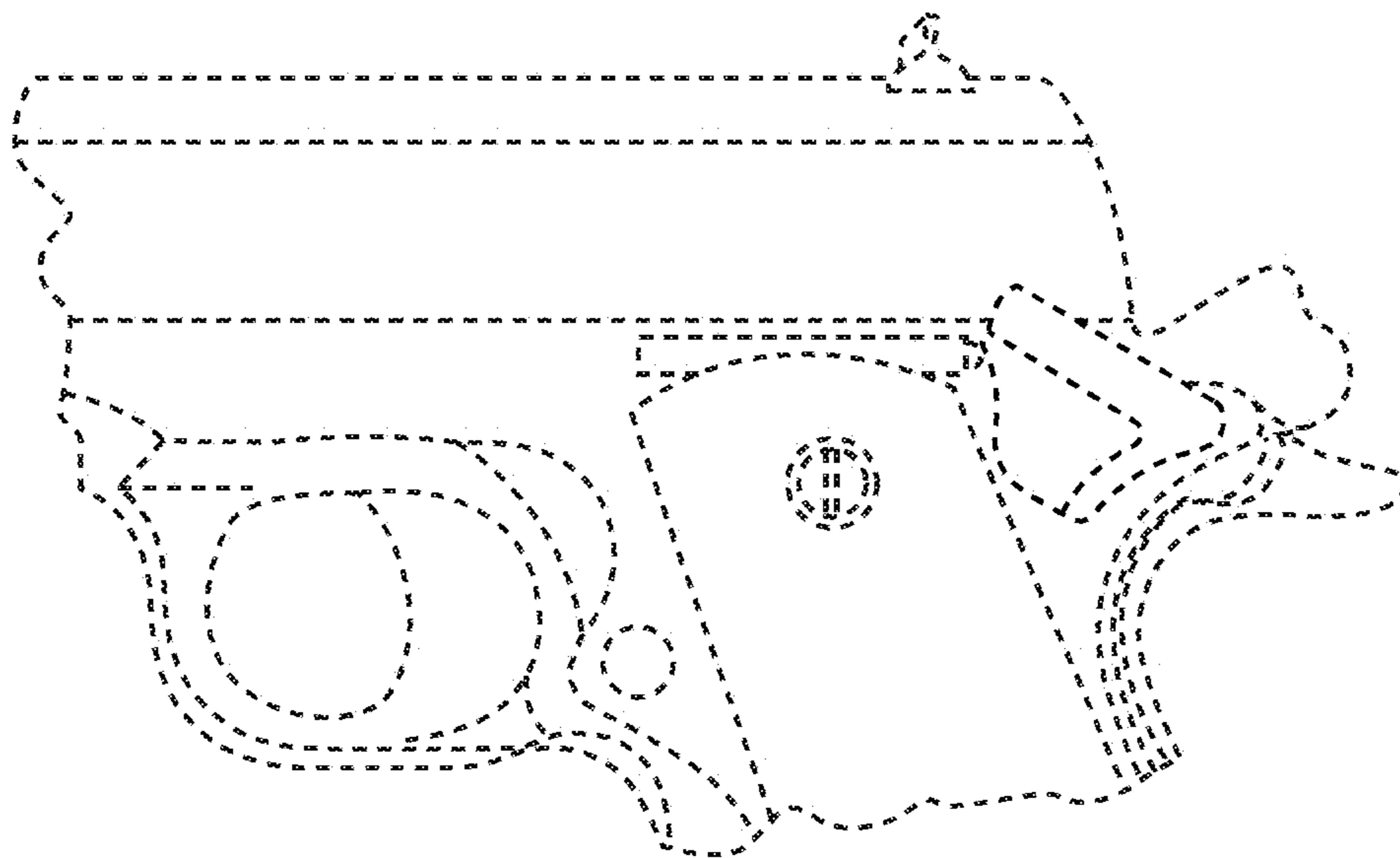


FIG. 2

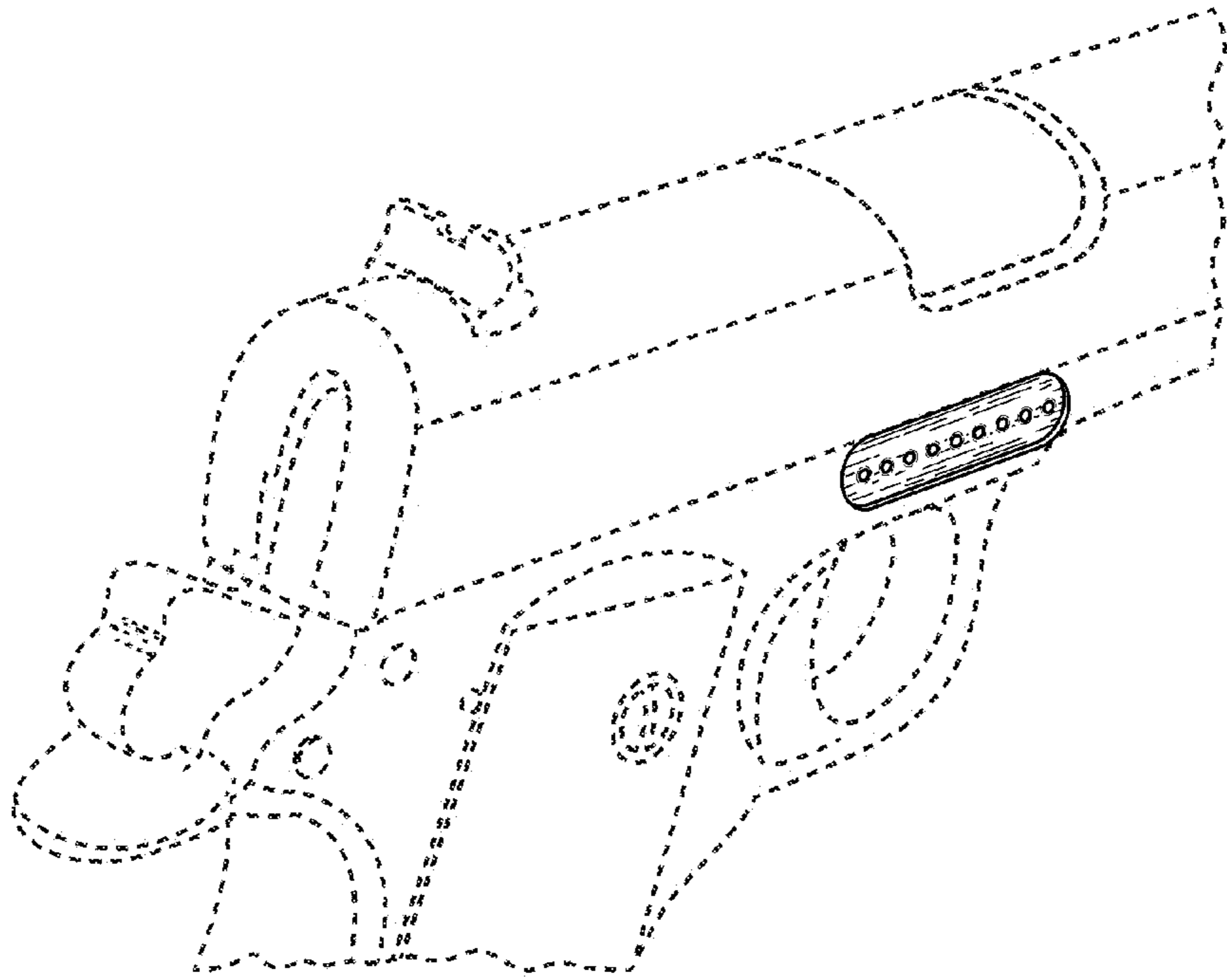


FIG. 3

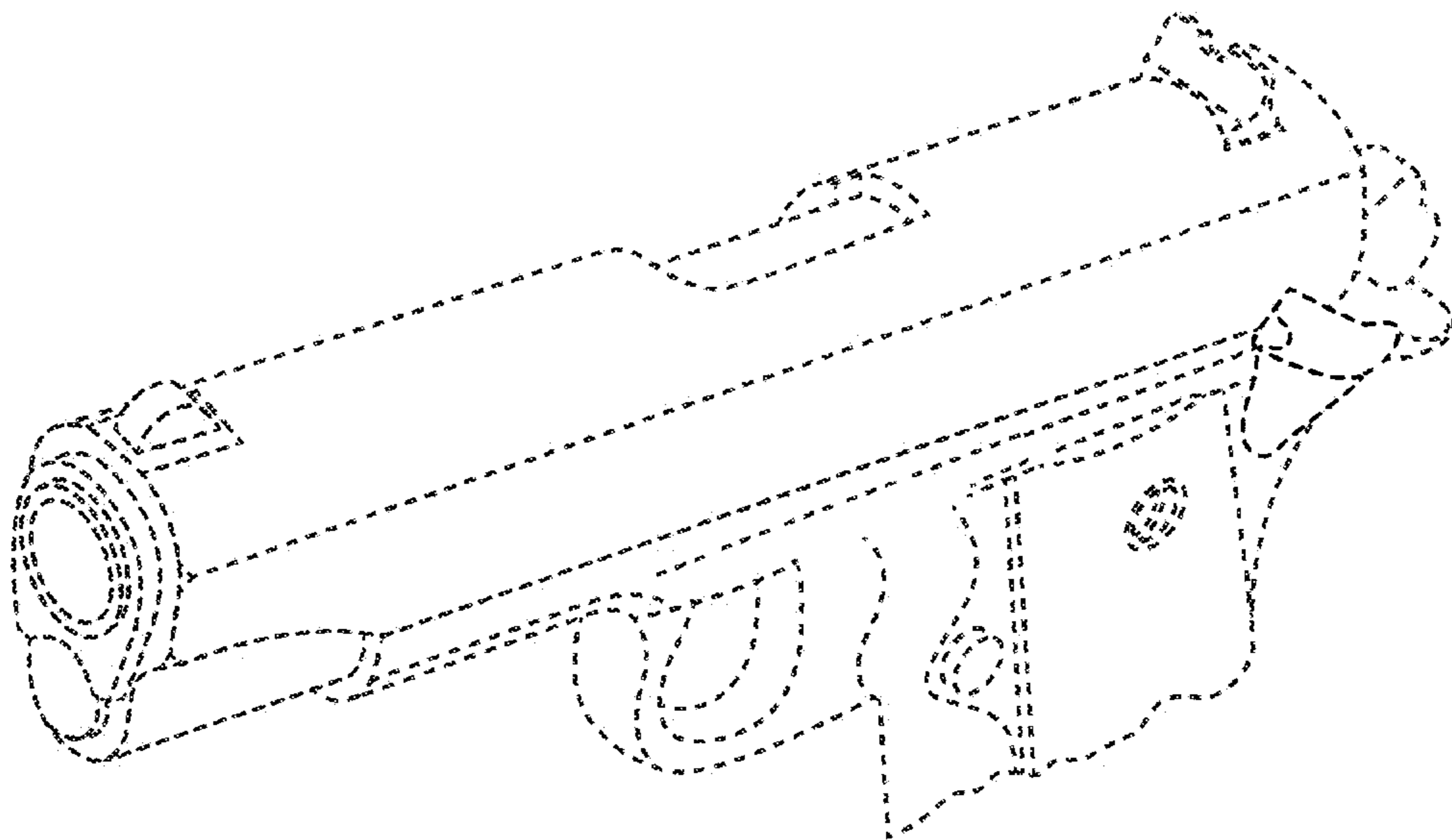


FIG. 4

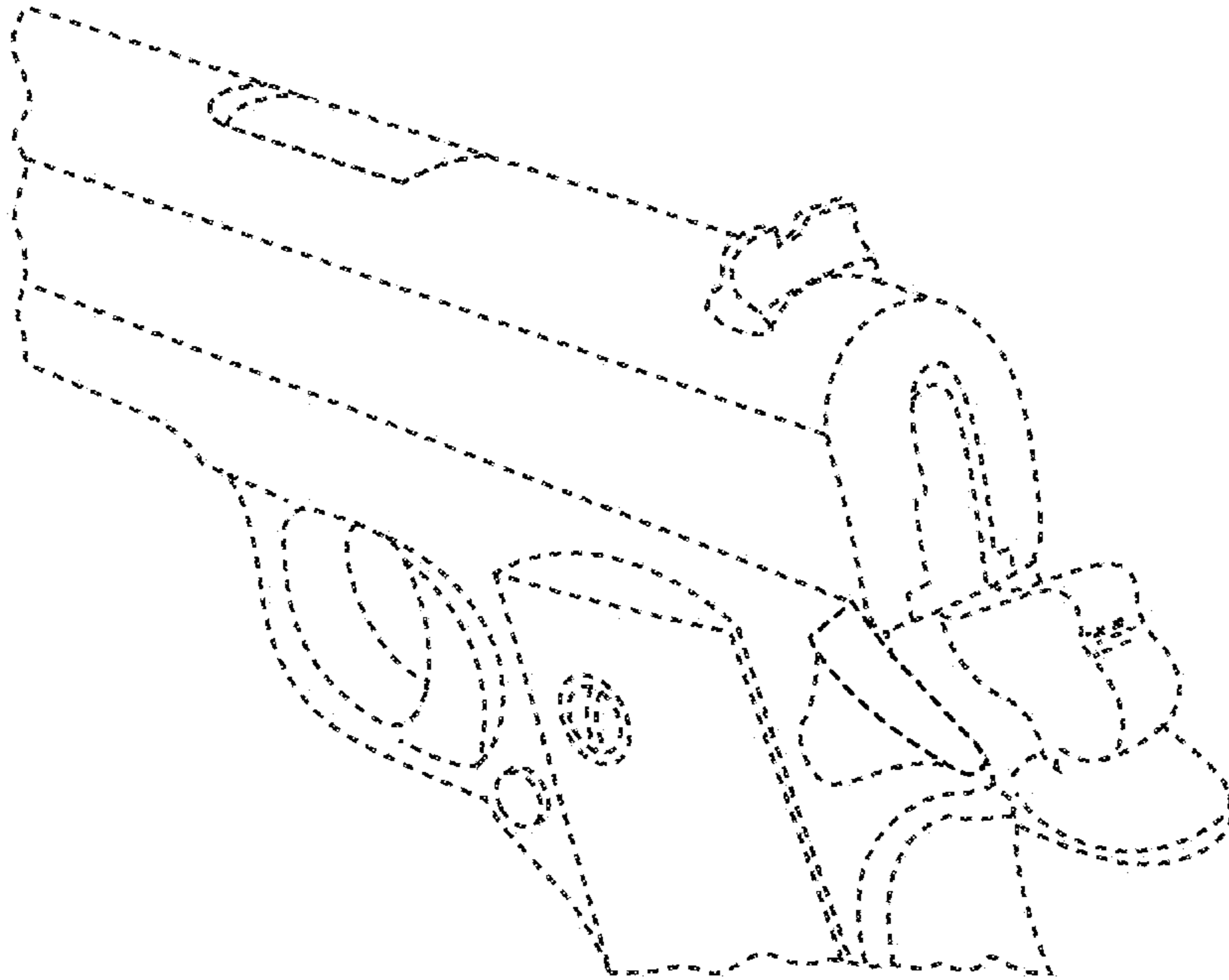


FIG. 5

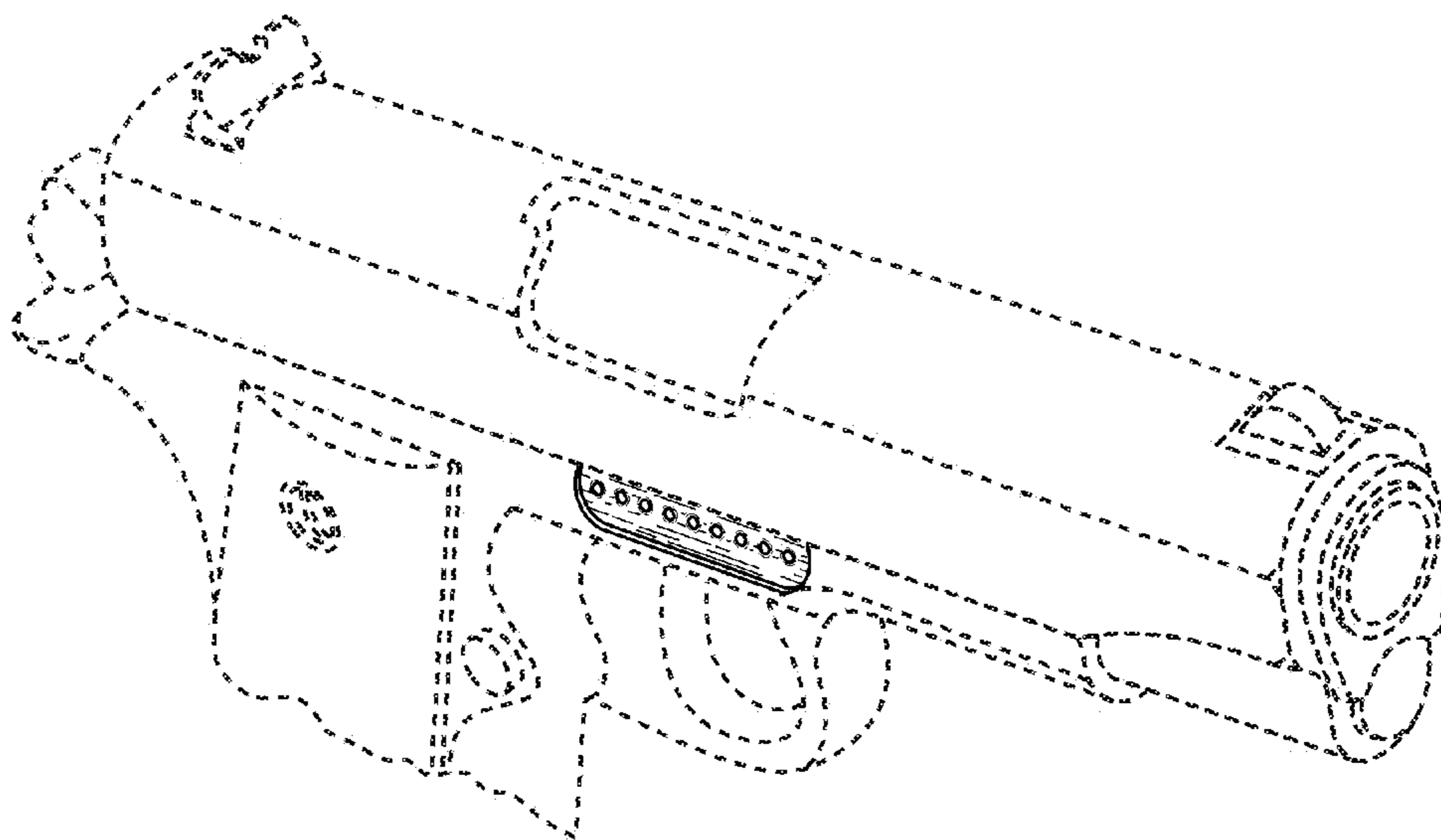


FIG. 6

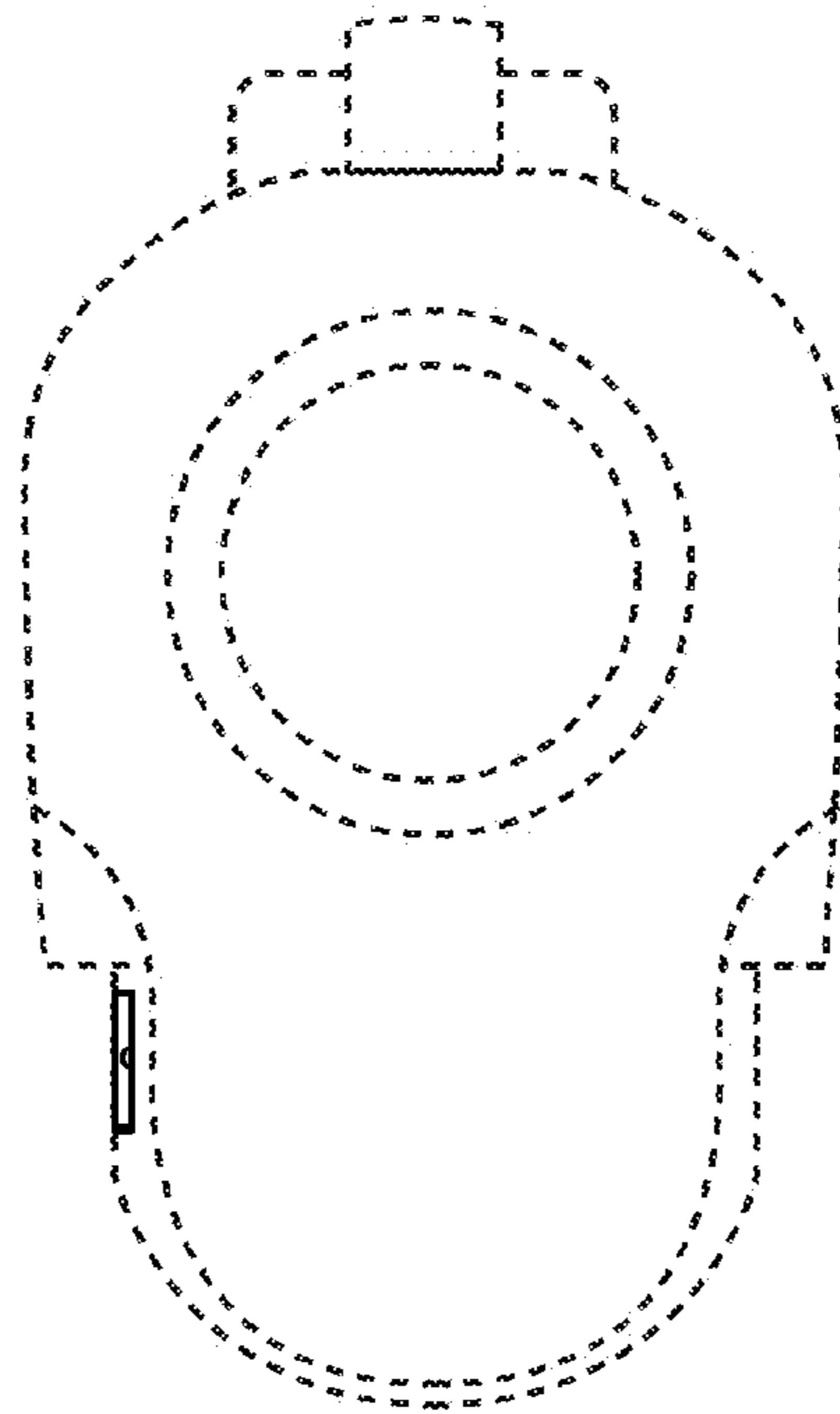


FIG. 14

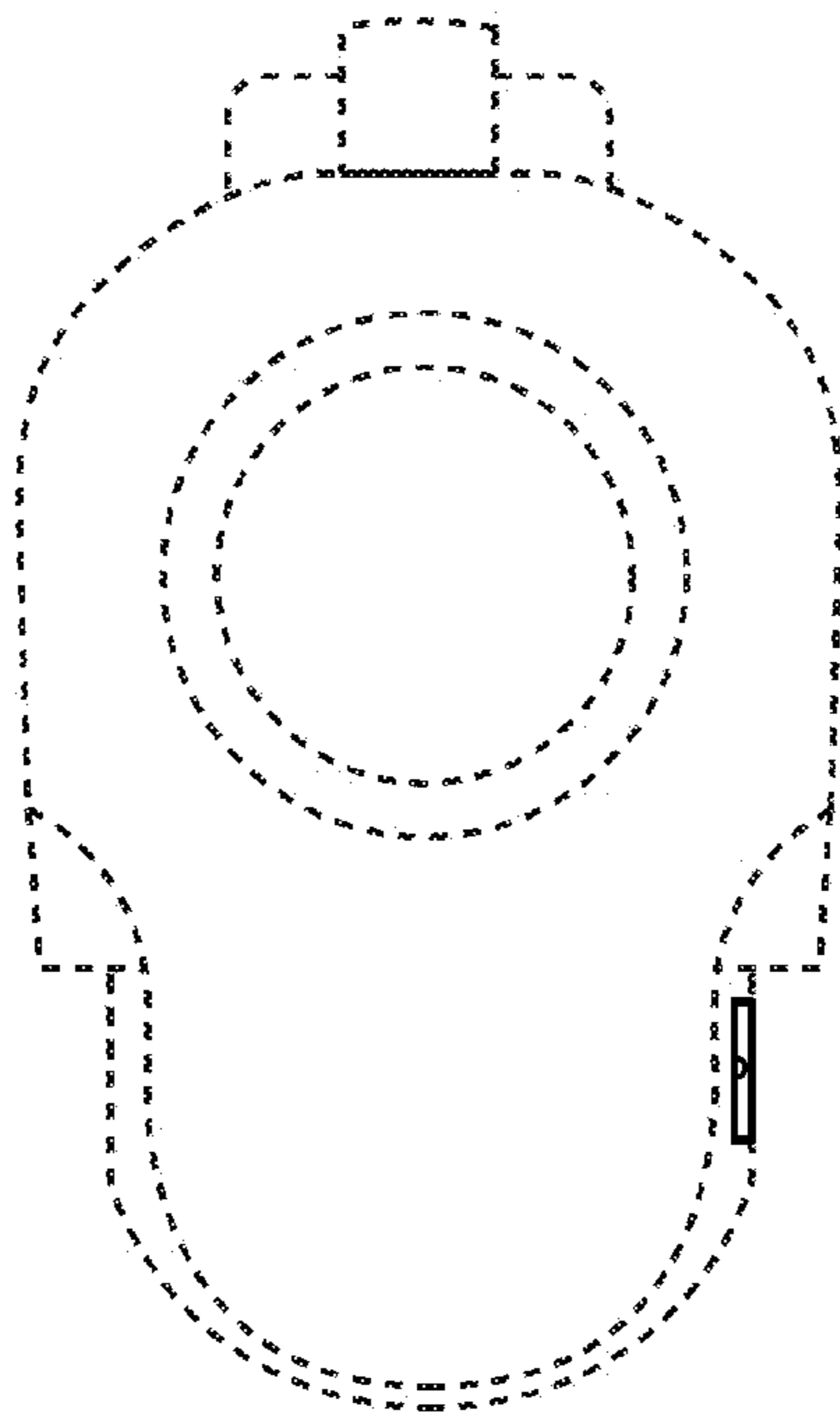


FIG. 7

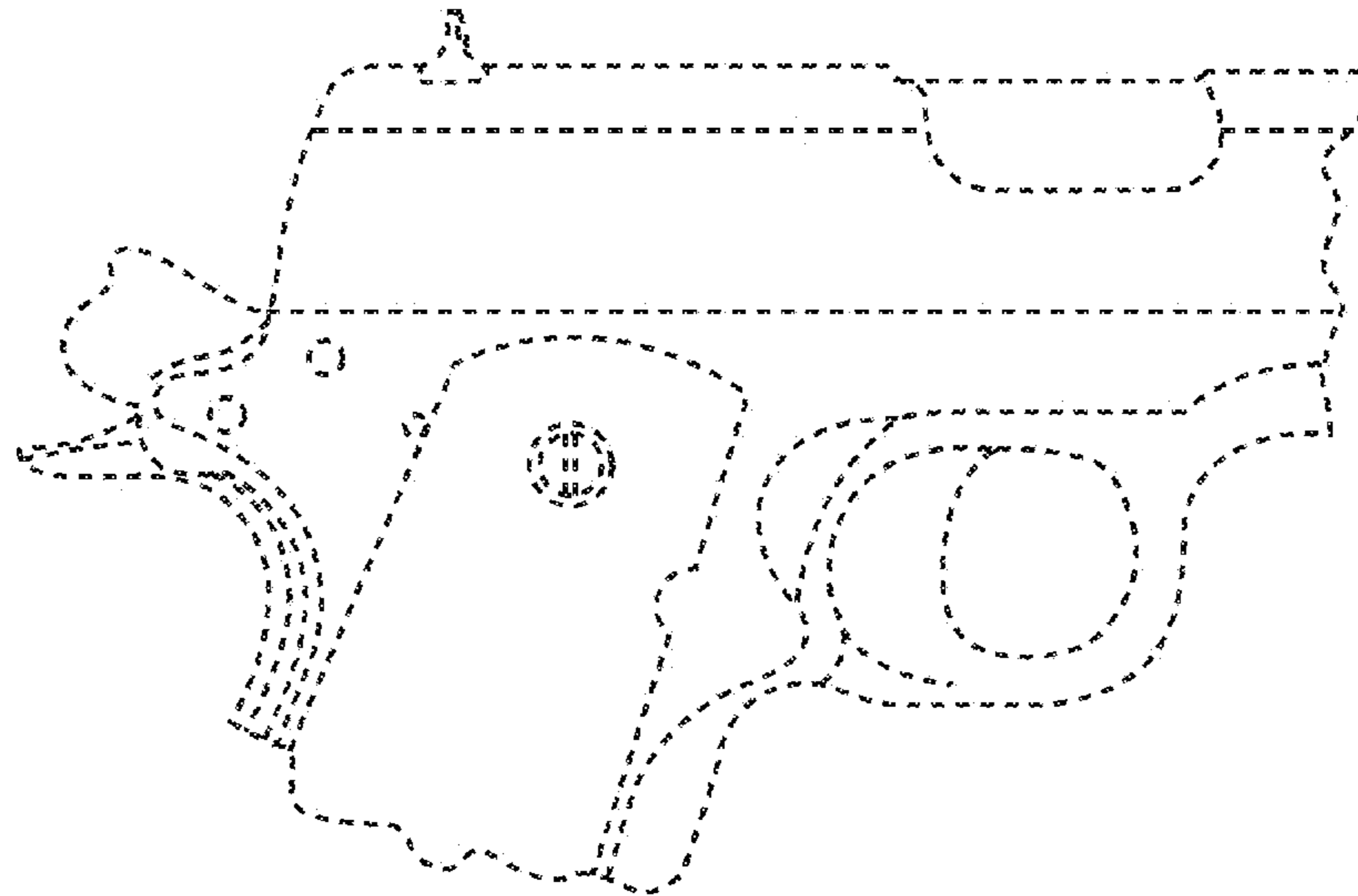


FIG. 9

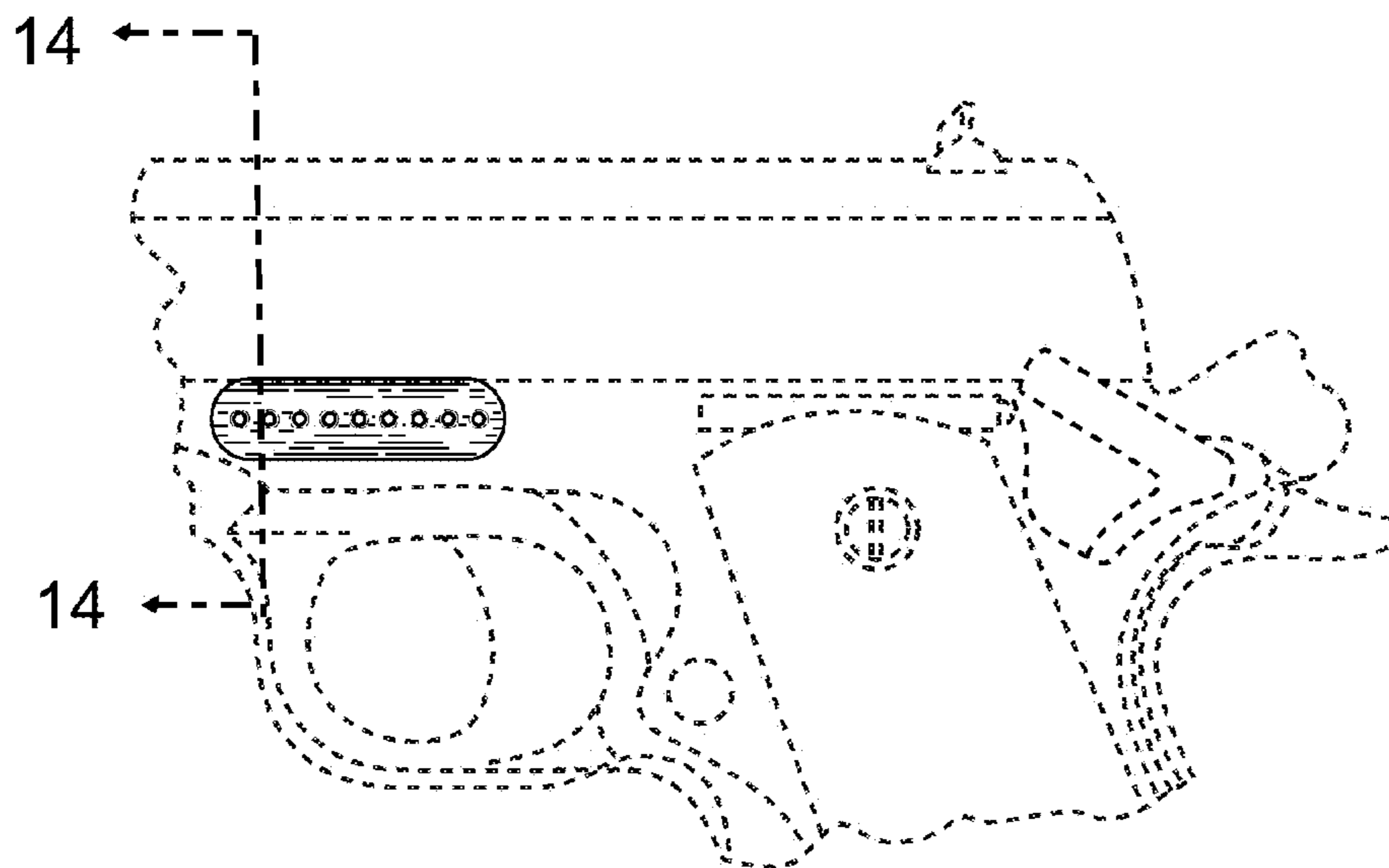


FIG. 8

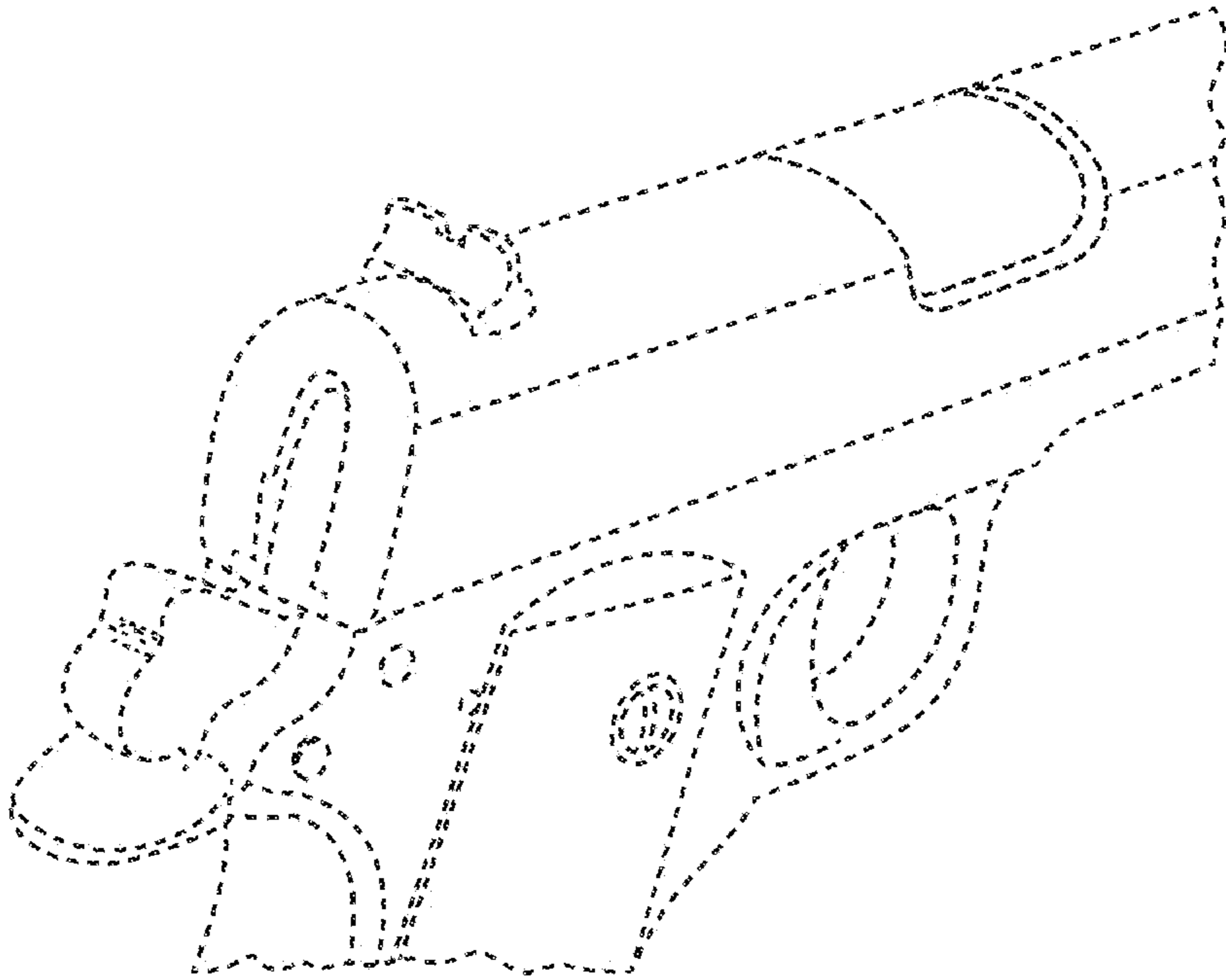


FIG. 10

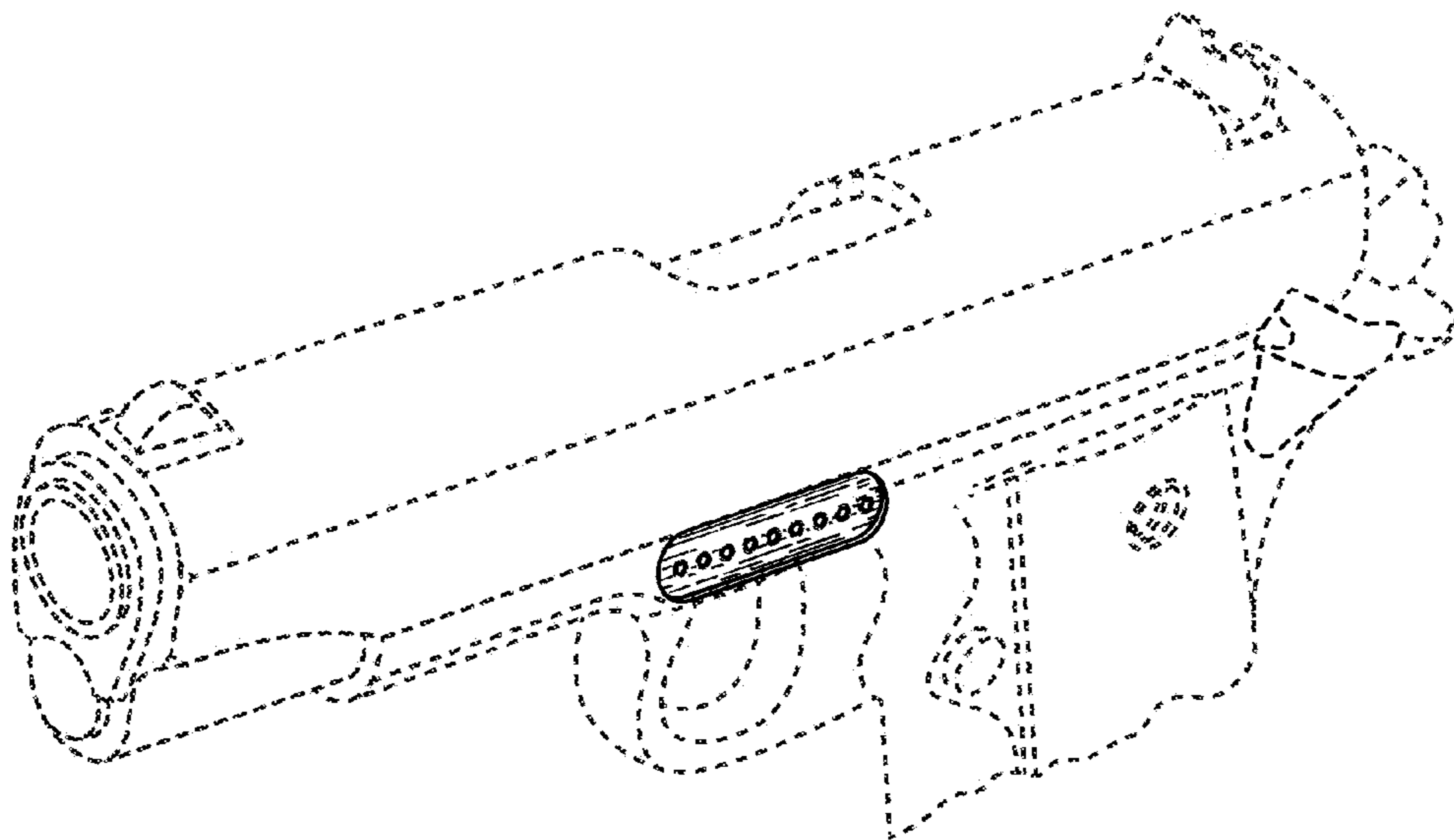


FIG. 11



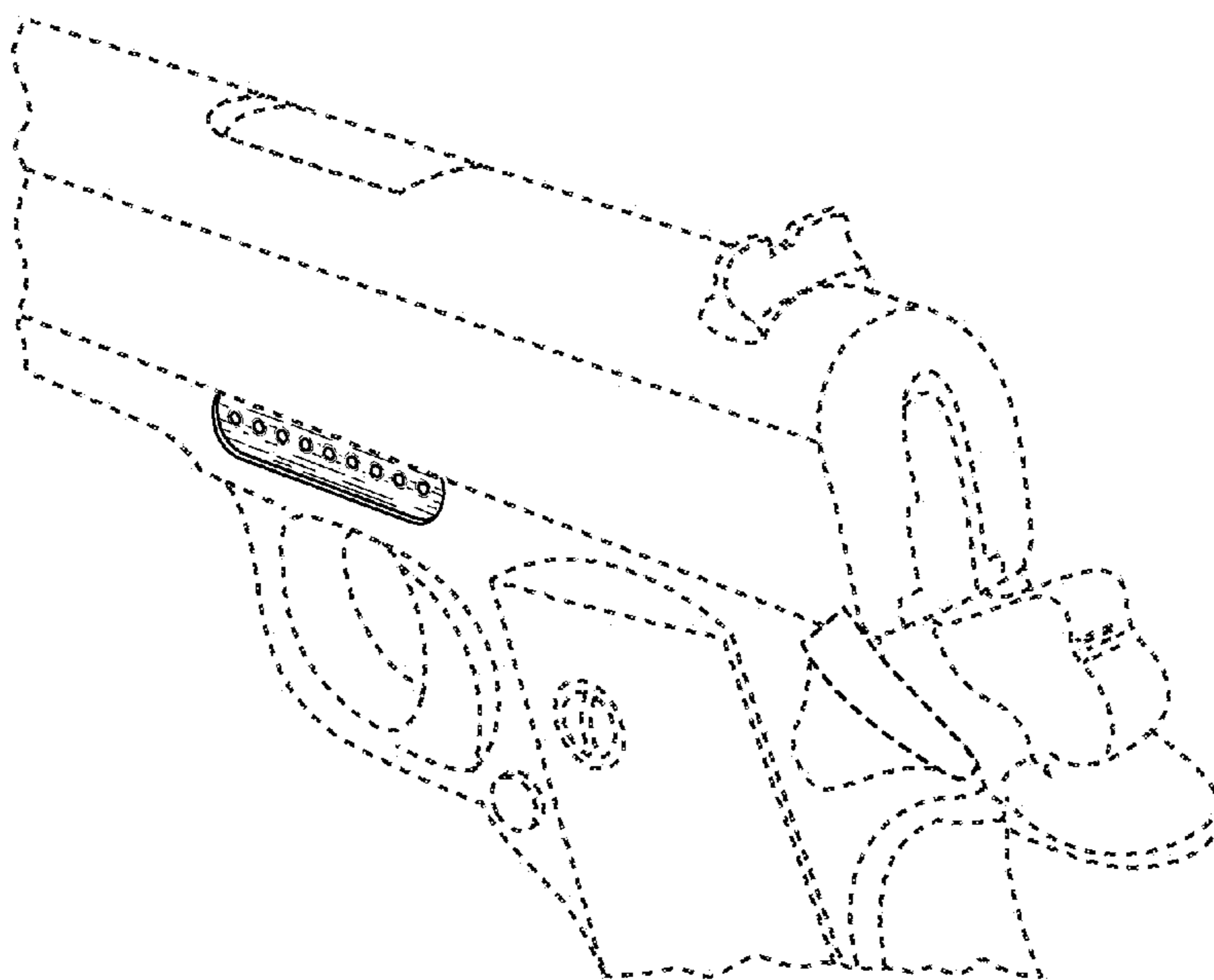


FIG. 12

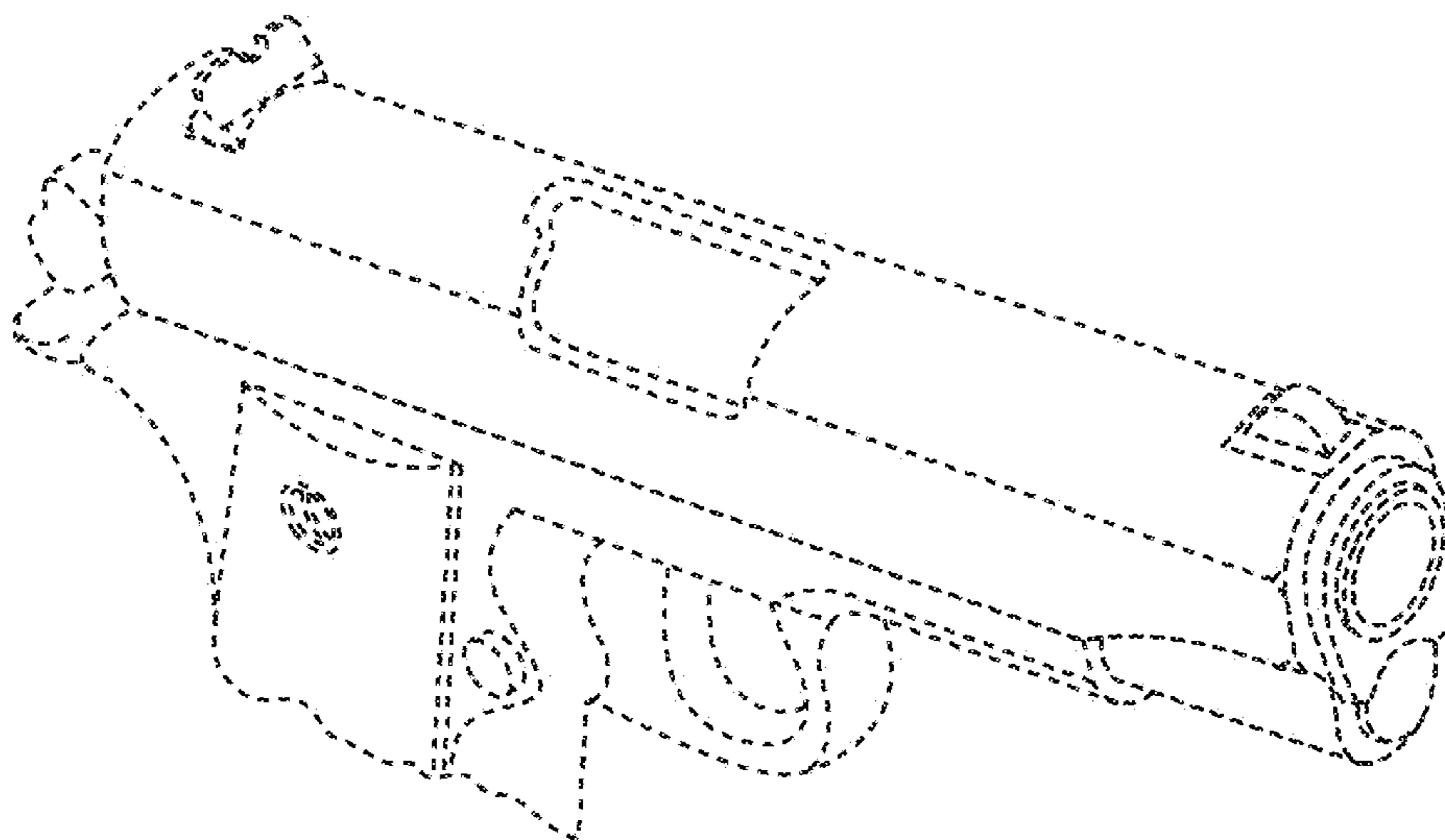


FIG. 13

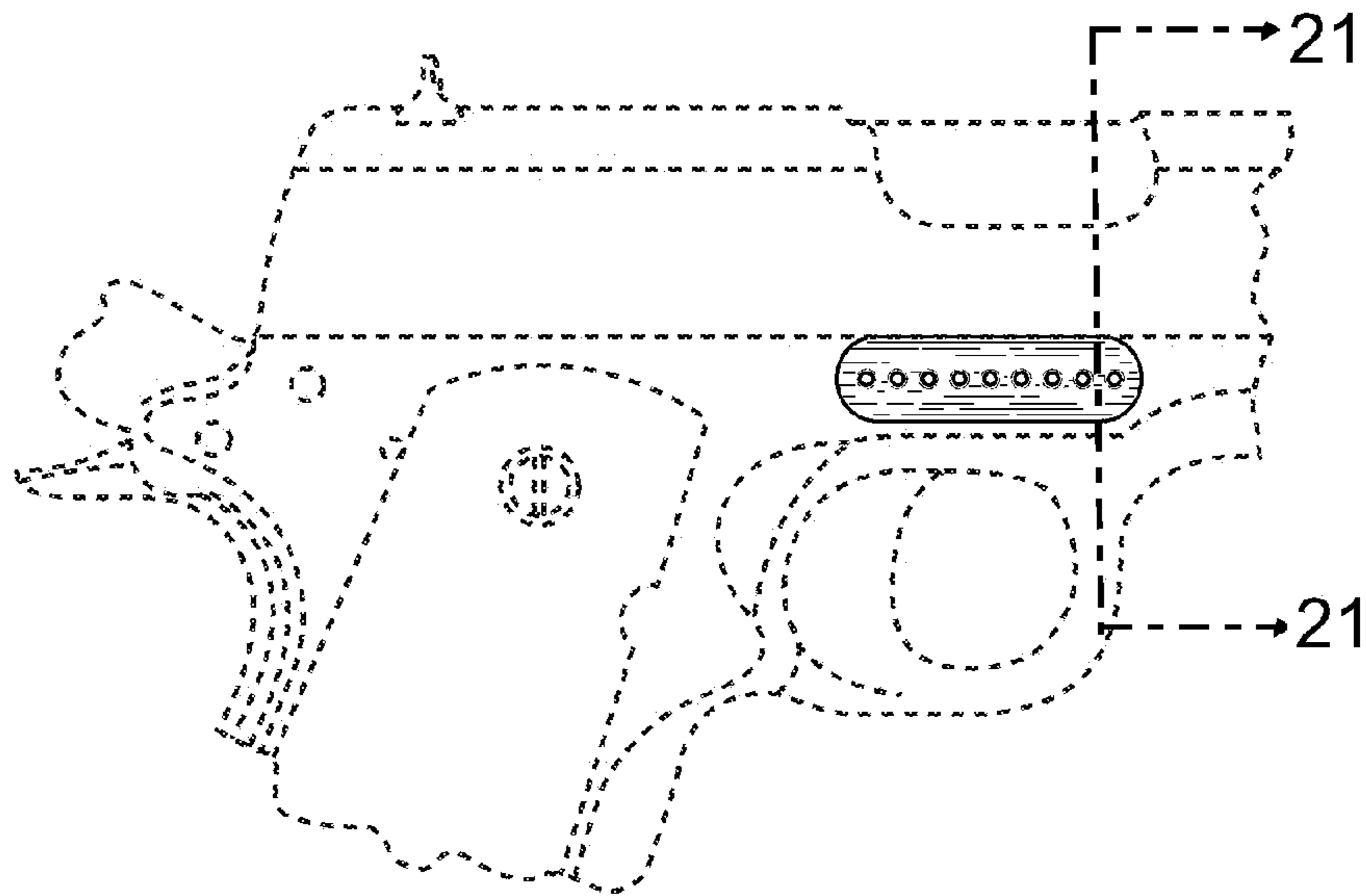


FIG. 15

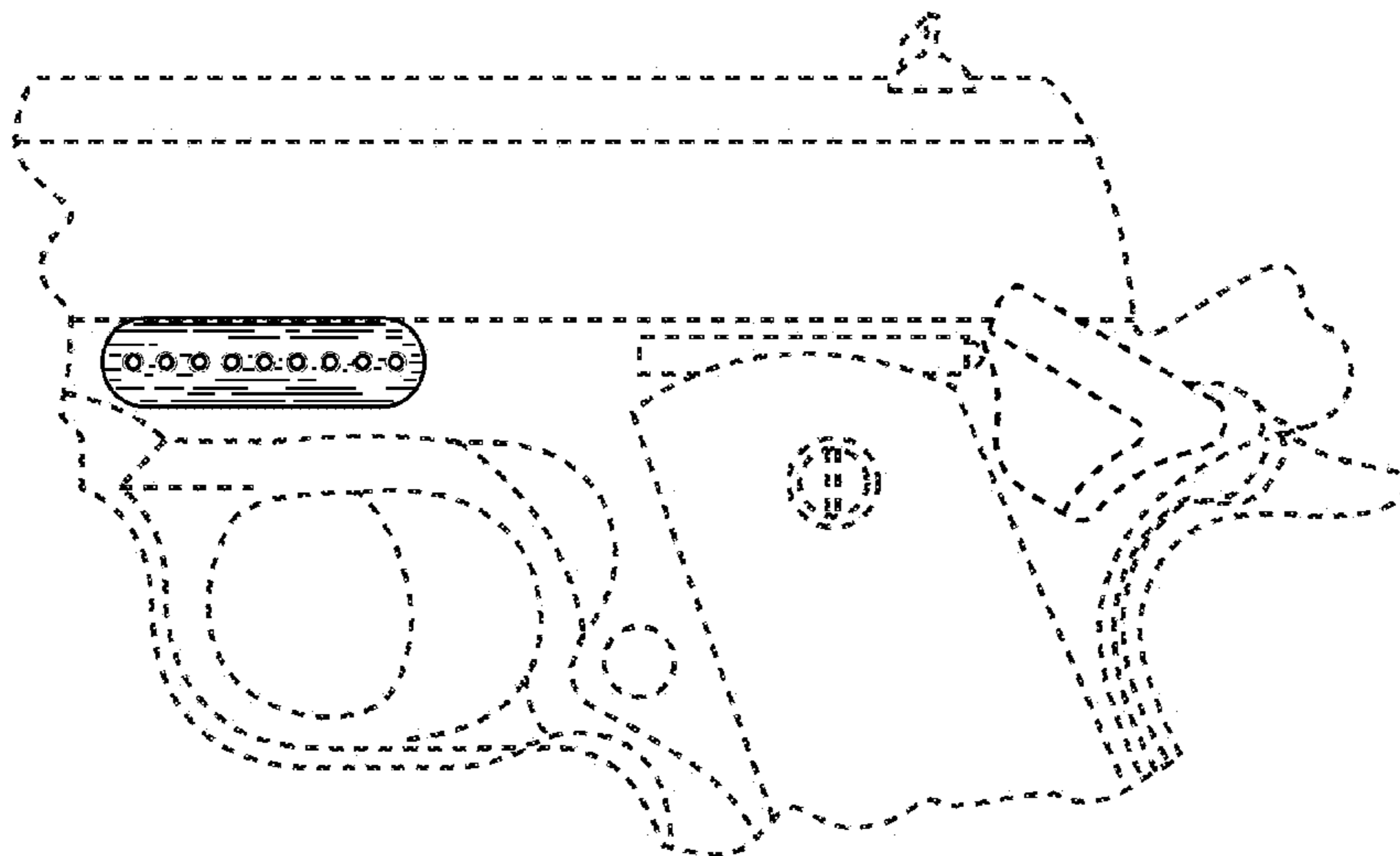


FIG. 16

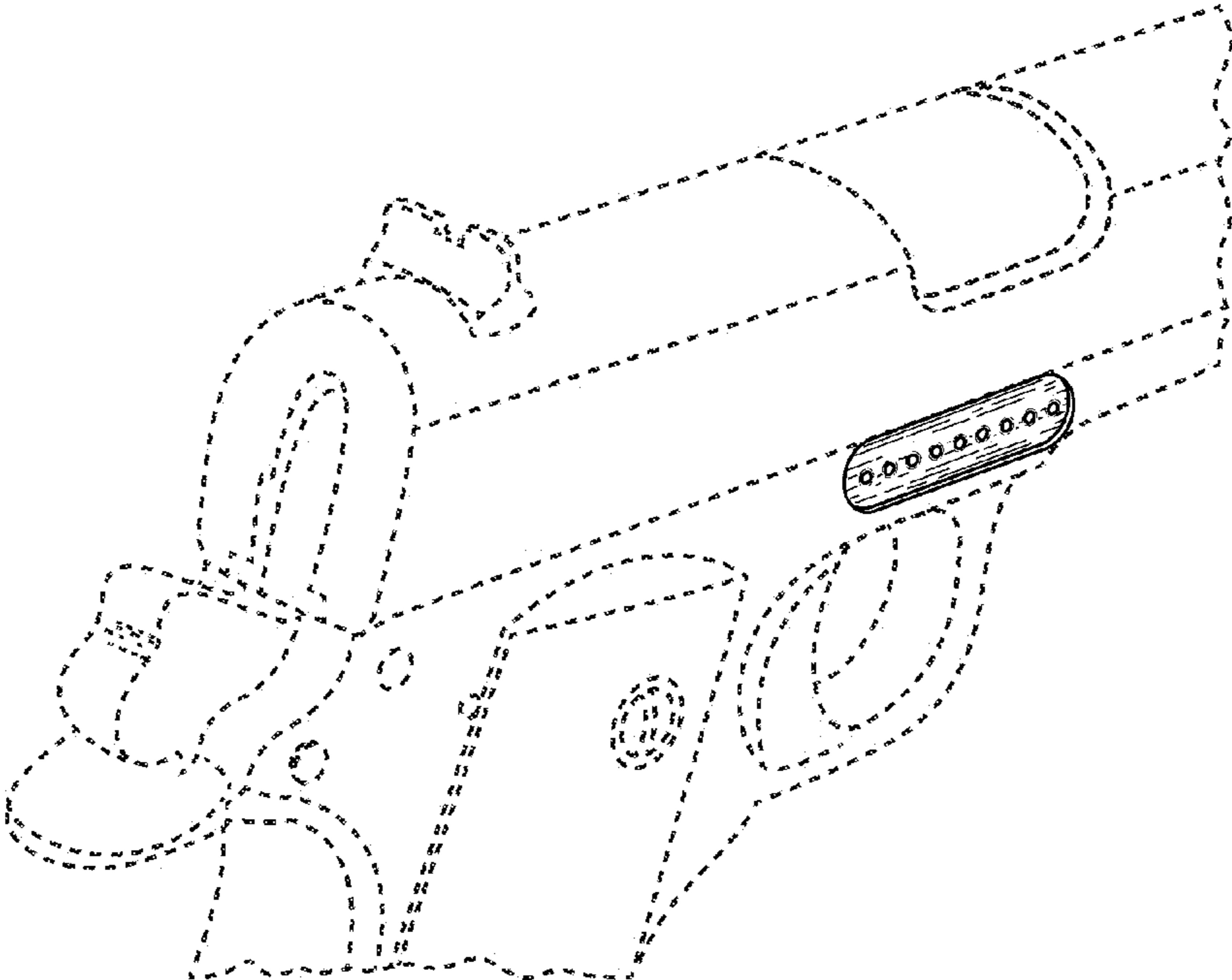


FIG. 17

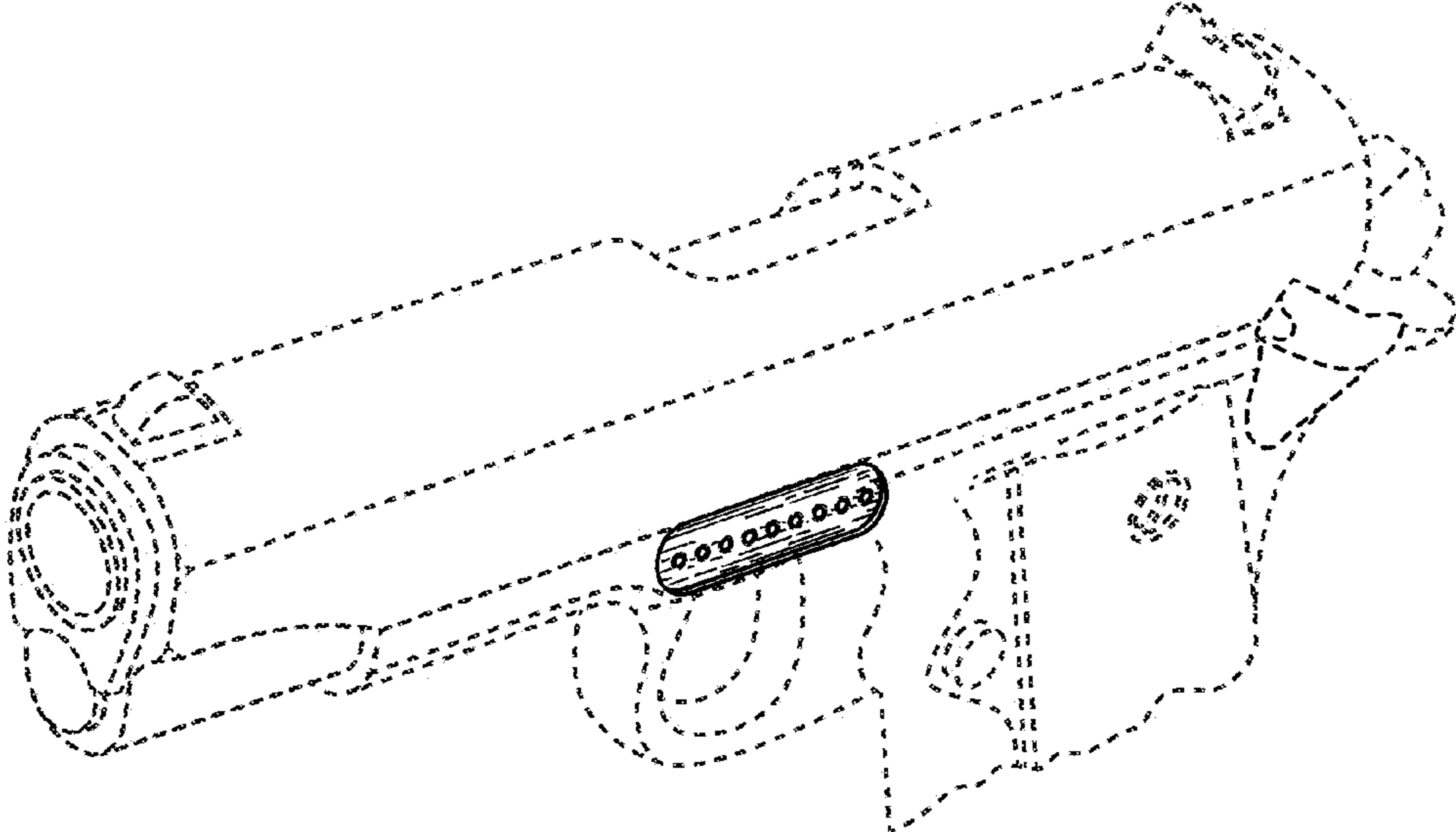


FIG. 18

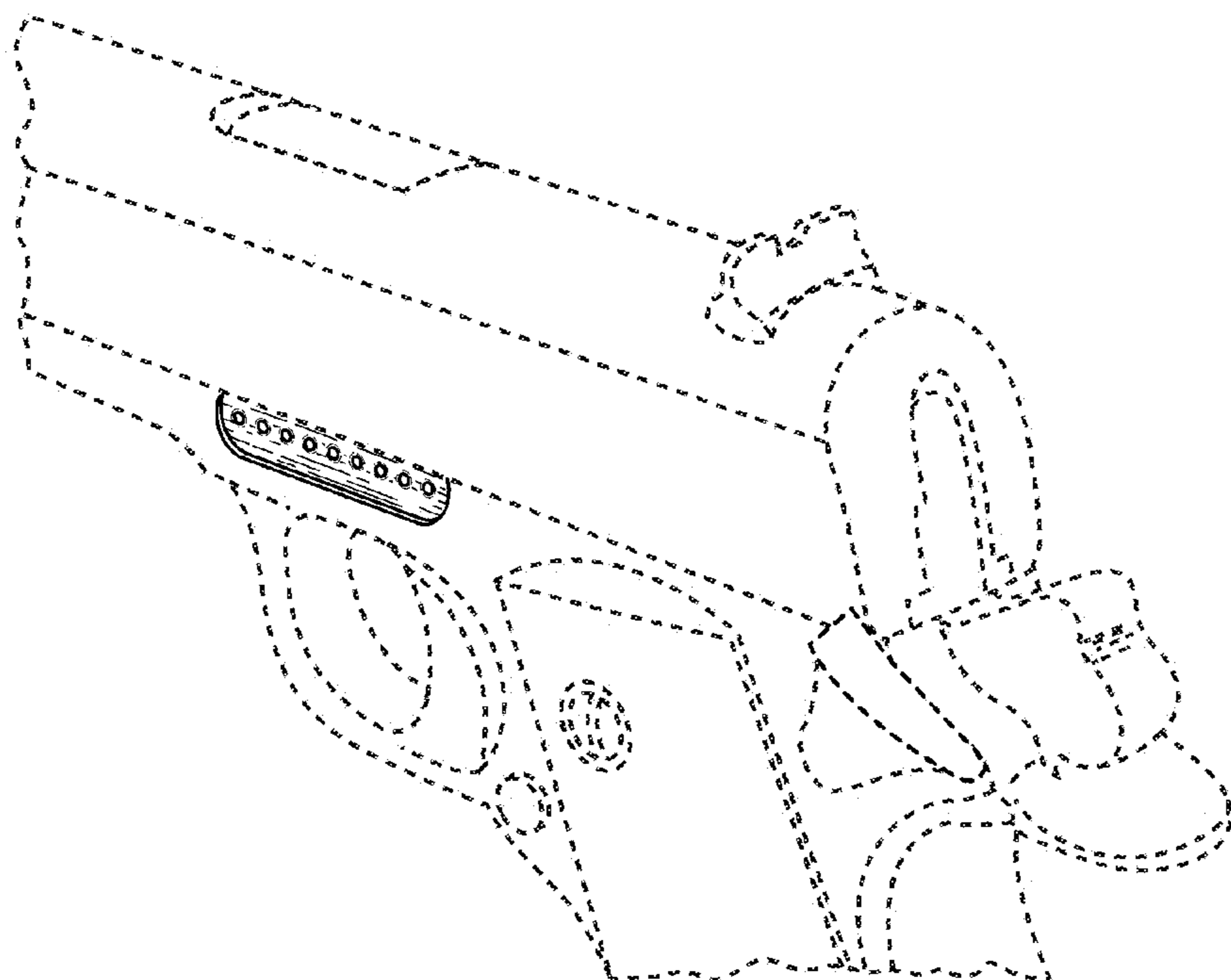


FIG. 19

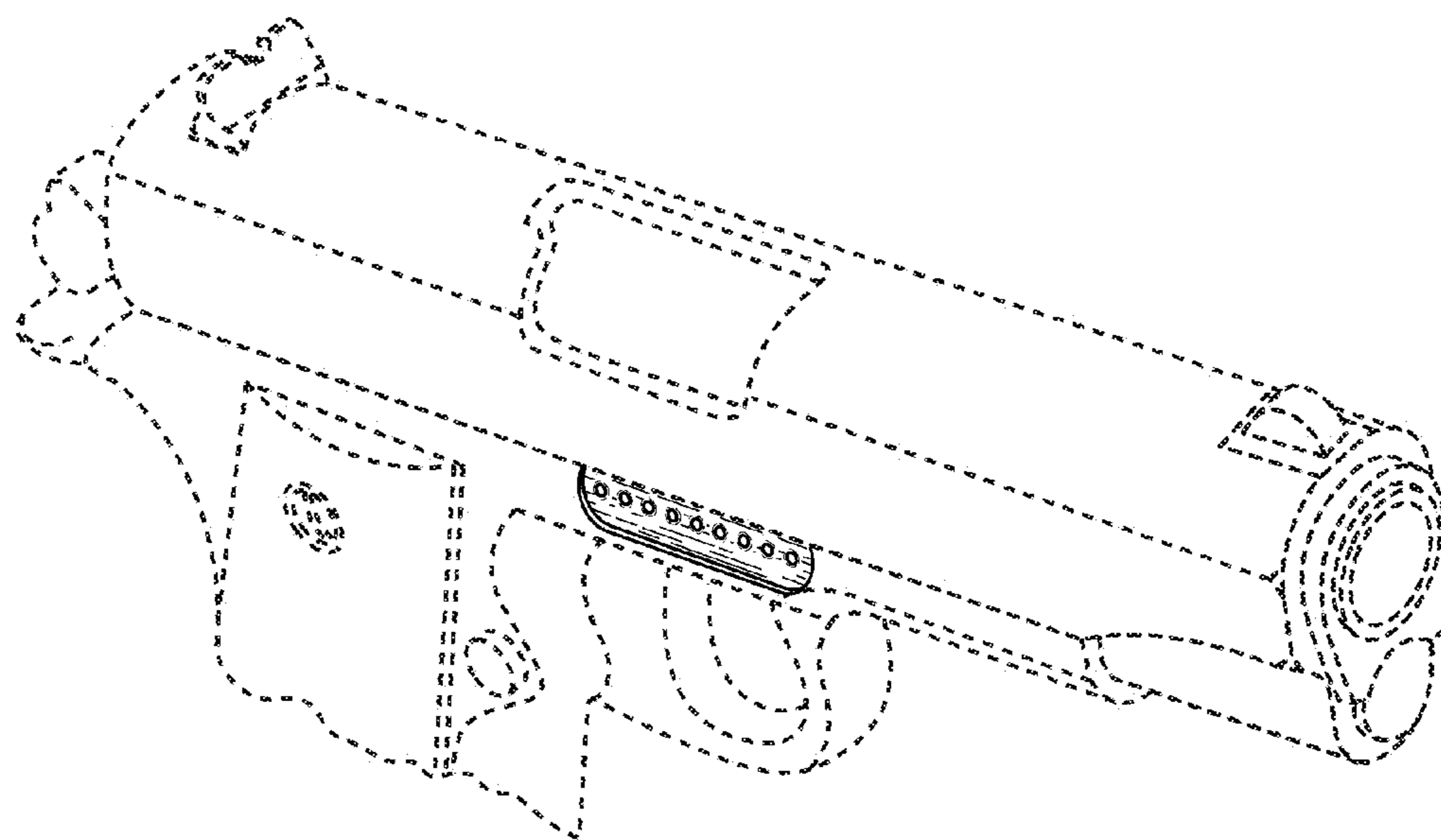


FIG. 20

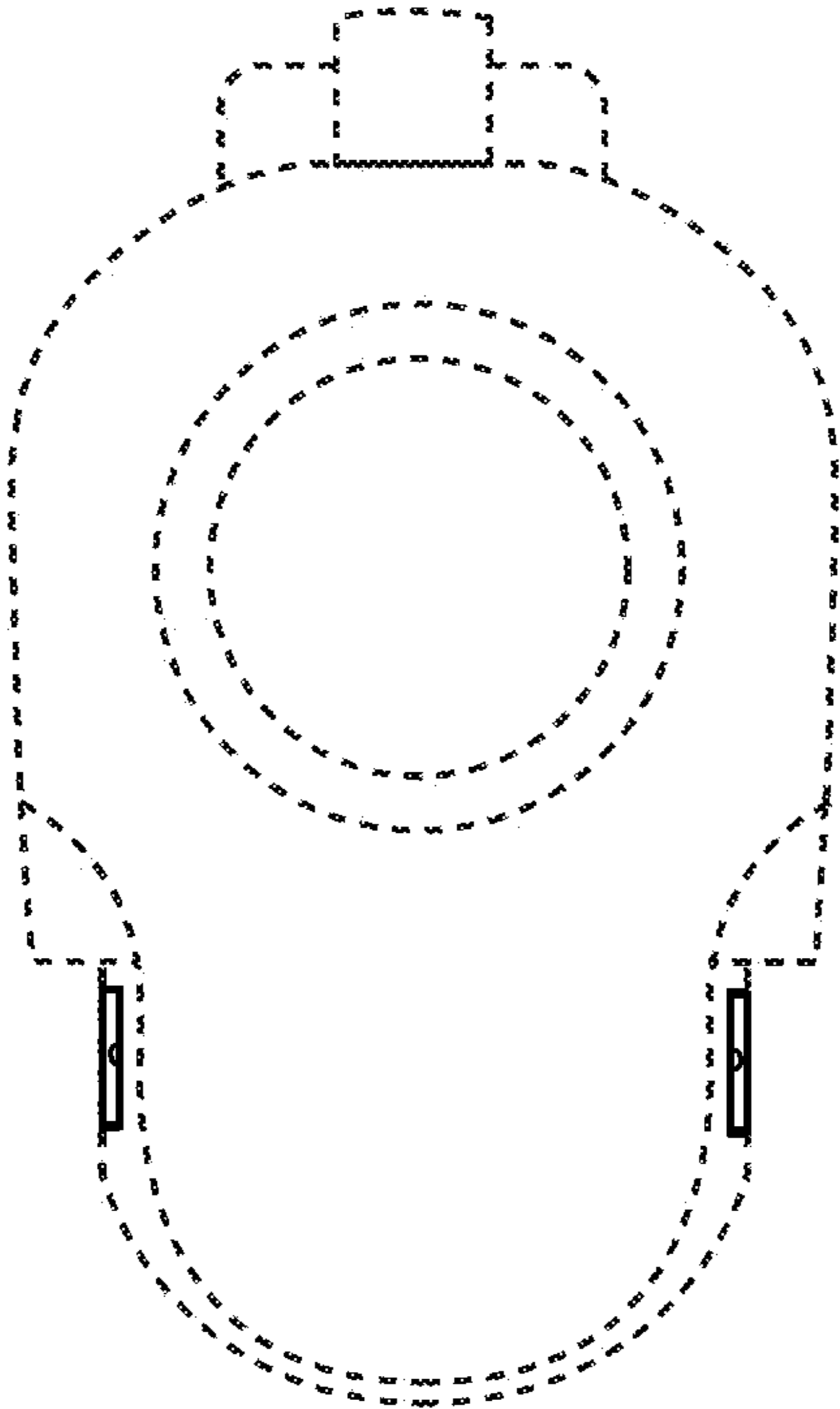


FIG. 21