



US00D697997S

(12) **United States Design Patent**
Grossman et al.

(10) **Patent No.:** **US D697,997 S**
(45) **Date of Patent:** **** Jan. 21, 2014**

(54) **ERGONOMIC GRIP FOR A SLIDE OF SEMIAUTOMATIC FIREARM**

U.S. Appl. No. 29/433,523, filed Oct. 1, 2012.
U.S. Appl. No. 13/632,565, filed Oct. 1, 2012.

(75) Inventors: **David A. Grossman**, Mascoutah, IL (US); **Jonathon D. Grossman**, Mascoutah, IL (US)

* cited by examiner

Primary Examiner — Michael A Pratt
(74) *Attorney, Agent, or Firm* — Thompson Coburn LLP

(73) Assignees: **David A. Grossman**, Mascoutah, IL (US); **Jonathon D. Grossman**, Mascoutah, IL (US)

(57) **CLAIM**

The ornamental design for an ergonomic grip for a slide for a semiautomatic firearm, as shown and described.

(**) Term: **14 Years**

DESCRIPTION

(21) Appl. No.: **29/429,857**

FIG. 1 is a perspective view of an ergonomic grip for a slide for a semiautomatic firearm showing our new design;

(22) Filed: **Aug. 17, 2012**

FIG. 2 is an alternate perspective view of the grip of the firearm of FIG. 1;

(51) **LOC (10) Cl.** **22-01**

FIG. 3 is an alternate perspective view of the grip of the firearm of FIG. 1;

(52) **U.S. Cl.**

USPC **D22/108**

FIG. 4 is an alternate perspective view of the grip of the firearm of FIG. 1;

(58) **Field of Classification Search**

USPC D22/104, 105, 108, 109, 110, 117;
42/90, 94, 124, 144, 148, 104;
D21/573–574

FIG. 5 is a side elevational view of the grip of the firearm of FIG. 1;

See application file for complete search history.

FIG. 6 is a side elevational view of the grip of the firearm FIG. 1;

(56) **References Cited**

U.S. PATENT DOCUMENTS

1,277,002	A	*	8/1918	Van Name	42/71.01
D562,931	S	*	2/2008	Szabo	D22/108
D604,794	S	*	11/2009	Bentley	D22/109
D658,263	S	*	4/2012	Nierenberg	D22/108
D658,738	S	*	5/2012	Lund	D22/108

FIG. 7 is a partial enlarged front view of the grip of the firearm of FIG. 1;

FIG. 8 is a partial enlarged rear view of the grip of the firearm of FIG. 1;

FIG. 9 is a top view of the grip of the firearm of FIG. 1;

FIG. 10 is a bottom view of the grip of the firearm of FIG. 1;

FIG. 11 is a perspective view of alternate embodiment of an ergonomic grip for a slide for a semiautomatic firearm showing our new design;

FIG. 12 is an alternate perspective view of the grip of the firearm of FIG. 11;

FIG. 13 is an alternate perspective view of the grip of the firearm of FIG. 11;

FIG. 14 is an alternate perspective view of the grip of the firearm of FIG. 11;

FIG. 15 is a side elevational view of the grip of the firearm of FIG. 11;

FIG. 16 is a side elevational view of the grip of the firearm FIG. 11;

OTHER PUBLICATIONS

- U.S. Appl. No. 29/429,844, filed Aug. 17, 2012.
- U.S. Appl. No. 29/429,847, filed Aug. 17, 2012.
- U.S. Appl. No. 13/588,743, filed Aug. 17, 2012.
- U.S. Appl. No. 29/429,863, filed Aug. 17, 2012.
- U.S. Appl. No. 13/588,690, filed Aug. 17, 2012.
- U.S. Appl. No. 13/588,722, filed Aug. 17, 2012.
- U.S. Appl. No. 13/588,759, filed Aug. 17, 2012.

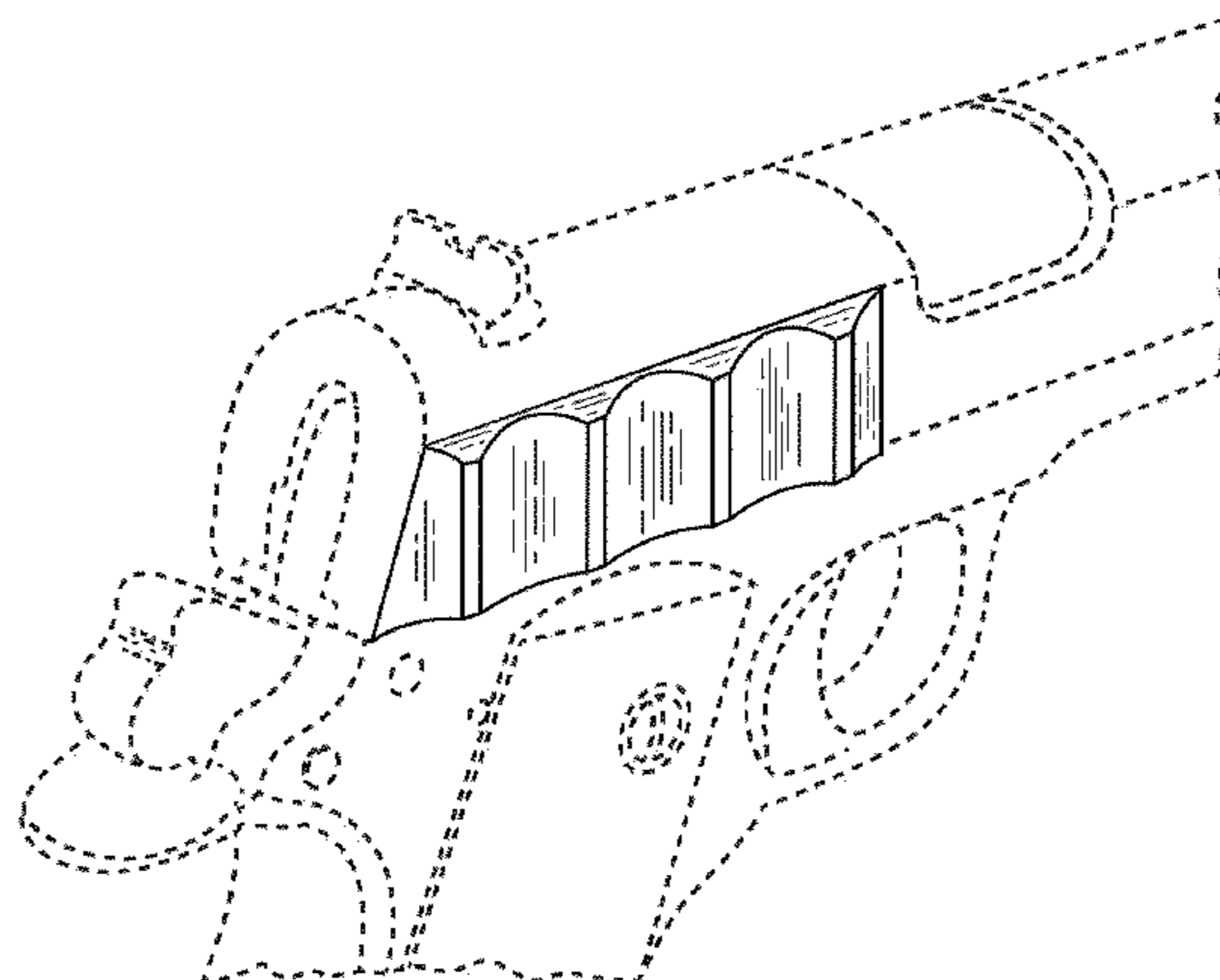


FIG. 17 is a partial enlarged front view of the grip of the firearm of FIG. 11;

FIG. 18 is a partial enlarged rear view of the grip of the firearm of FIG. 11;

FIG. 19 is a top view of the grip of the firearm of FIG. 11;

FIG. 20 is a bottom view of the grip of the firearm of FIG. 11;

FIG. 21 is a perspective view of alternate embodiment of an ergonomic grip for a slide for a semiautomatic firearm showing our new design;

FIG. 22 is an alternate perspective view of the grip of the firearm of FIG. 21;

FIG. 23 is an alternate perspective view of the grip of the firearm of FIG. 21;

FIG. 24 is an alternate perspective view of the grip of the firearm of FIG. 21;

FIG. 25 is a side elevational view of the grip of the firearm of FIG. 21;

FIG. 26 is a side elevational view of the grip of the firearm of FIG. 21;

FIG. 27 is a partial enlarged front view of the grip of the firearm of FIG. 21;

FIG. 28 is a partial enlarged rear view of the grip of the firearm of FIG. 21;

FIG. 29 is a top view of the grip of the firearm of FIG. 21; and,

FIG. 30 is a bottom view of the grip of the firearm of FIG. 21. The broken lines shown in the drawings are for illustrative purposes only and form no part of the claimed design.

1 Claim, 12 Drawing Sheets

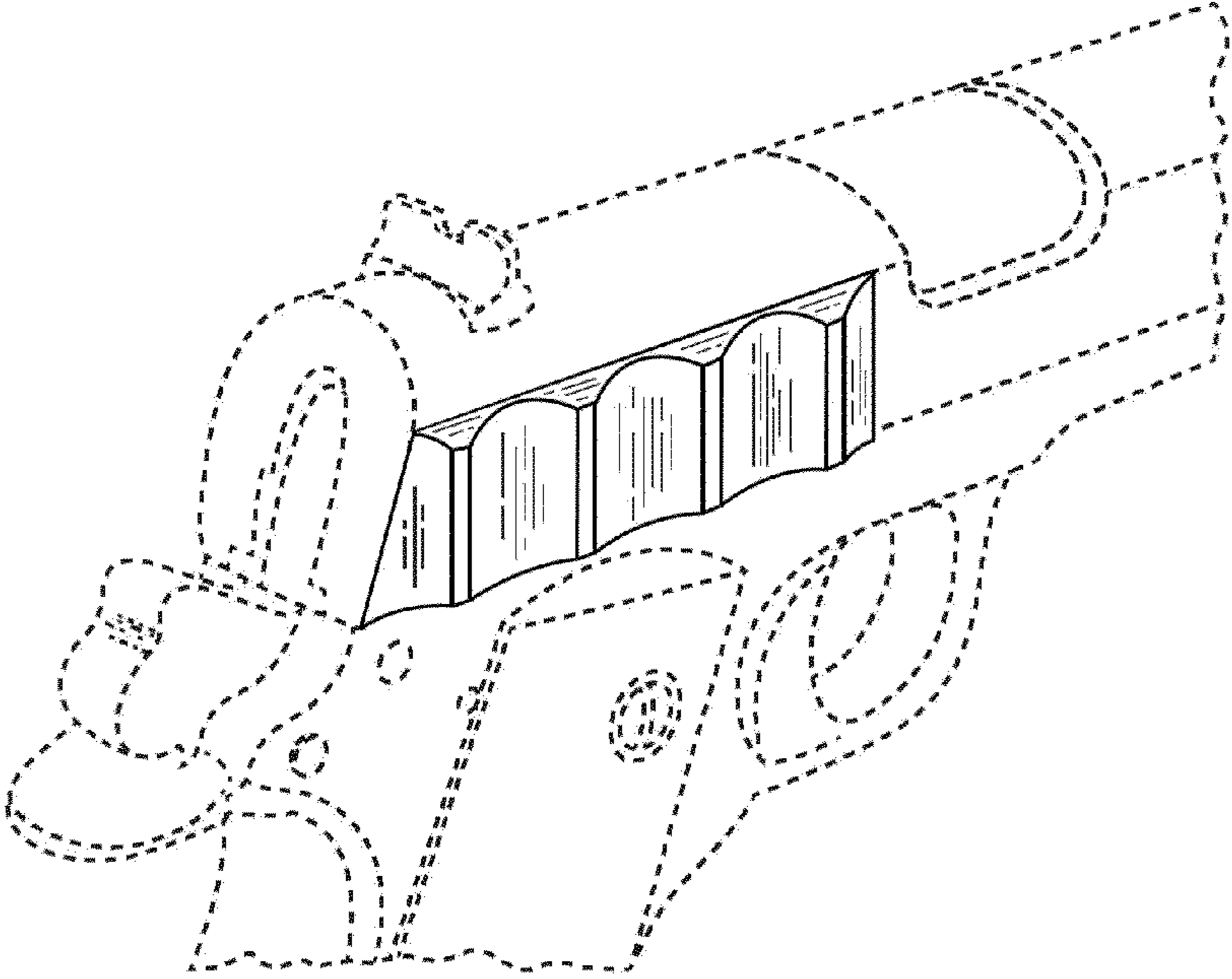


FIG. 1

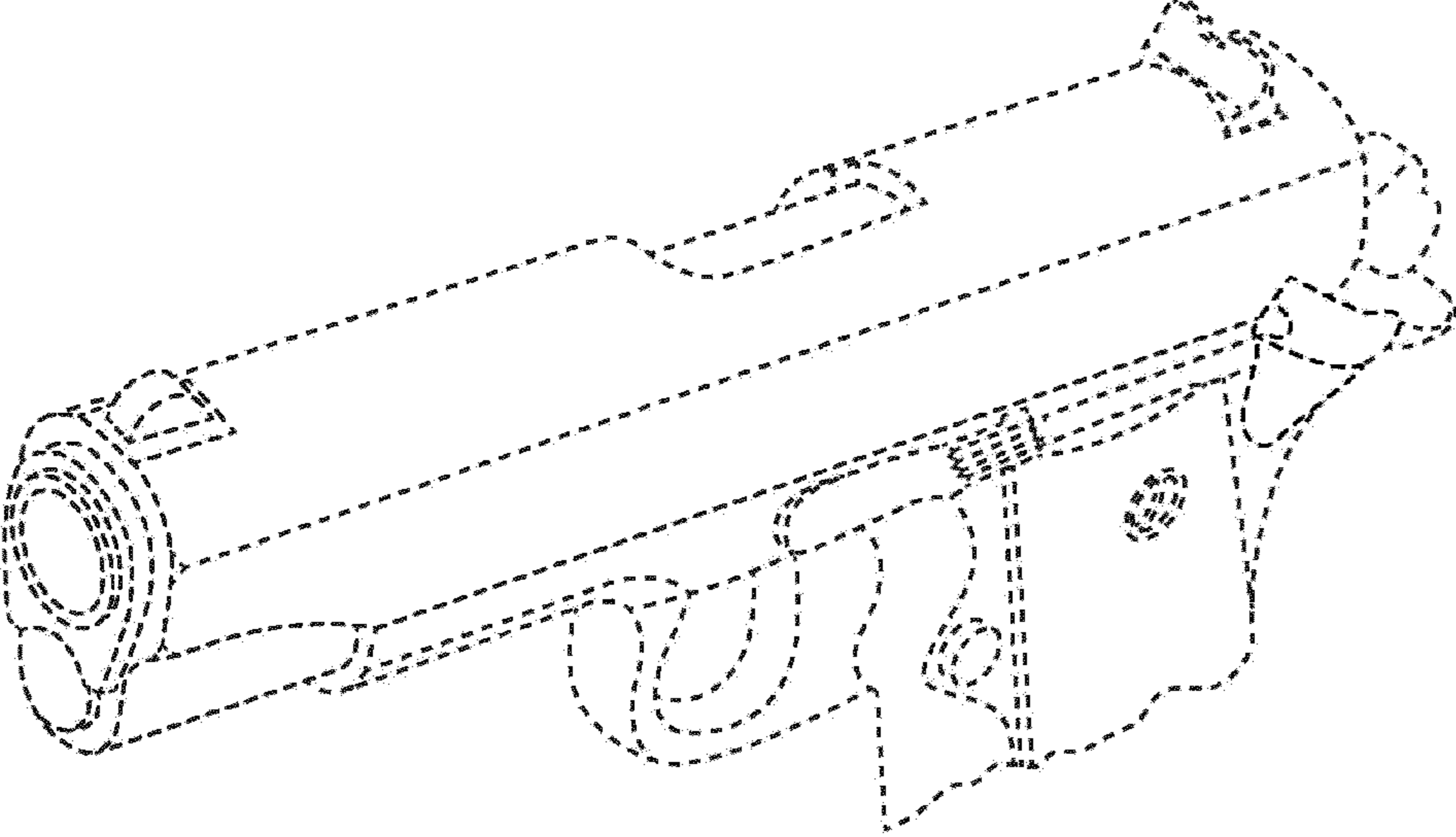


FIG. 2

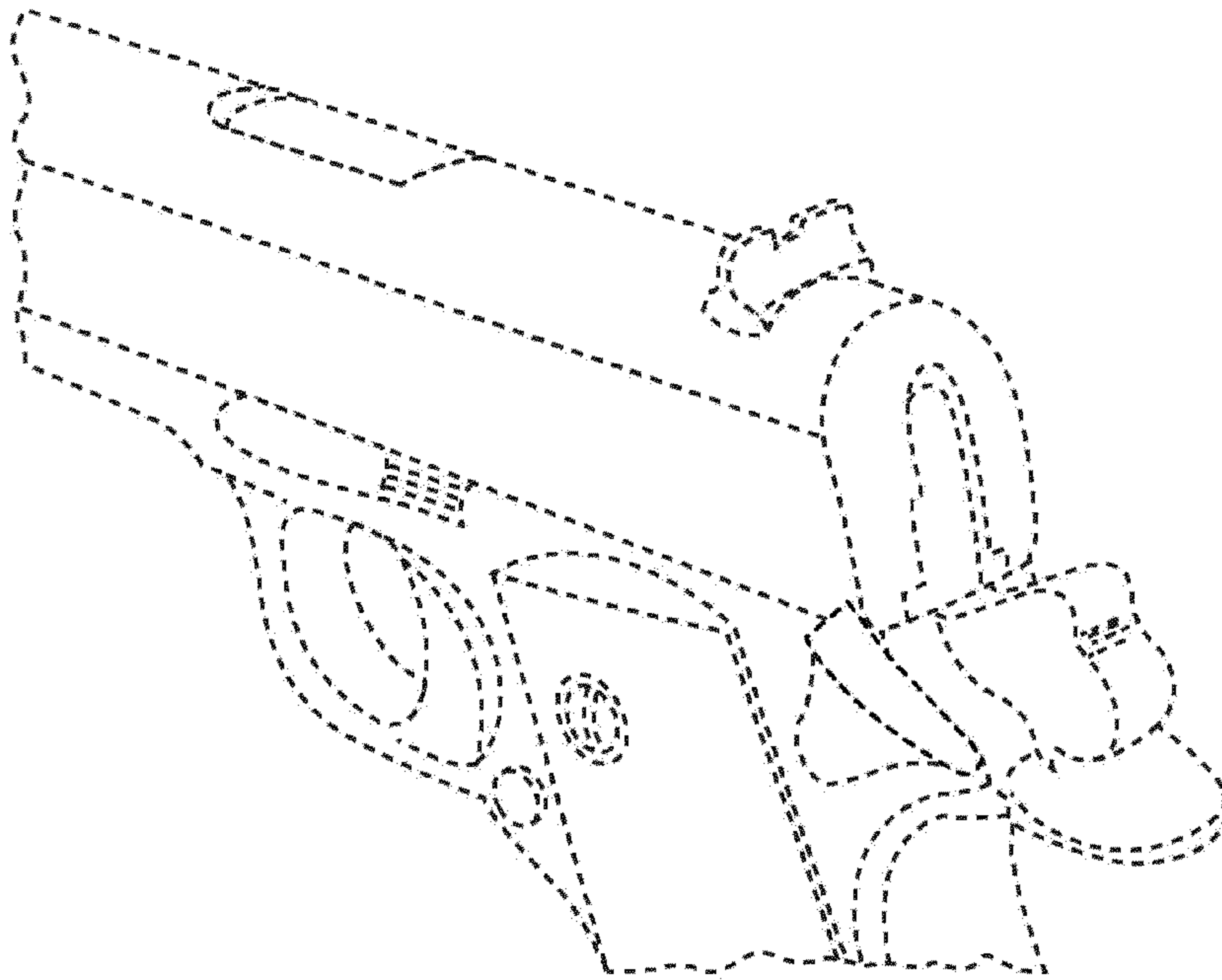


FIG. 3

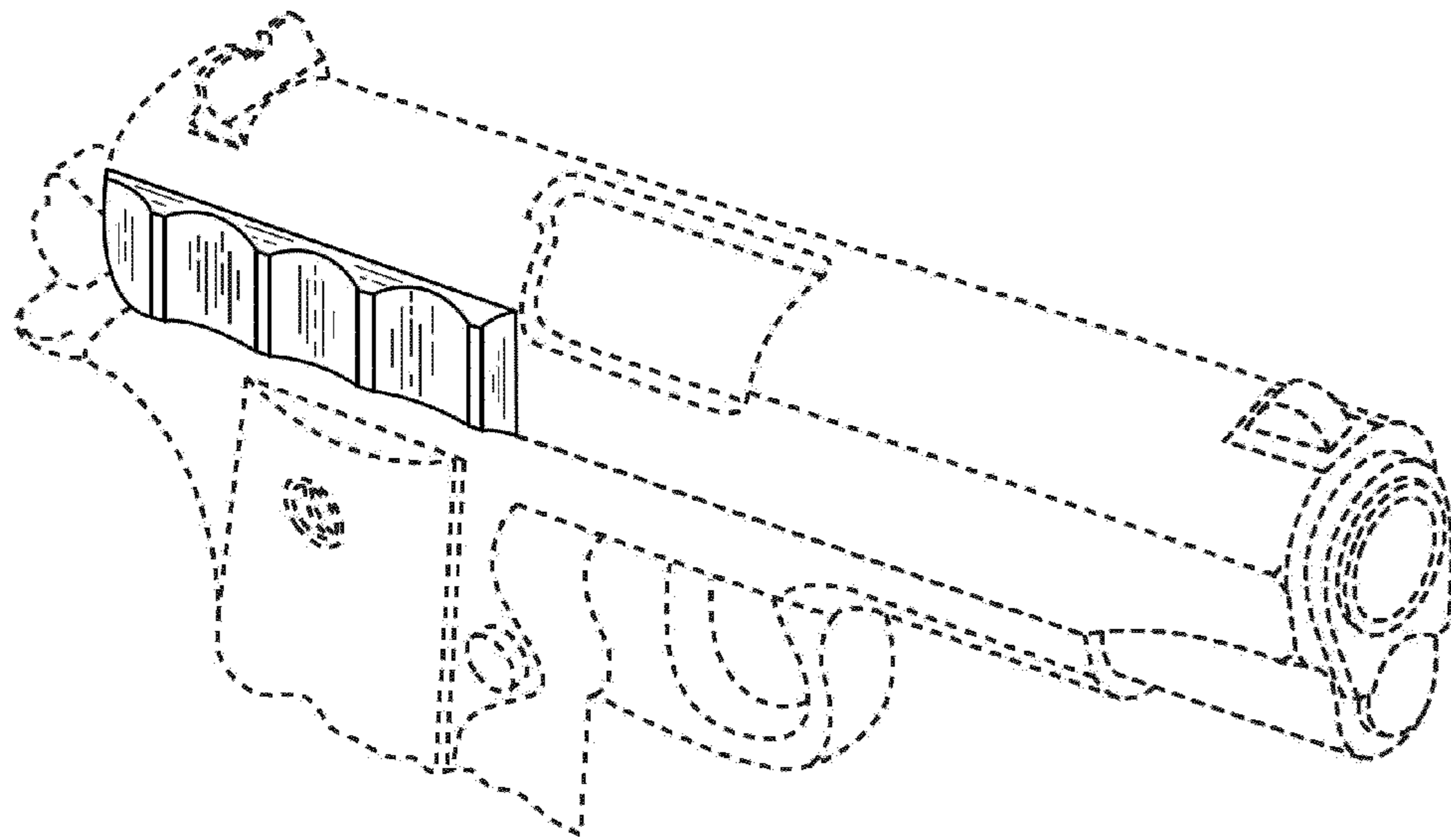


FIG. 4

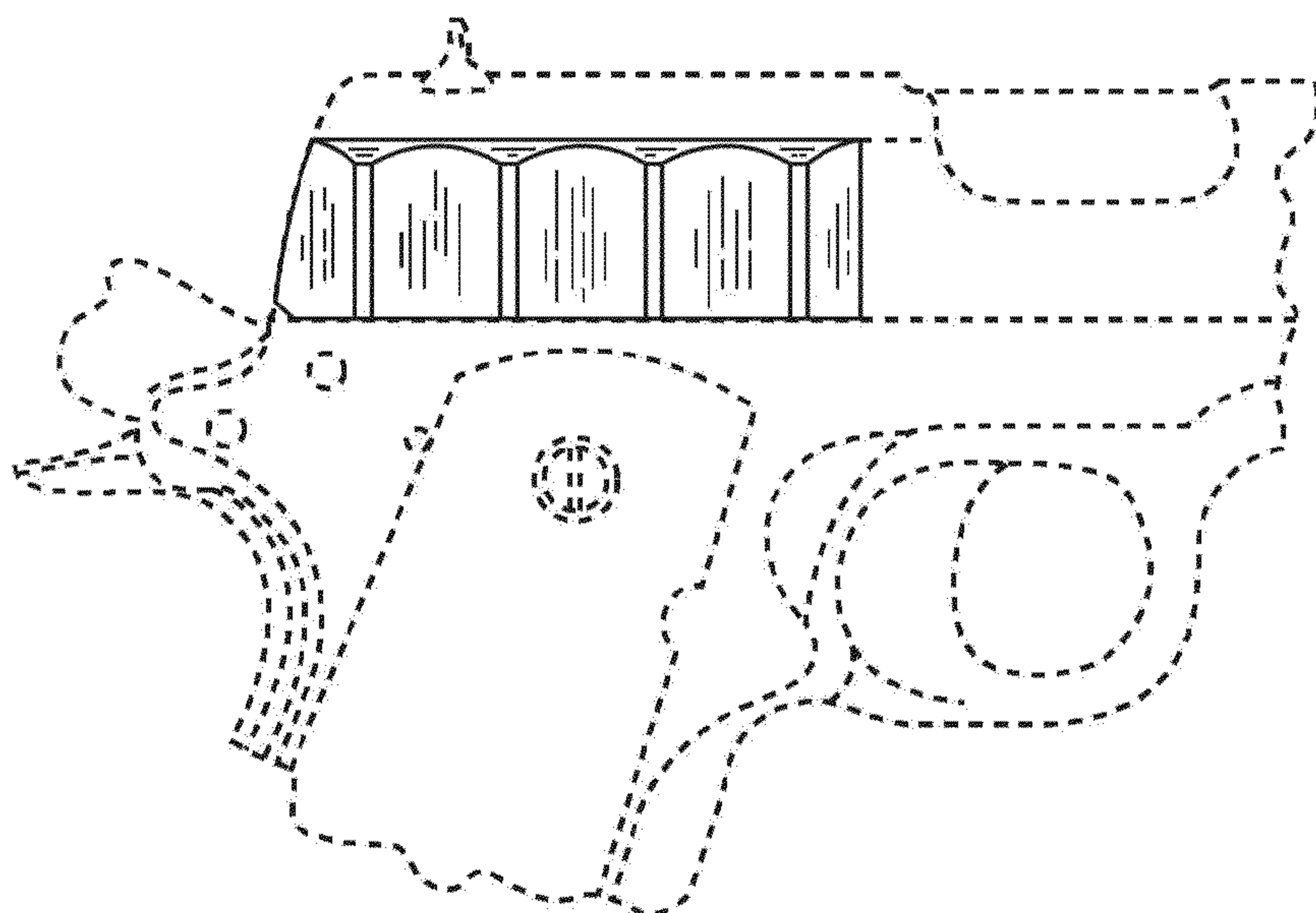


FIG. 5

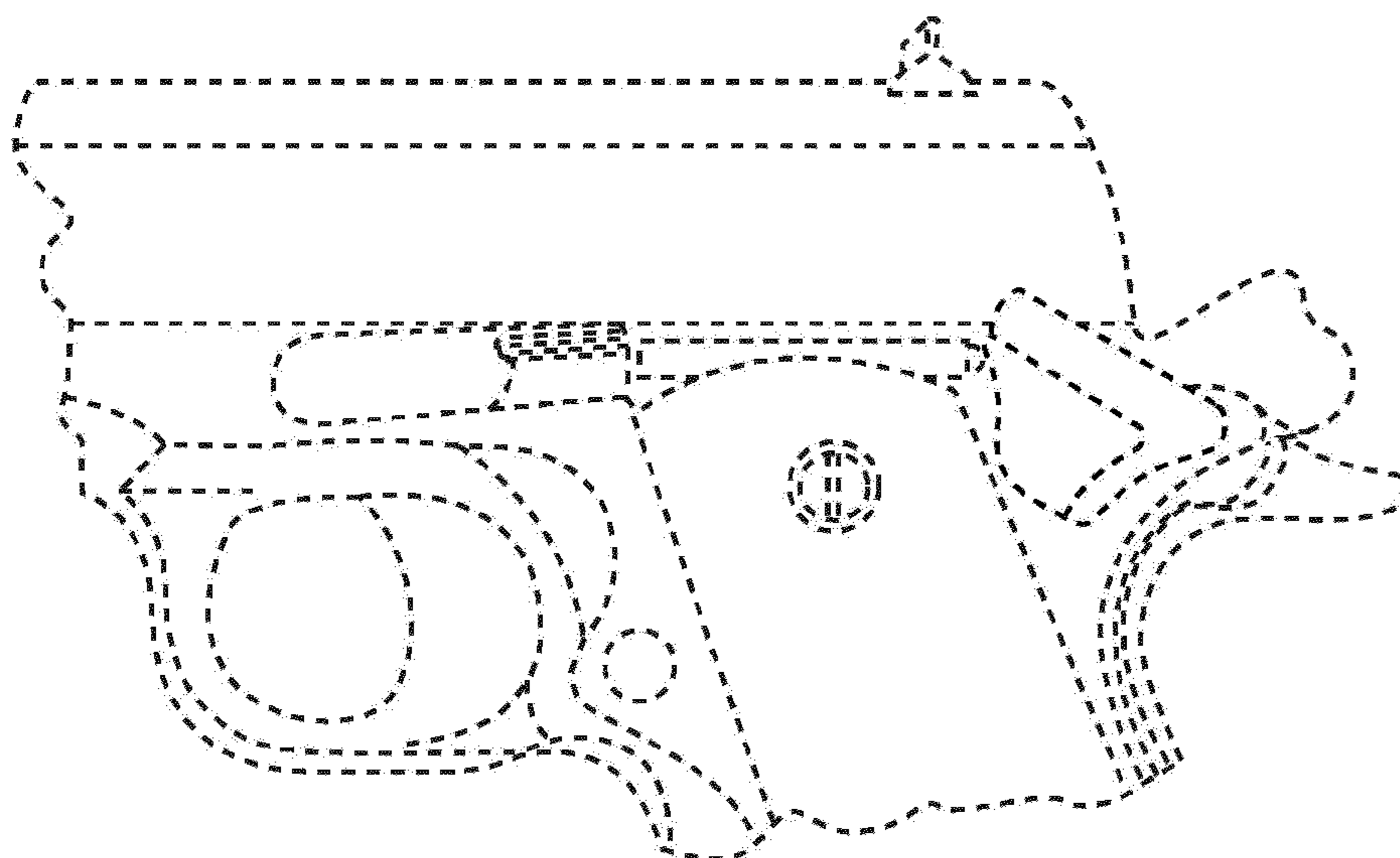


FIG. 6

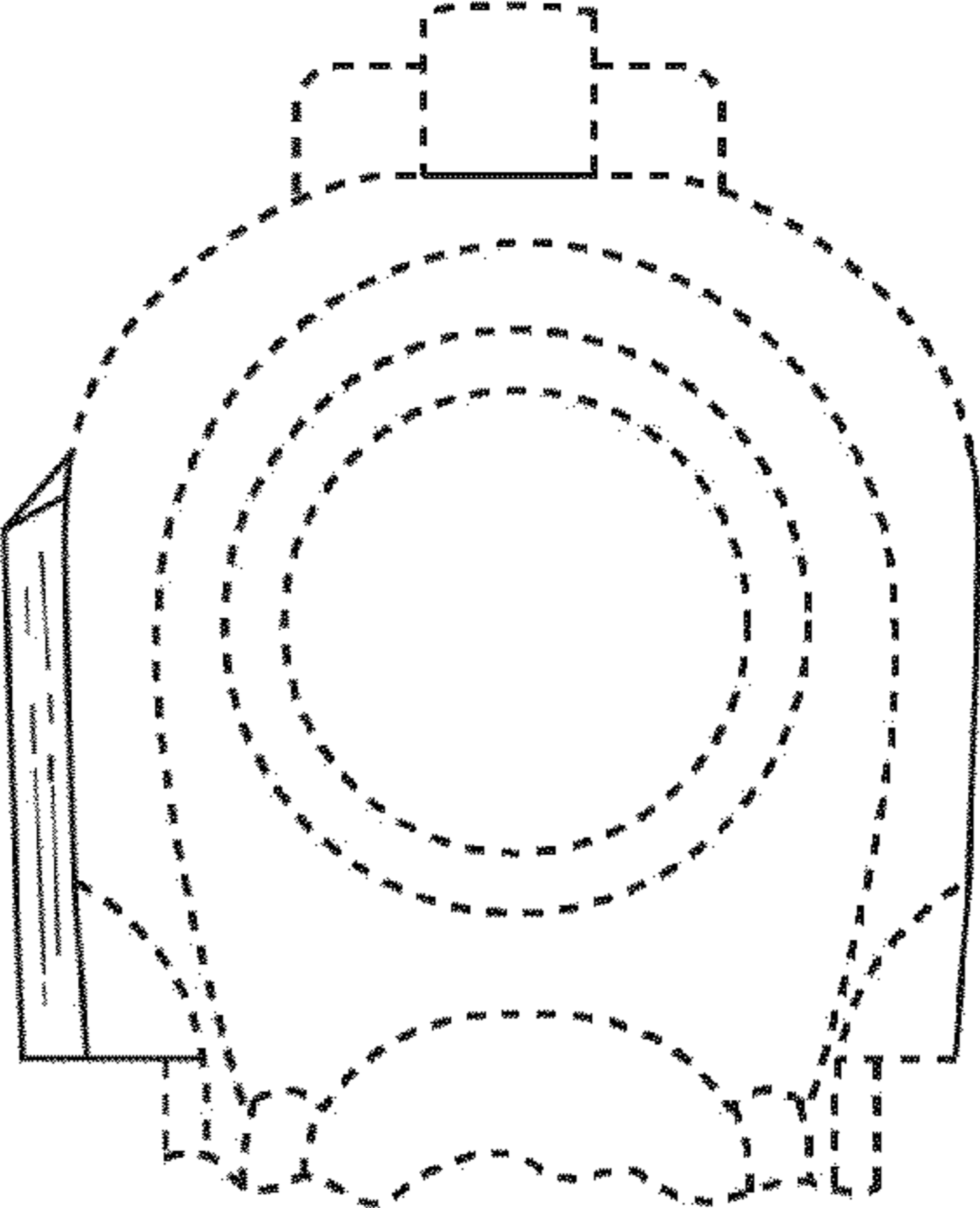


FIG. 7

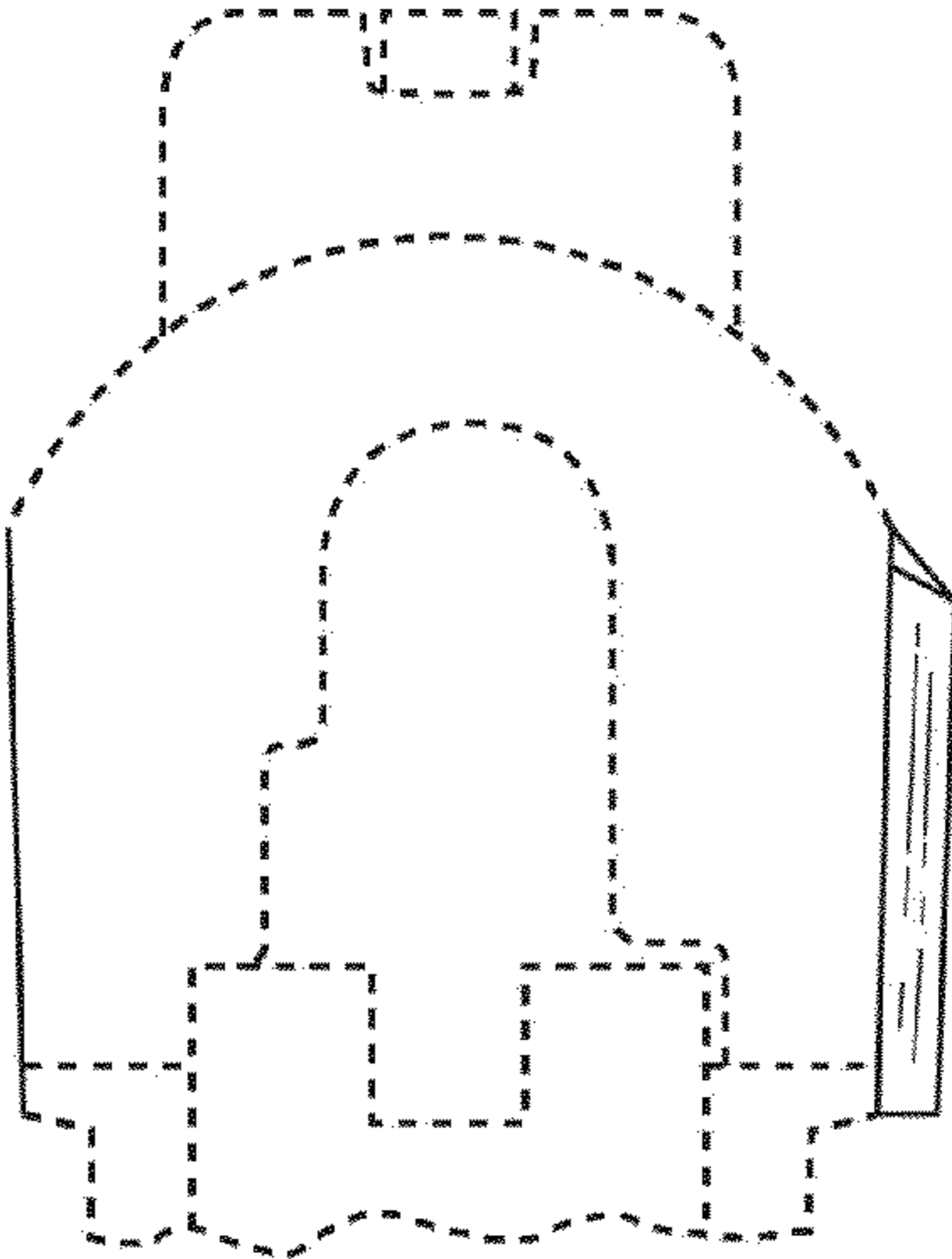


FIG. 8

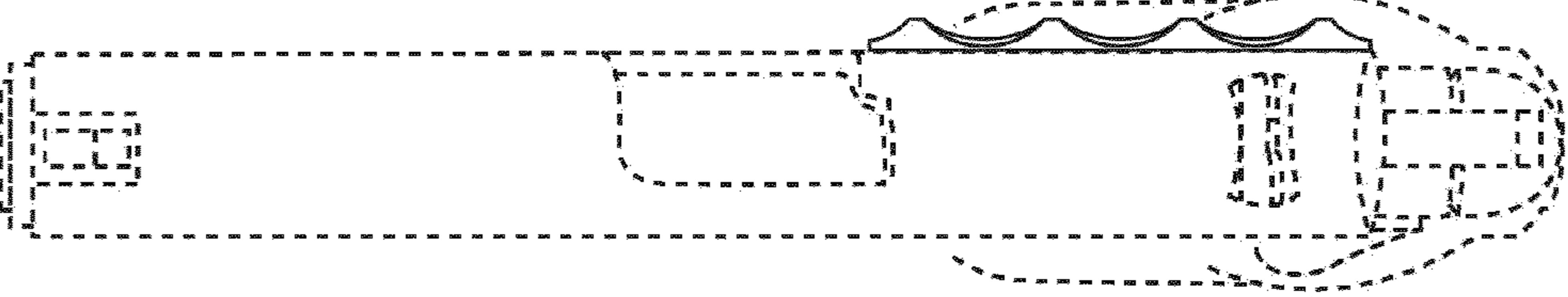


FIG. 9

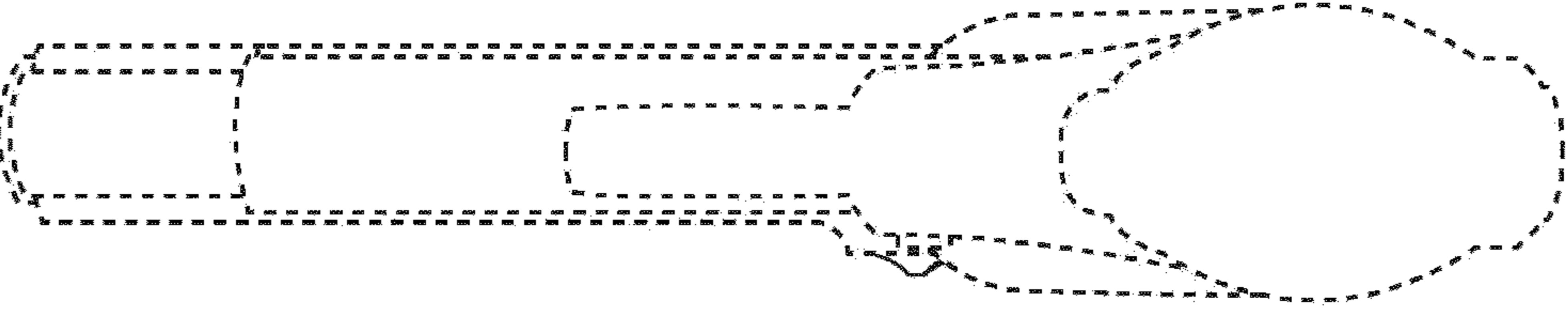


FIG. 10

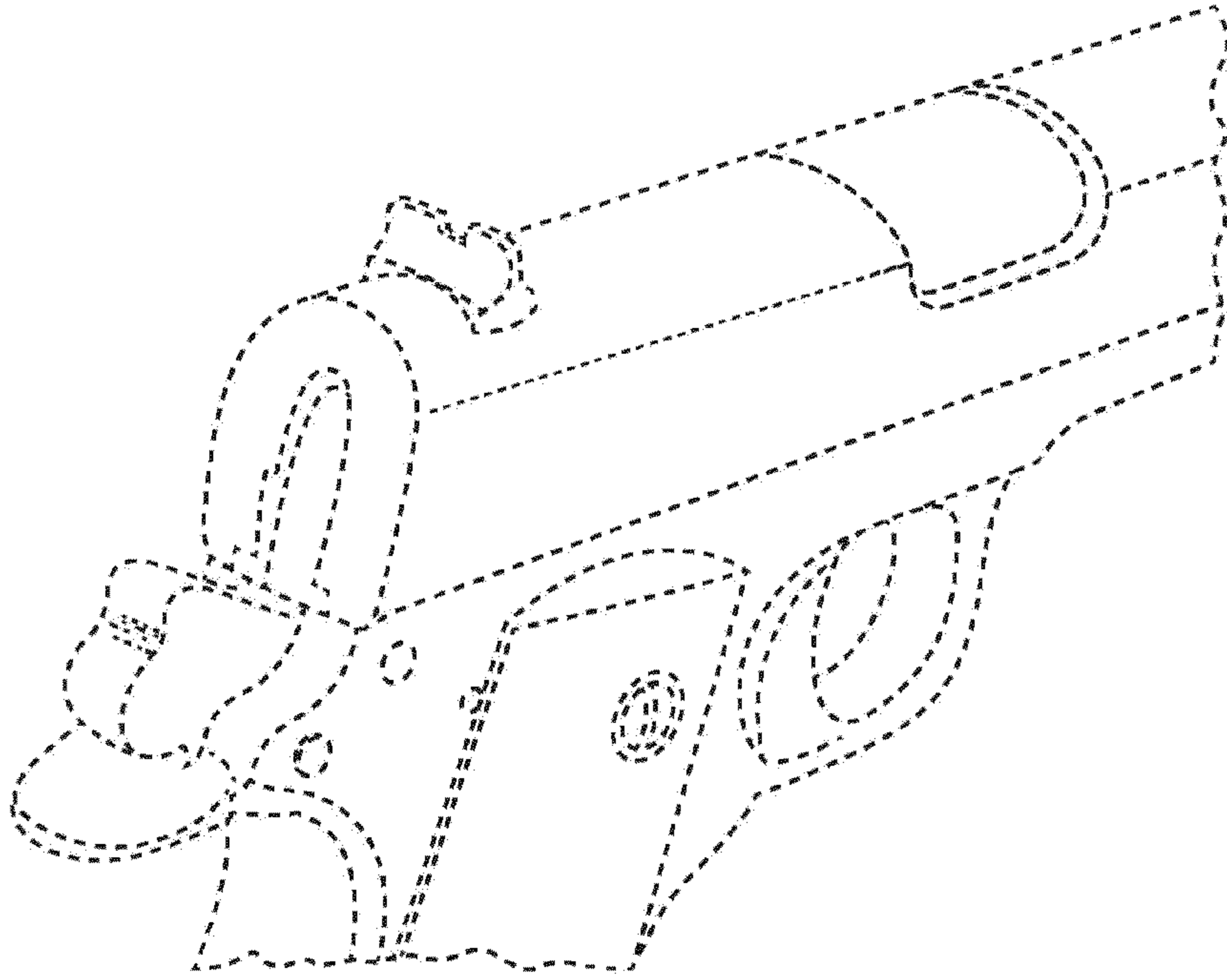


FIG. 11

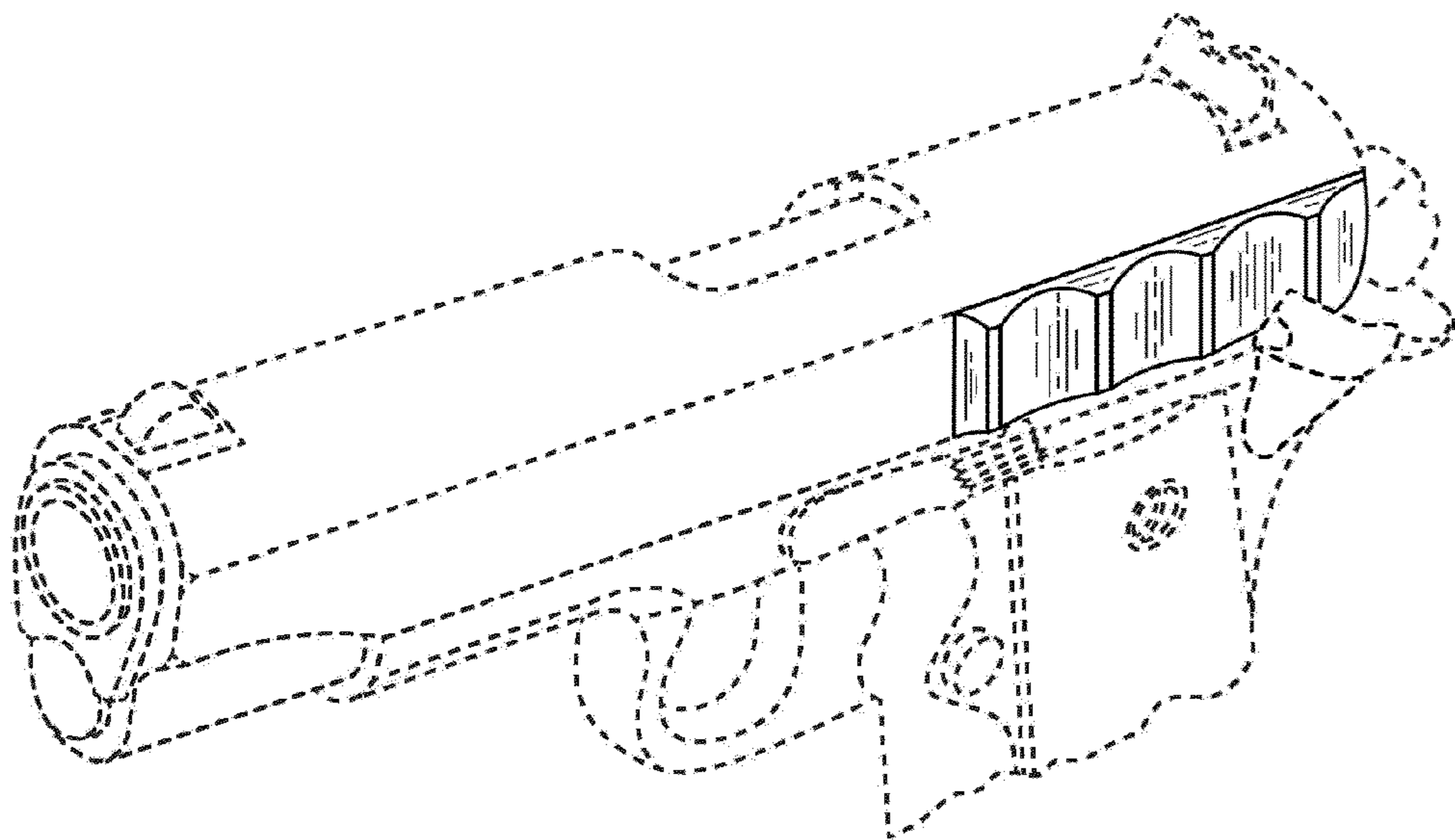


FIG. 12

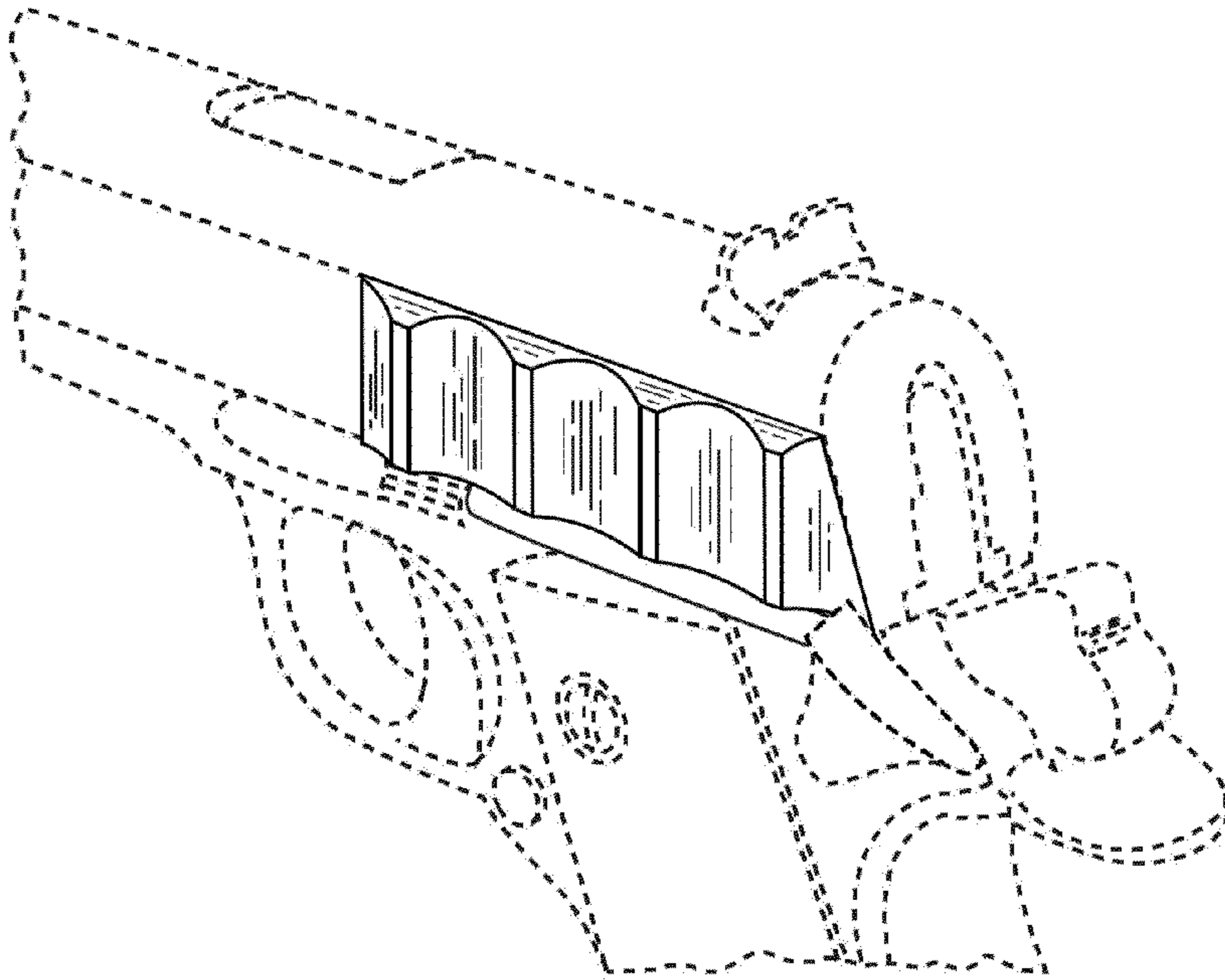


FIG. 13

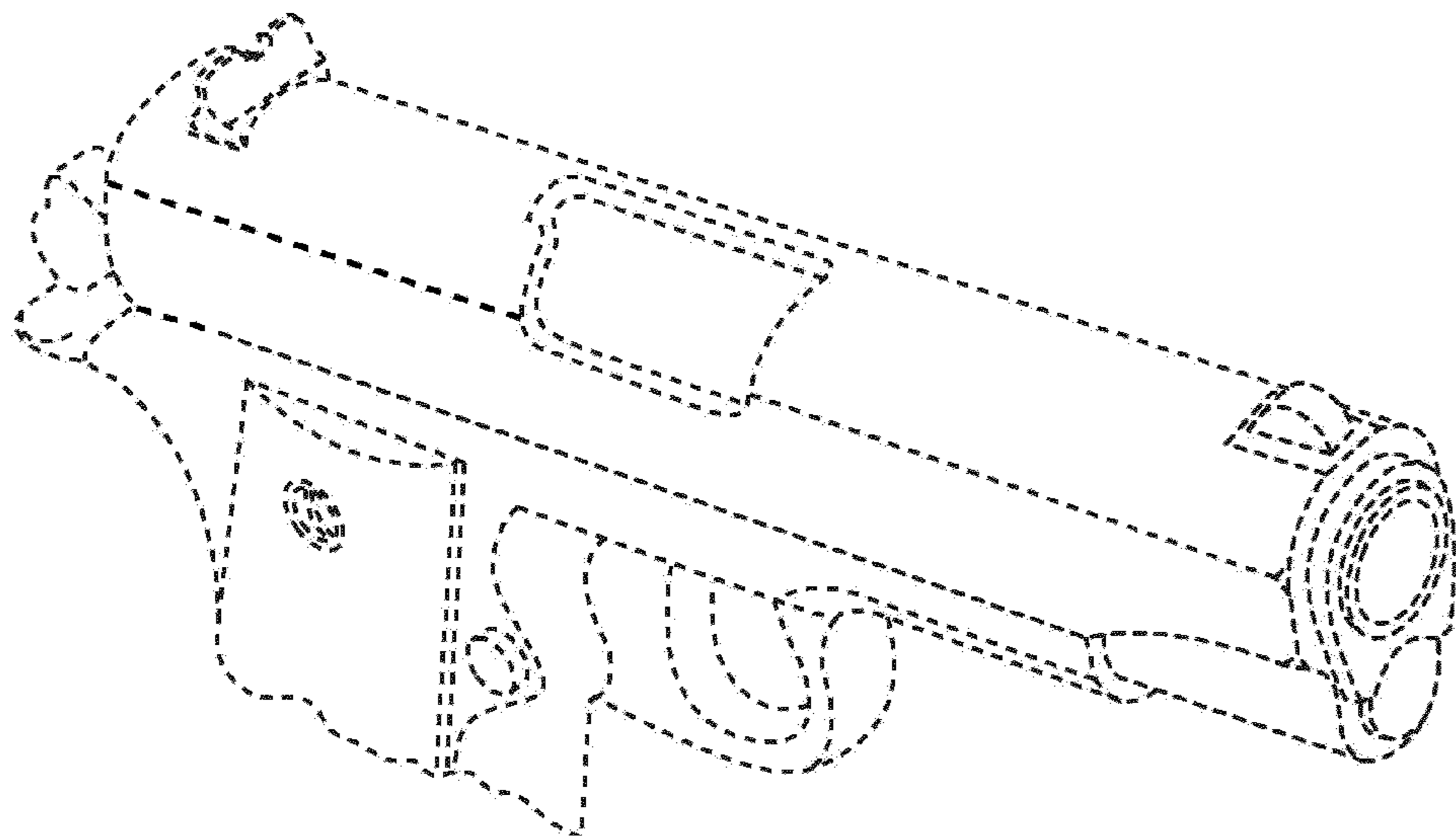


FIG. 14

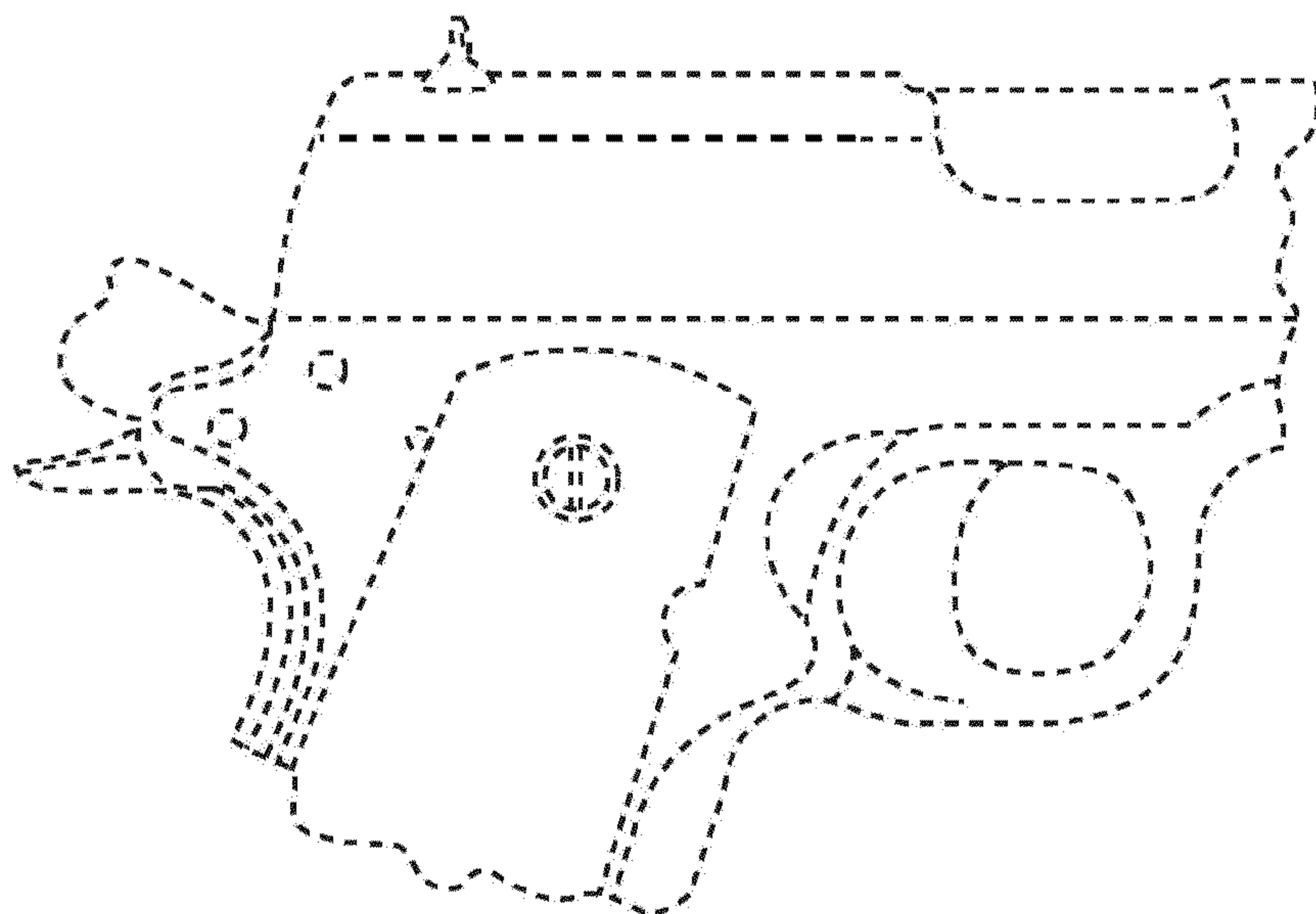


FIG. 15

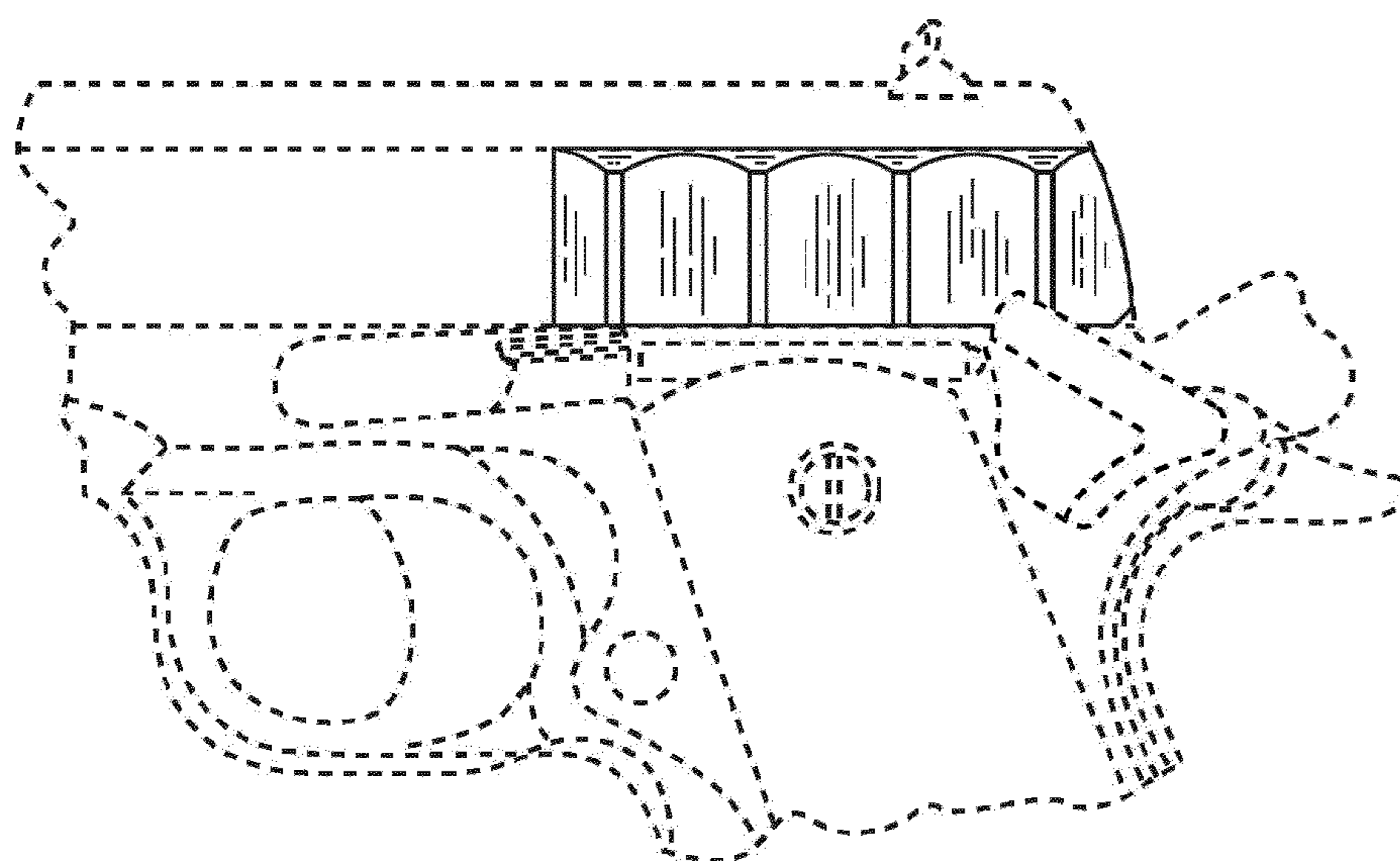


FIG. 16

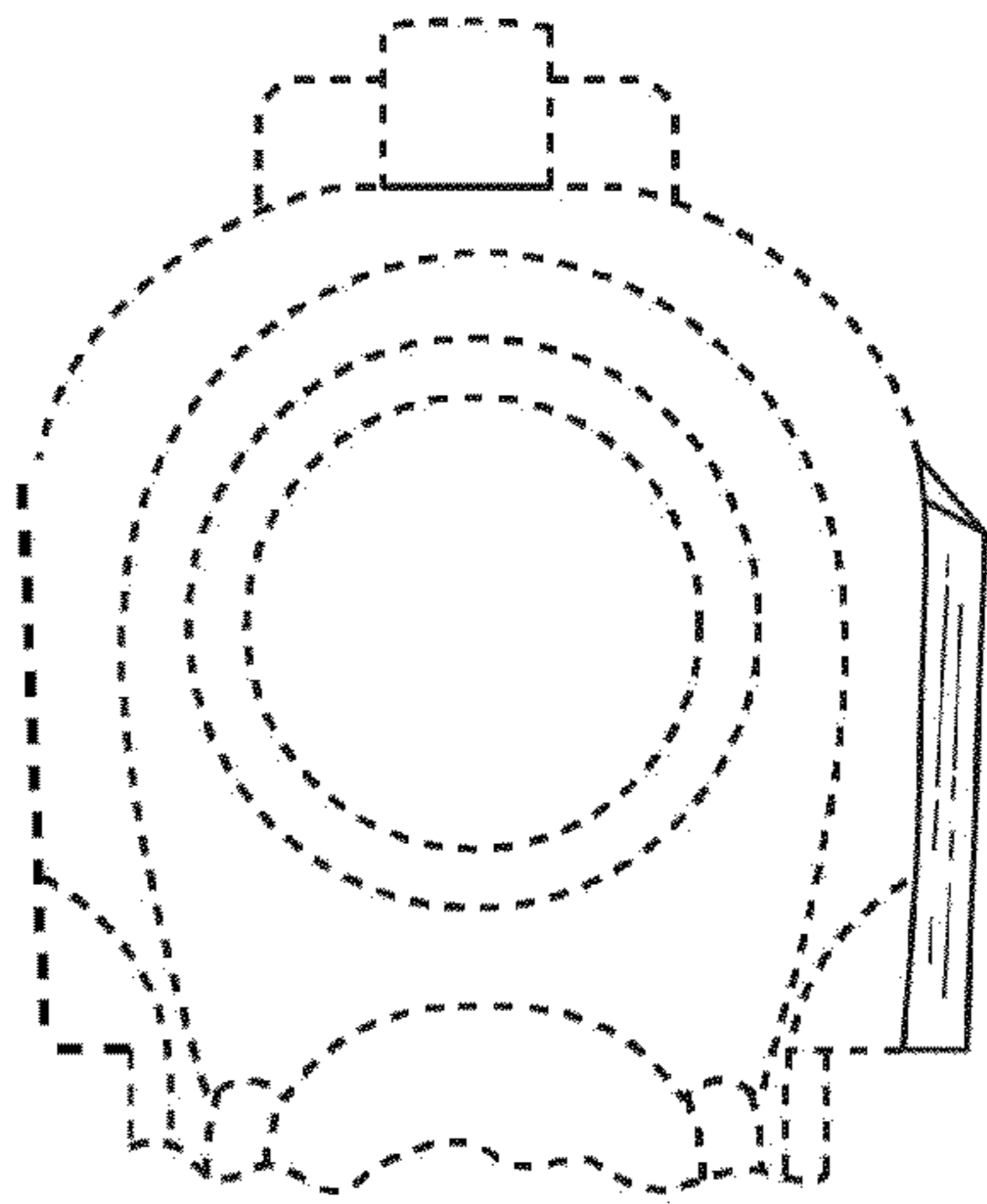


FIG. 17

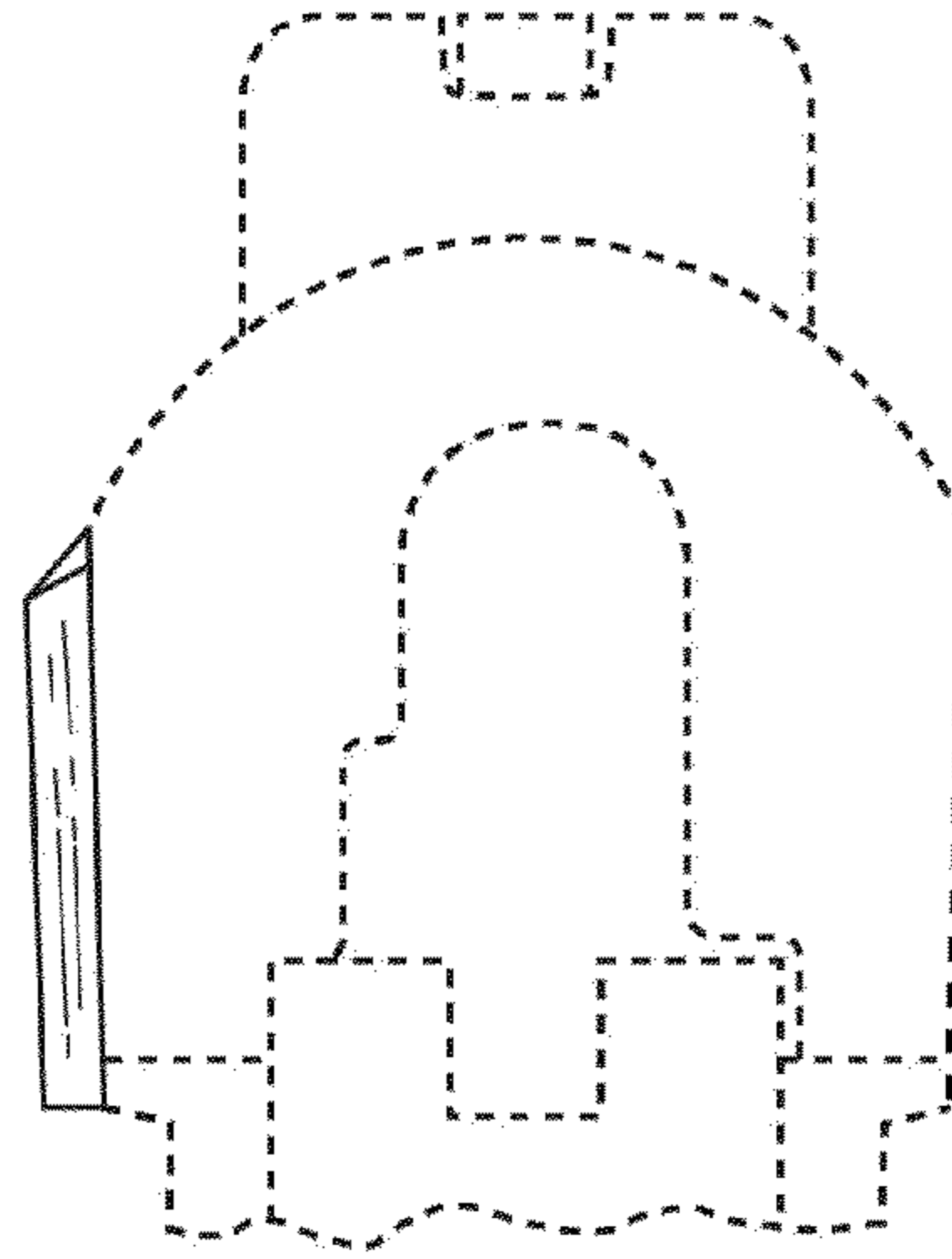


FIG. 18

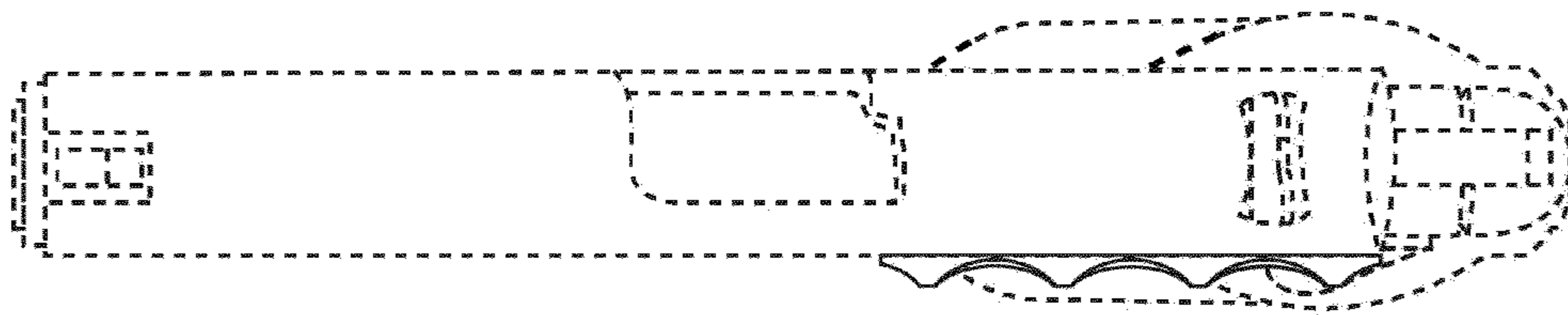


FIG. 19

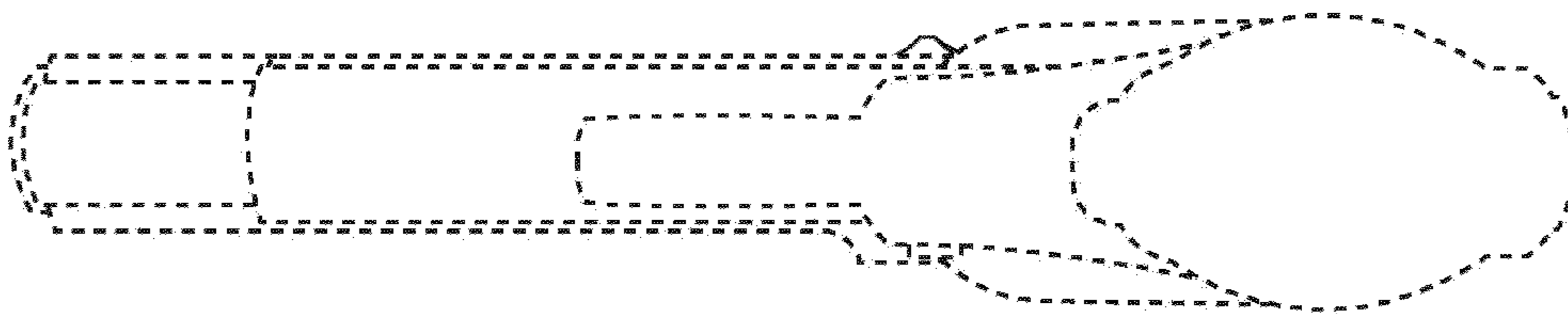


FIG. 20

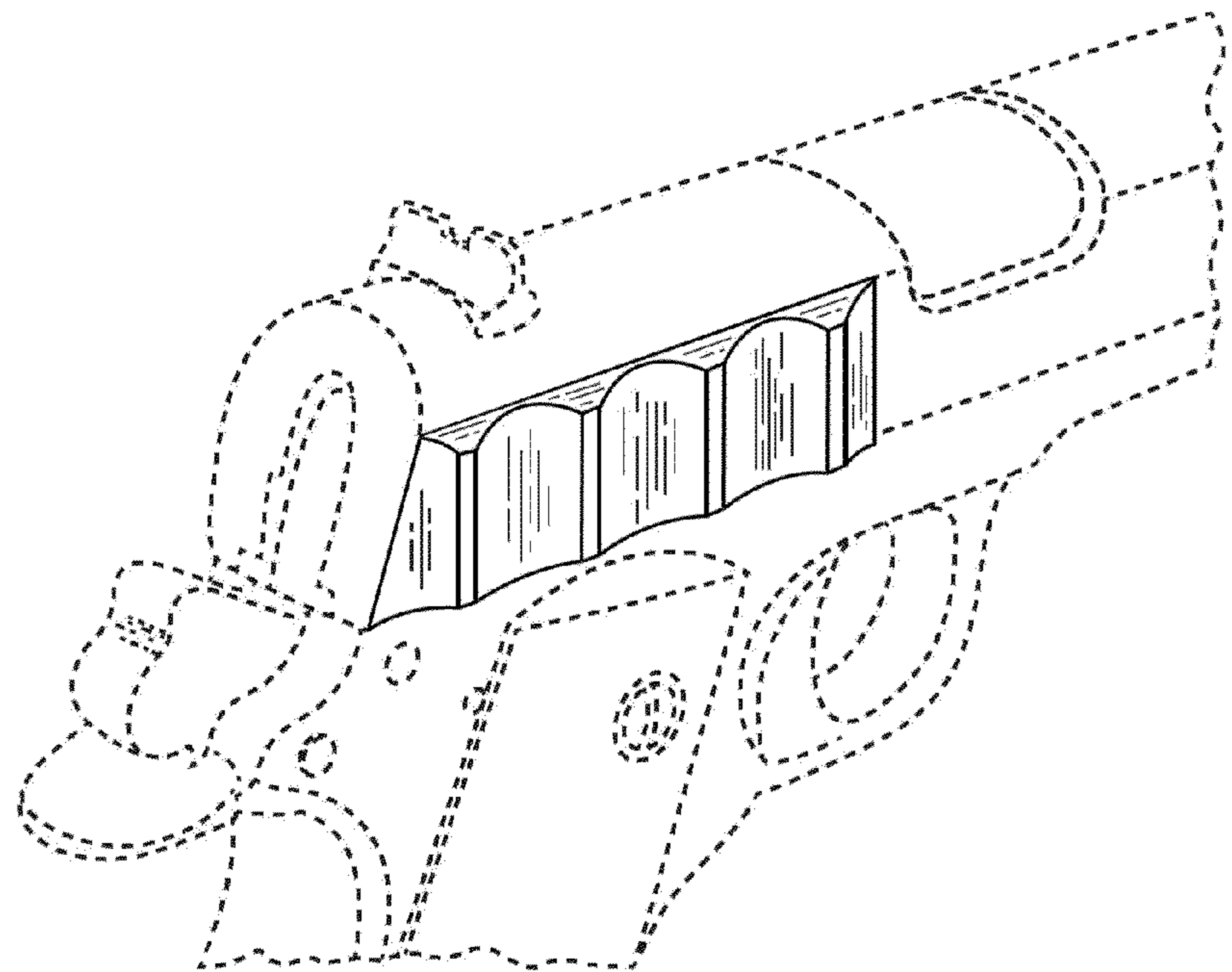


FIG. 21

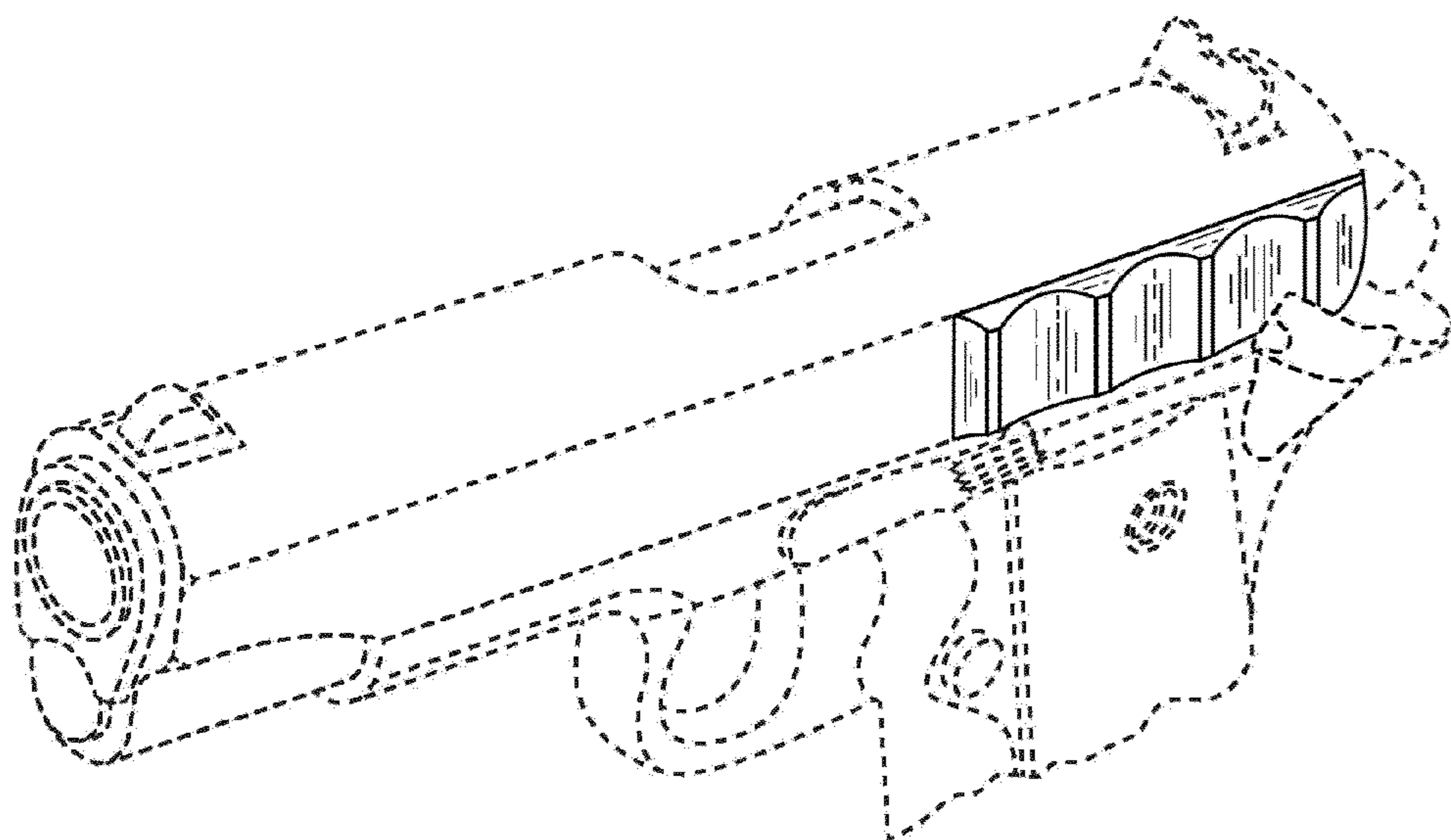


FIG. 22

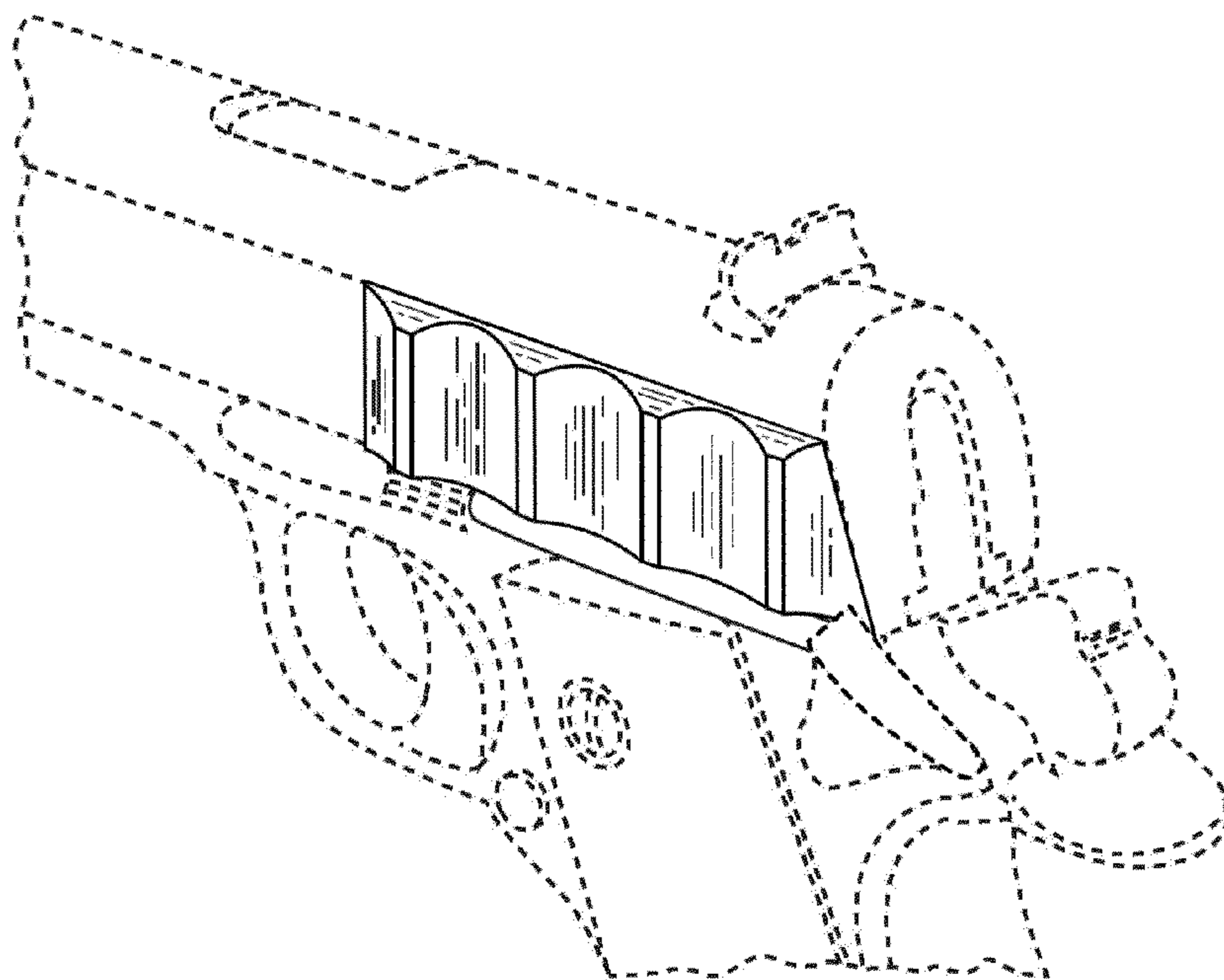


FIG. 23

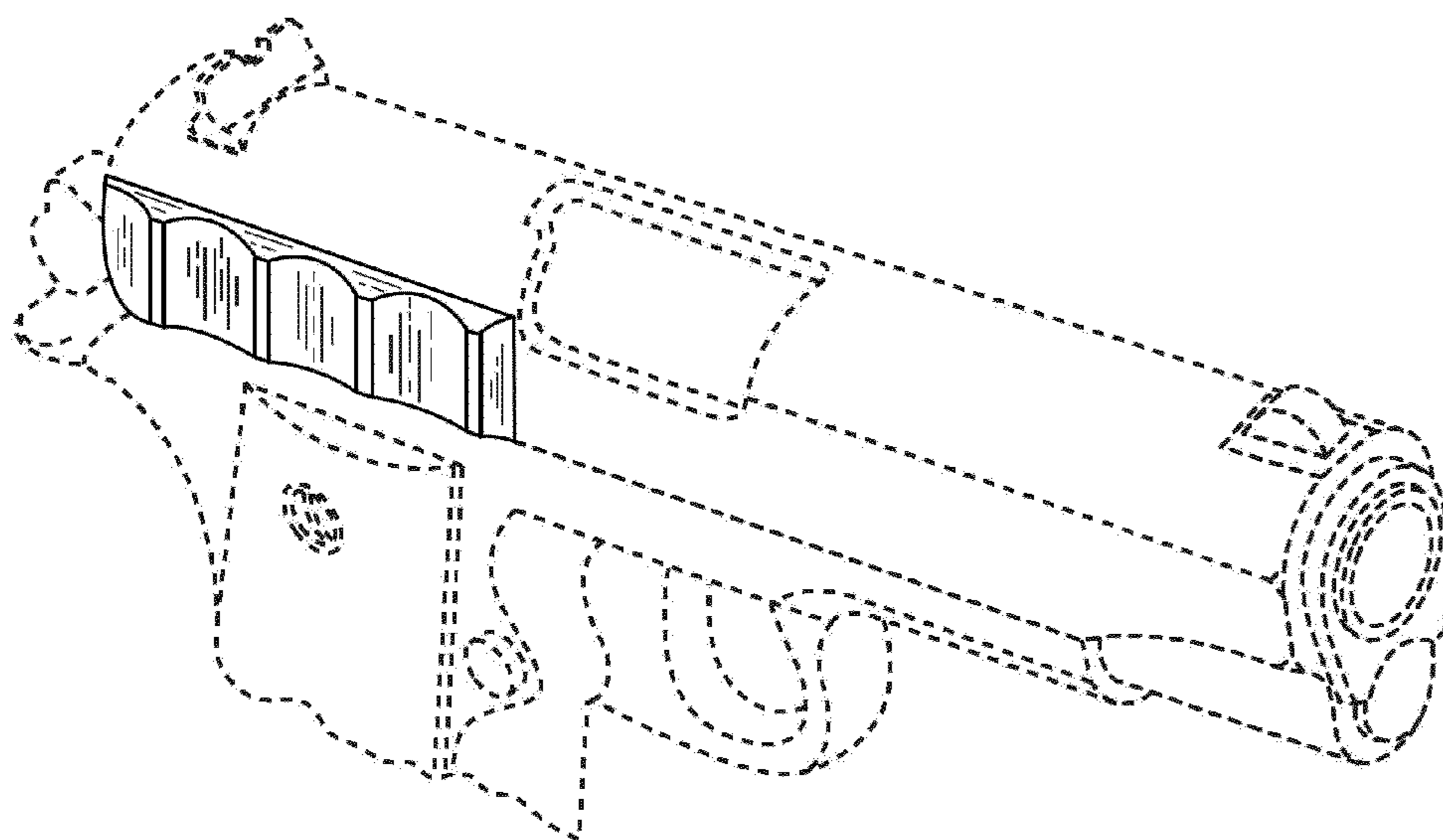


FIG. 24

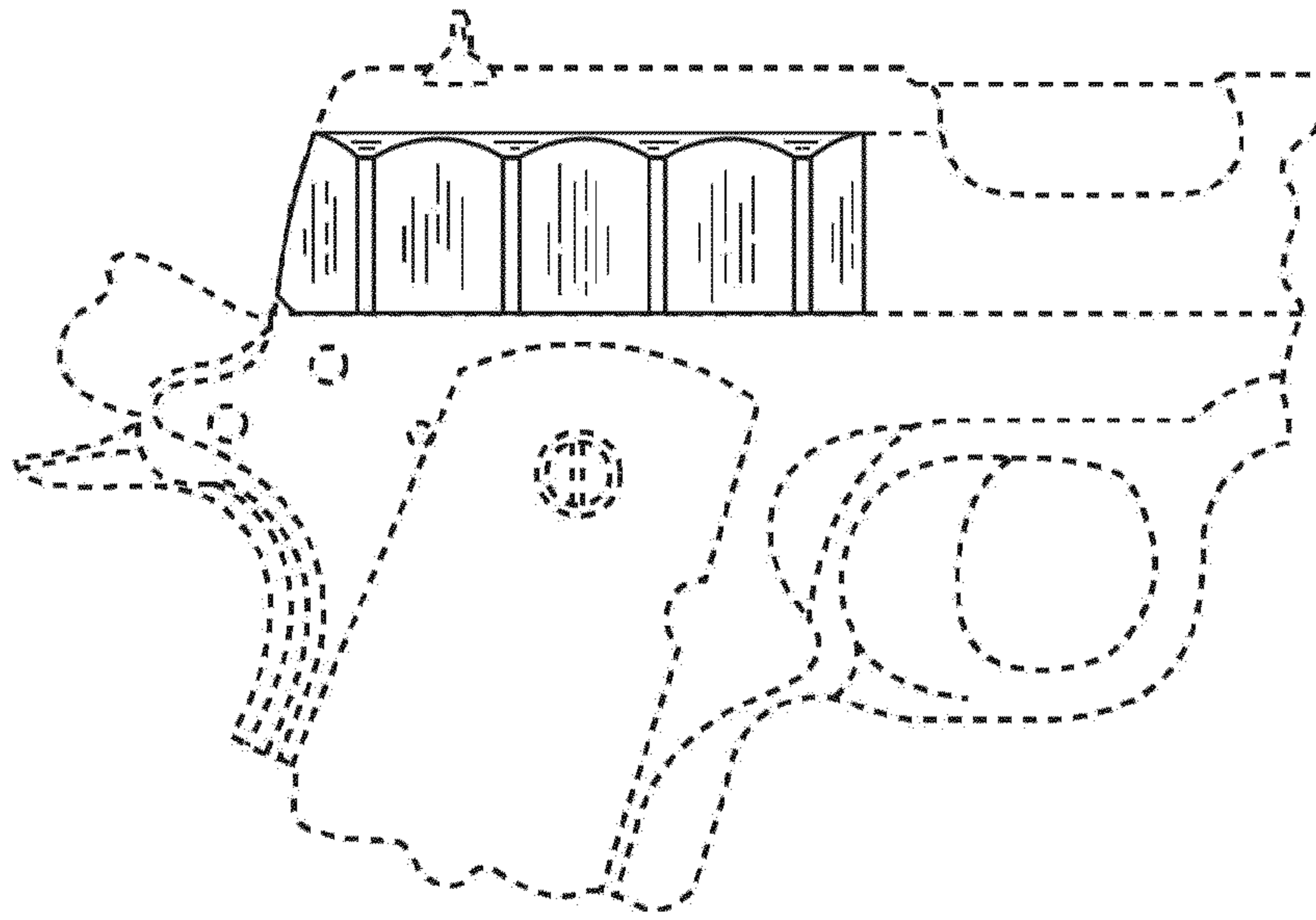


FIG. 25

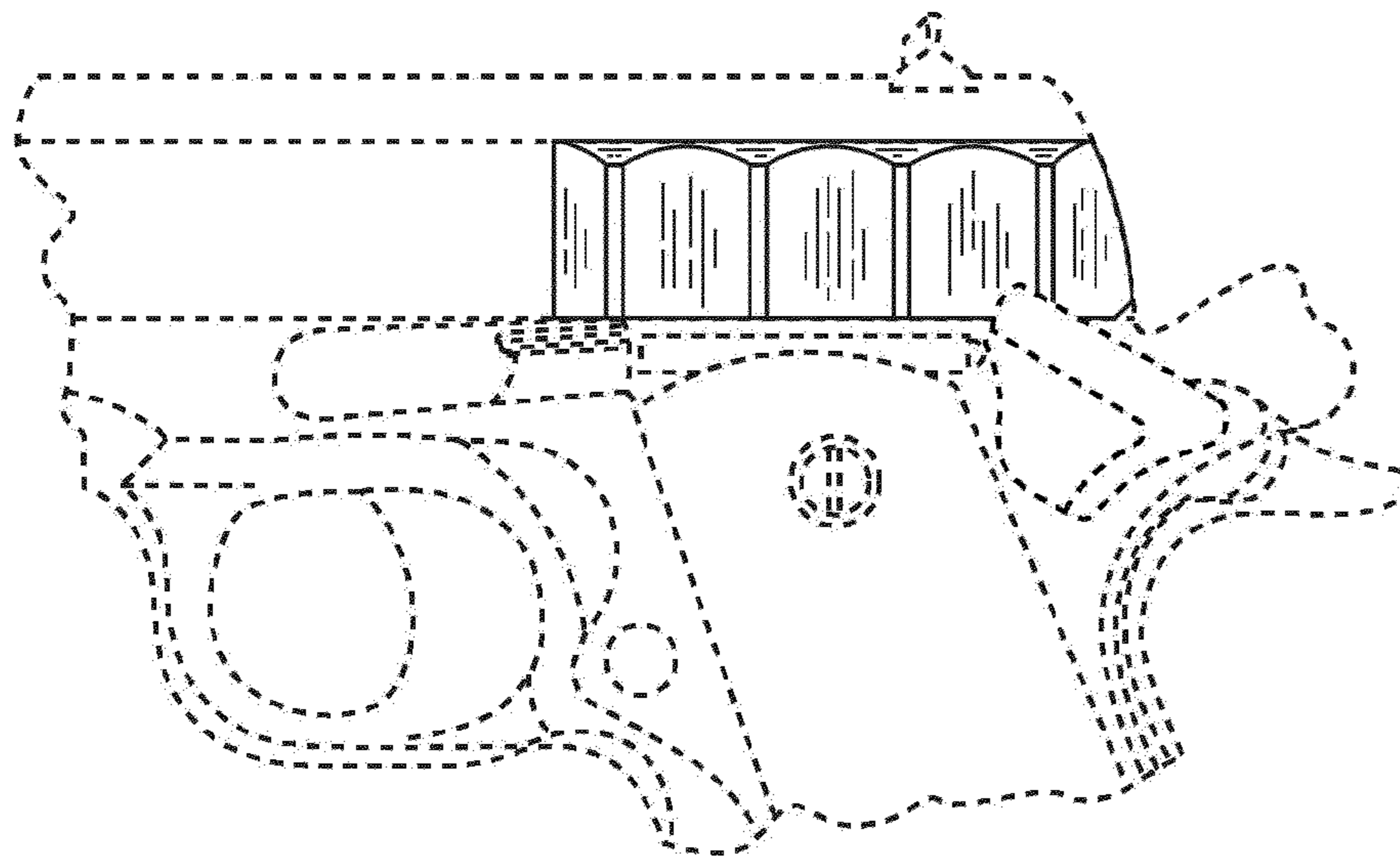


FIG. 26

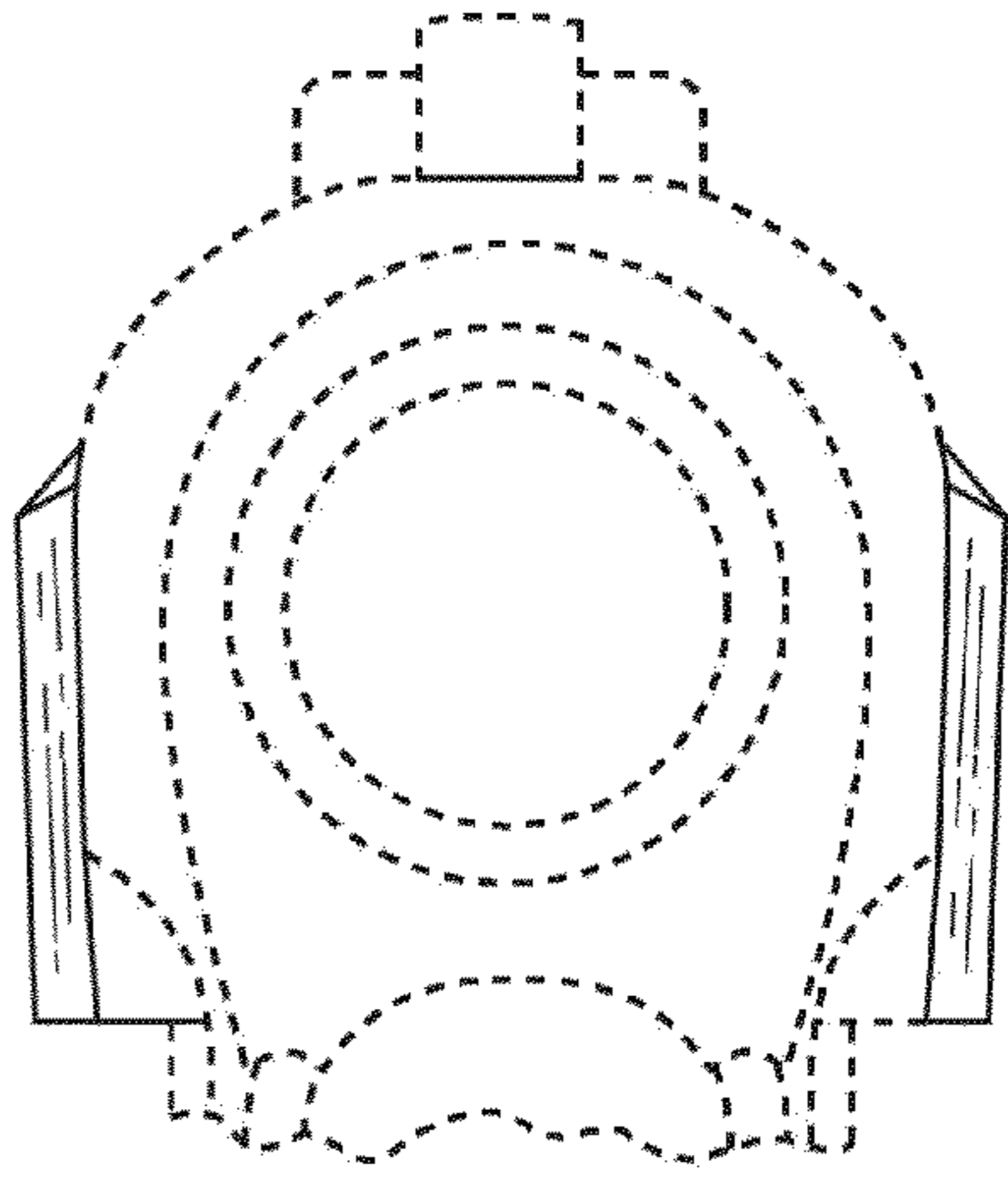


FIG. 27

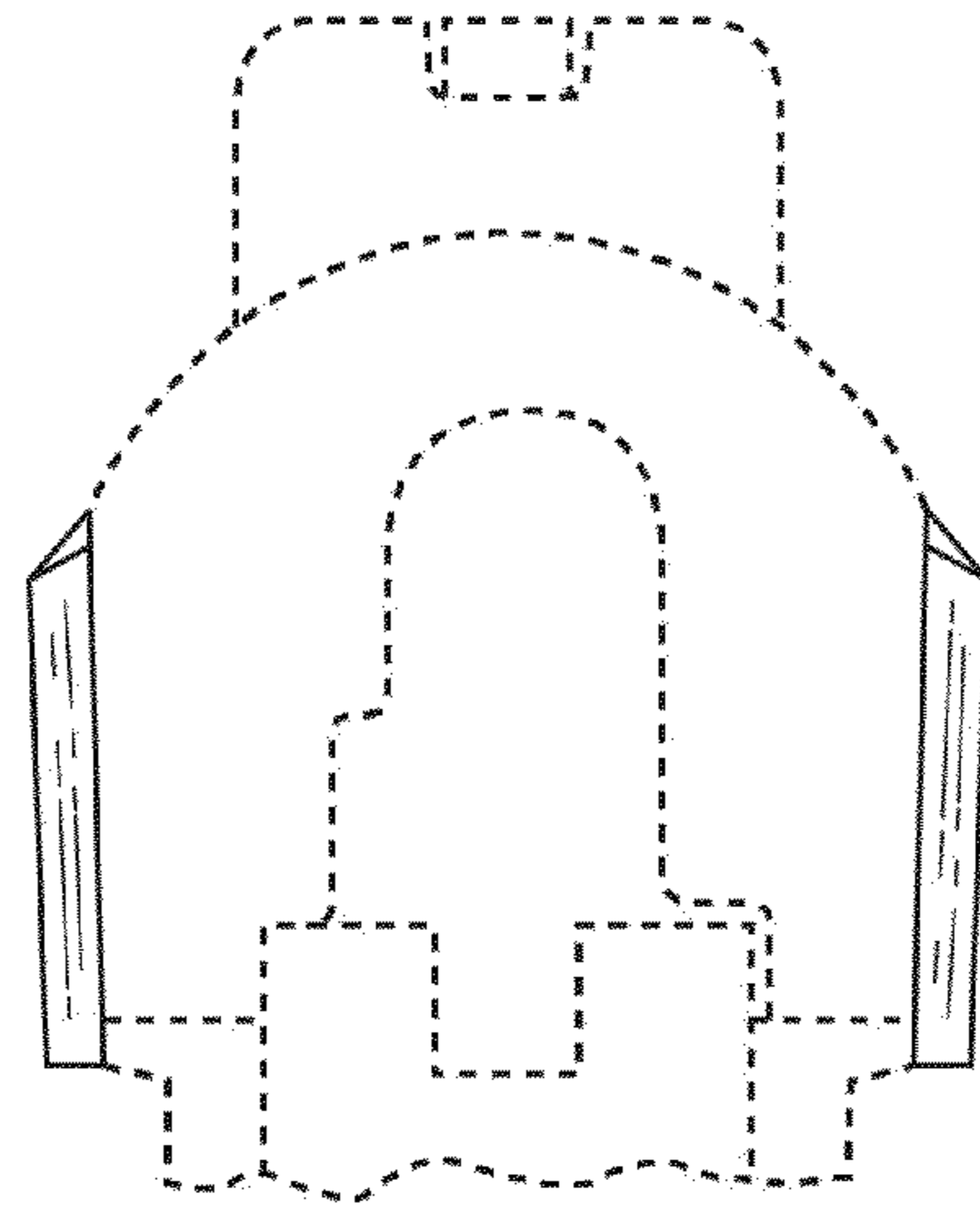


FIG. 28

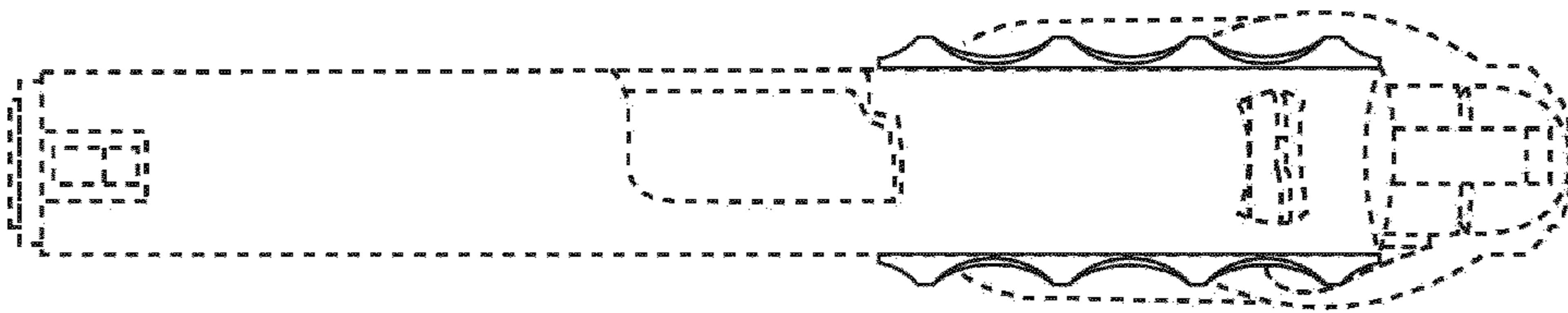


FIG. 29

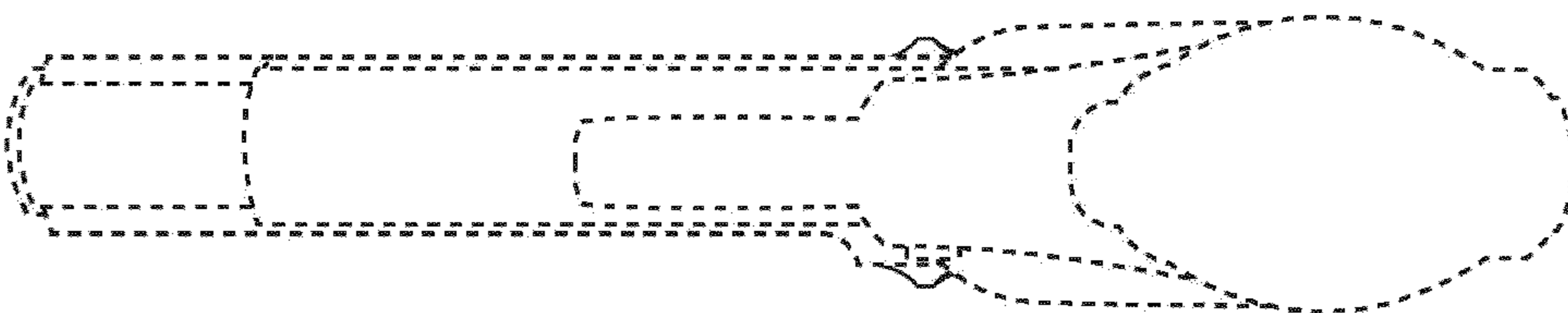


FIG. 30