



US00D697995S

(12) **United States Design Patent**  
**Kera**

(10) **Patent No.:** **US D697,995 S**  
(45) **Date of Patent:** **\*\* Jan. 21, 2014**

(54) **GUN BARREL**  
(76) Inventor: **Michael Ira Kera**, Dobbs Ferry, NY  
(US)  
(\*\*) Term: **14 Years**  
(21) Appl. No.: **29/426,704**  
(22) Filed: **Jul. 10, 2012**  
(51) **LOC (10) Cl.** ..... **22-01**  
(52) **U.S. Cl.**  
USPC ..... **D22/108**  
(58) **Field of Classification Search**  
USPC ..... D22/108; 89/14.05, 14.1-14.8;  
42/8-12, 44, 63-64, 75.01-75.04,  
42/76.01, 76.02-76.1  
See application file for complete search history.

7,966,762 B2 \* 6/2011 Barrett ..... 42/75.03  
D662,169 S \* 6/2012 Arnedo Vera et al. .... D22/108  
2010/0307042 A1 \* 12/2010 Jarboe et al. .... 42/6

**FOREIGN PATENT DOCUMENTS**

DE 3218550 A1 \* 11/1983 ..... F41D 11/00

\* cited by examiner

*Primary Examiner* — Michael A Pratt

(74) *Attorney, Agent, or Firm* — Donald J. Ranft; Collen IP

(57) **CLAIM**

The ornamental design for a gun barrel, as shown.

**DESCRIPTION**

FIG. 1 is a right side view of a gun barrel showing our new design;  
FIG. 2 is a left side view thereof;  
FIG. 3 is a bottom view thereof;  
FIG. 4 is a top view thereof;  
FIG. 5 is a front view thereof;  
FIG. 6 is rear view thereof;  
FIG. 7 is a front perspective view thereof; and,  
FIG. 8 is a rear perspective view thereof.

**1 Claim, 2 Drawing Sheets**

(56) **References Cited**  
**U.S. PATENT DOCUMENTS**  
1,329,361 A \* 2/1920 Blizard ..... 42/112  
4,010,564 A \* 3/1977 Pettit ..... 42/112  
5,018,293 A \* 5/1991 Mainland ..... 42/77  
D593,630 S \* 6/2009 Salva ..... D22/108  
D593,631 S \* 6/2009 Salva ..... D22/108  
D606,154 S \* 12/2009 Casas Salva ..... D22/108

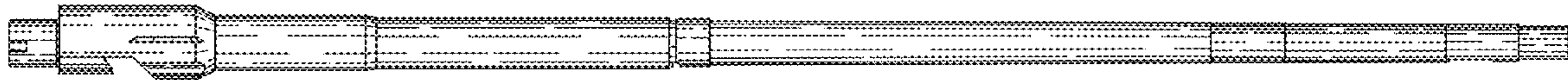


Fig. 1

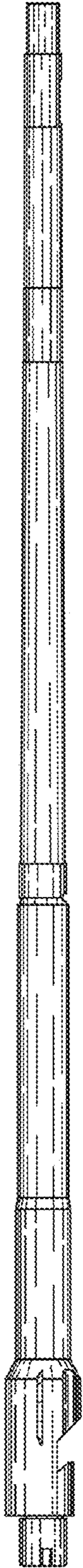


Fig. 2

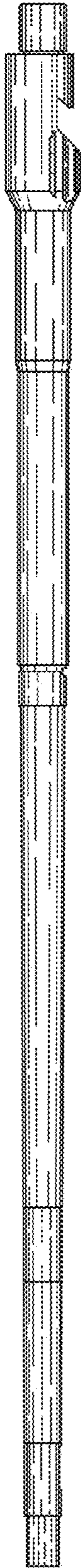


Fig. 3

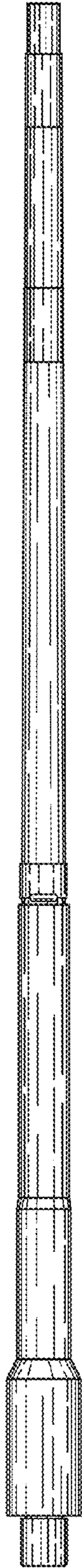


Fig. 4

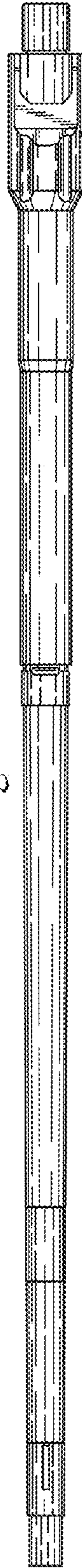


Fig. 5



Fig. 6



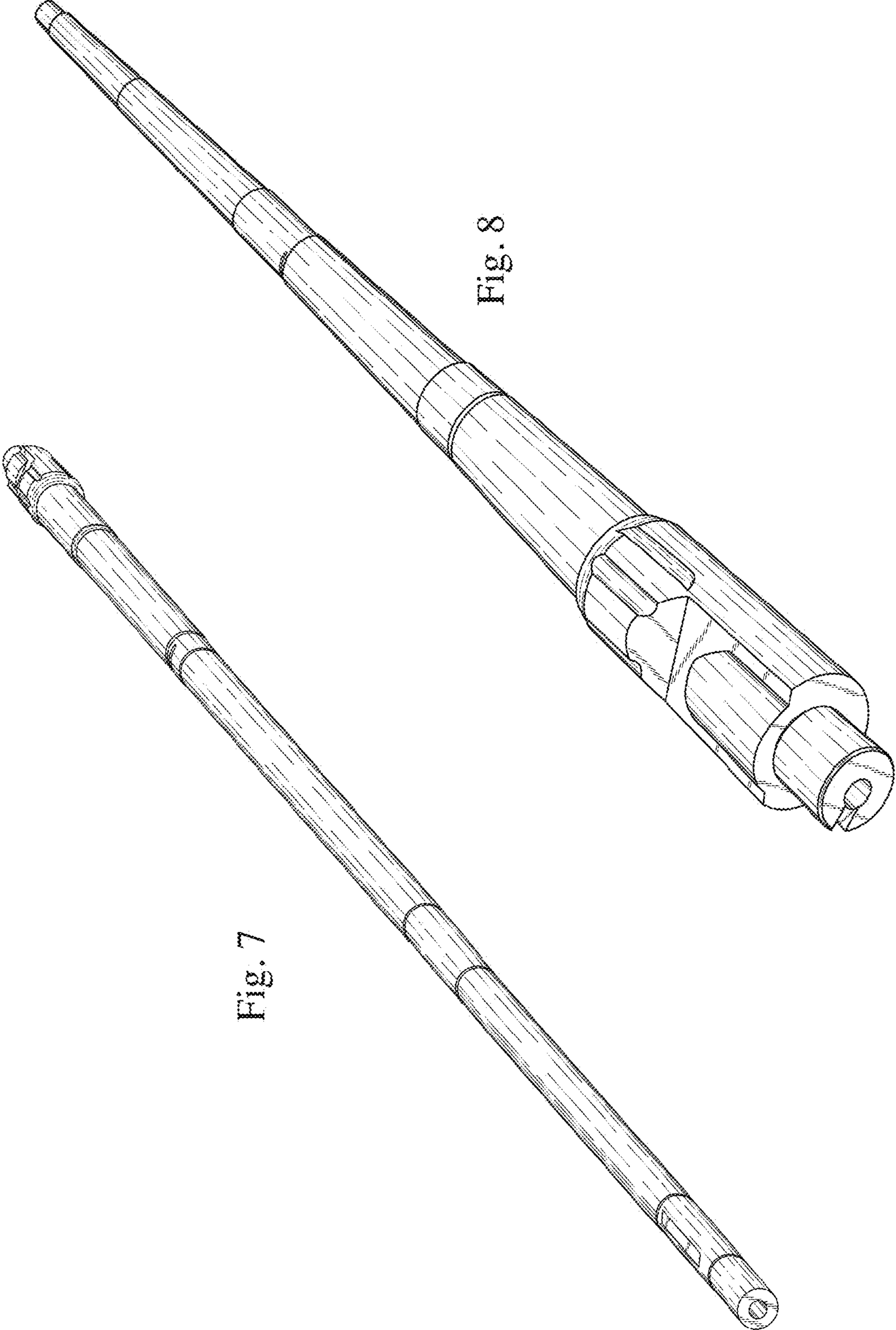


Fig. 8

Fig. 7