



US00D697993S

(12) **United States Design Patent**  
**Satzinger**

(10) **Patent No.:** **US D697,993 S**

(45) **Date of Patent:** **\*\* Jan. 21, 2014**

(54) **BARREL MOUNTED PICATINNY RAIL**

(76) Inventor: **Frank Satzinger**, Polling (DE)

(\*\*) Term: **14 Years**

(21) Appl. No.: **29/420,696**

(22) Filed: **May 11, 2012**

(30) **Foreign Application Priority Data**

Mar. 8, 2012 (EM) ..... 002005249

(51) **LOC (10) Cl.** ..... **22-01**

(52) **U.S. Cl.**  
USPC ..... **D22/108**

(58) **Field of Classification Search**  
USPC ..... D22/108; D8/356; 42/85, 94;  
D29/101.1, 101.2; 224/150;  
D3/214–215, 221, 262, 327–328  
See application file for complete search history.

(56) **References Cited**

**U.S. PATENT DOCUMENTS**

7,739,939	B2 *	6/2010	Adams	89/191.01
D664,233	S *	7/2012	Heidkamp et al.	D22/108
2006/0037226	A1 *	2/2006	Garrett et al.	42/85
2009/0077855	A1 *	3/2009	Pritchett	42/90
2010/0162609	A1 *	7/2010	Rogers et al.	42/85
2011/0017788	A1 *	1/2011	Haley et al.	224/150
2011/0226227	A1 *	9/2011	Douglas et al.	124/77
2012/0291329	A1 *	11/2012	Ubl et al.	42/71.01

2012/0311910 A1\* 12/2012 Mironichev et al. .... 42/90

\* cited by examiner

*Primary Examiner* — Michael A Pratt

(74) *Attorney, Agent, or Firm* — Factor Intellectual Property Law Group, Ltd.

(57) **CLAIM**

The ornamental design for barrel mounted Picatinny rail, as shown and described.

**DESCRIPTION**

This application is related to U.S. patent application Ser. Nos. 29/420,687, entitled Universal Sling Mount for Picatinny Rail; 29/420,689, entitled Barrel Mounted Picatinny Rail; 29/420,697, entitled Barrel Mounted Picatinny Rail—all of which were simultaneously filed with the present application on May 11, 2012.

FIG. 1 is a top view of the barrel mounted Picatinny rail showing a new ornamental design thereof;

FIG. 2 is a bottom view of the barrel mounted Picatinny rail shown in FIG. 1;

FIG. 3 is a front elevation view of the barrel mounted Picatinny rail shown in FIG. 1;

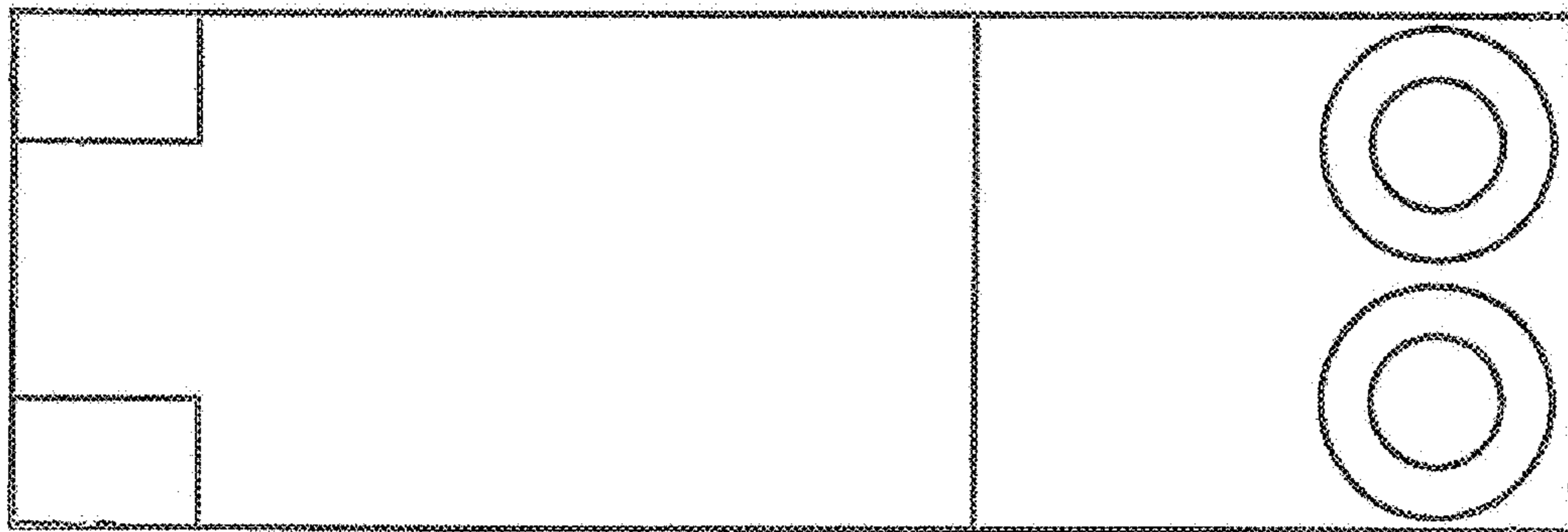
FIG. 4 is a rear elevation view of the barrel mounted Picatinny rail shown in FIG. 1;

FIG. 5 is a left side elevation view of the barrel mounted Picatinny rail shown in FIG. 1;

FIG. 6 is a right side elevation view of the barrel mounted Picatinny rail shown in FIG. 1; and,

FIG. 7 is a rear perspective view of the barrel mounted Picatinny rail shown in FIG. 1.

**1 Claim, 7 Drawing Sheets**



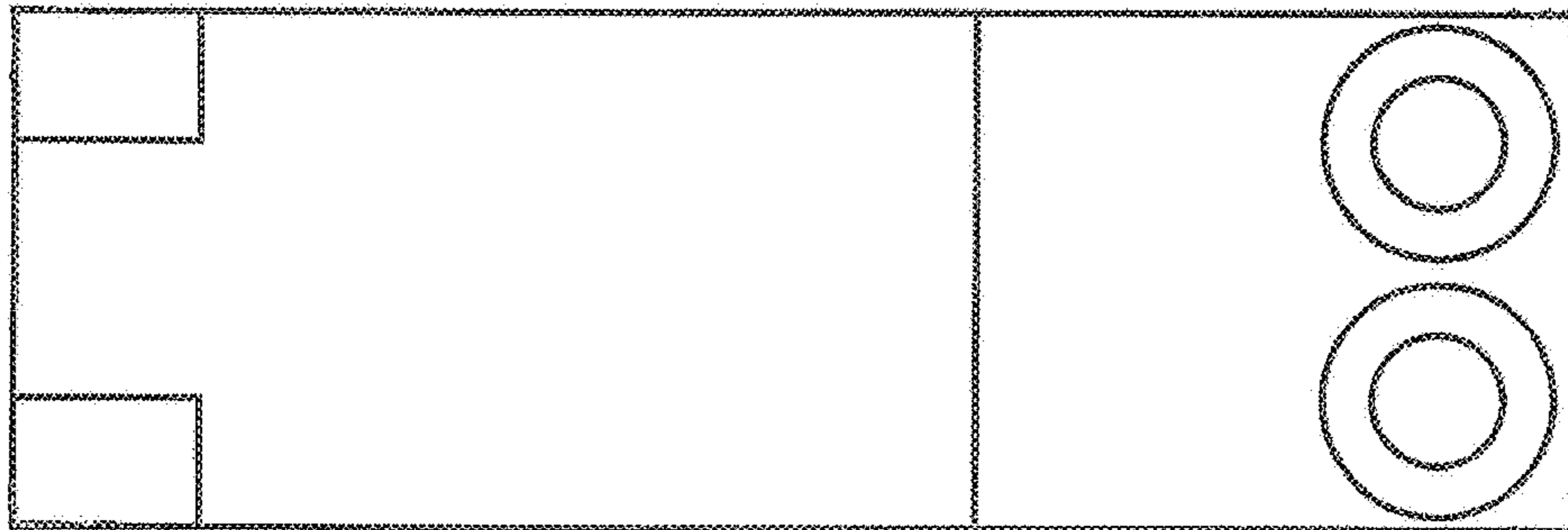


Fig. 1

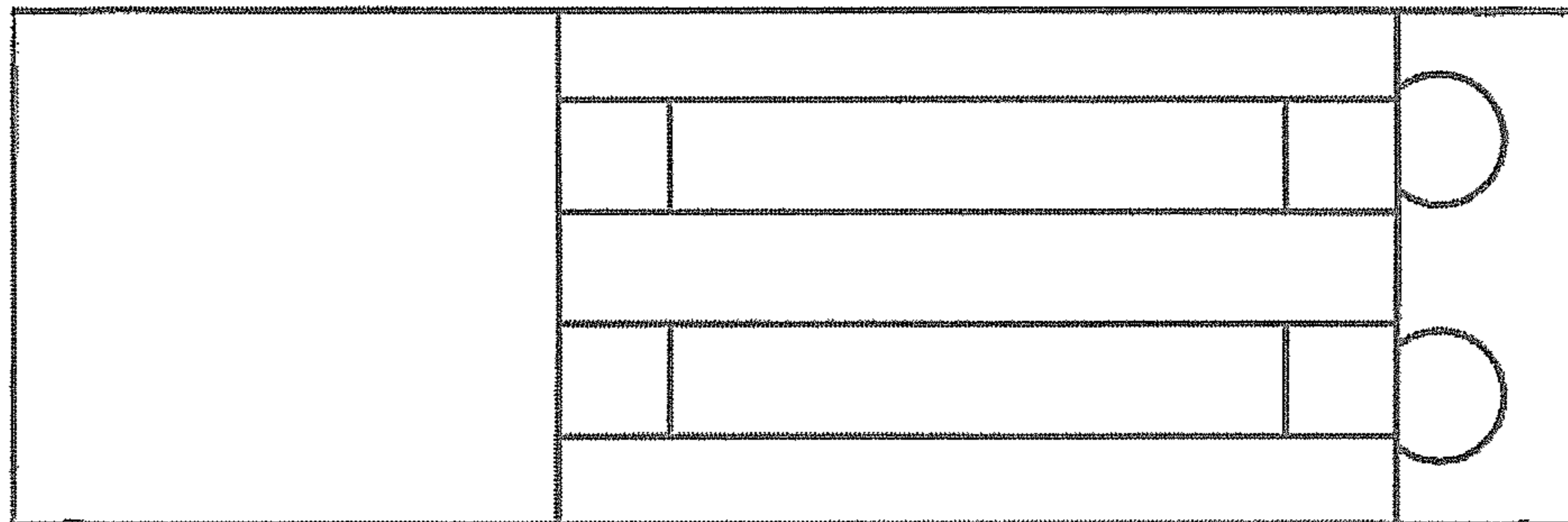


Fig. 2

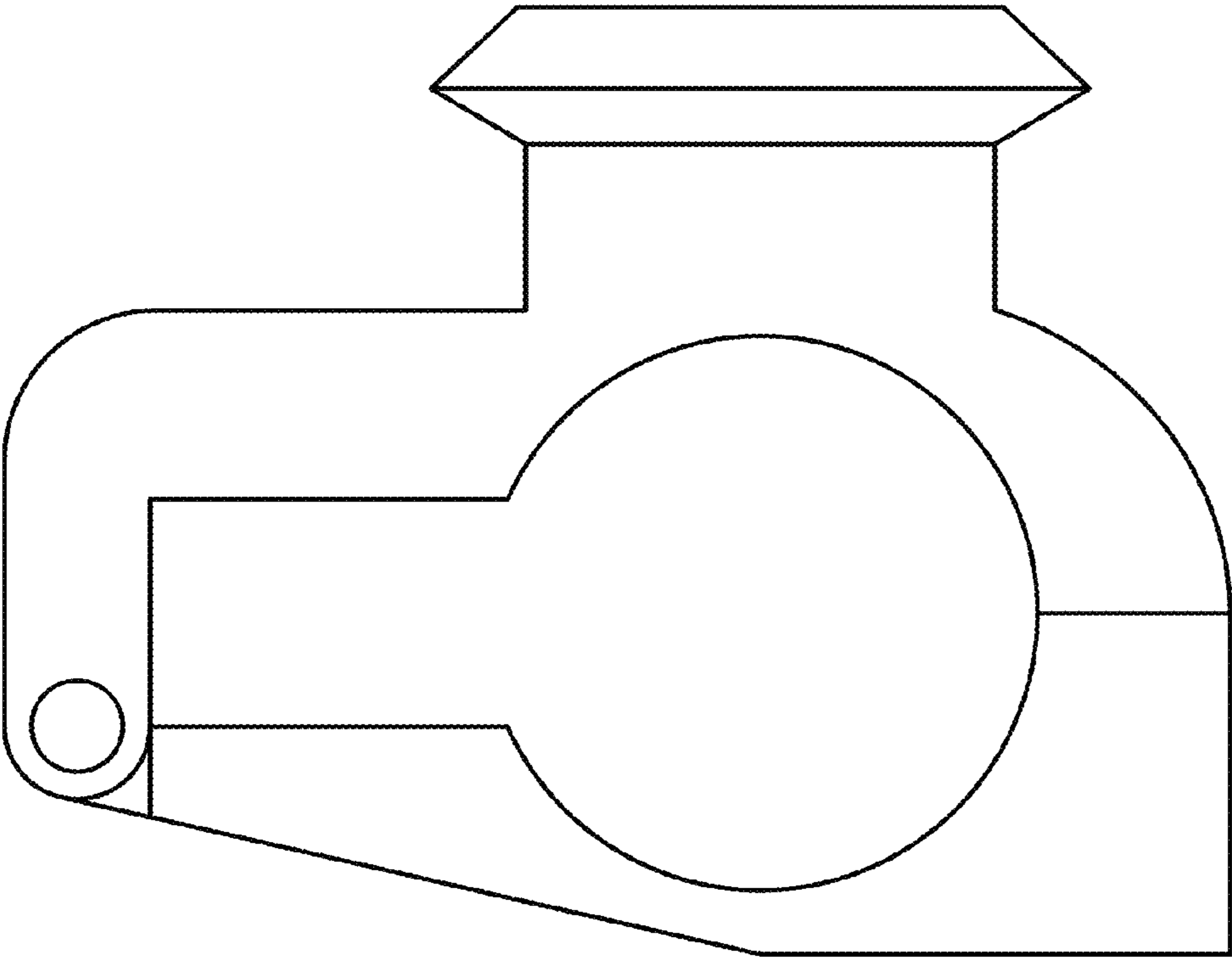


Fig. 3

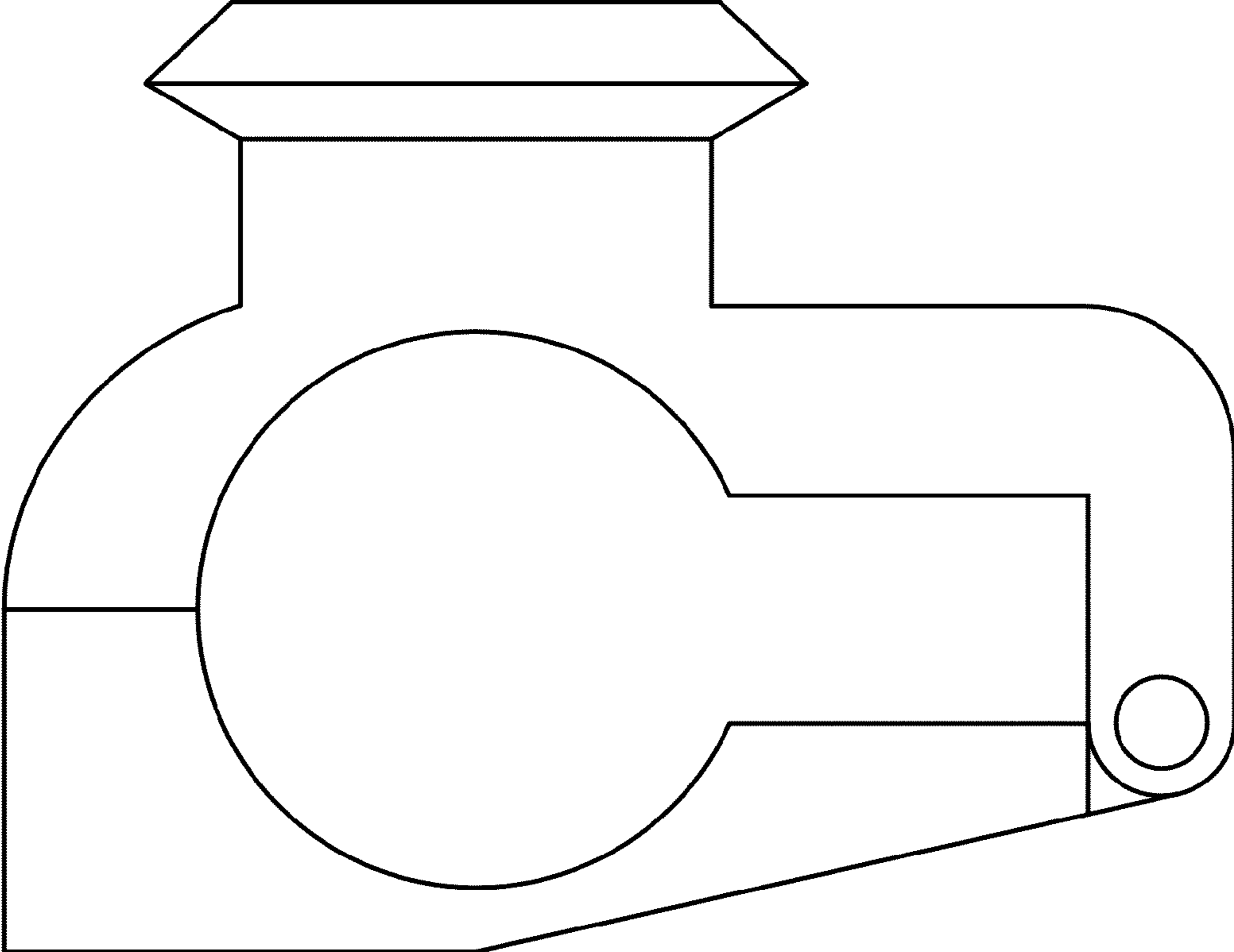


Fig. 4

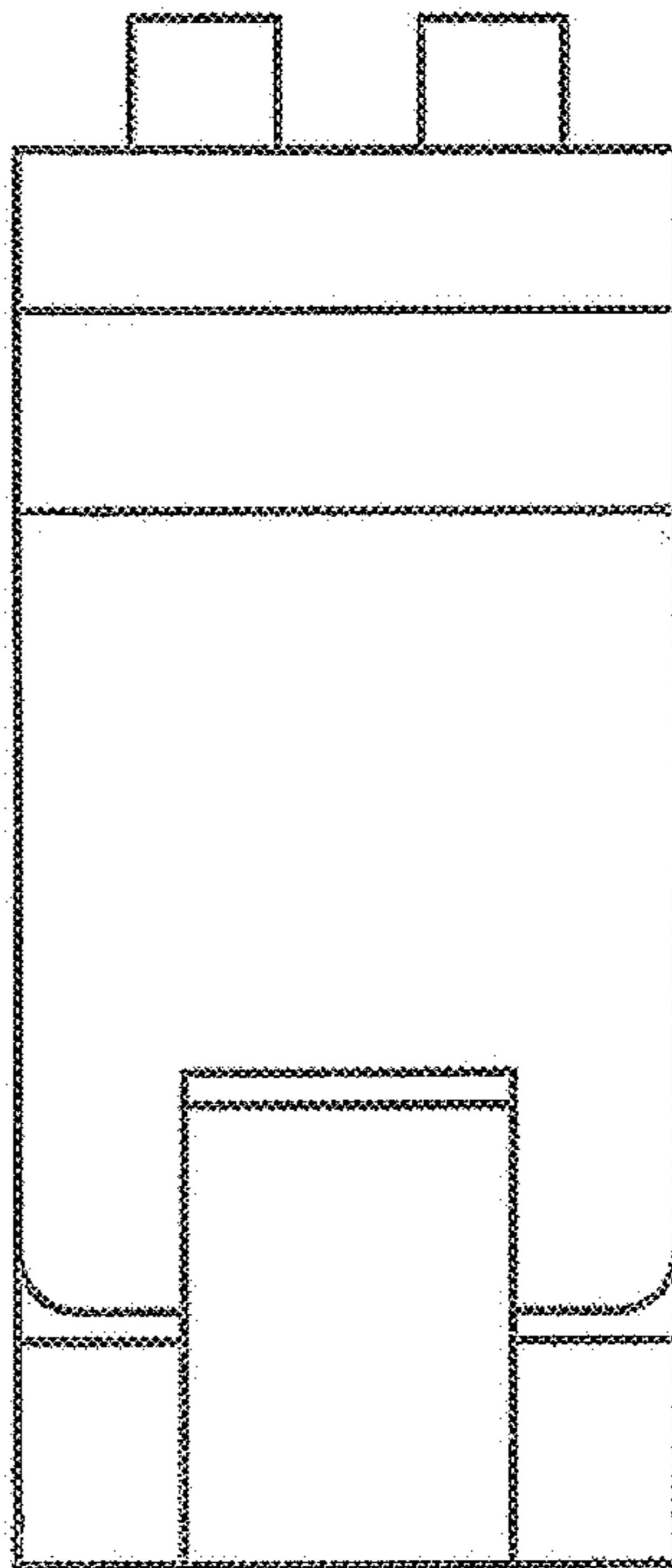


Fig. 5

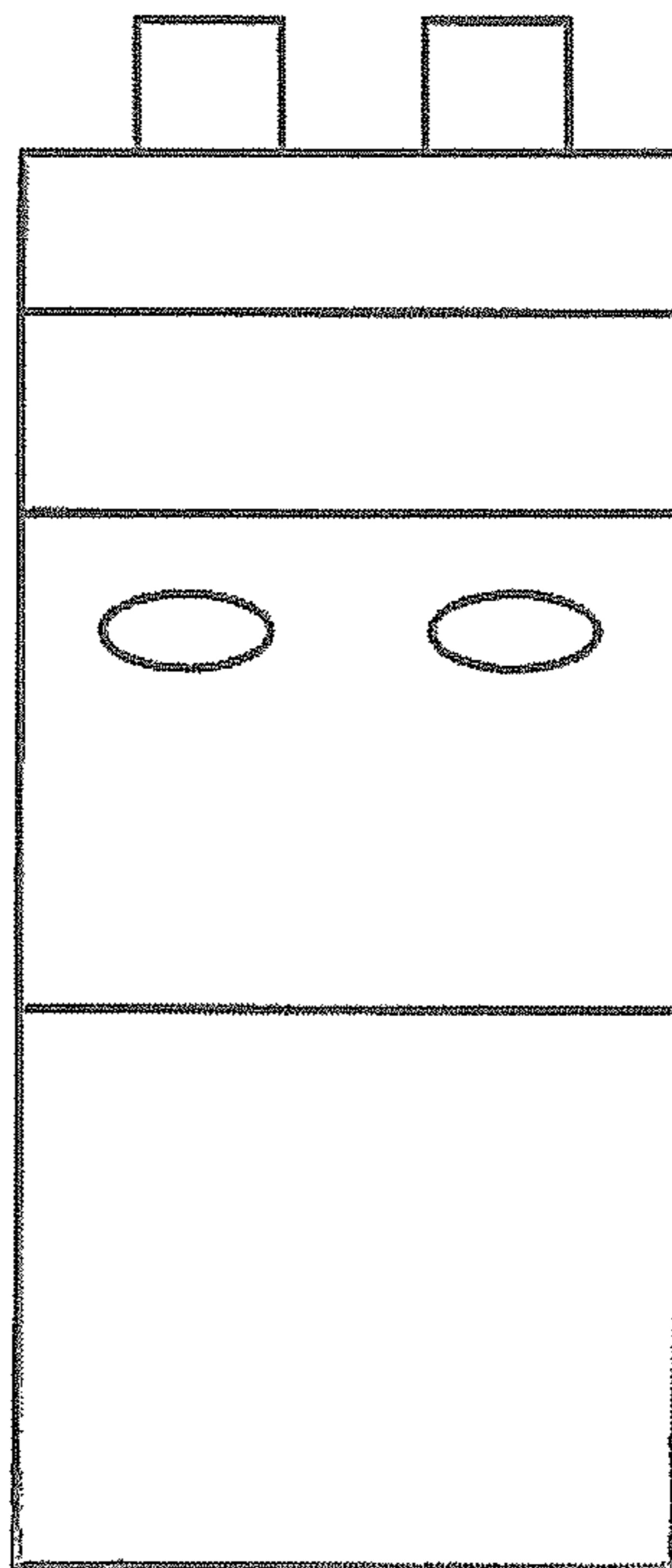


Fig. 6



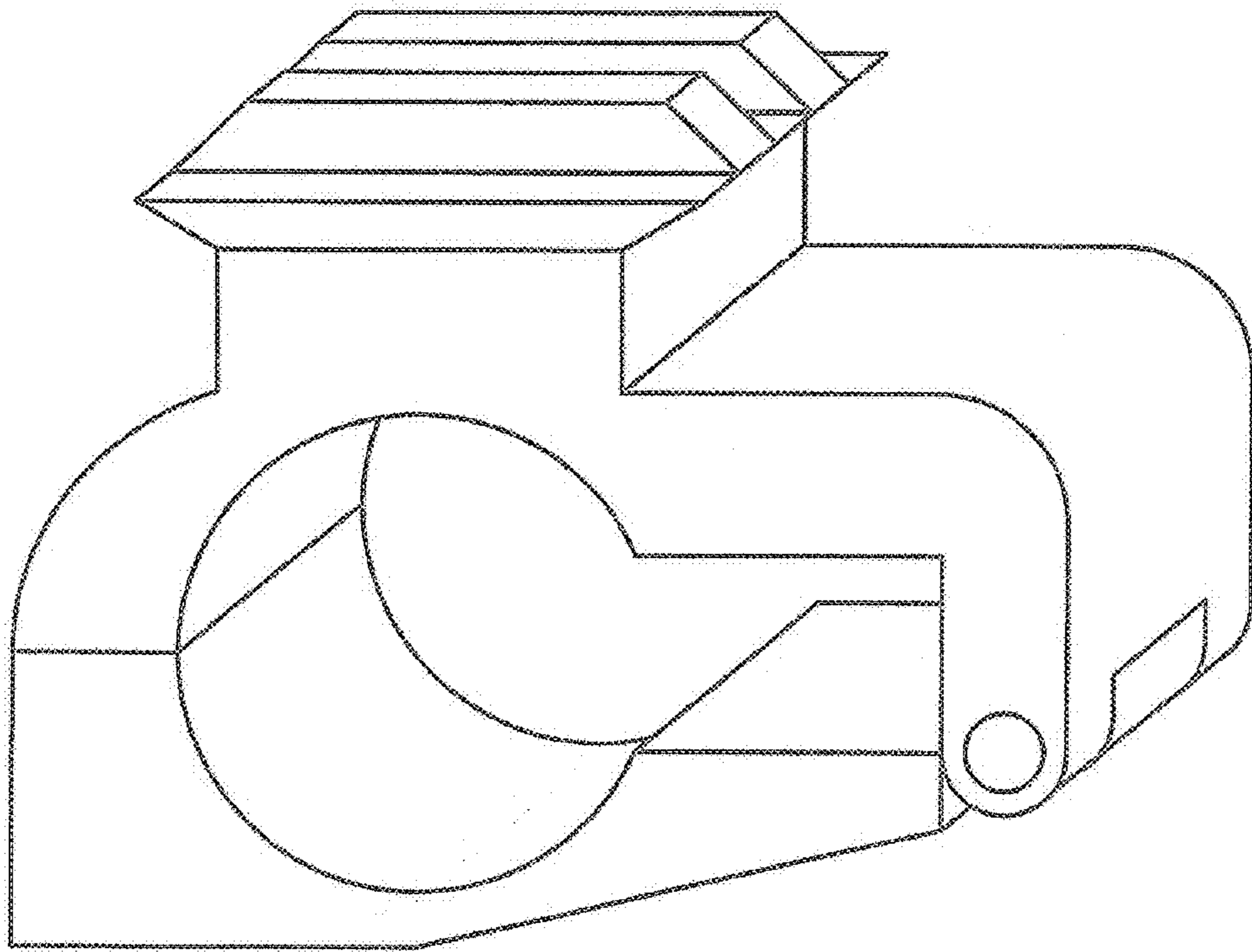


Fig. 7