

US00D697988S

(12) **United States Design Patent**  
**Januszek**

(10) **Patent No.:** **US D697,988 S**  
(45) **Date of Patent:** **\*\* Jan. 21, 2014**

(54) **MODULAR EXERCISE FRAME**

(75) Inventor: **Richard Januszek**, Peterborough (GB)

(73) Assignee: **Escape Fitness Limited**, Peterborough, Cambridgeshire (GB)

(\*\*) Term: **14 Years**

(21) Appl. No.: **29/413,725**

(22) Filed: **Feb. 19, 2012**

(51) **LOC (10) Cl.** ..... **21-02**

(52) **U.S. Cl.**

USPC ..... **D21/686**; D21/797; D21/826

(58) **Field of Classification Search**

USPC ..... D21/662, 676, 686, 690, 691, 694, 797, D21/814, 818, 820, 823, 825, 826; 482/23, 482/35, 36, 38-40, 131, 104, 140, 142, 143, 482/165; 472/116, 117, 118, 120, 136; 182/23, 27, 172

See application file for complete search history.

(56) **References Cited**

**U.S. PATENT DOCUMENTS**

1,126,082	A *	1/1915	Reach	.....	482/23
1,779,903	A *	10/1930	Daragon	.....	482/23
D135,935	S *	7/1943	Miller	.....	D21/826
2,706,632	A *	4/1955	Chandler	.....	482/94
D180,402	S *	6/1957	Harris, Jr.	.....	D21/797
2,944,815	A *	7/1960	Moyer	.....	482/23
D222,487	S *	10/1971	Korte	.....	D21/826
D287,909	S *	1/1987	Weiss	.....	D6/329
D303,280	S *	9/1989	Mercer	.....	D21/826
5,755,641	A *	5/1998	Pardella	.....	482/36
D629,472	S *	12/2010	Rhodes	.....	D21/686
8,016,686	B2 *	9/2011	Liggett et al.	.....	472/136
D664,622	S *	7/2012	Orsulak et al.	.....	D21/797

\* cited by examiner

*Primary Examiner* — Susan E Krakower

(74) *Attorney, Agent, or Firm* — Ryan A. Schneider; Troutman Sanders LLP

(57) **CLAIM**

The ornamental design for a modular exercise frame, as shown and described.

**DESCRIPTION**

FIG. 1 is a bottom view of a modular exercise frame showing my new design;

FIG. 2 is a side view of the modular exercise frame of FIG. 1; FIG. 3 is a top perspective view of the modular exercise frame of FIG. 1;

FIG. 4 is another side view of the modular exercise frame of FIG. 1;

FIG. 5 is an exploded top perspective view of the modular exercise frame of FIG. 1;

FIG. 6 is a top view of a modular exercise frame of FIG. 1;

FIG. 7 is a side view showing a portion of the modular exercise frame of FIG. 1, separated only for better understanding of illustration, but is intended as a portion of the whole as shown in FIGS. 1-6;

FIG. 8 is a bottom view showing the portion of the modular exercise frame of FIG. 7, separated only for better understanding of illustration, but is intended as a portion of the whole as shown in FIGS. 1-6;

FIG. 9 is another side view showing the portion of the modular exercise frame of FIG. 7, separated only for better understanding of illustration, but is intended as a portion of the whole as shown in FIGS. 1-6;

FIG. 10 is a top perspective view showing the portion of the modular exercise frame of FIG. 7, separated only for better understanding of illustration, but is intended as a portion of the whole as shown in FIGS. 1-6;

FIG. 11 is another side view showing the portion of the modular exercise frame of FIG. 7, separated only for better understanding of illustration, but is intended as a portion of the whole as shown in FIGS. 1-6;

FIG. 12 is a top view showing the portion of the modular exercise frame of FIG. 7, separated only for better understanding of illustration, but is intended as a portion of the whole as shown in FIGS. 1-6;

FIG. 13 is a bottom view showing a portion of the modular exercise frame of FIG. 1, separated only for better understanding of illustration, but is intended as a portion of the whole as shown in FIGS. 1-6;

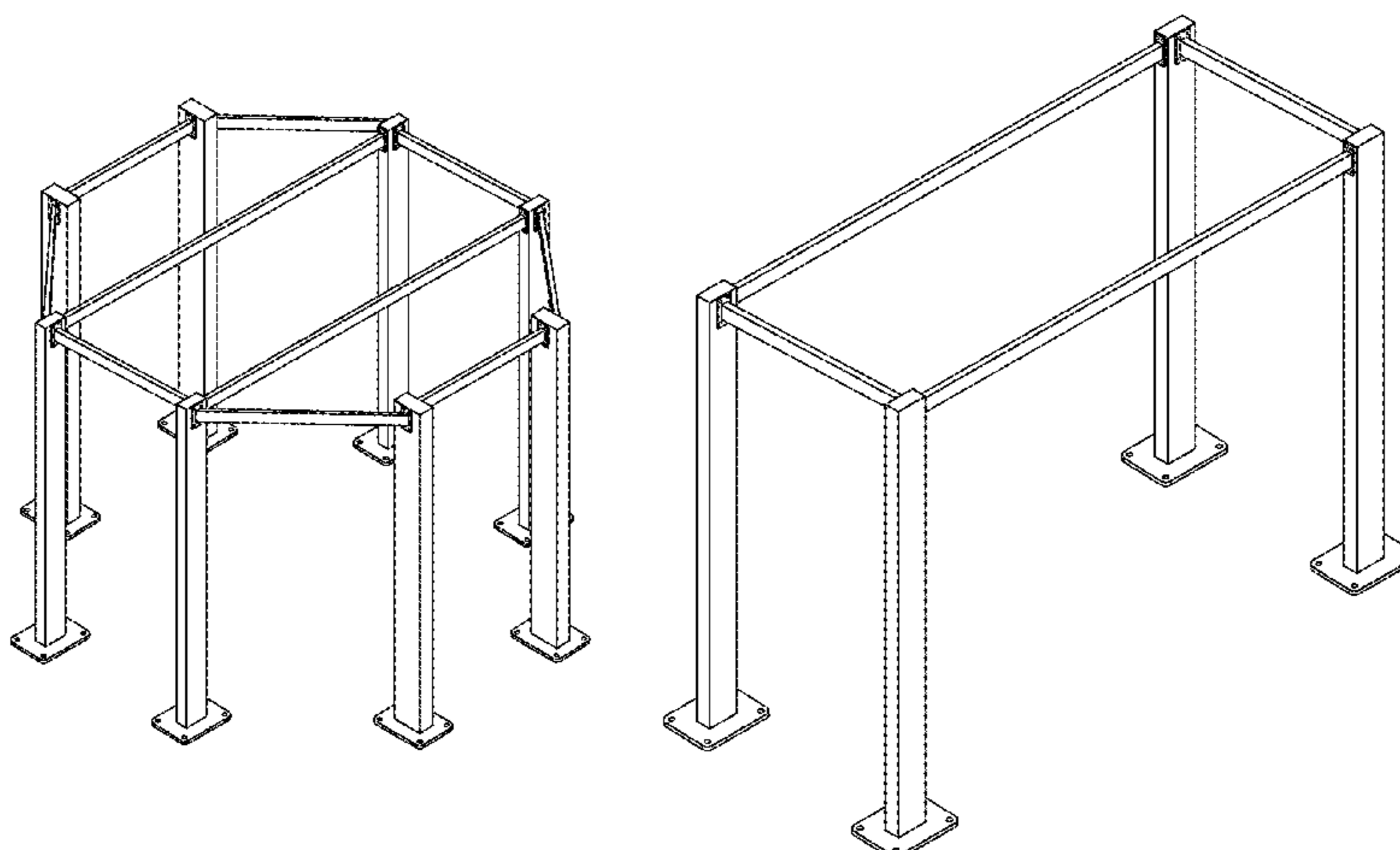


FIG. 14 is a side view showing the portion of the modular exercise frame of FIG. 13, separated only for better understanding of illustration, but is intended as a portion of the whole as shown in FIGS. 1-6;

FIG. 15 is another side view showing the portion of the modular exercise frame of FIG. 13, separated only for better understanding of illustration, but is intended as a portion of the whole as shown in FIGS. 1-6;

FIG. 16 is a top view showing the portion of the modular exercise frame of FIG. 13, separated only for better under-

standing of illustration, but is intended as a portion of the whole as shown in FIGS. 1-6; and,

FIG. 17 is a top perspective view showing the portion of the modular exercise frame of FIG. 13, separated only for better understanding of illustration, but is intended as a portion of the whole as shown in FIGS. 1-6.

**1 Claim, 9 Drawing Sheets**

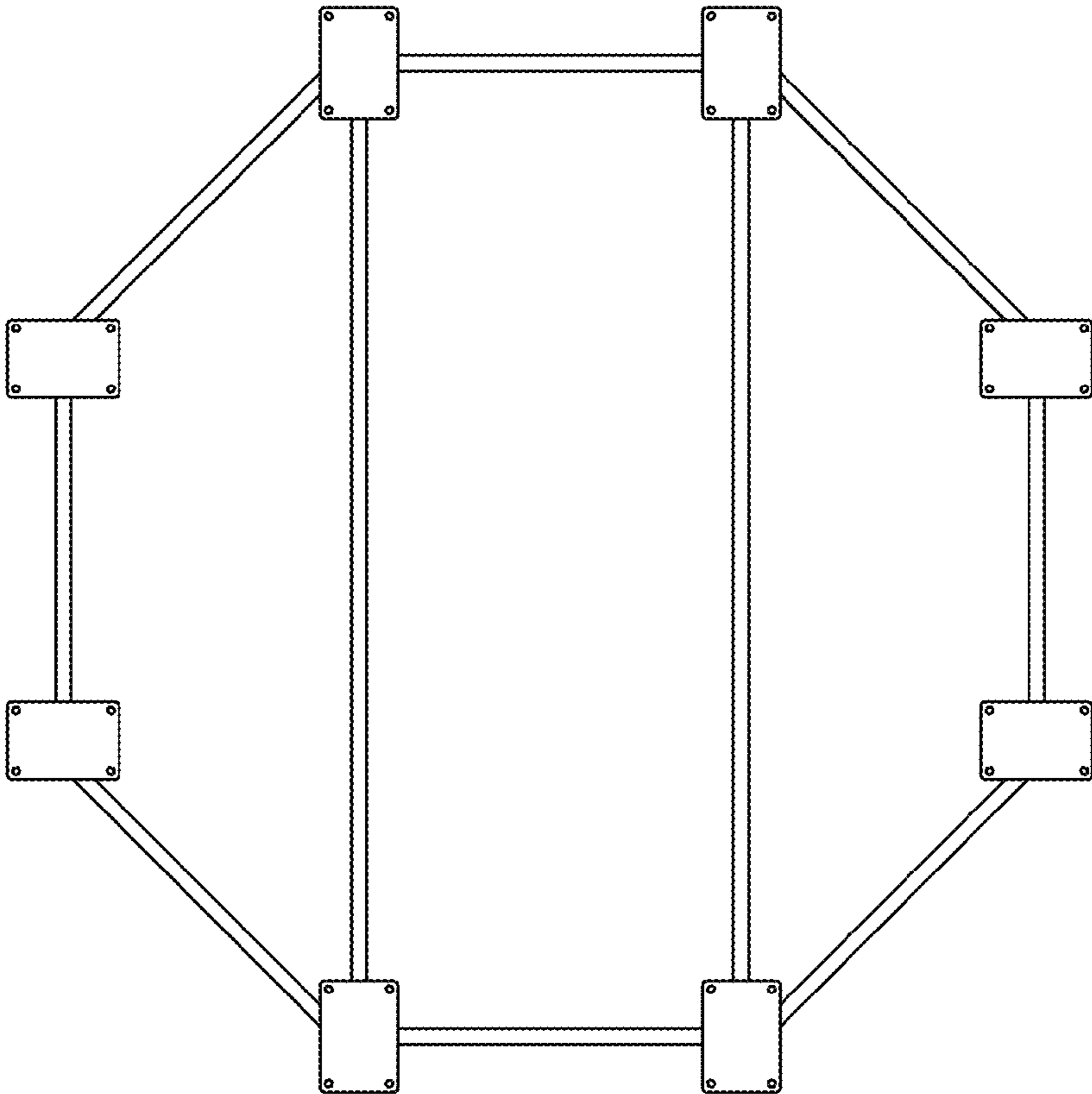


FIG. 1

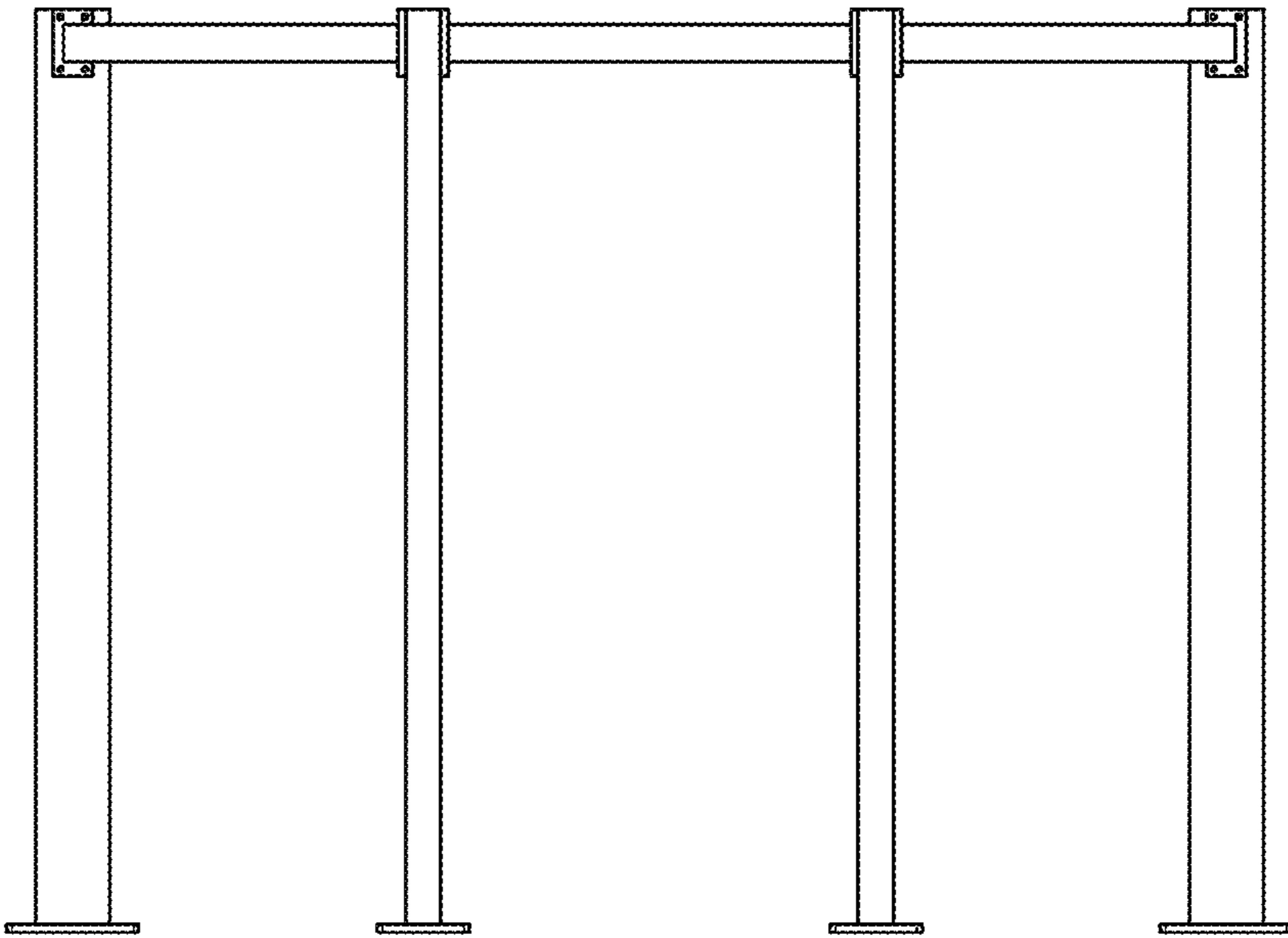


FIG. 2

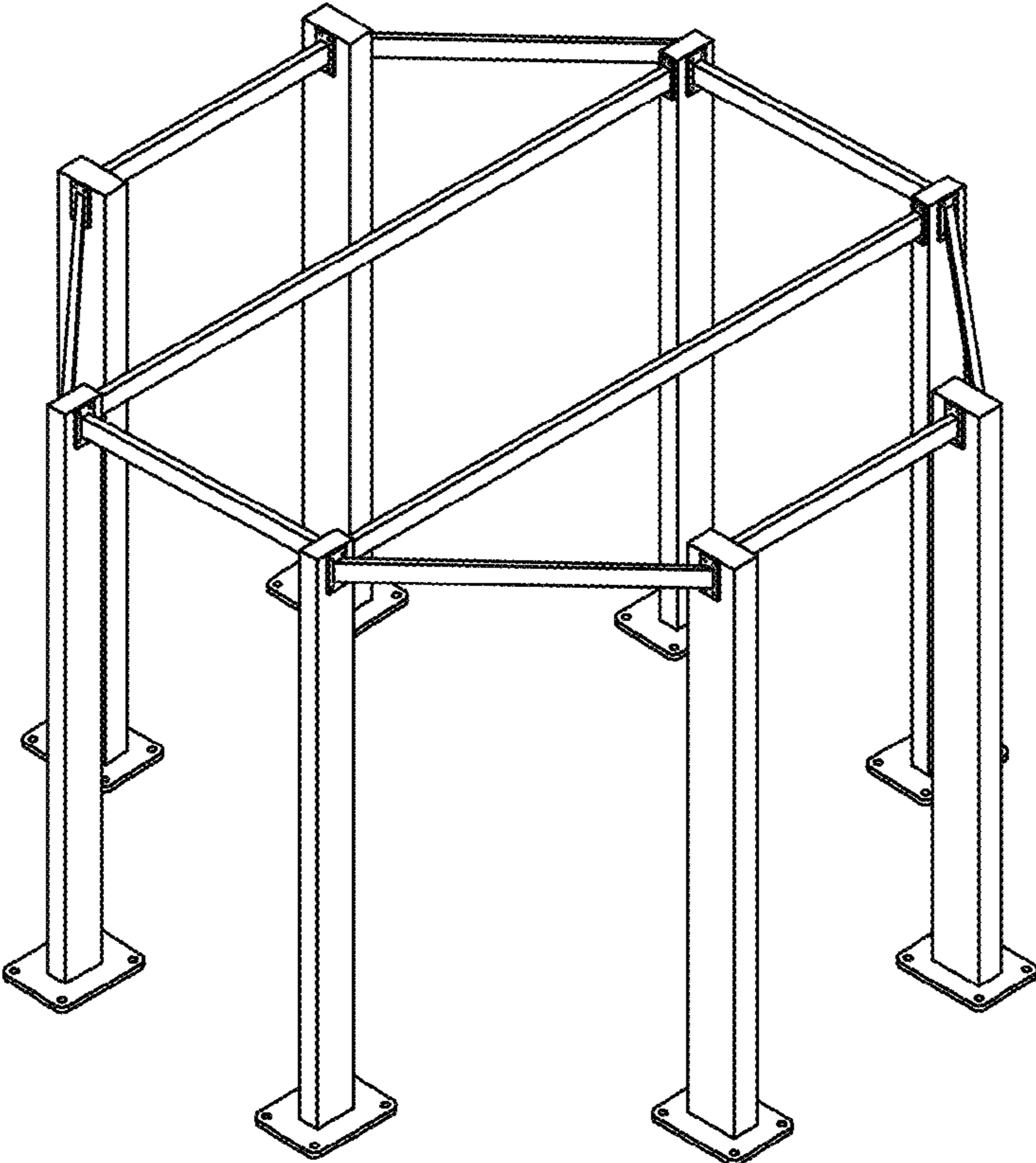


FIG. 3

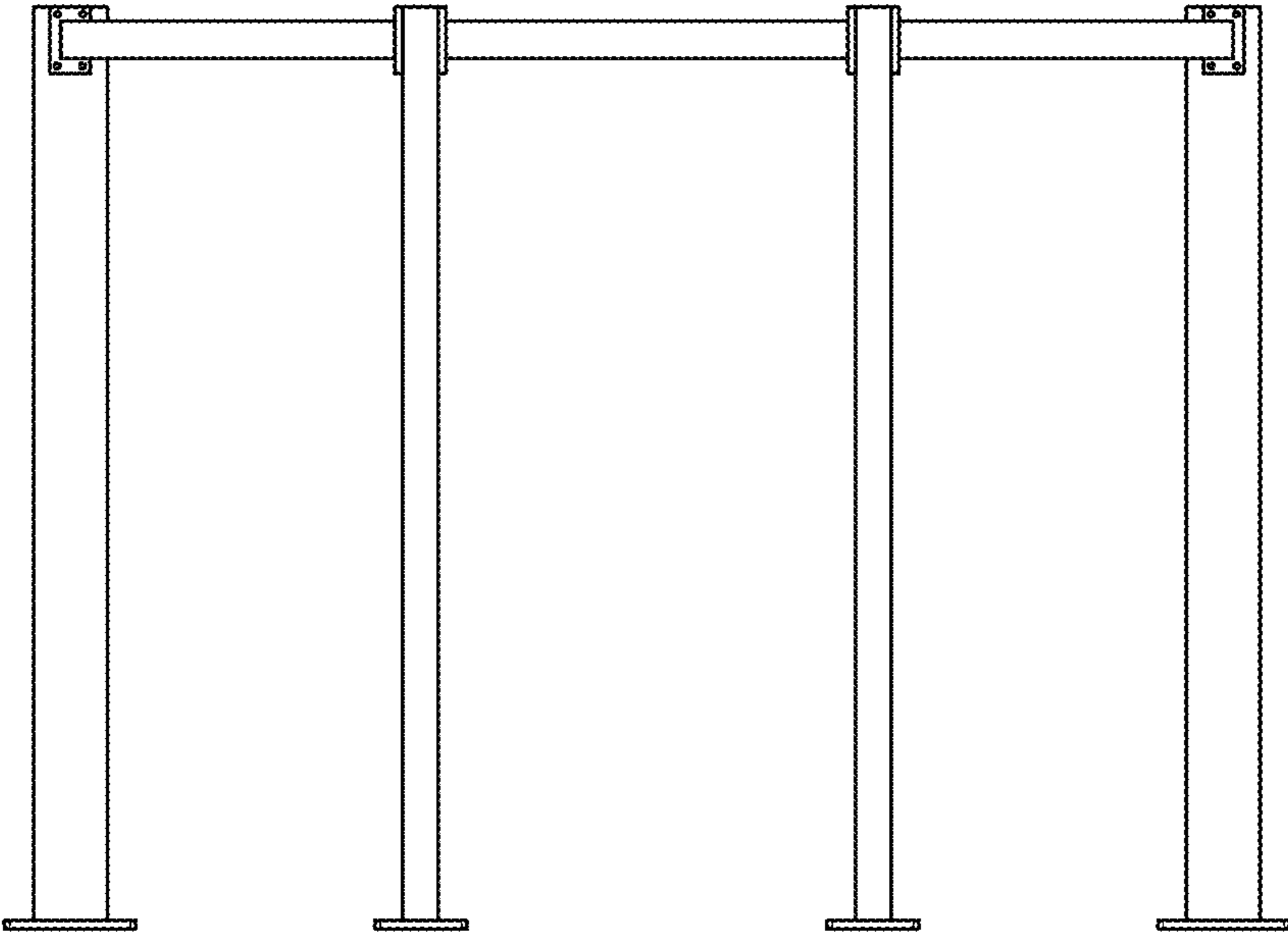


FIG. 4



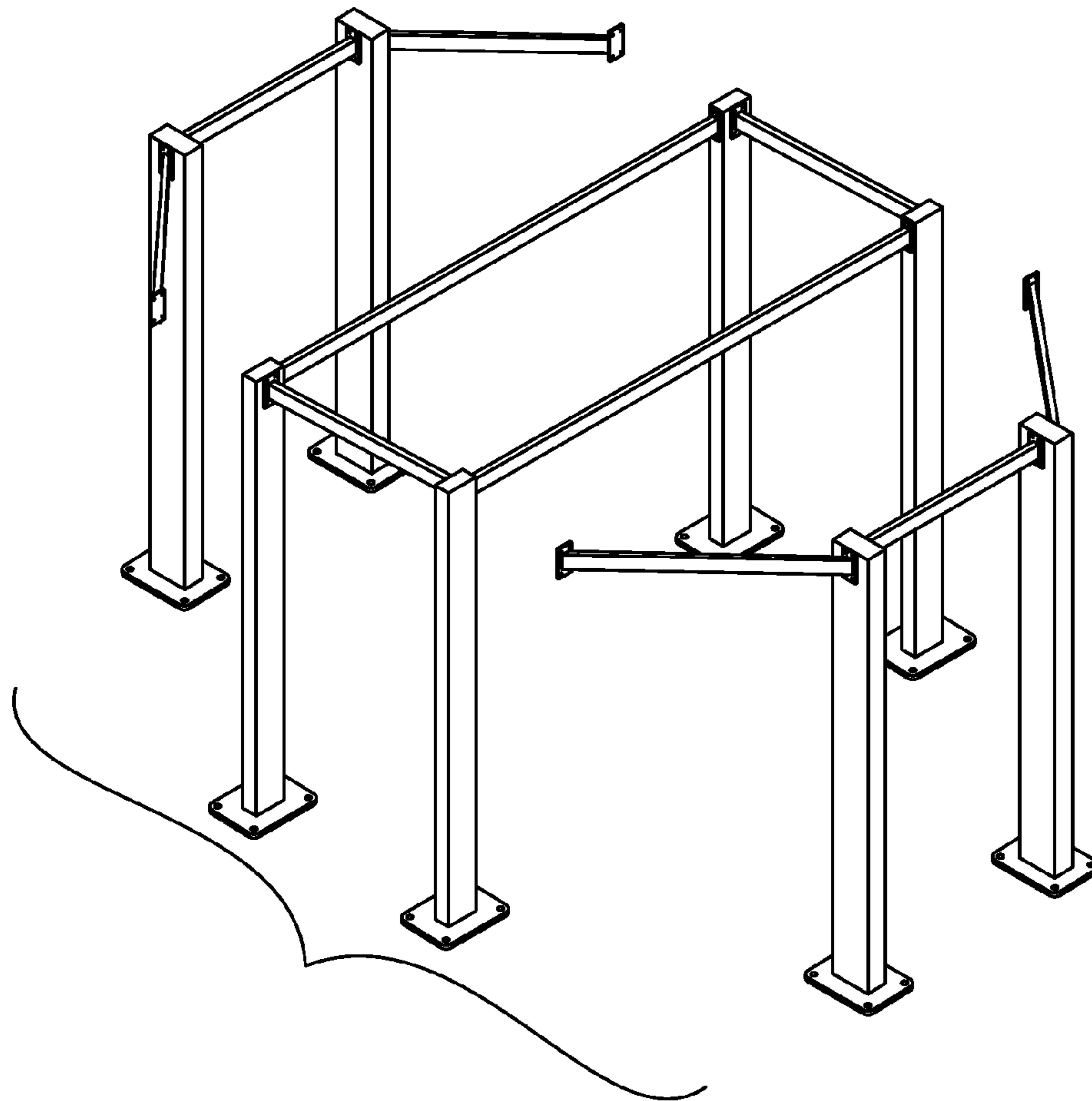


FIG. 5

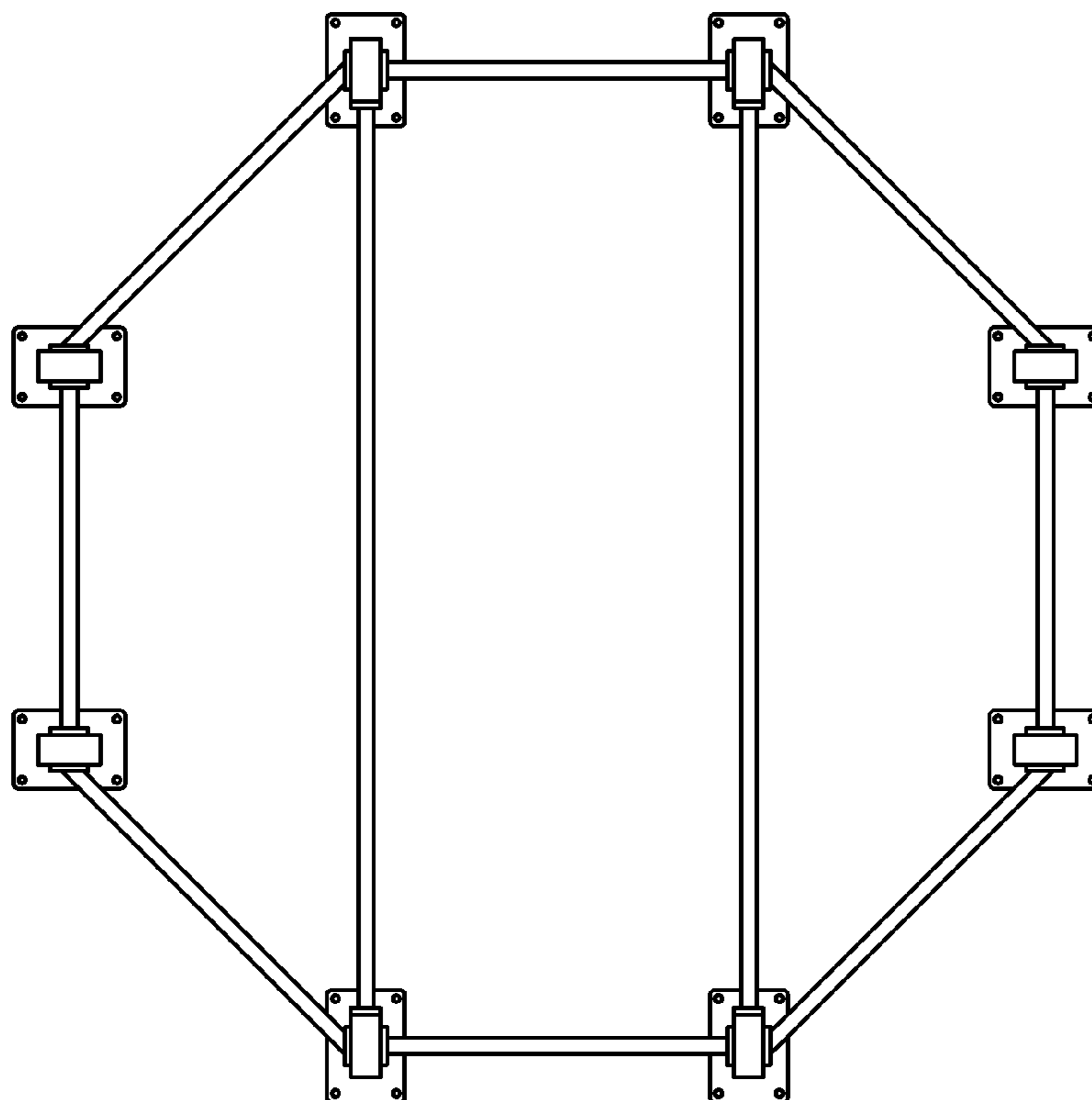


FIG. 6

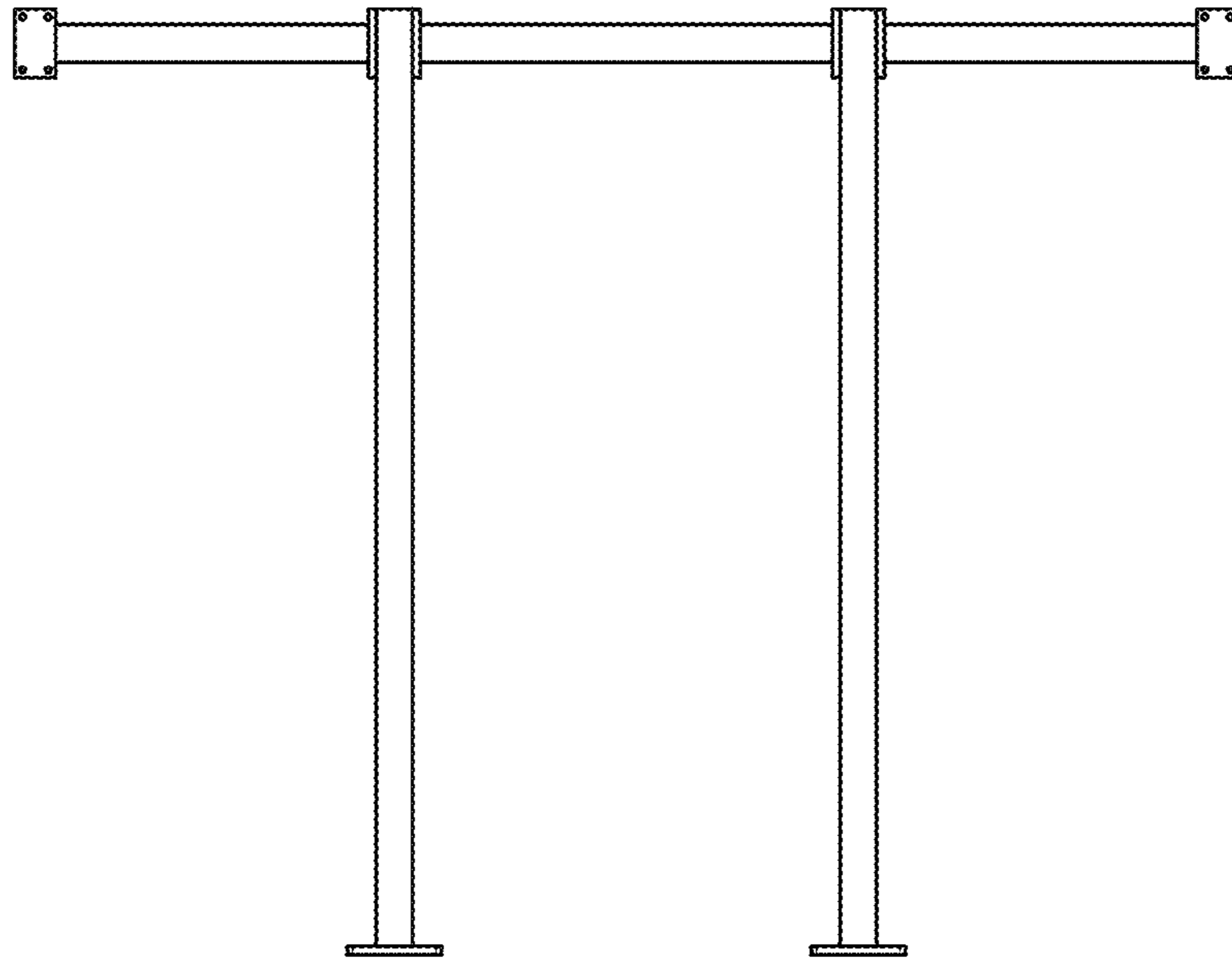


FIG. 7

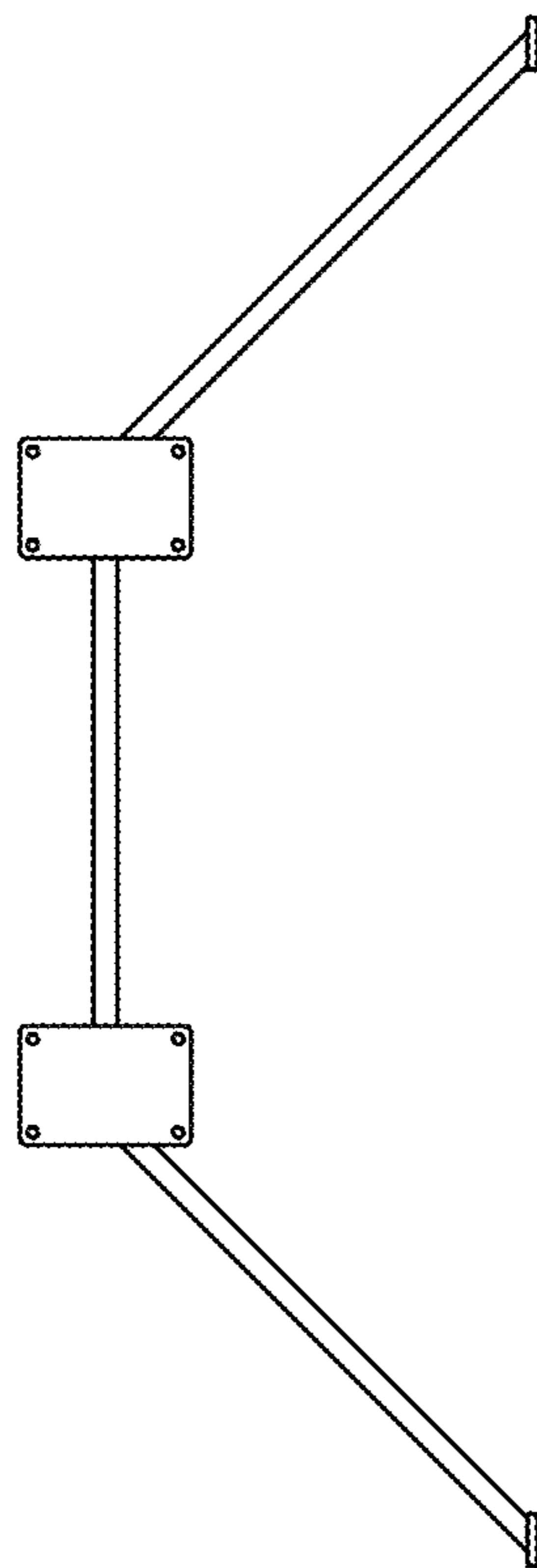


FIG. 8

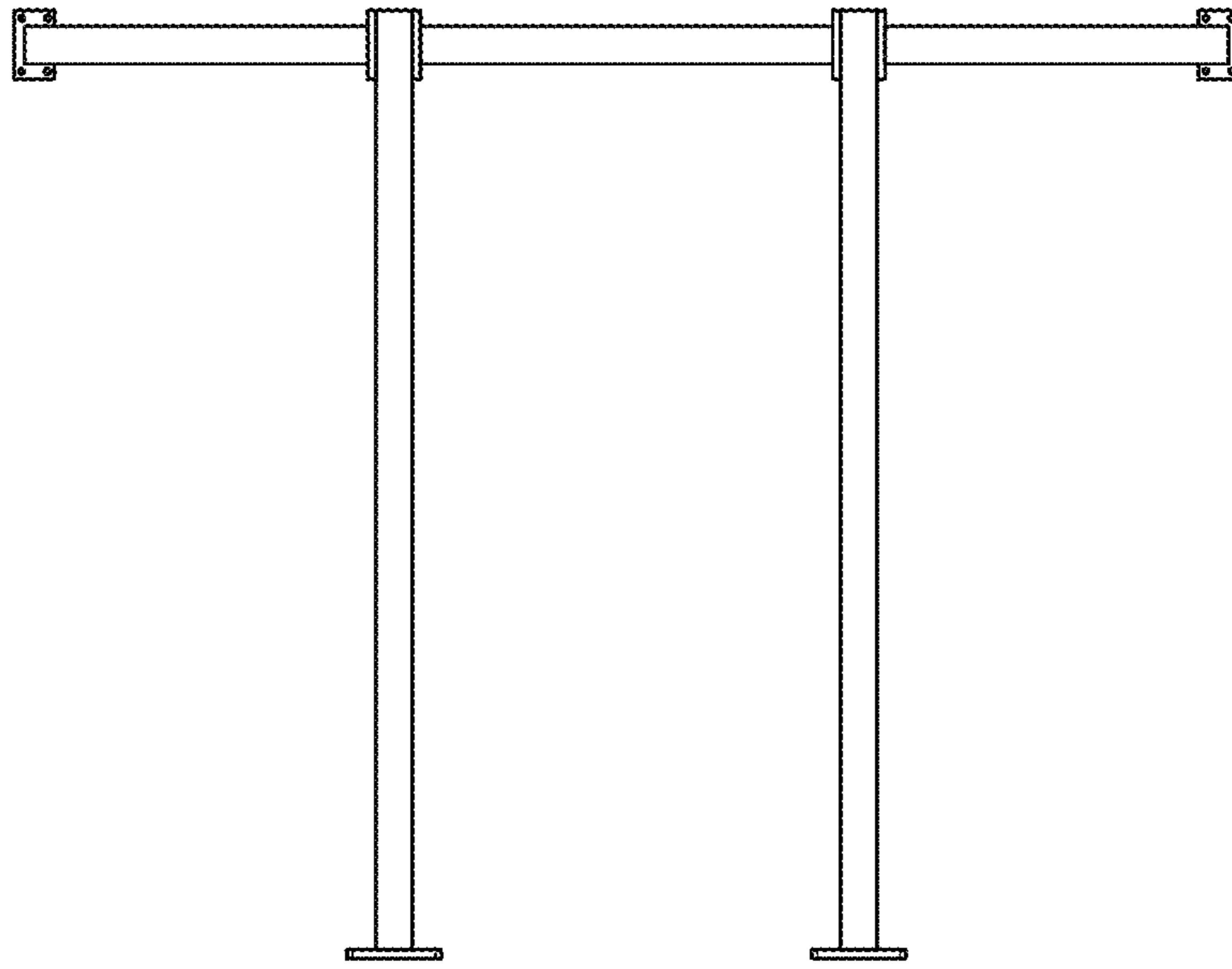


FIG. 9

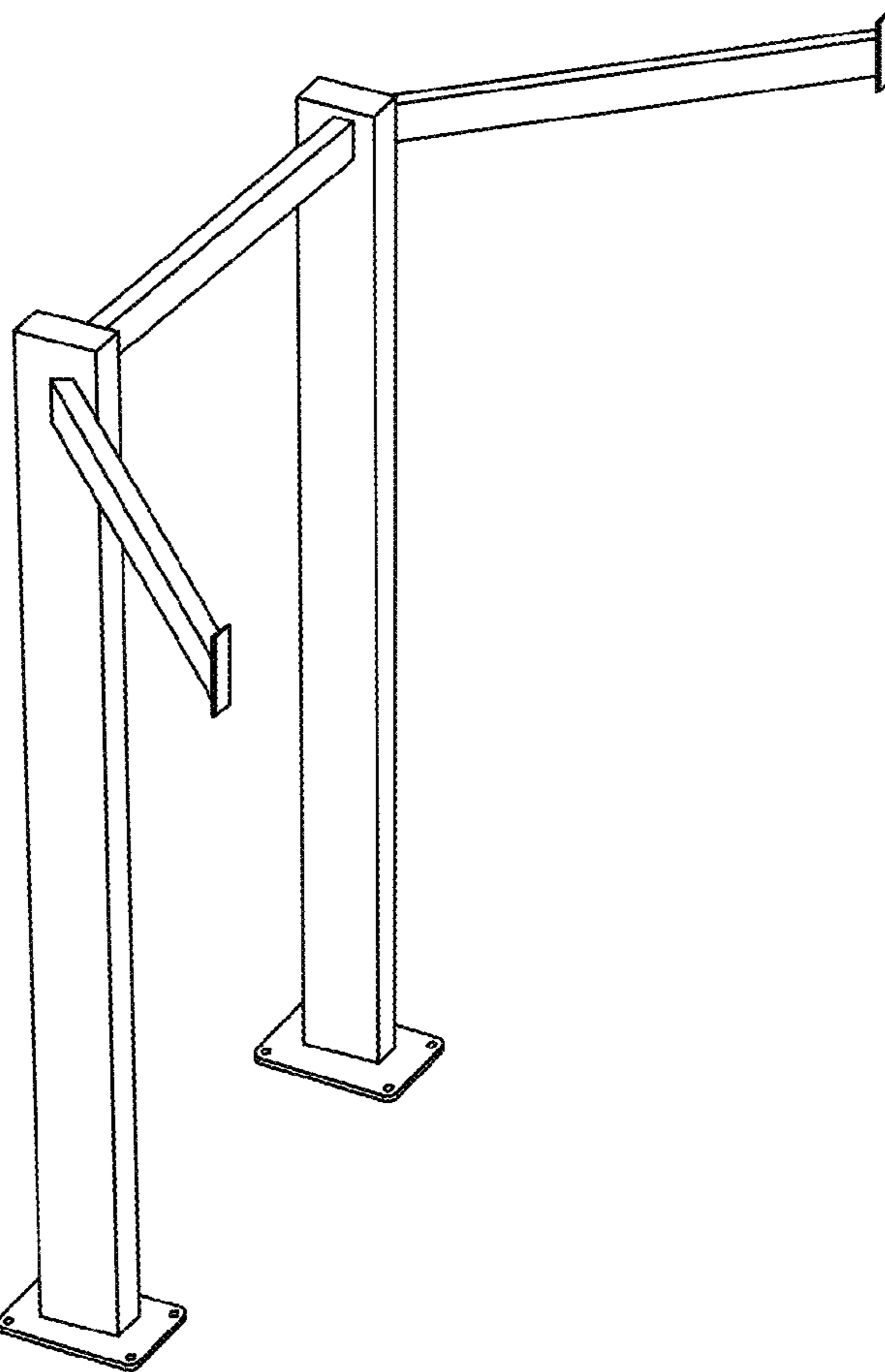


FIG. 10

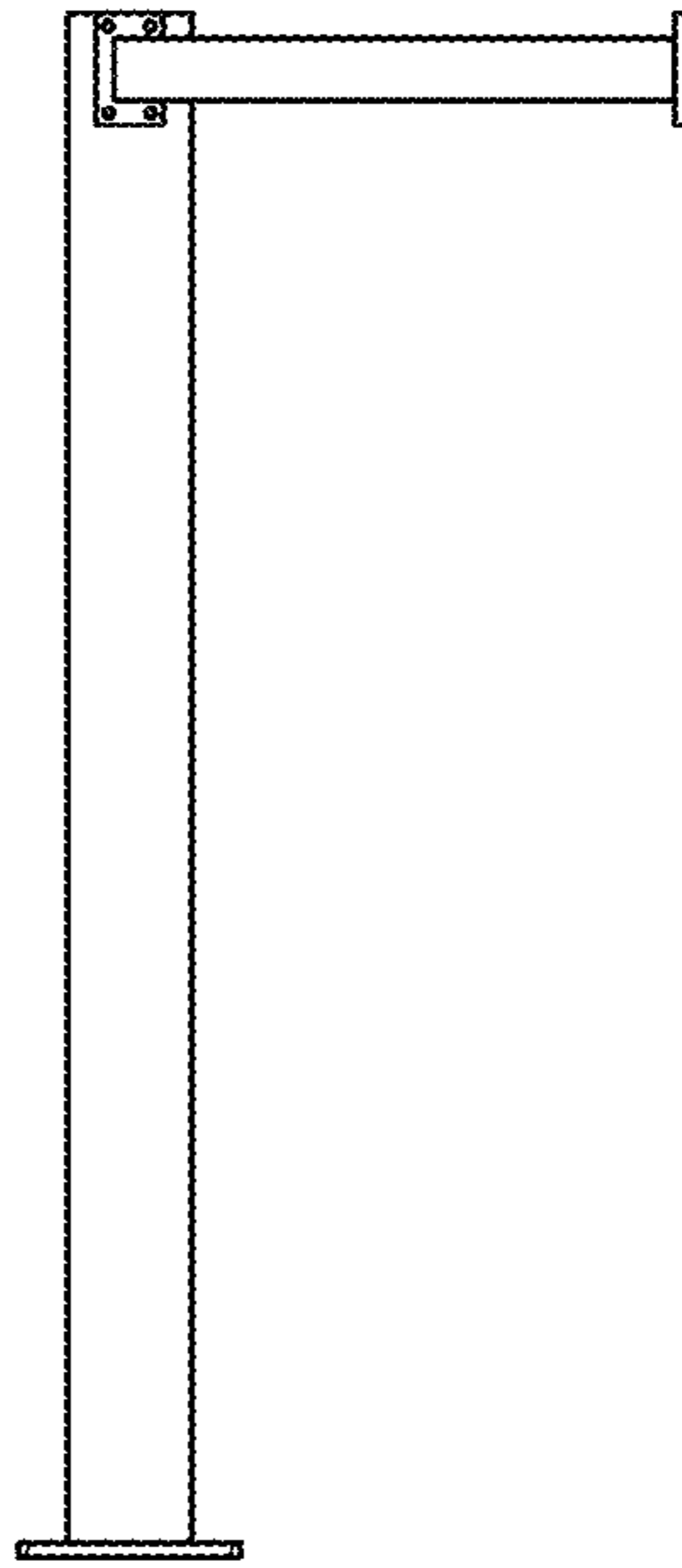


FIG. 11

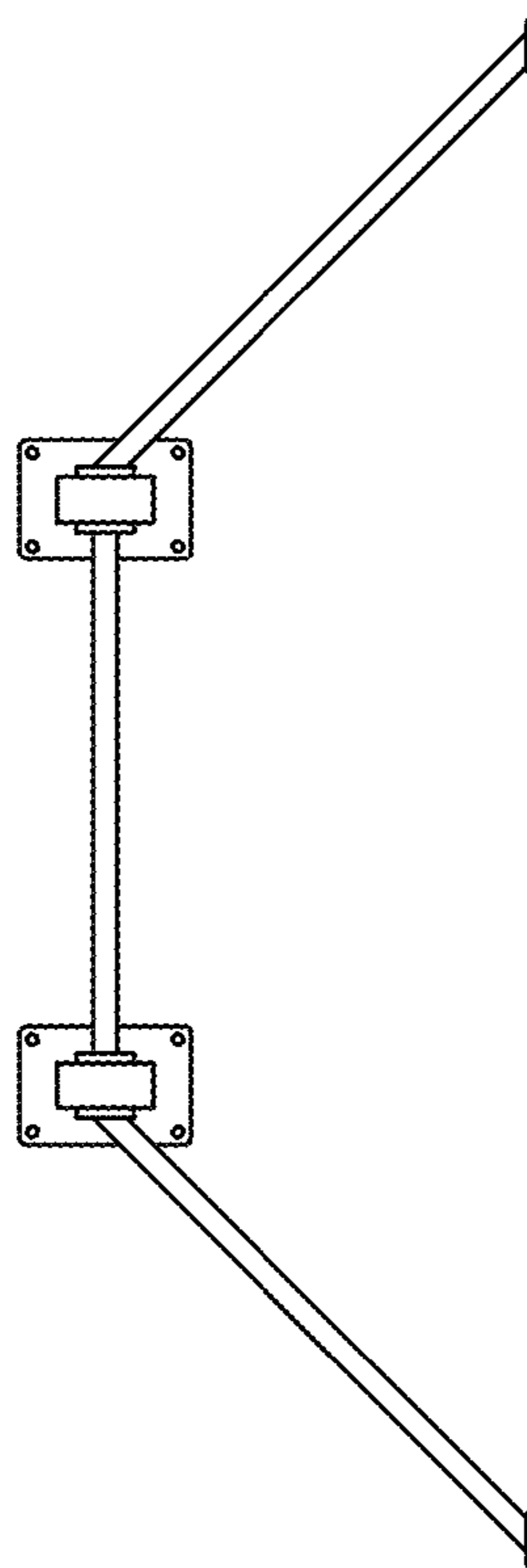


FIG. 12



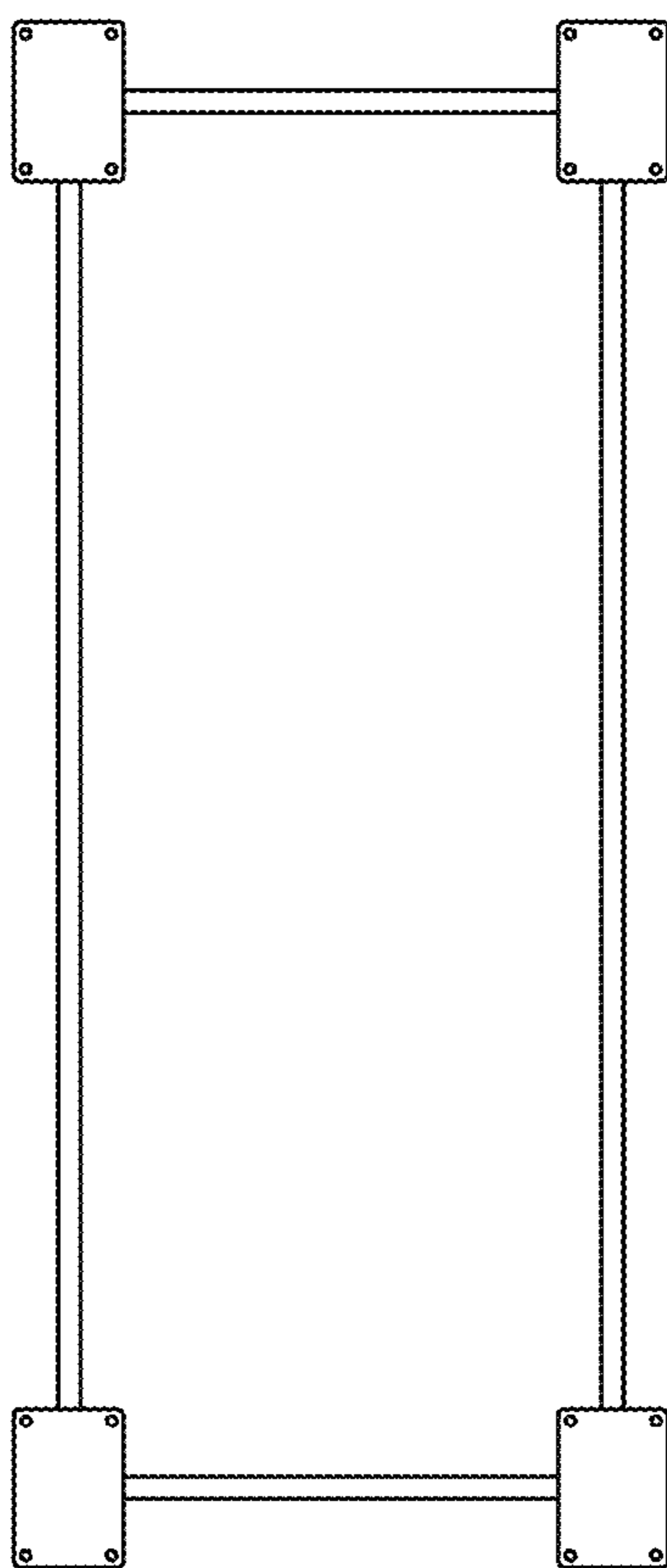


FIG. 13



FIG. 14

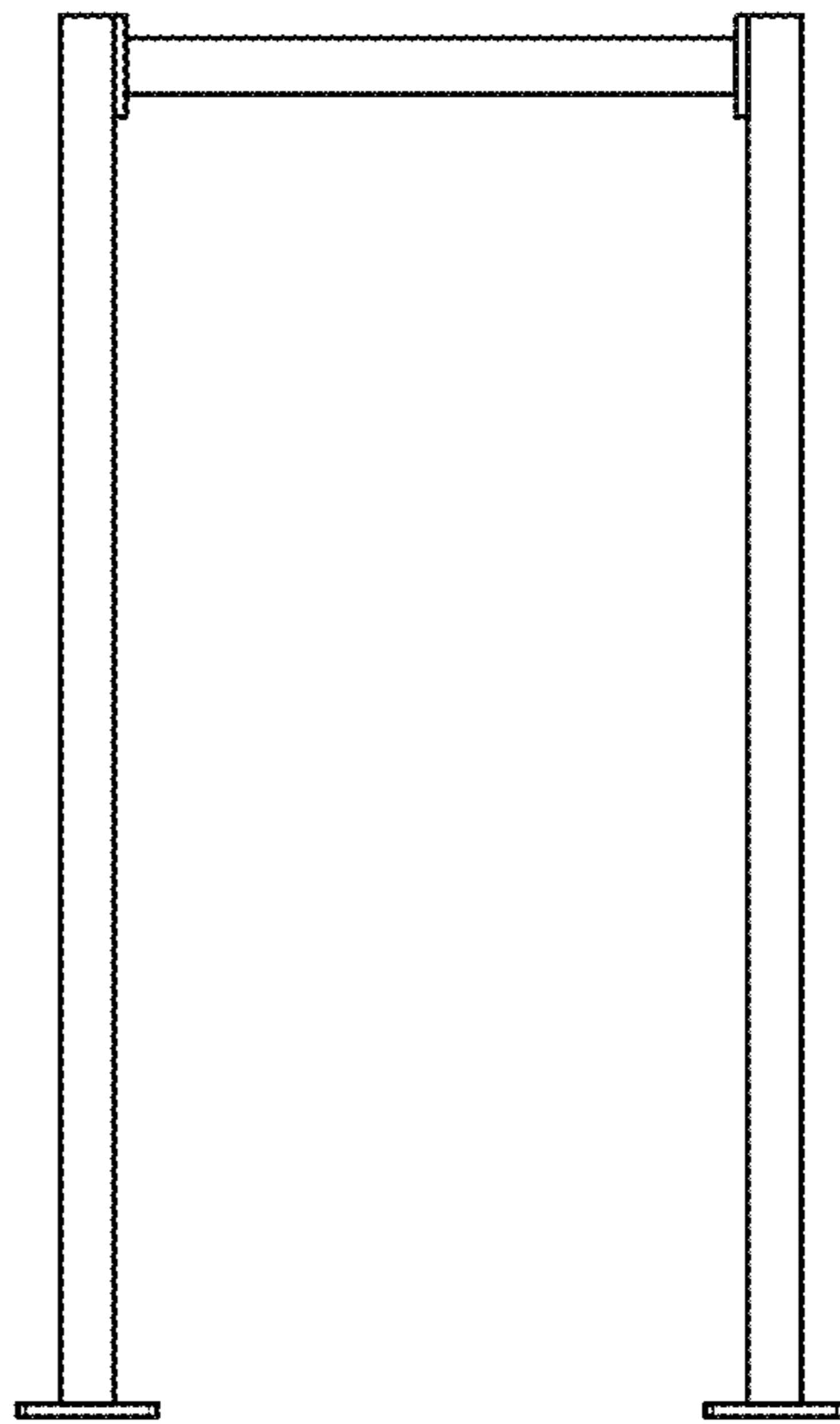


FIG. 15

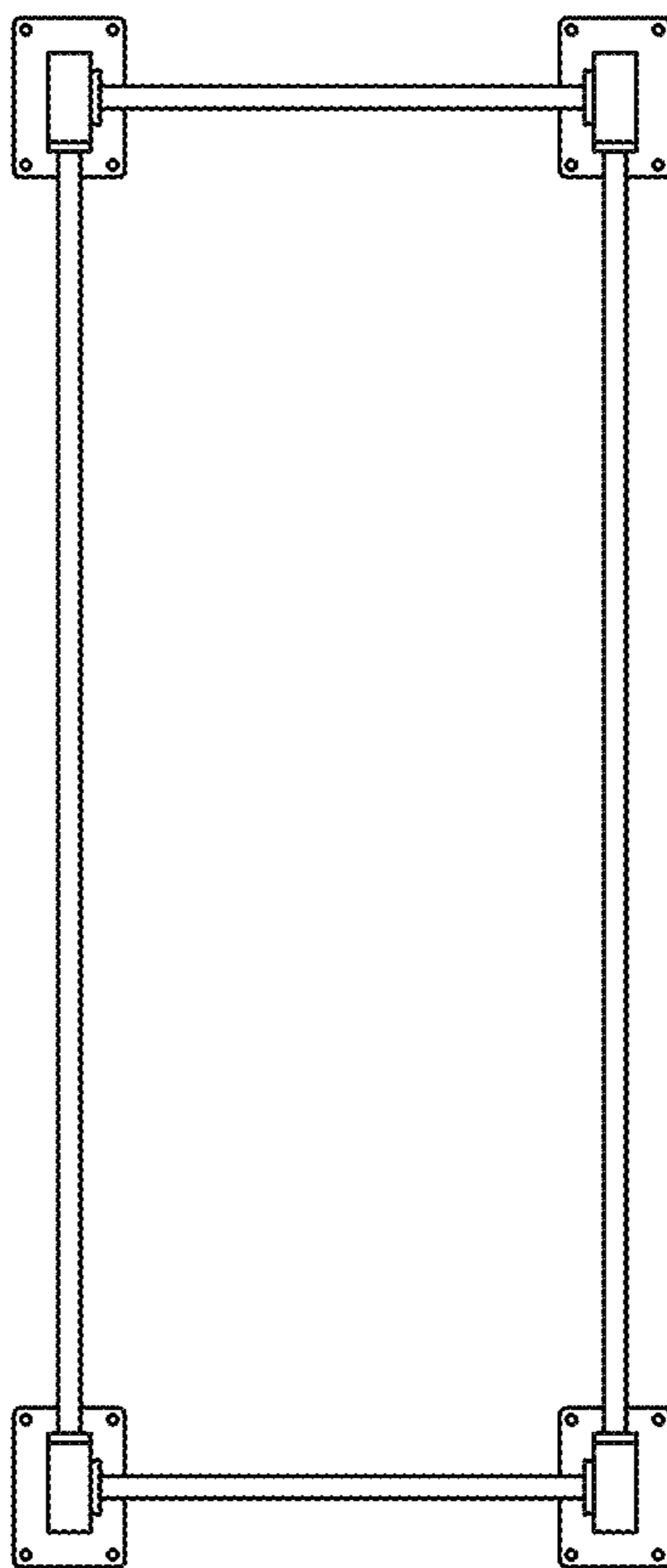


FIG. 16

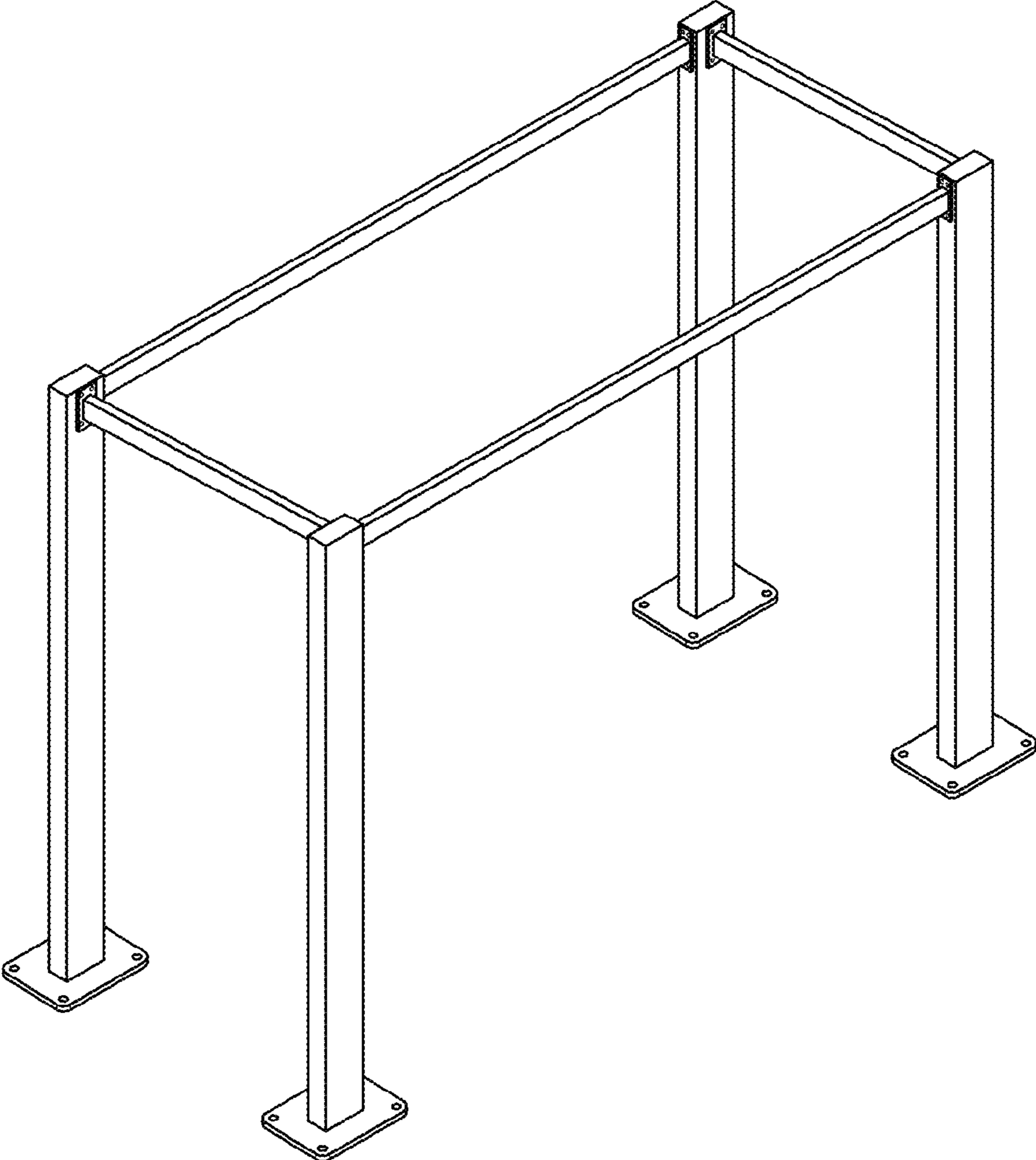


FIG. 17