



US00D697976S

(12) **United States Design Patent**
Kurmlavage

(10) **Patent No.:** **US D697,976 S**
(45) **Date of Patent:** **** Jan. 21, 2014**

- (54) **FOOD IDENTIFICATION DEVICE**
- (75) Inventor: **Michael M. Kurmlavage**, Lansdowne, PA (US)
- (73) Assignee: **Spirit Specialty Solutions, Inc.**, Broomall, PA (US)
- (**) Term: **14 Years**
- (21) Appl. No.: **29/412,215**
- (22) Filed: **Jan. 31, 2012**
- (51) **LOC (10) Cl.** **20-03**
- (52) **U.S. Cl.**
USPC **D20/43; D20/41**
- (58) **Field of Classification Search**
USPC D20/10, 19, 39, 43, 44, 99; 40/309, 40/606.01, 607.01, 611.06, 637, 642.02, 40/645, 649-651, 654, 654.01, 661, 40/661.01, 661.02, 661.09; D6/681.2; D7/683
See application file for complete search history.

| | | | | | |
|--------------|------|---------|----------------|-------|-----------|
| 2,053,124 | A * | 9/1936 | Banks | | 248/488 |
| 2,070,652 | A * | 2/1937 | Elmer | | 40/651 |
| 2,559,106 | A * | 7/1951 | Bishop et al. | | 40/606.14 |
| 2,595,530 | A * | 5/1952 | Kuefner | | 40/645 |
| D267,679 | S * | 1/1983 | Barney | | D6/417 |
| D324,462 | S * | 3/1992 | Karnaze | | D6/419 |
| 7,617,627 | B1 * | 11/2009 | Waidelich | | 40/607.1 |
| D667,889 | S * | 9/2012 | Kurmlavage | | D20/43 |
| 2011/0146124 | A1 * | 6/2011 | Carlson et al. | | 40/645 |
| 2011/0203150 | A1 * | 8/2011 | Buncher | | 40/649 |

* cited by examiner

Primary Examiner — Mary Ann Calabrese
(74) *Attorney, Agent, or Firm* — Robert B. Famiglio; Famiglio & Associates

(57) **CLAIM**
I claim the ornamental design for a food identification device, as shown and described.

DESCRIPTION

FIG. 1 is a front perspective view of a food identification device showing my new design;
FIG. 2 is a rear perspective view thereof;
FIG. 3 is another front perspective view thereof;
FIG. 4 is a left side elevation view thereof.
FIG. 5 is a bottom plan view thereof; and
FIG. 6 is a rear elevation view thereof;
FIG. 7 is a top plan view thereof; and,
FIG. 8 is front elevation view thereof.

1 Claim, 3 Drawing Sheets

- (56) **References Cited**
U.S. PATENT DOCUMENTS
474,079 A * 5/1892 Brown 40/309
641,522 A * 1/1900 Leger 40/651
1,822,787 A * 9/1931 Slawson 40/645

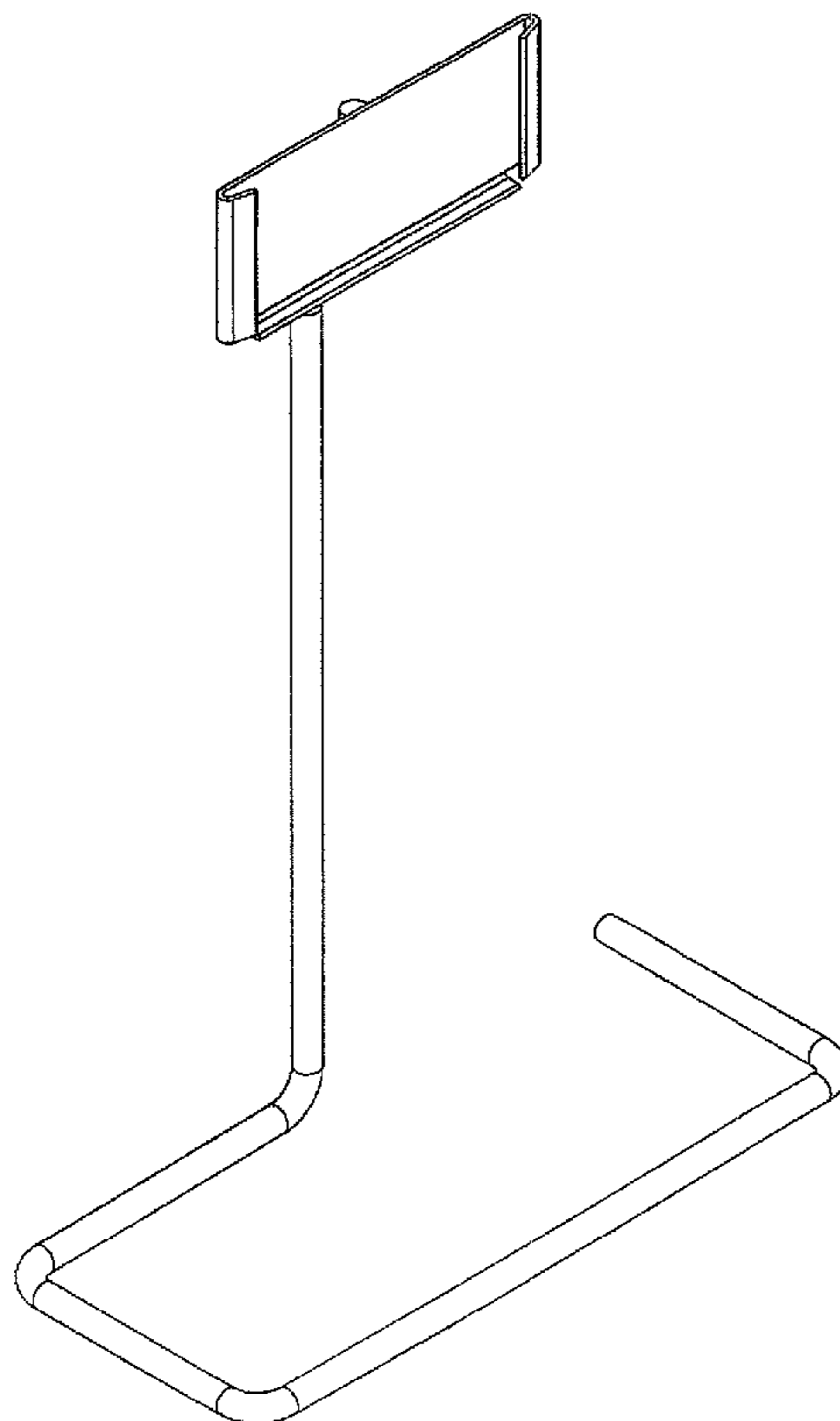
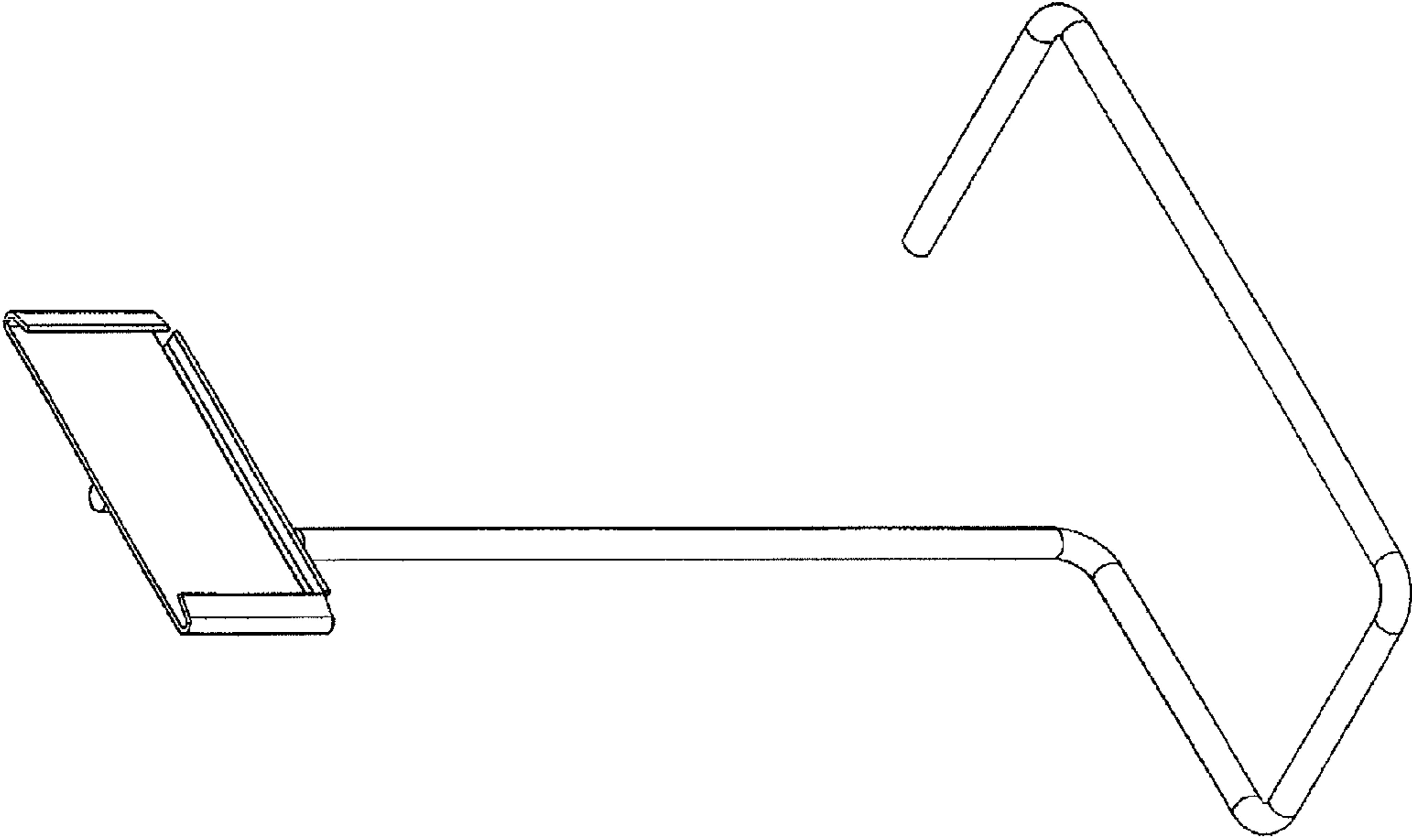


Fig. 1



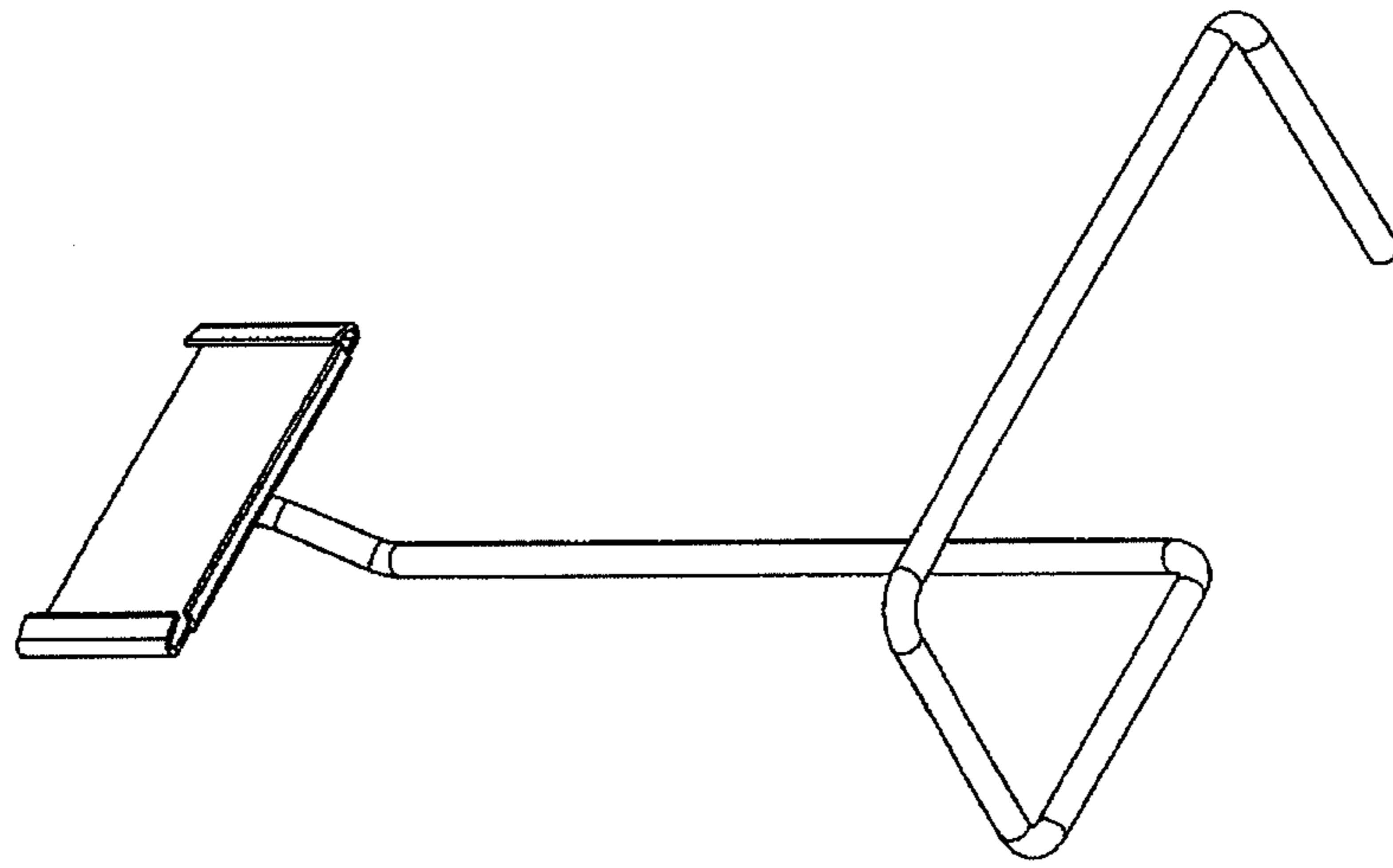


Fig. 3

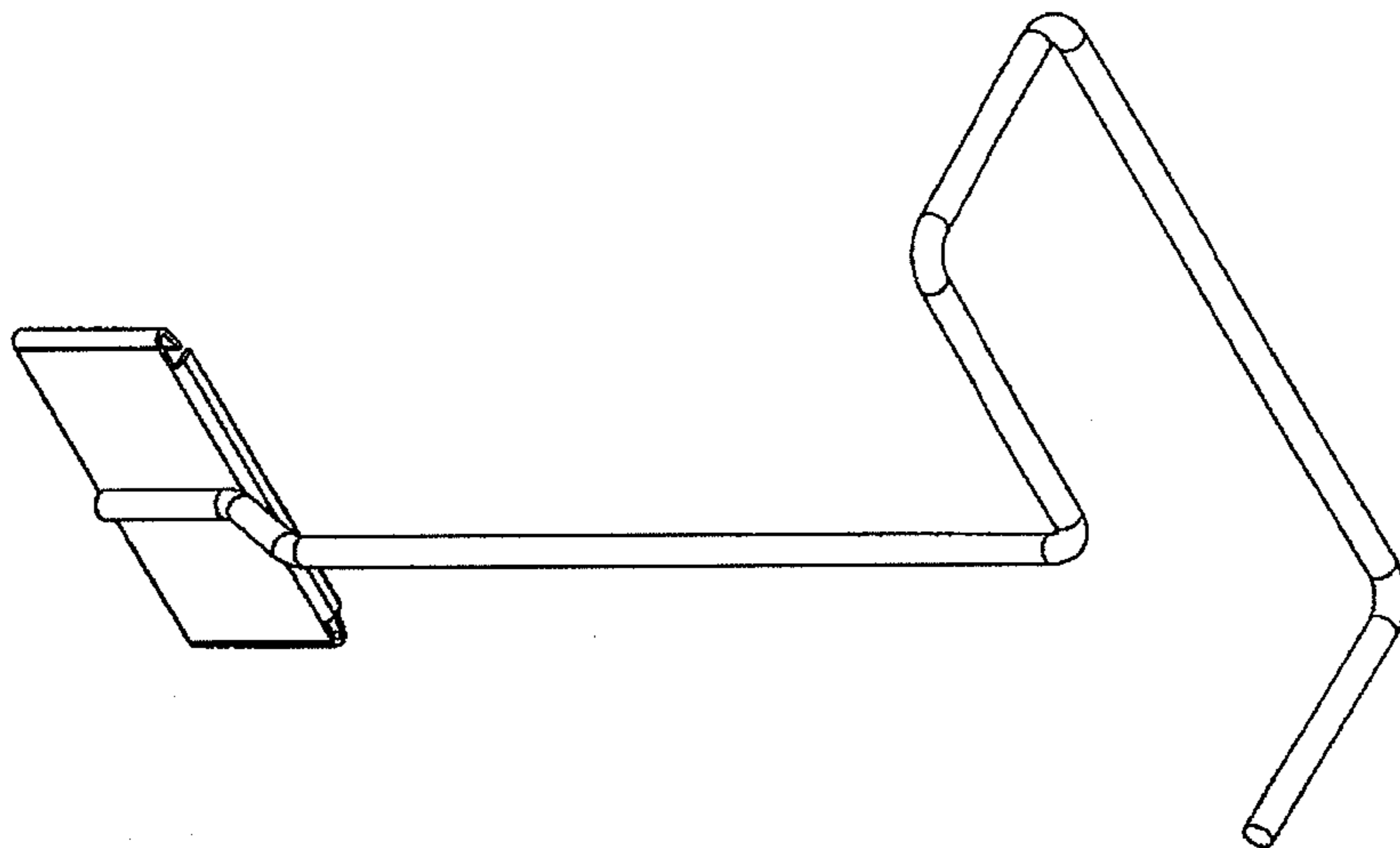


Fig. 2

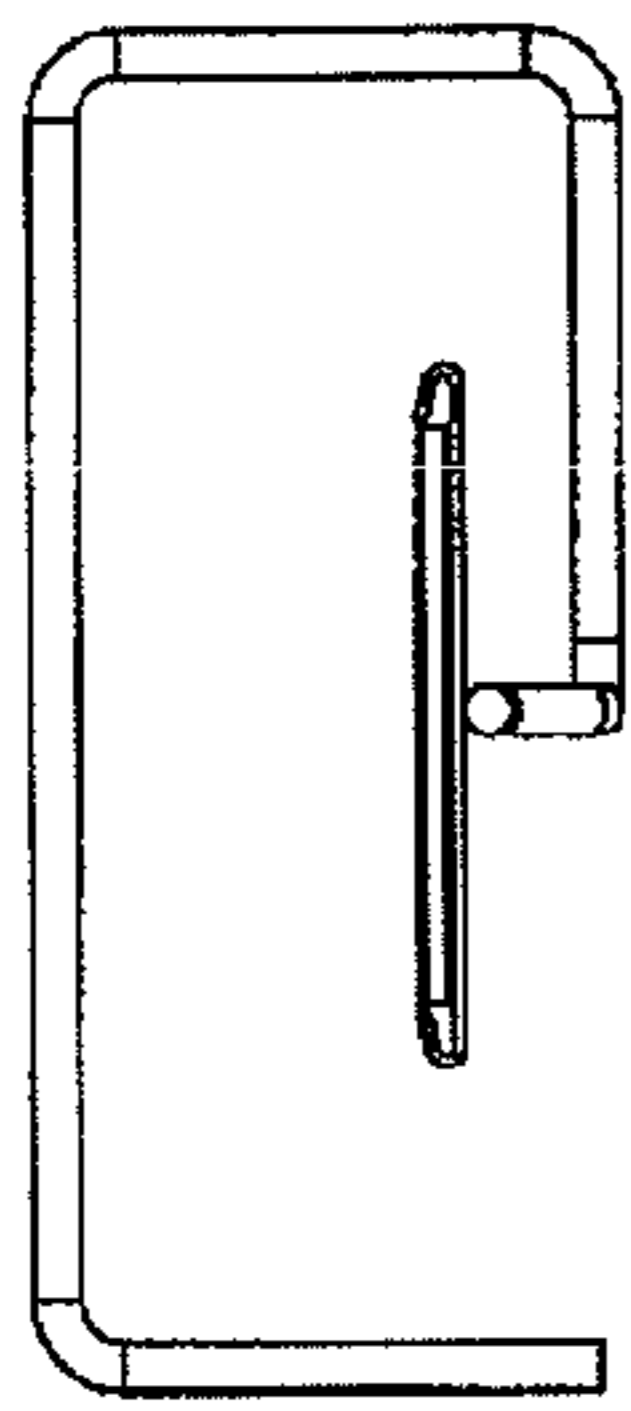


Fig. 7

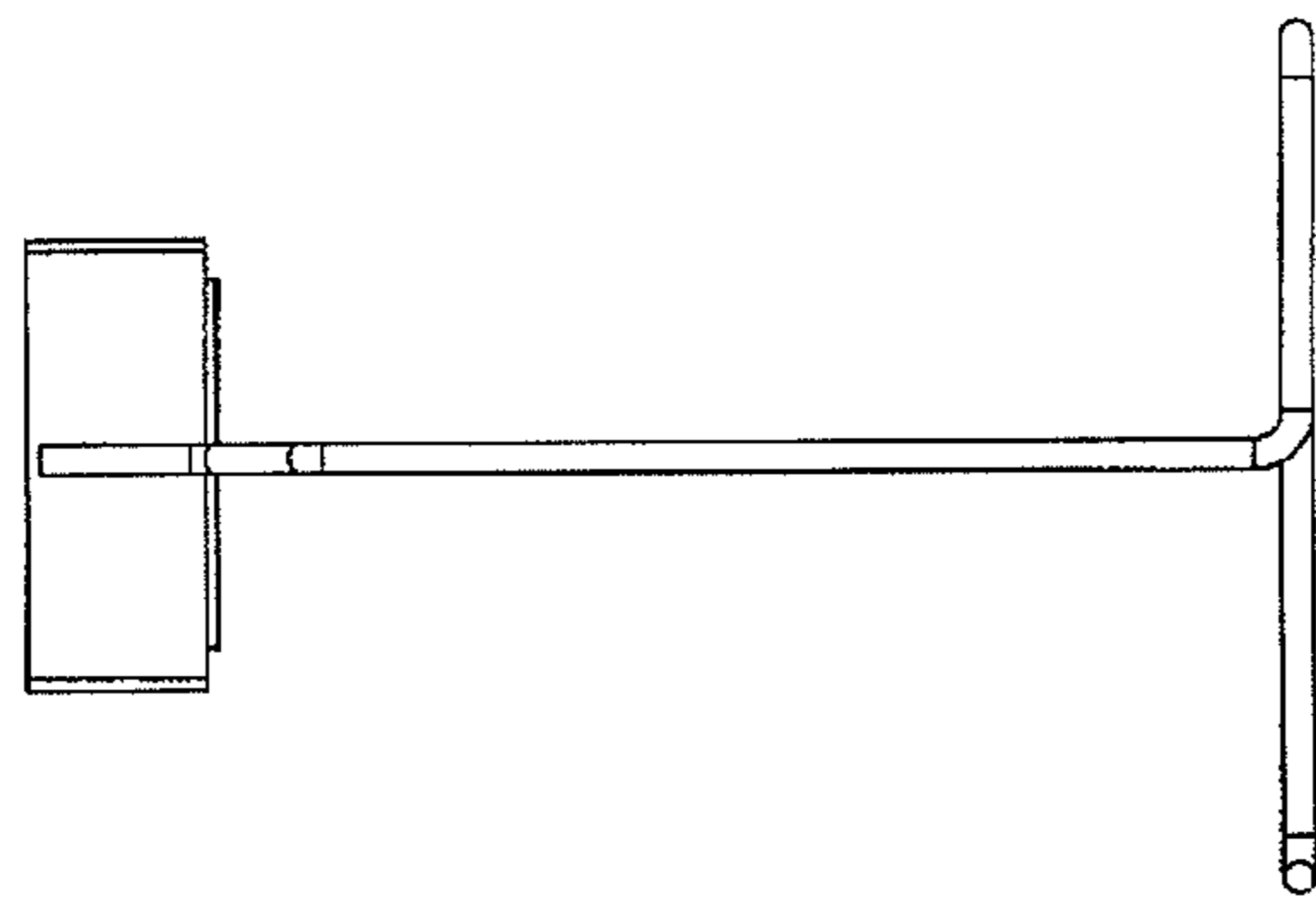


Fig. 6

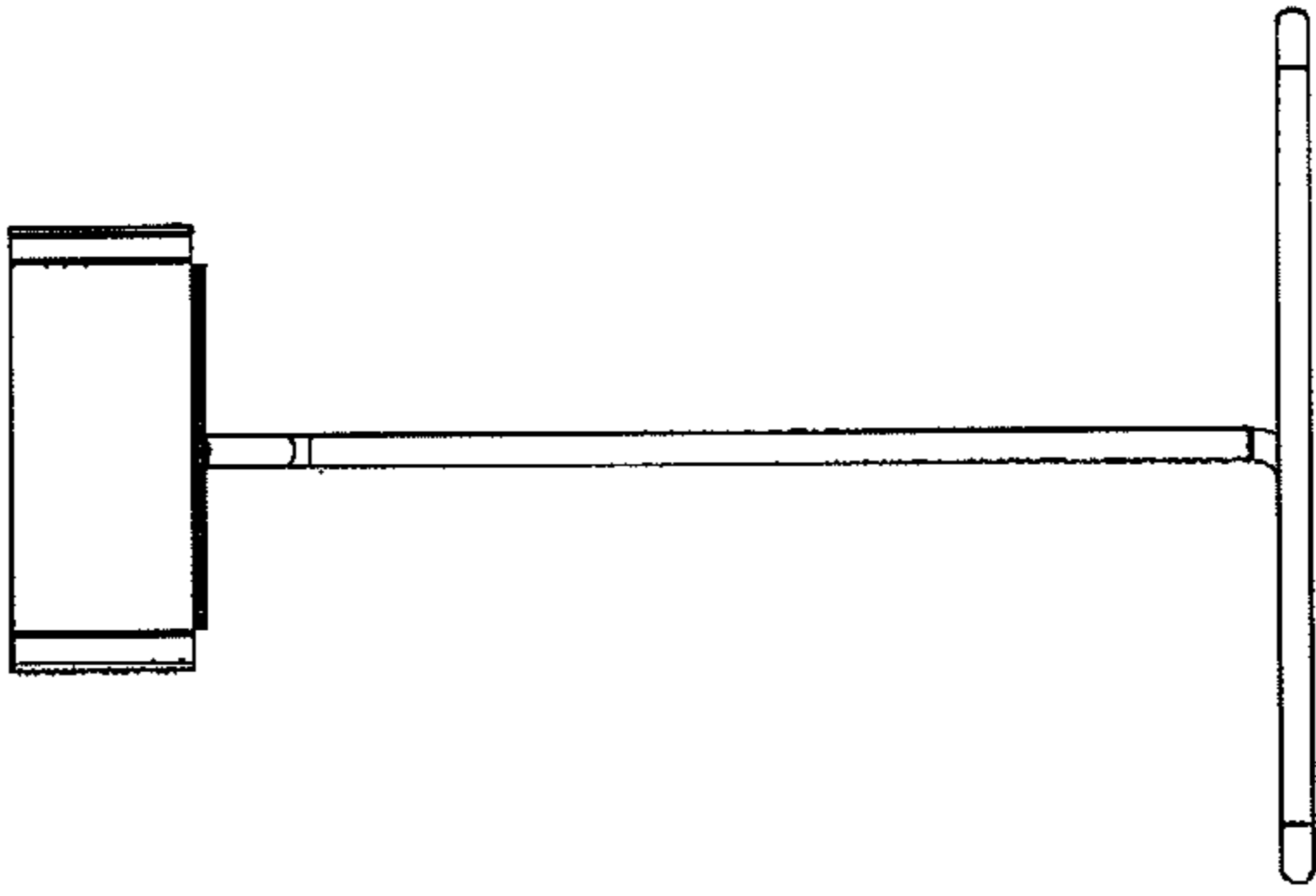


Fig. 8



Fig. 4

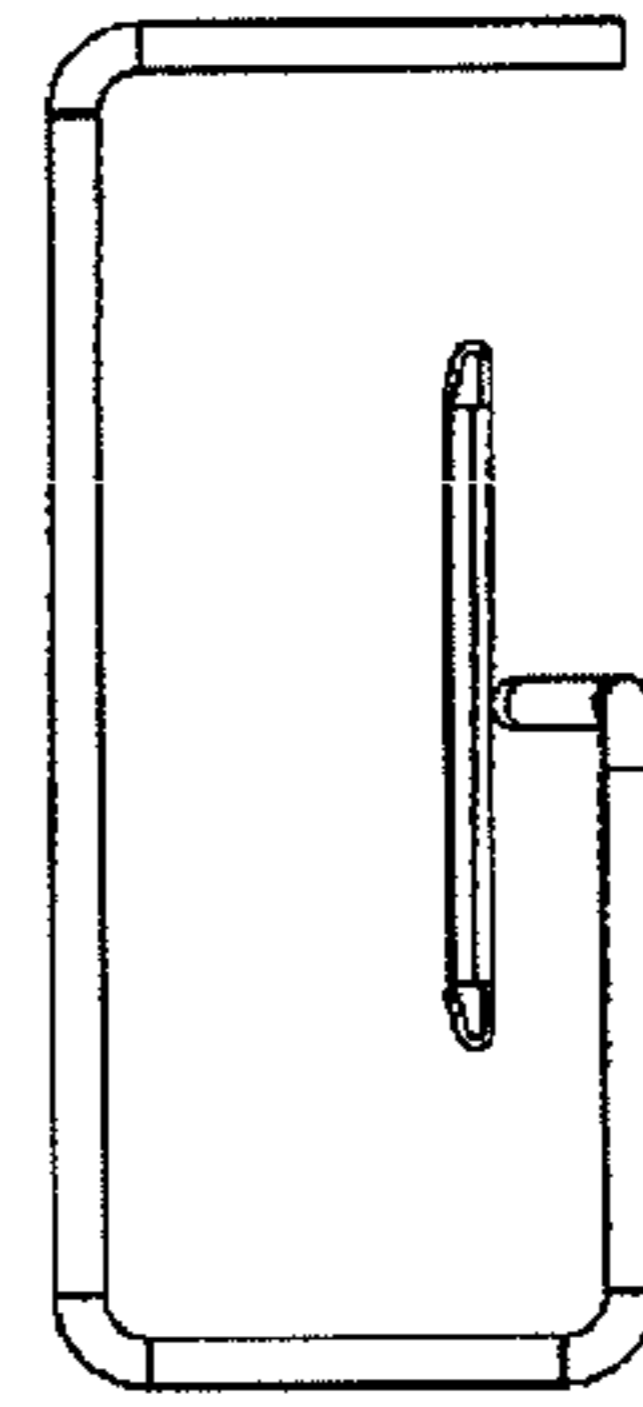


Fig. 5