



US00D697975S

(12) **United States Design Patent**  
**Yu**

(10) **Patent No.:** **US D697,975 S**  
(45) **Date of Patent:** **\*\* Jan. 21, 2014**

- (54) **ILLUMINATED EXIT SIGN**
- (71) Applicant: **Astralite, Inc.**, Brookfield, CT (US)
- (72) Inventor: **Robert Yu**, Brookfield, CT (US)
- (73) Assignee: **Astralite, Inc.**, Brookfield, CT (US)
- (\*\*) Term: **14 Years**
- (21) Appl. No.: **29/439,347**
- (22) Filed: **Dec. 10, 2012**
- (51) **LOC (10) Cl.** ..... **20-03**
- (52) **U.S. Cl.**  
USPC ..... **D20/42; D20/19**
- (58) **Field of Classification Search**  
USPC ..... D20/10, 12, 17-19, 39-42, 99; 40/368,  
40/446-448, 453, 489, 538-542, 559, 564,  
40/568, 570, 572, 584, 585, 600, 605,  
40/606.03, 606.18, 617; D10/109.1,  
D10/109.2, 113.4; 362/97.4, 614, 812  
See application file for complete search history.

8,348,447 B2 *	1/2013	Mirica et al.	362/97.4
D679,759 S *	4/2013	Brunelli et al.	D20/42
2006/0225328 A1 *	10/2006	Hasan	40/570
2010/0107462 A1 *	5/2010	Lee	40/546
2011/0023339 A1 *	2/2011	Mirica et al.	40/564

\* cited by examiner

*Primary Examiner* — Mary Ann Calabrese  
(74) *Attorney, Agent, or Firm* — Fattibene and Fattibene LLC; Paul A. Fattibene

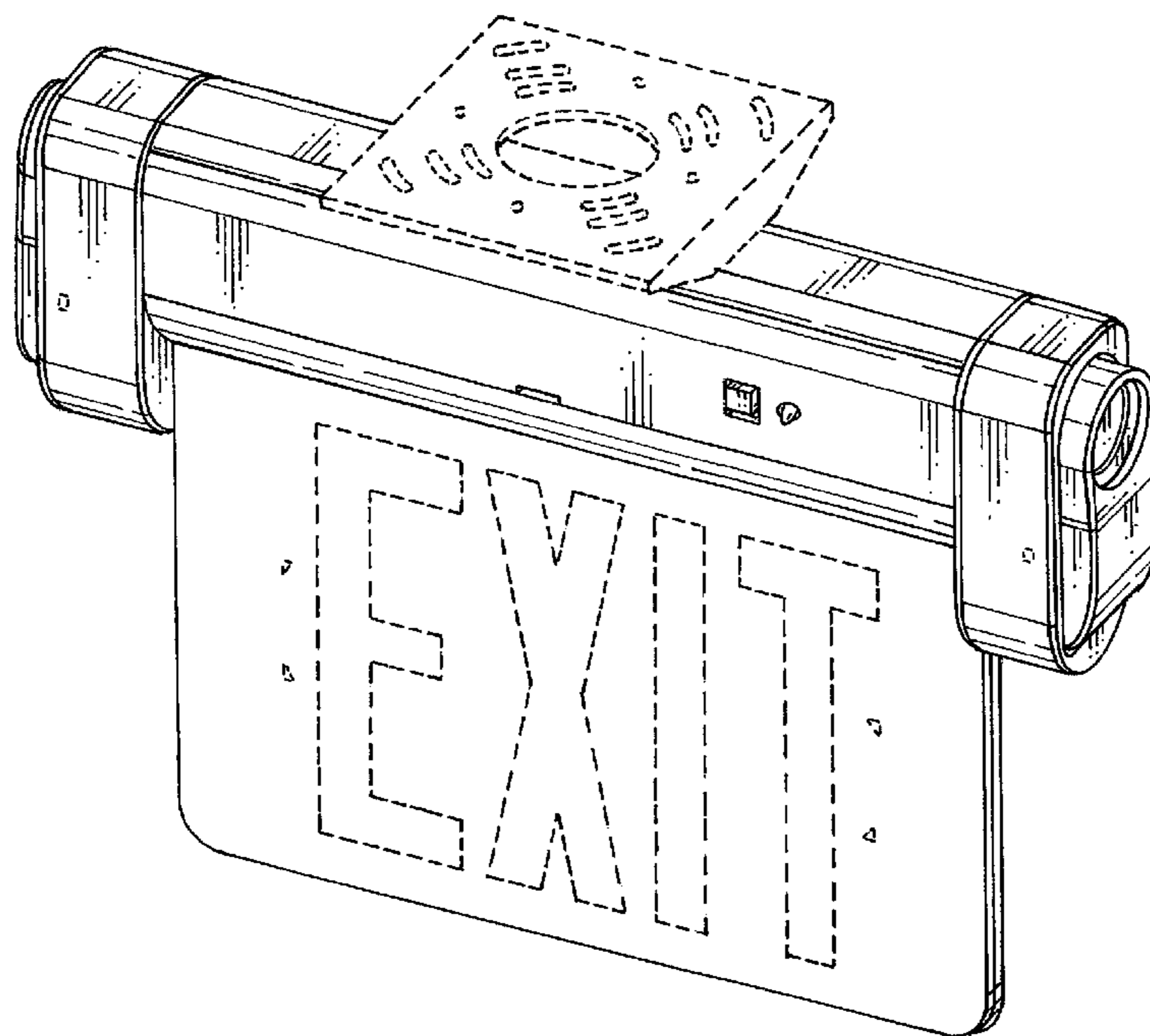
(57) **CLAIM**  
The ornamental design for an illuminated exit sign, as shown and described.

**DESCRIPTION**

FIG. 1 is a front perspective view of an illuminated exit sign showing the new design;  
 FIG. 2 is a front elevation view thereof;  
 FIG. 3 is a rear elevation view thereof;  
 FIG. 4 is a top plan view thereof;  
 FIG. 5 is a bottom view thereof;  
 FIG. 6 is a left side view thereof;  
 FIG. 7 is a right side view thereof;  
 FIG. 8 is a front perspective view of another embodiment of an illuminated exit sign showing the new design;  
 FIG. 9 is a front elevation view thereof;  
 FIG. 10 is a rear elevation view thereof;  
 FIG. 11 is a top plan view thereof;  
 FIG. 12 is a bottom view thereof;  
 FIG. 13 is a left side view thereof; and,  
 FIG. 14 is a right side view thereof.  
 The broken lines shown are for illustrative purposes only and from no part of the claimed design.

- (56) **References Cited**  
U.S. PATENT DOCUMENTS
- |                |         |               |         |
|----------------|---------|---------------|---------|
| 3,931,689 A *  | 1/1976  | Shine         | 40/570  |
| 4,385,343 A *  | 5/1983  | Plumly        | 362/614 |
| 6,457,270 B1 * | 10/2002 | Stark et al.  | 40/570  |
| D561,264 S     | 2/2008  | Yu            | D20/42  |
| D586,860 S     | 2/2009  | Yu            | D20/42  |
| D597,434 S     | 8/2009  | Yu            | D10/114 |
| D611,547 S *   | 3/2010  | Mirica et al. | D20/42  |
| D625,363 S *   | 10/2010 | Lee           | D20/42  |
| D626,443 S     | 11/2010 | Yu            | D10/114 |
| D659,194 S *   | 5/2012  | Hetrick       | D20/42  |

**1 Claim, 12 Drawing Sheets**



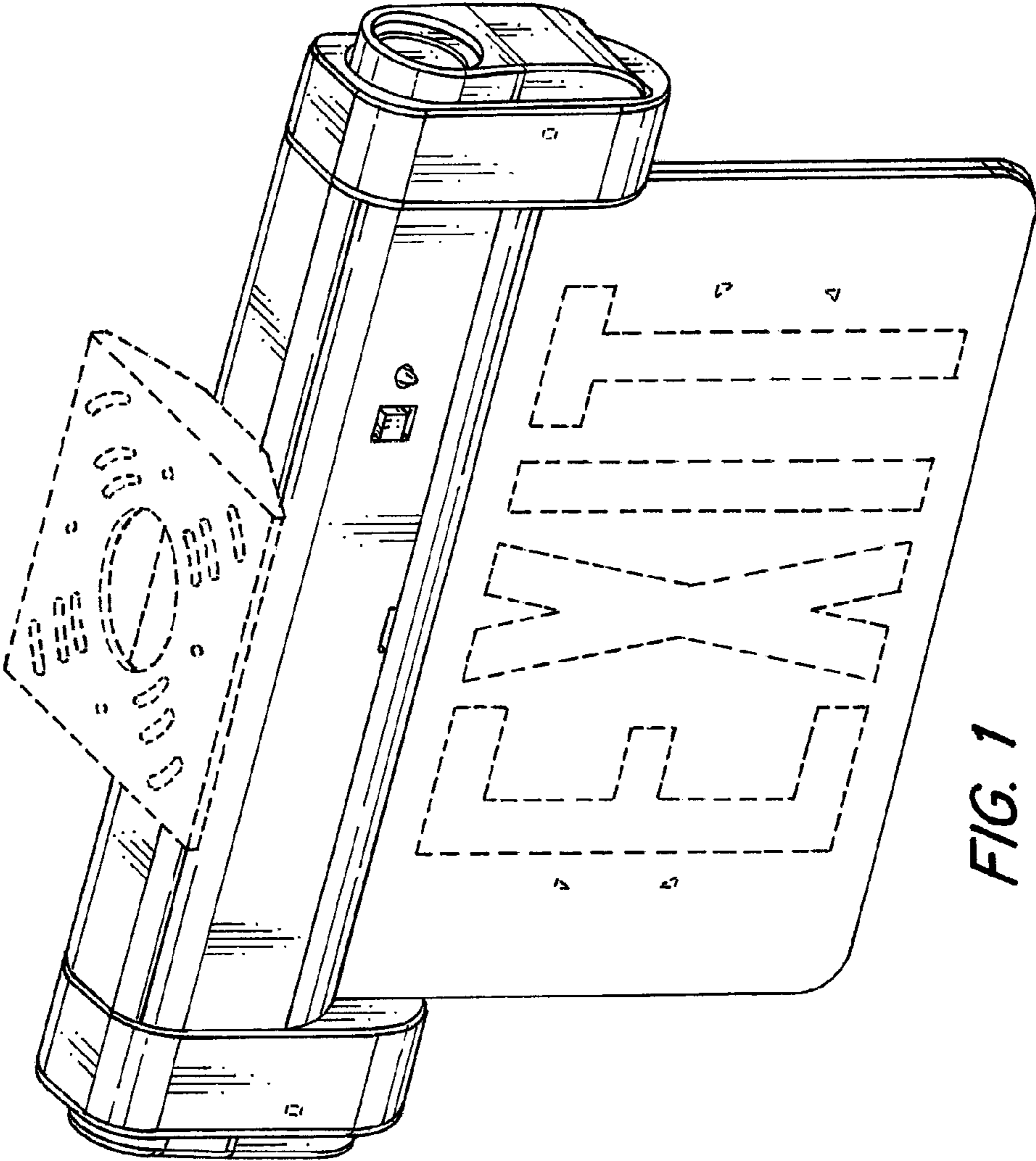


FIG. 1

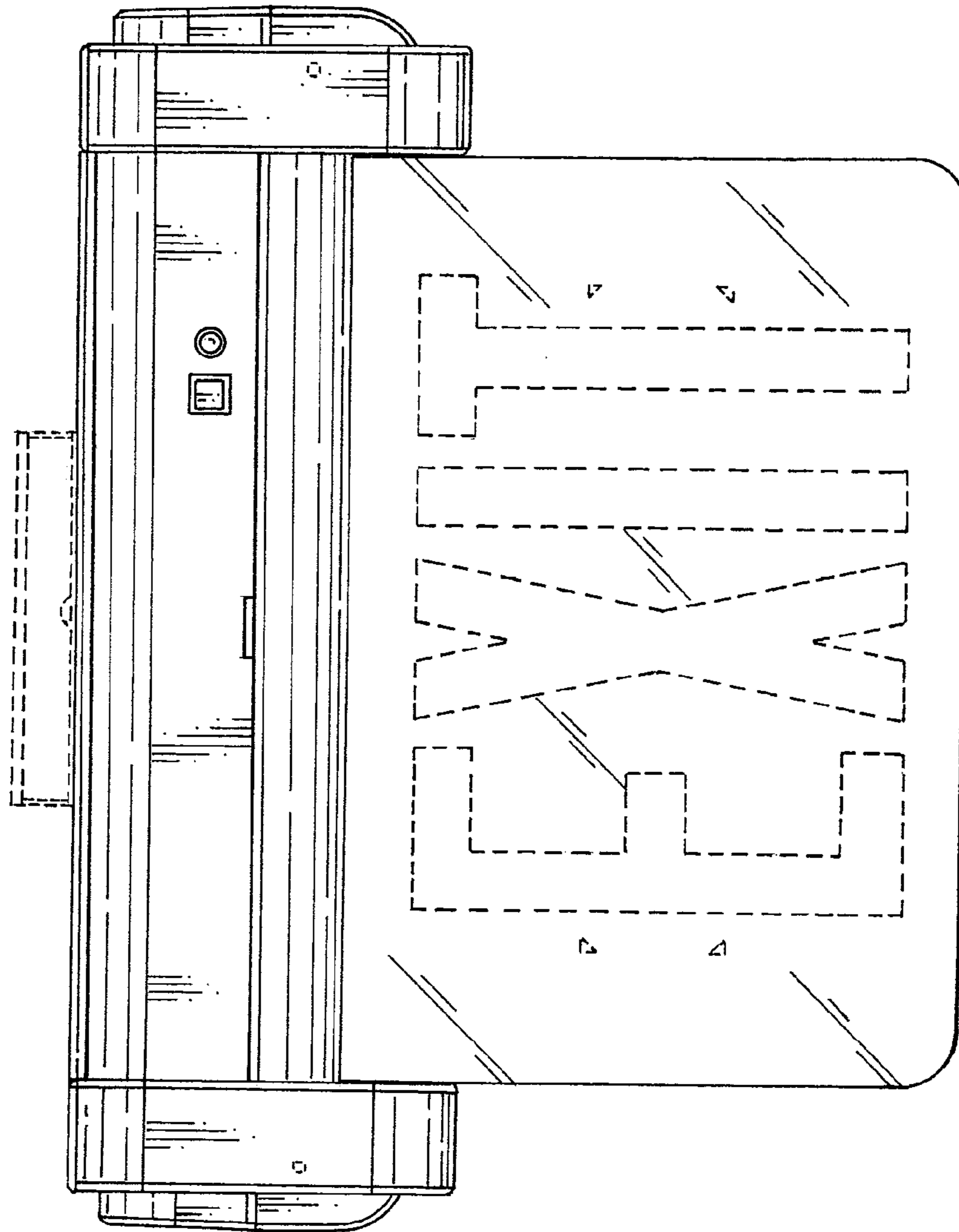


FIG. 2

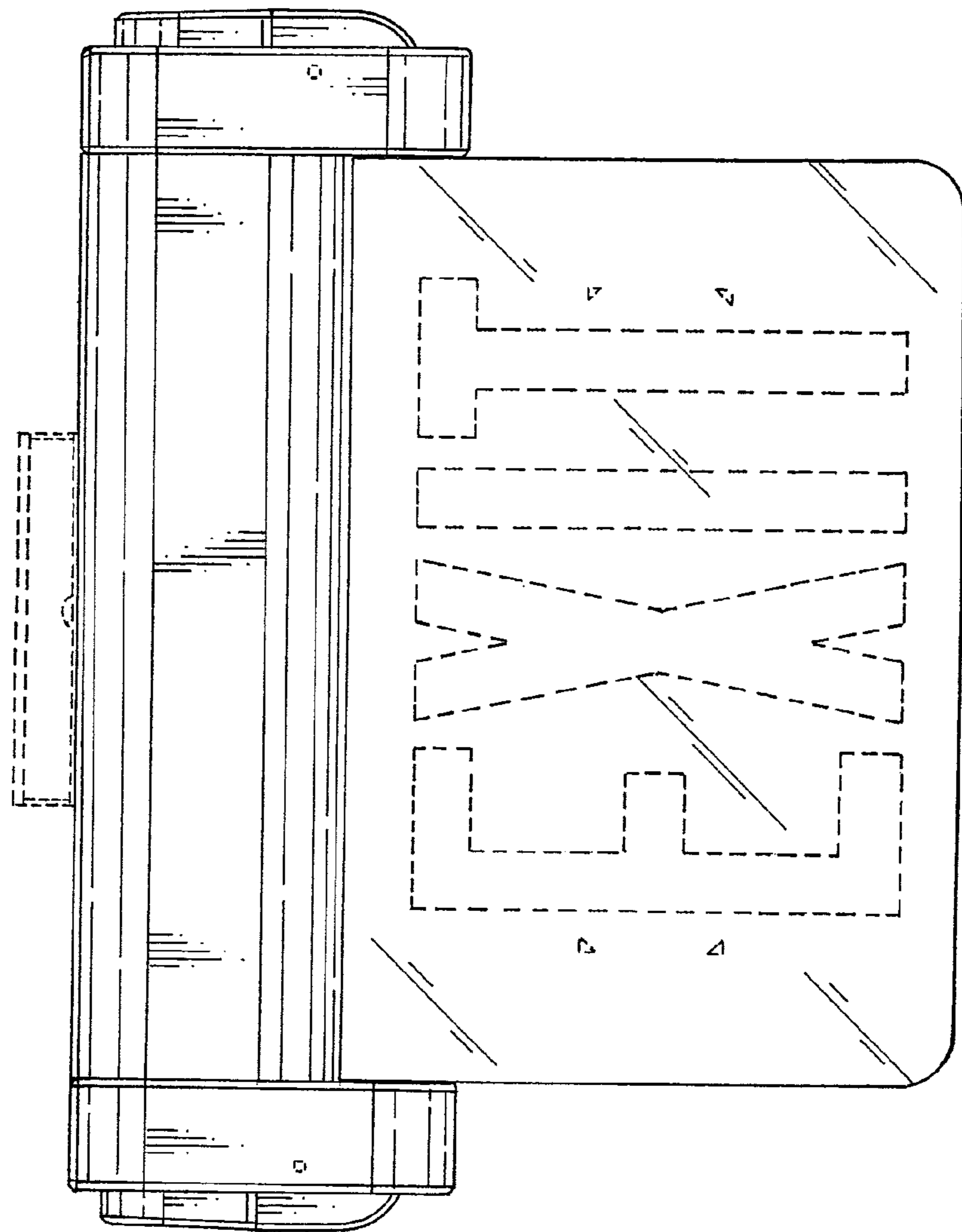


FIG. 3

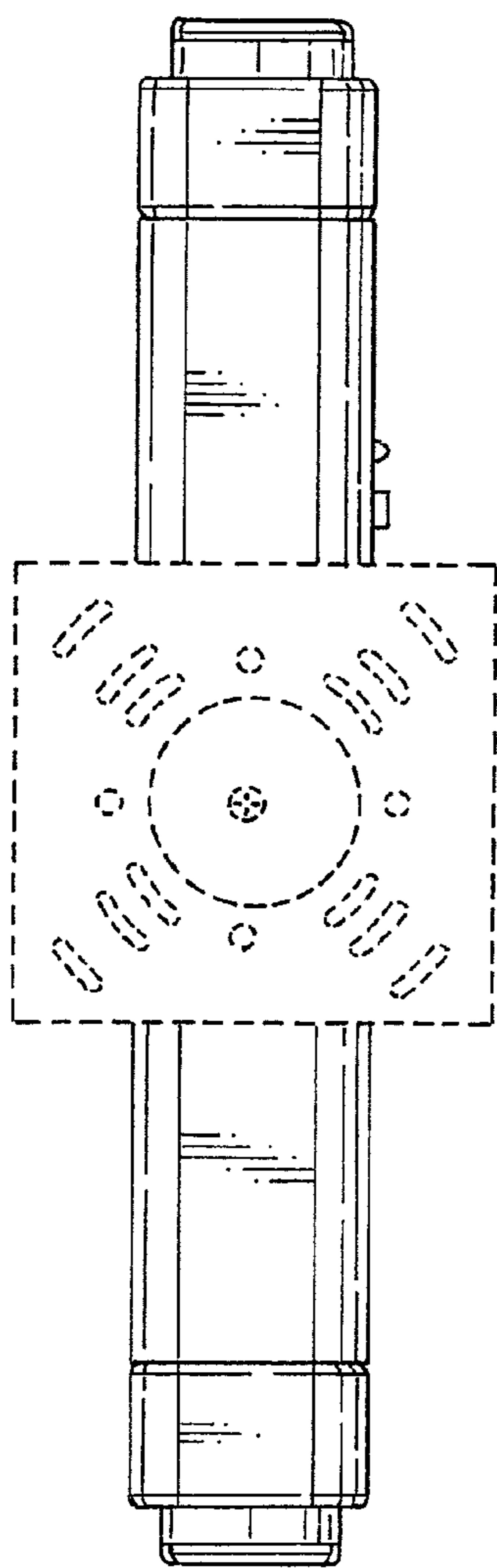


FIG. 4

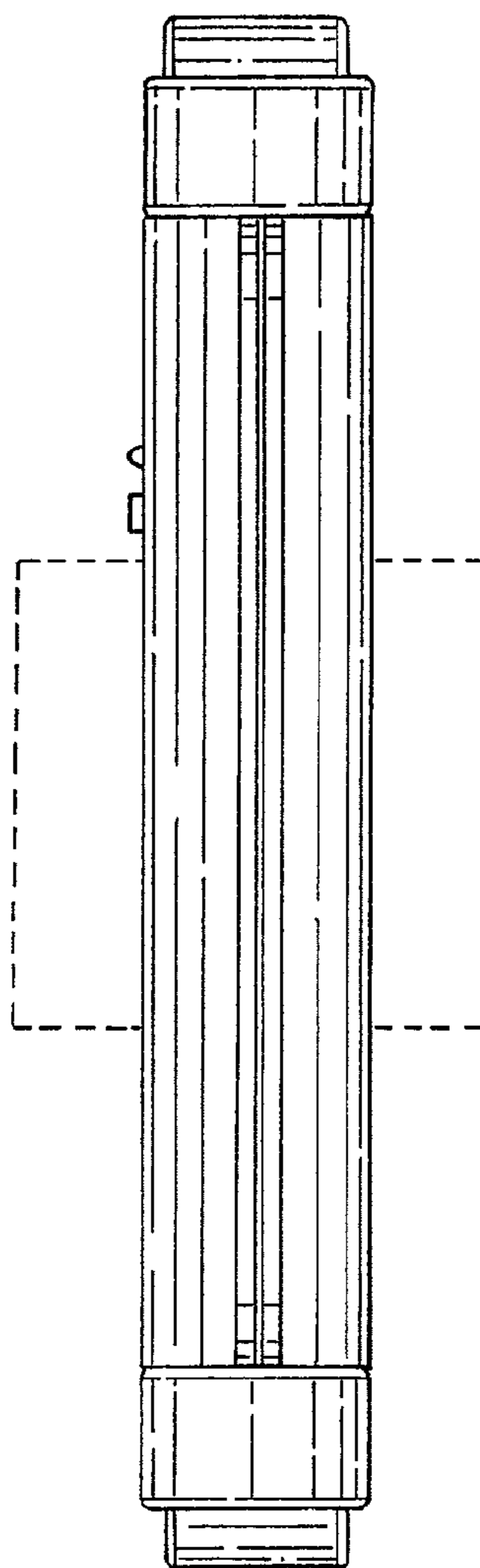
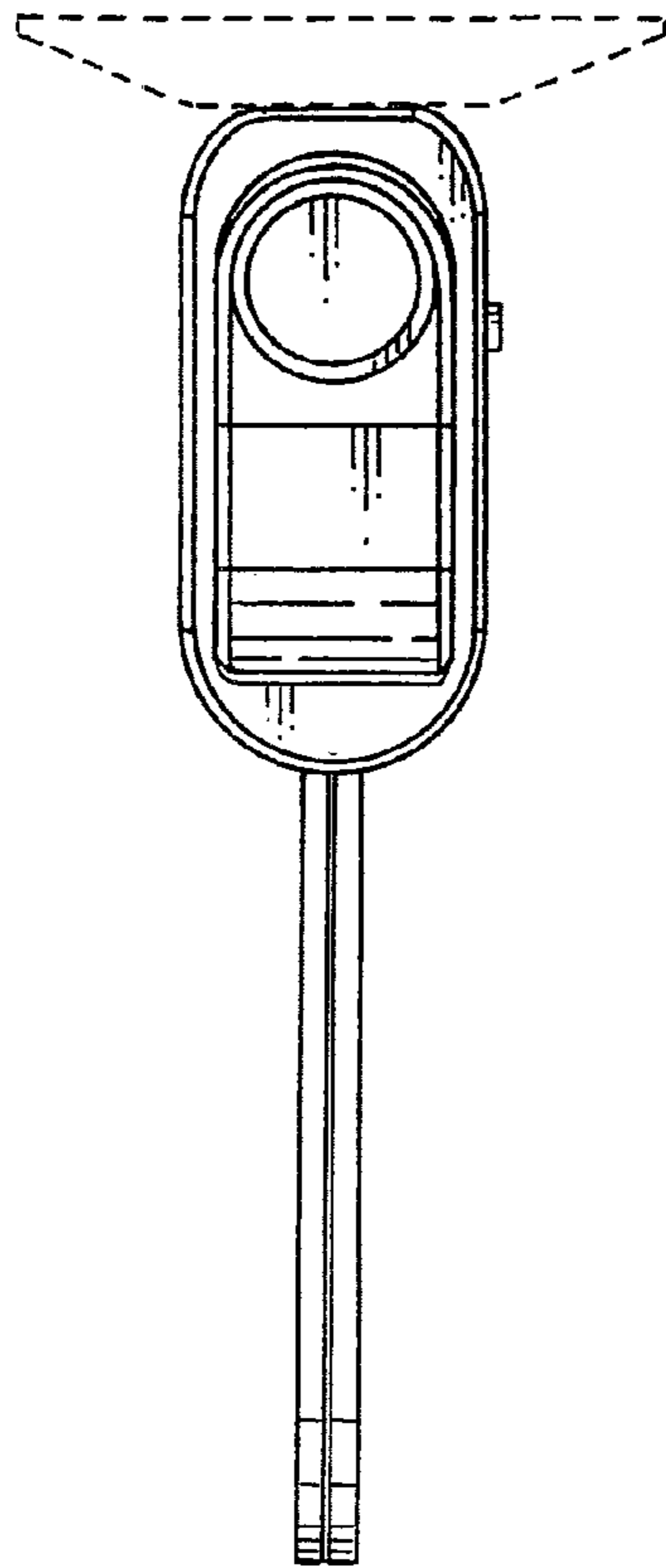
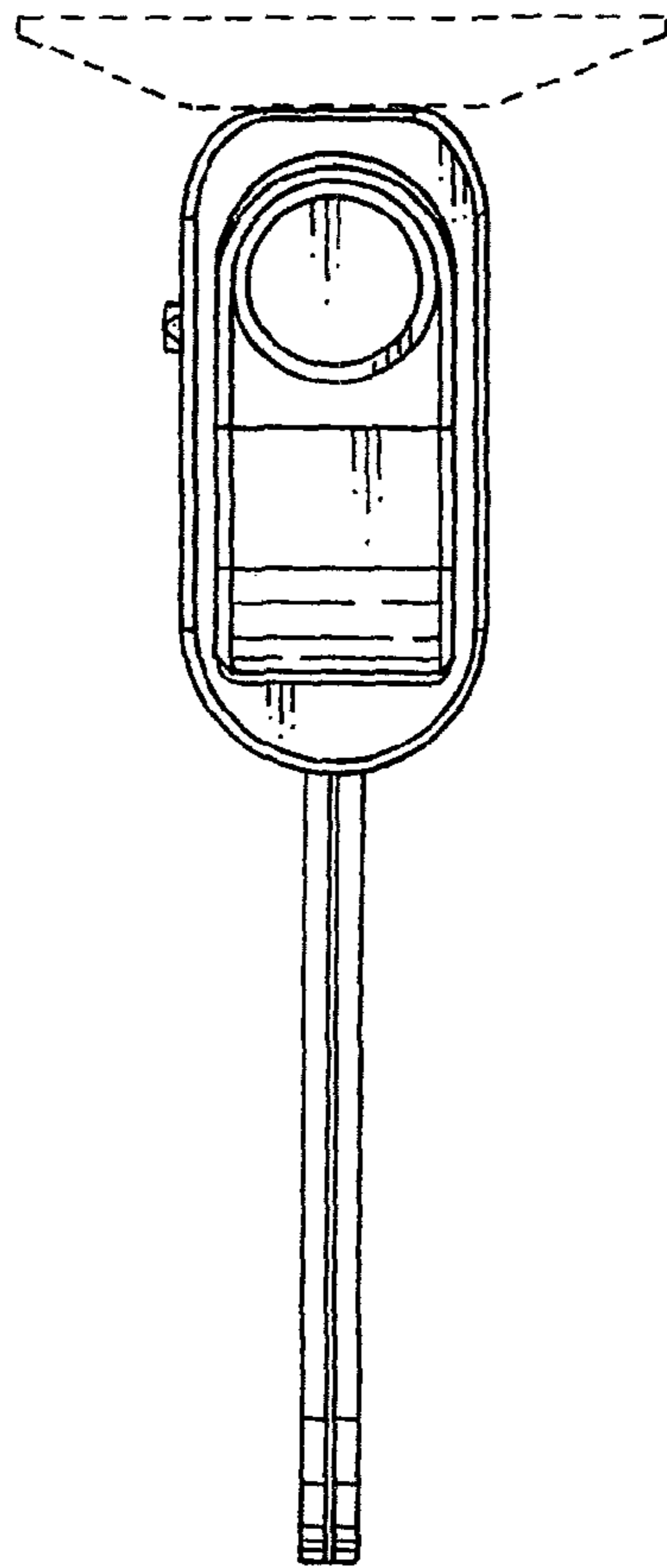


FIG. 5



*FIG. 6*



*FIG. 7*

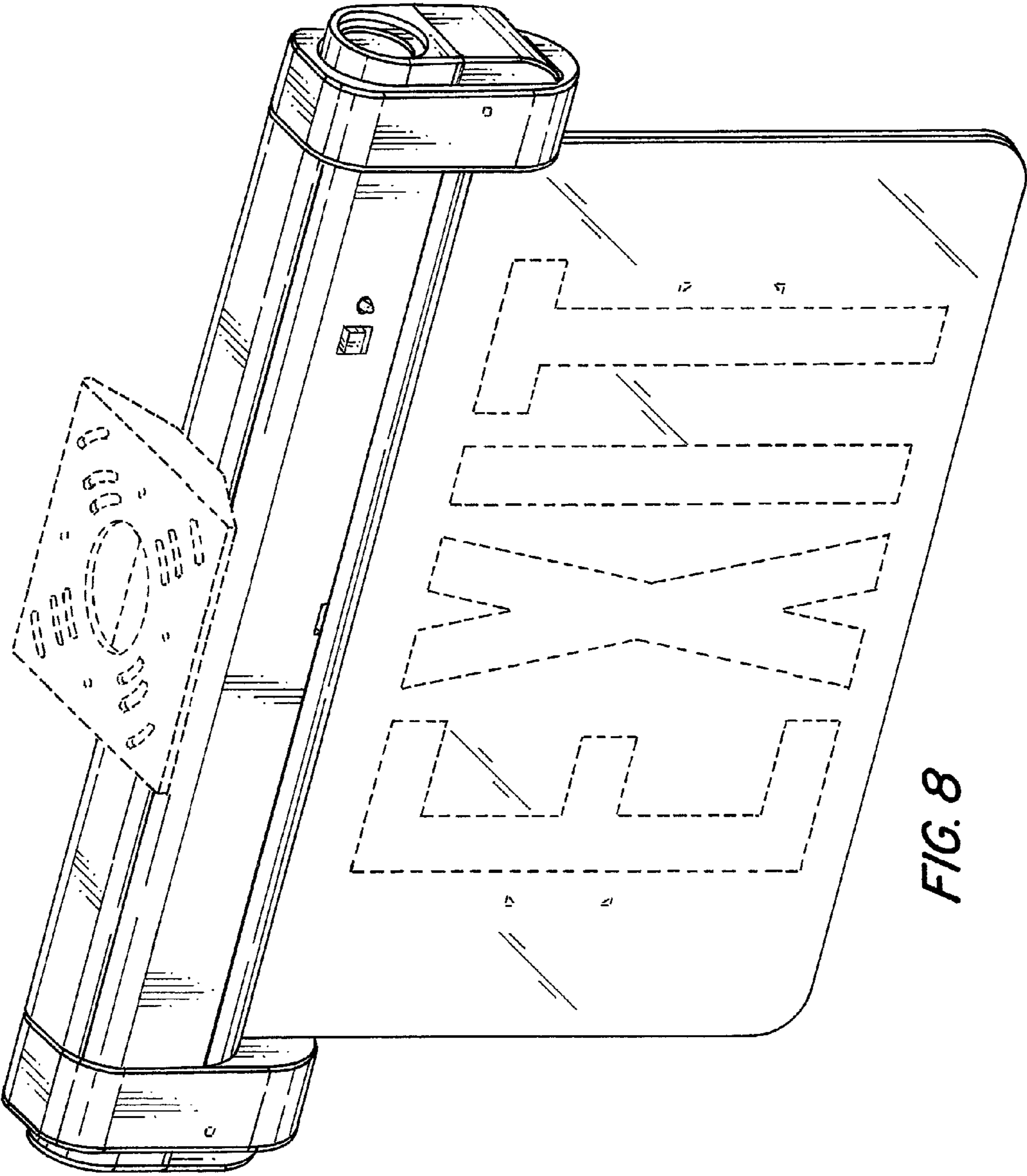


FIG. 8



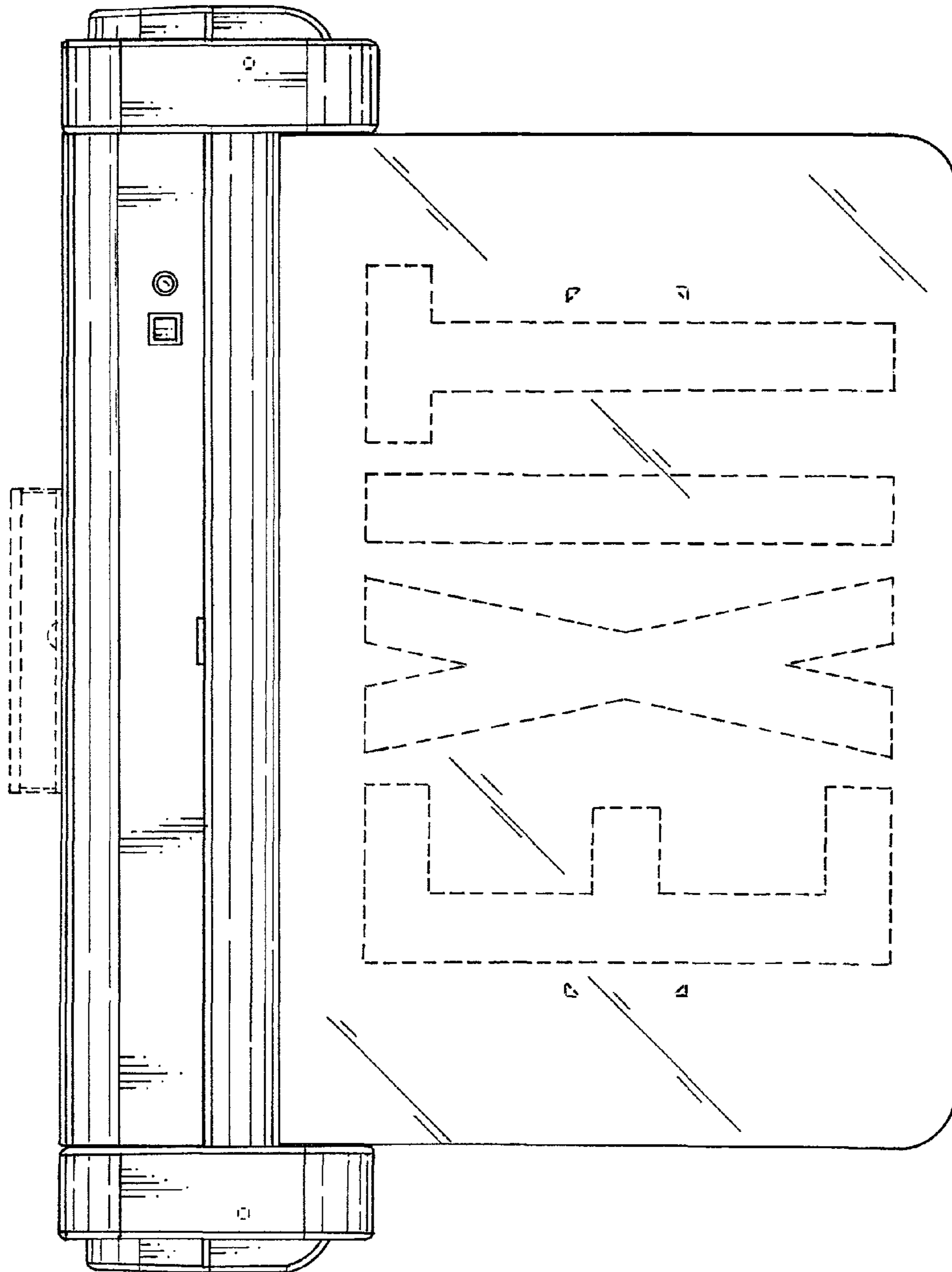


FIG. 9

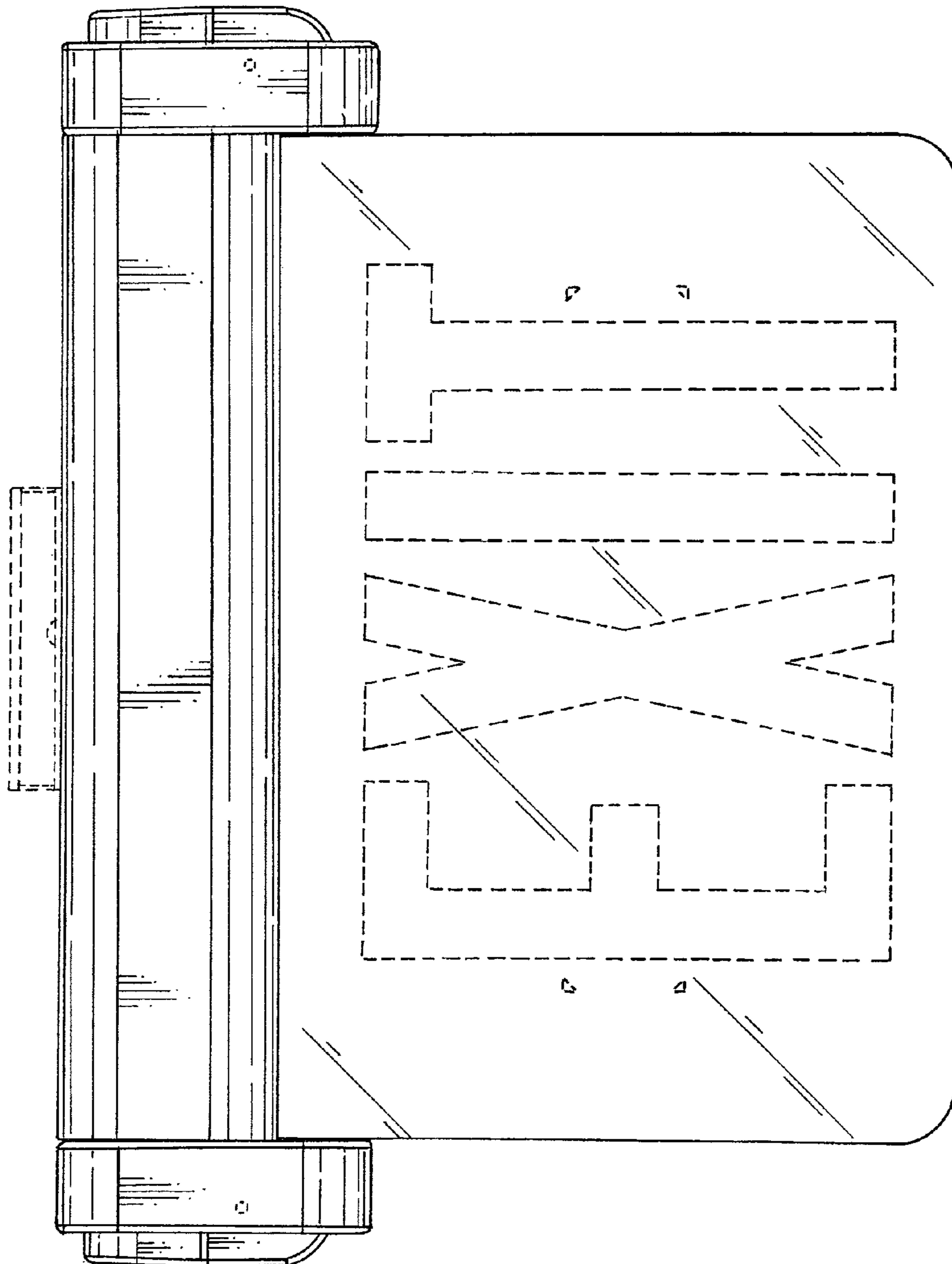


FIG. 10

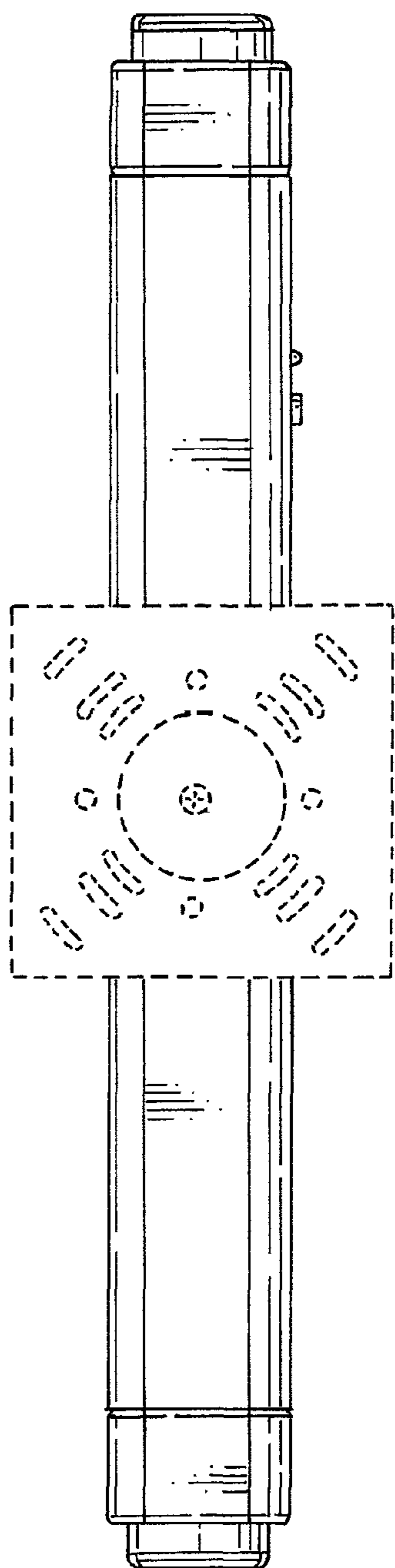


FIG. 11

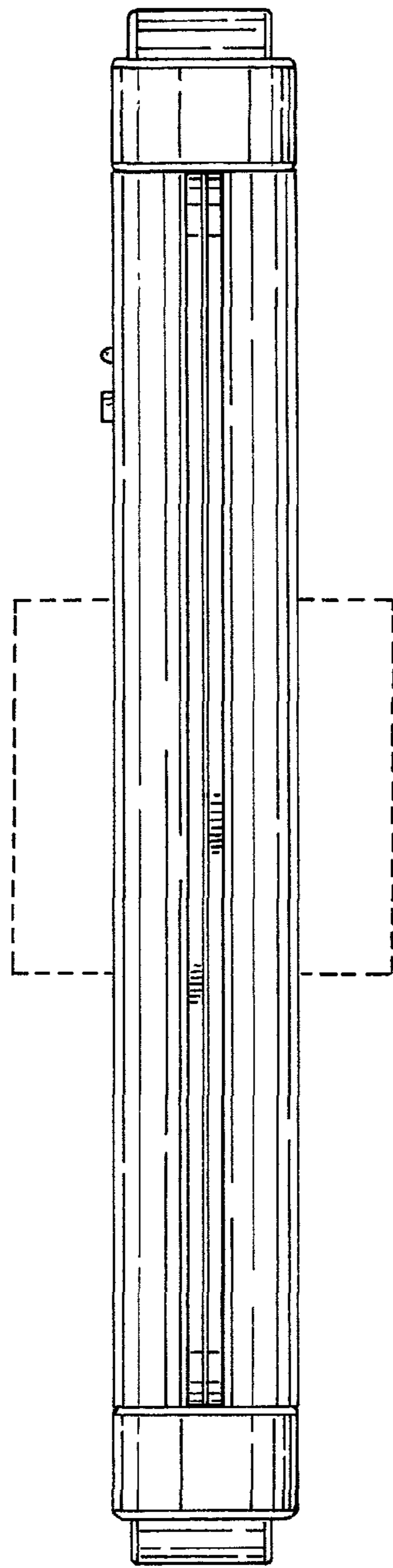
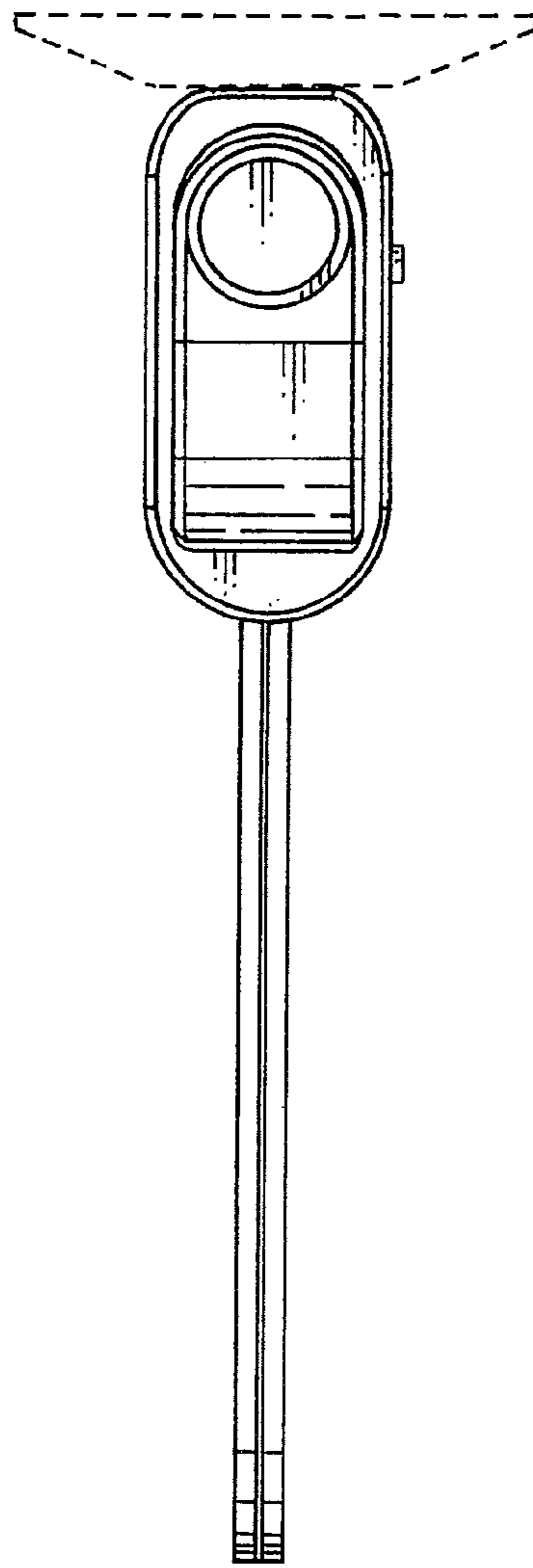
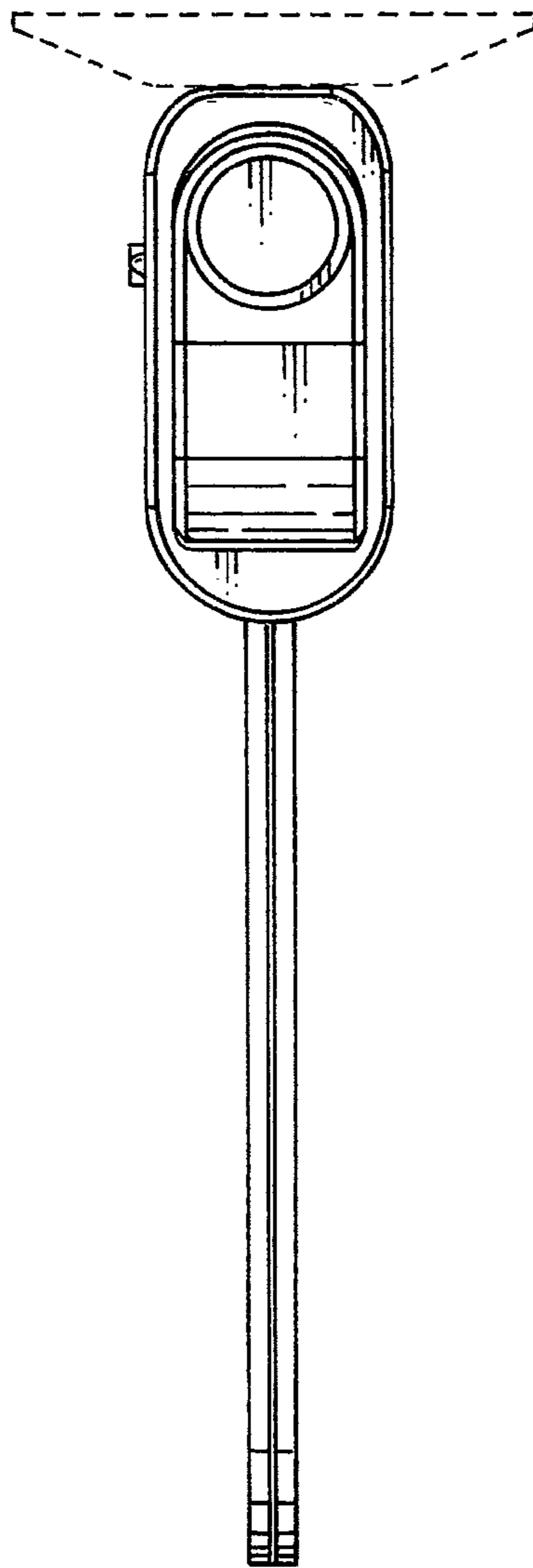


FIG. 12



*FIG. 13*



*FIG. 14*