



US00D697967S

(12) **United States Design Patent**
Fukasawa et al.

(10) **Patent No.:** **US D697,967 S**
(45) **Date of Patent:** **** Jan. 21, 2014**

(54) **PRINTER**
(75) Inventors: **Naoto Fukasawa**, Tokyo (JP);
Jong-Kyu Kim, Seoul (KR);
Seung-Wook Jeong, Seoul (KR)

D613,792 S * 4/2010 Suzuki et al. D18/55
D633,556 S 3/2011 Park et al.
D641,778 S 7/2011 Lee et al.
D660,351 S * 5/2012 Larson et al. D18/55
D673,603 S * 1/2013 Suzuki et al. D18/55

(73) Assignee: **Samsung Electronics Co., Ltd.**,
Suwon-si, Gyeonggi-do (KR)

(**) Term: **14 Years**
(21) Appl. No.: **29/427,372**
(22) Filed: **Jul. 17, 2012**

OTHER PUBLICATIONS

U.S. Appl. No. 29/418,386, Applicant: Min-Chul Kim, et al., filed Apr. 16, 2012 entitled Printer, Allowed.
U.S. Appl. No. 29/422,982, Applicant: Naoto Fukasawa, et al., filed May 25, 2012 entitled Printer, Non-Final.
U.S. Appl. No. 29/427,368, Applicant: Naoto Fukasawa, et al., filed Jul. 17, 2012 entitled Printer, Searched w/Instant App.

(30) **Foreign Application Priority Data**

Jan. 27, 2012 (KR) 30-2012-0003903

(51) **LOC (10) Cl.** **14-02**
(52) **U.S. Cl.**
USPC **D18/55**
(58) **Field of Classification Search**
USPC D18/36-38, 50, 54, 54.1, 55;
D14/420-425, 462-470; 400/613,
400/613.1-613.4, 690.1-690.4, 691-694
See application file for complete search history.

* cited by examiner

Primary Examiner — Cathy A MacCormac

(74) *Attorney, Agent, or Firm* — Flynn, Thiel, Boutell & Tanis, P.C.

(56) **References Cited**

U.S. PATENT DOCUMENTS

D536,372 S * 2/2007 Lim et al. D18/53
D551,700 S 9/2007 Park et al.
D555,195 S 11/2007 Park et al.
D557,737 S * 12/2007 Falk et al. D18/53
D574,886 S * 8/2008 Mase et al. D18/55
D581,976 S 12/2008 Park et al.
D584,344 S 1/2009 Lee et al.
D586,385 S 2/2009 Kim et al.

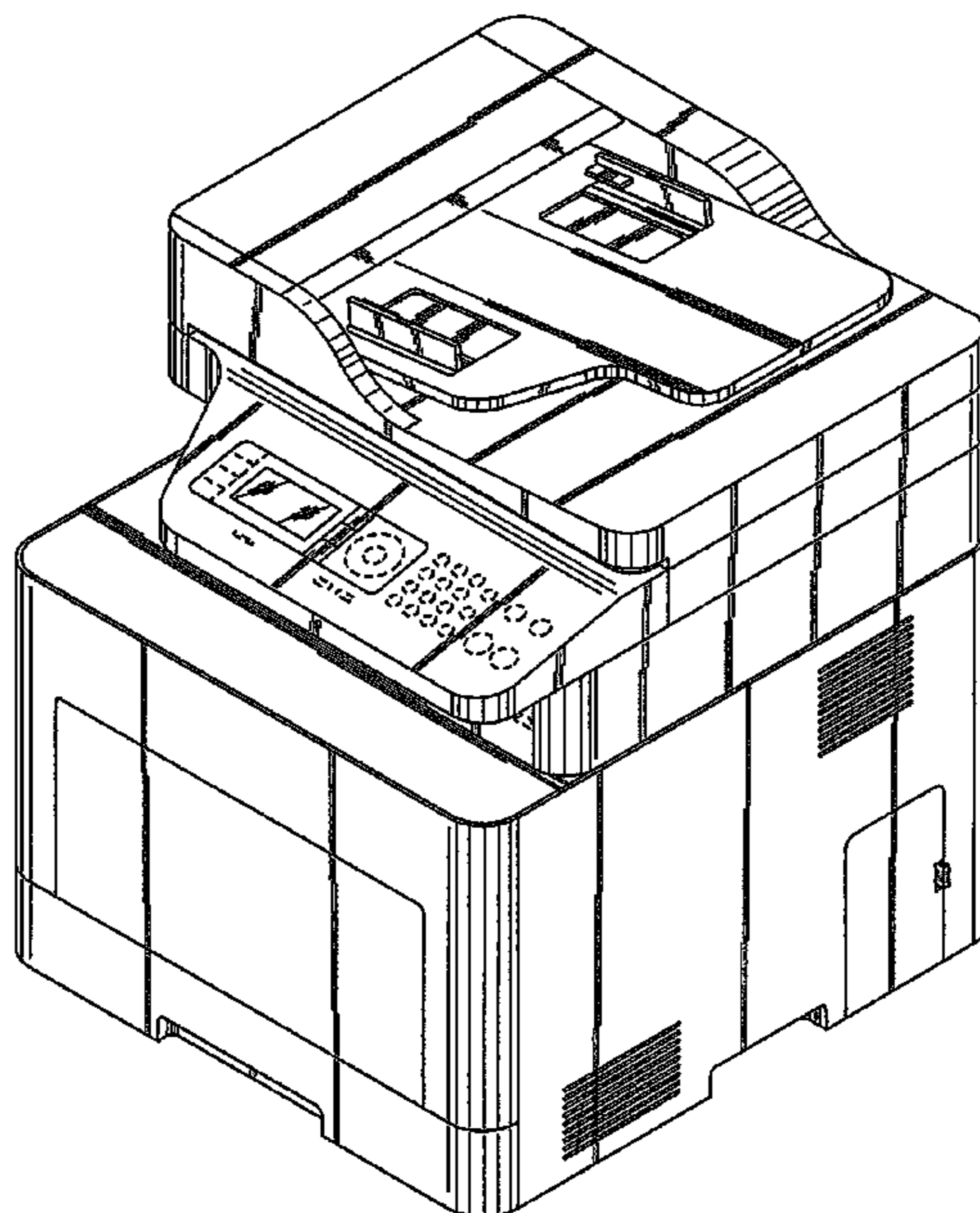
(57) **CLAIM**

The ornamental design for a printer, as shown and described.

DESCRIPTION

FIG. 1 is a top front perspective view of a printer showing our new design;
FIG. 2 is a front elevational view thereof;
FIG. 3 is a rear elevational view thereof;
FIG. 4 is a left side elevational view thereof;
FIG. 5 is a right side elevational view thereof;
FIG. 6 is a top plan view thereof; and,
FIG. 7 is a bottom plan view thereof.
The broken lines depict environmental subject matter only and form no part of the claimed design.

1 Claim, 7 Drawing Sheets



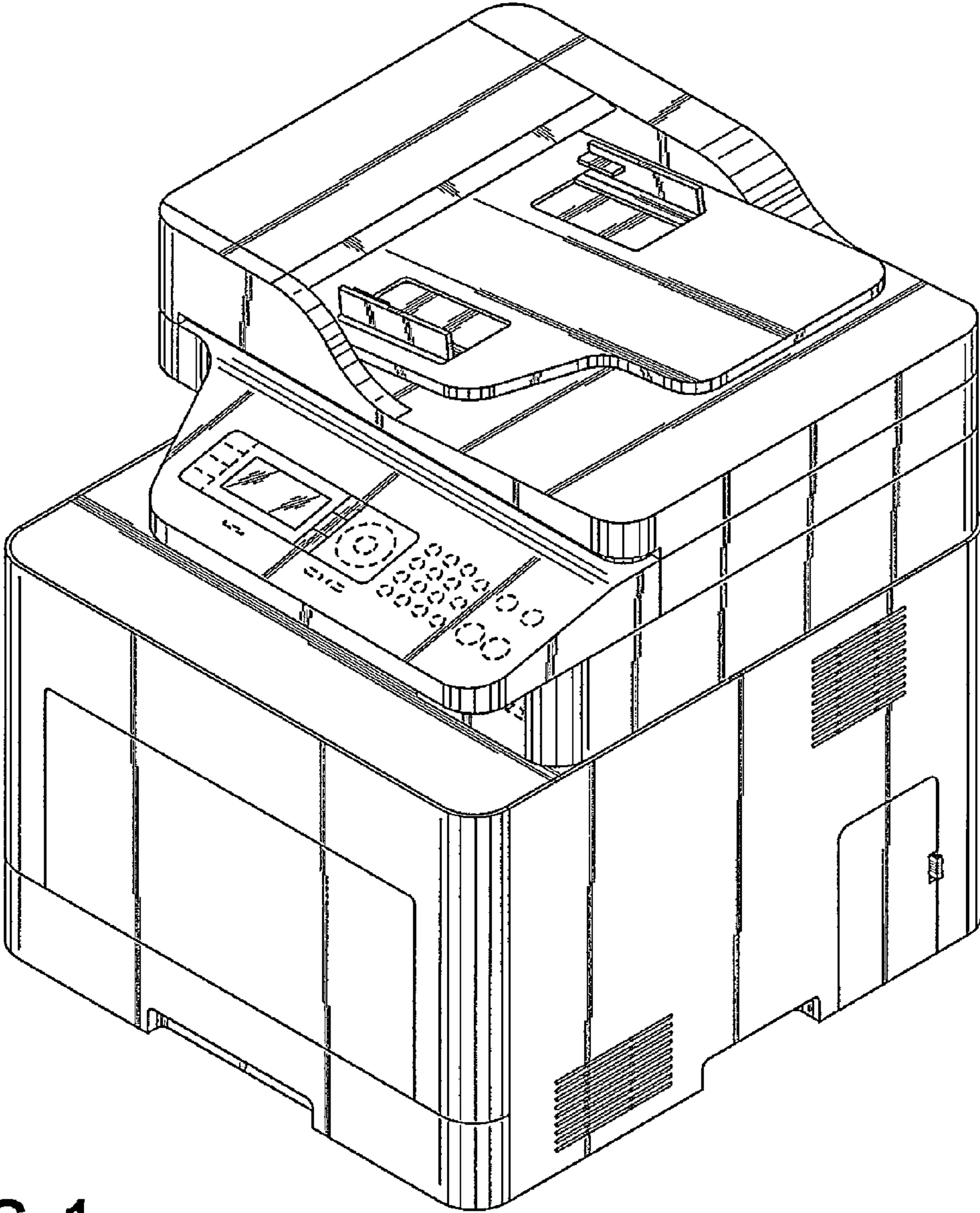


FIG. 1

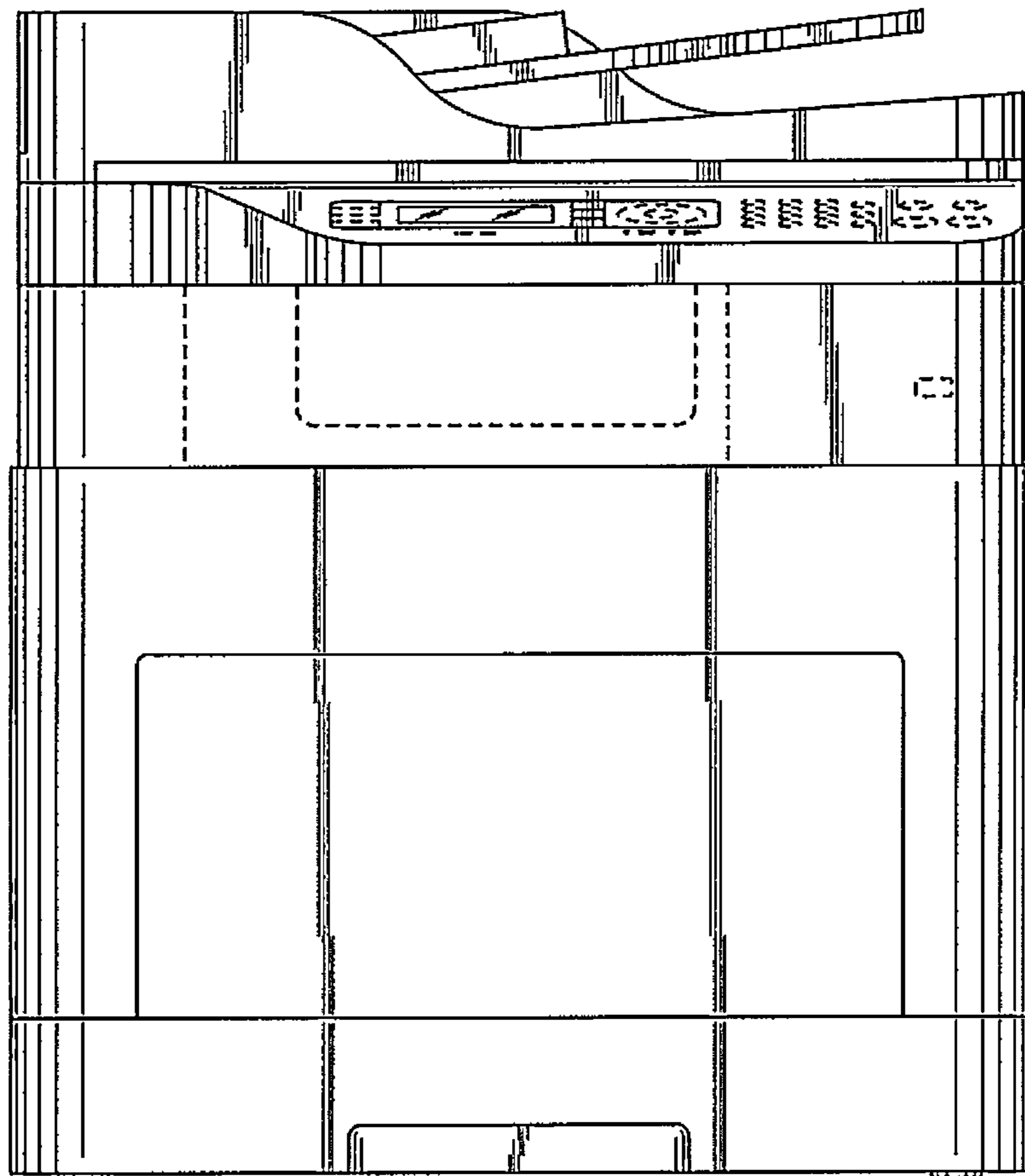


FIG. 2

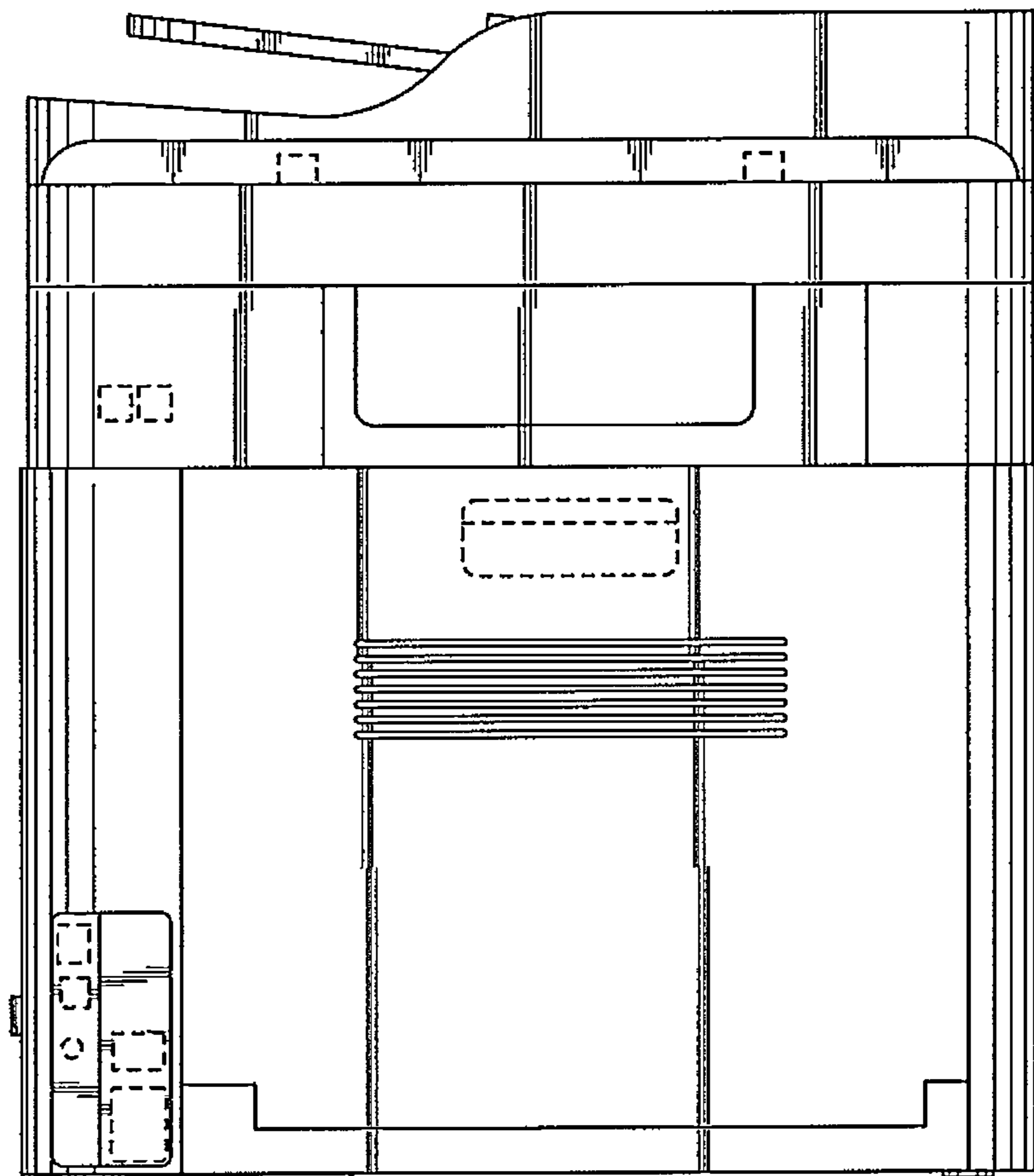


FIG. 3

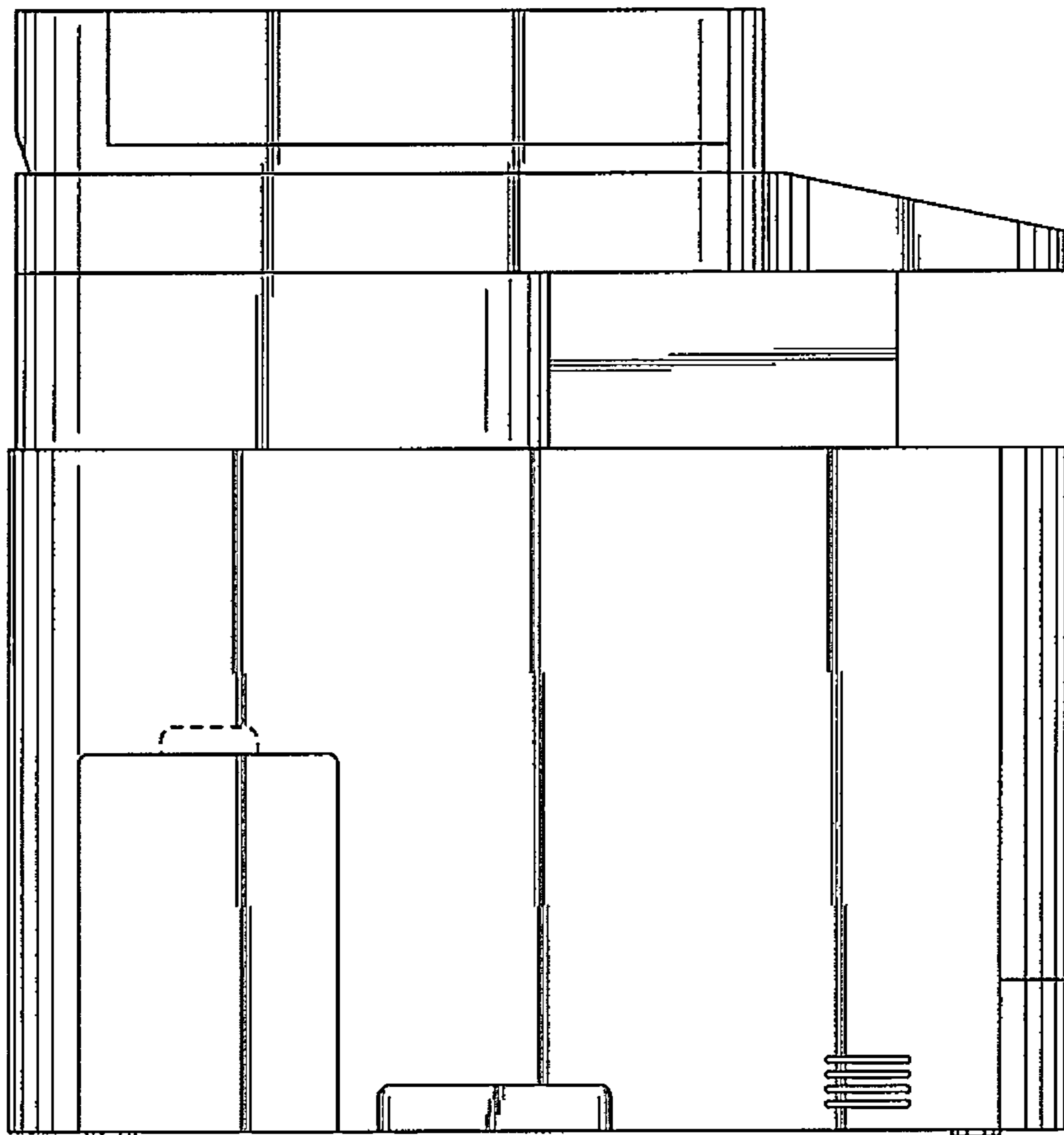


FIG. 4

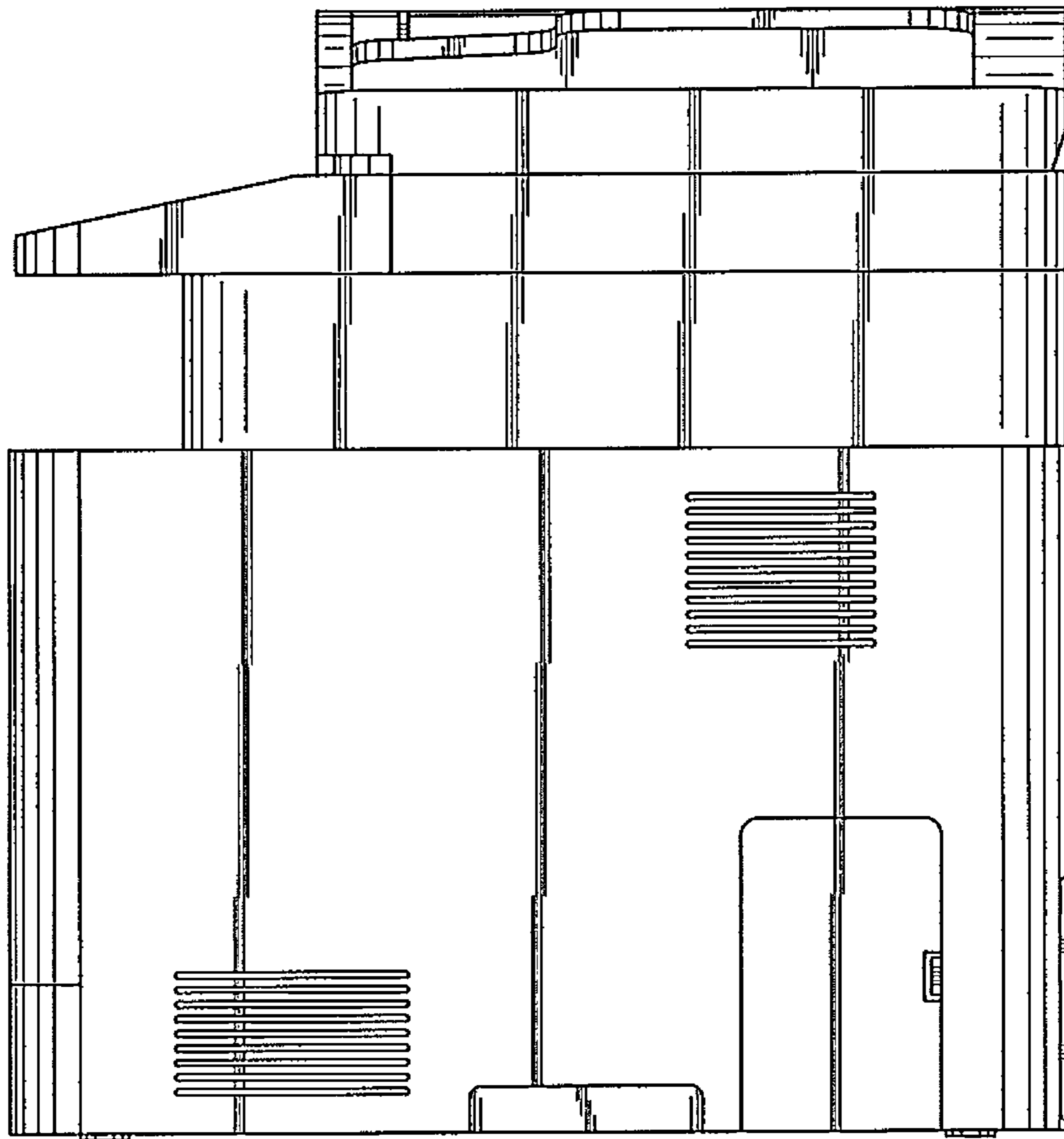


FIG. 5

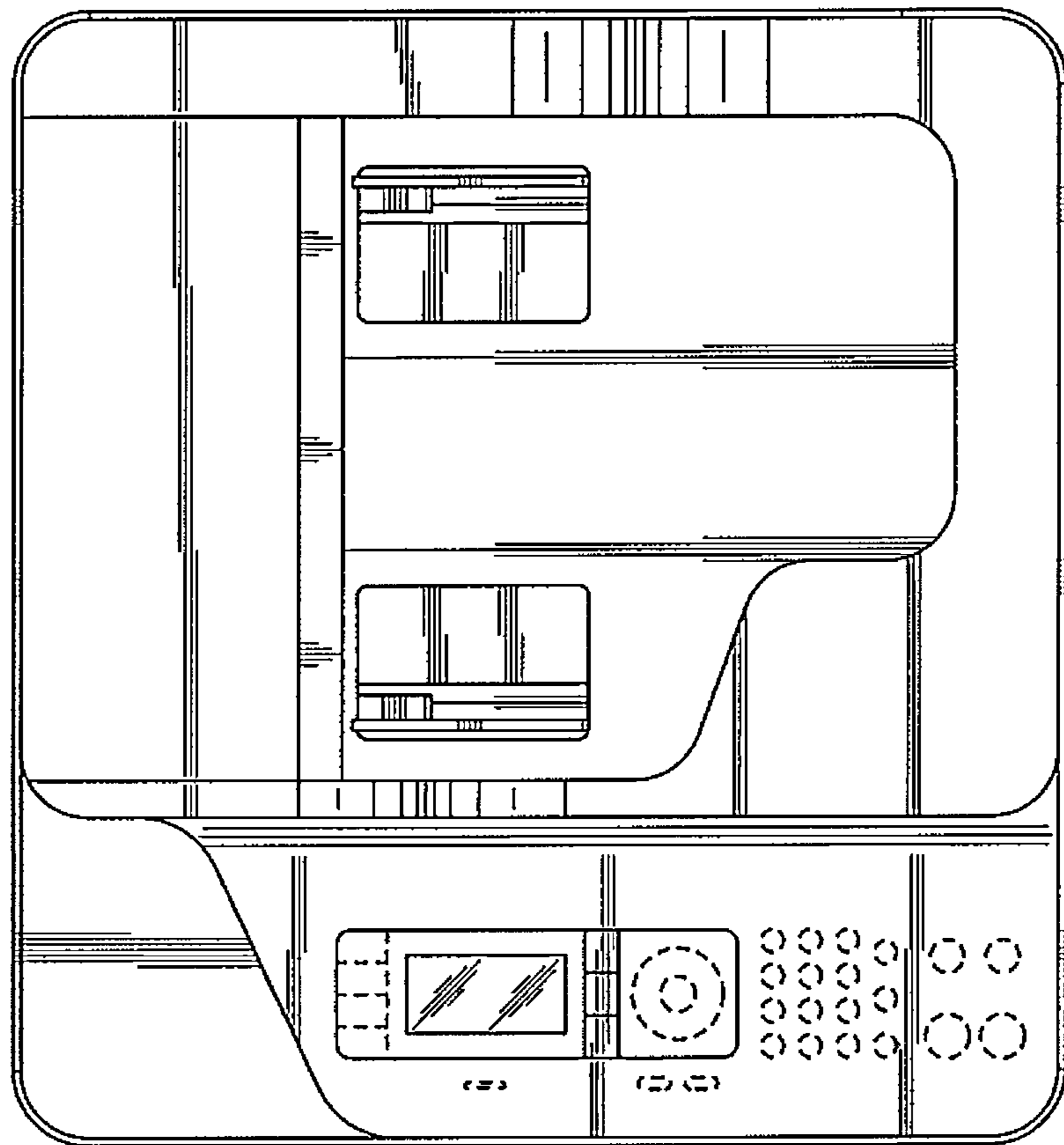


FIG. 6

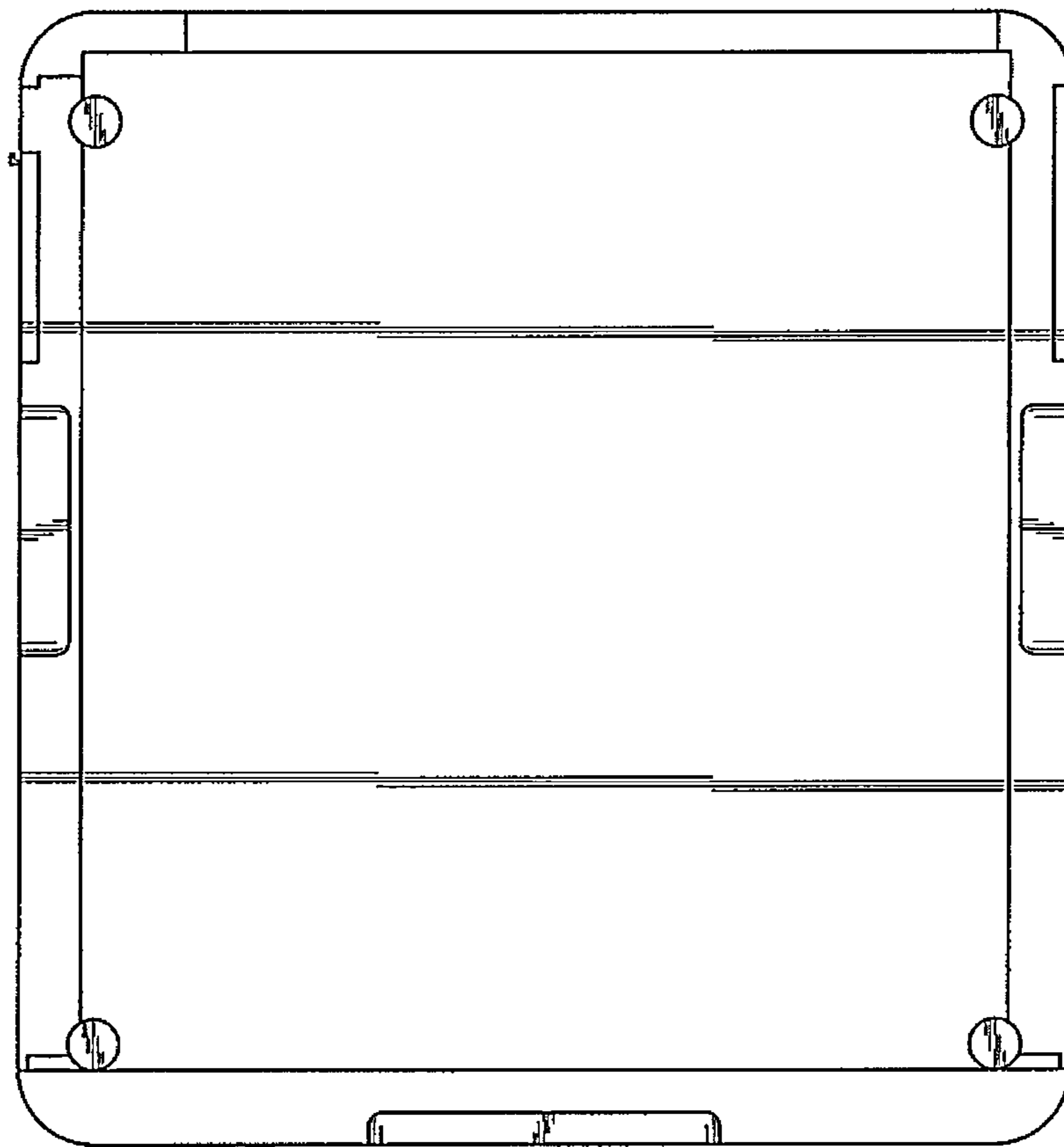


FIG. 7