



US00D697961S

(12) **United States Design Patent**  
**Tanifuji**

(10) **Patent No.:** **US D697,961 S**  
(45) **Date of Patent:** **\*\* Jan. 21, 2014**

(54) **CAMCORDER**  
(71) Applicant: **JVC Kenwood Corporation**, Kanagawa (JP)  
(72) Inventor: **Shuji Tanifuji**, Kanagawa (JP)  
(73) Assignee: **JVC Kenwood Corporation**, Kanagawa (JP)

D431,041 S \* 9/2000 Sekine ..... D16/202  
D574,027 S \* 7/2008 Miyazaki ..... D16/202  
D604,351 S \* 11/2009 Miyazaki ..... D16/219  
D665,004 S \* 8/2012 Lofgren ..... D16/208

\* cited by examiner

*Primary Examiner* — Adir Aronovich  
(74) *Attorney, Agent, or Firm* — Osha Liang LLP

(\*\*) Term: **14 Years**  
(21) Appl. No.: **29/438,612**  
(22) Filed: **Nov. 30, 2012**

(57) **CLAIM**  
The ornamental design for camcorder, as shown and described.

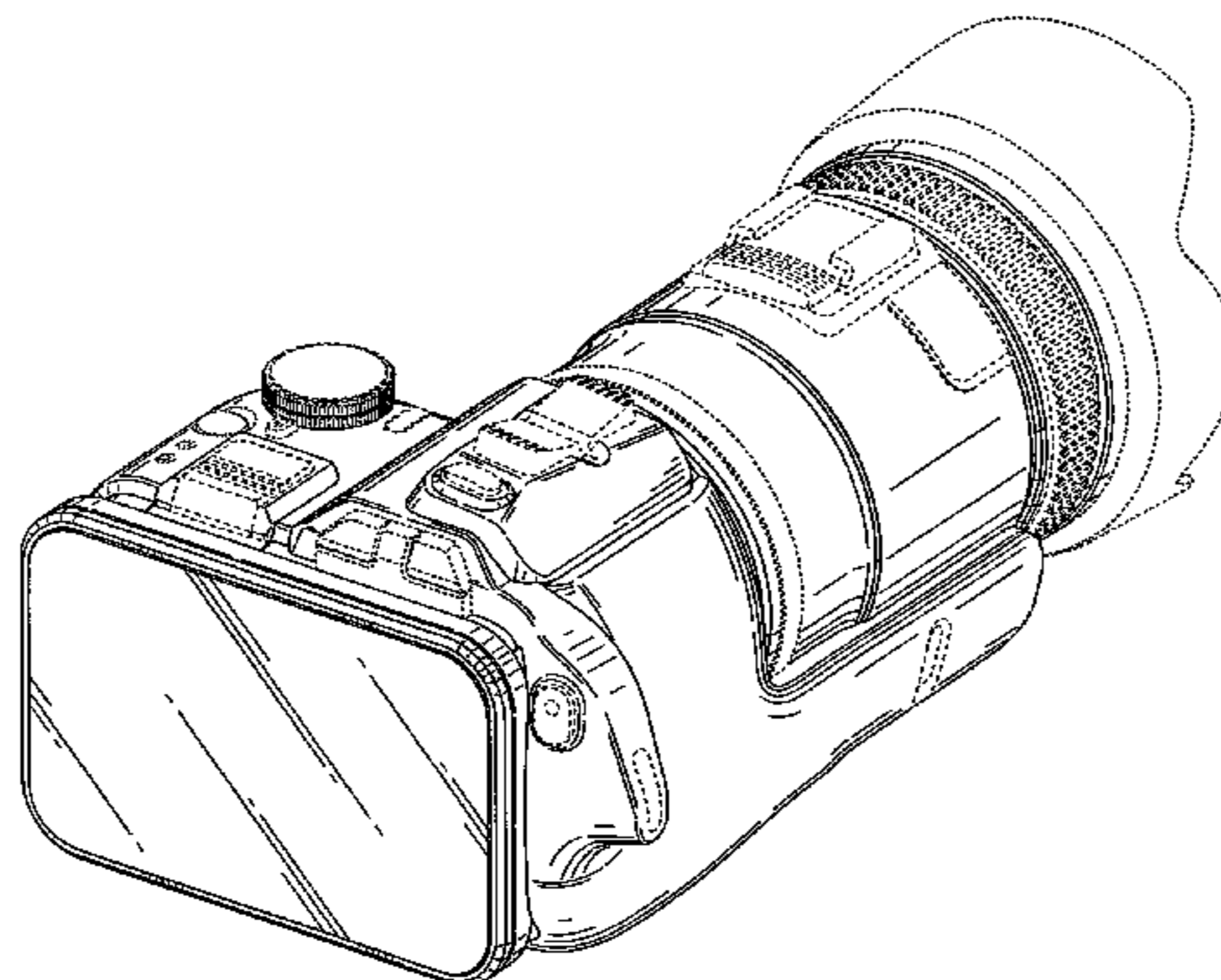
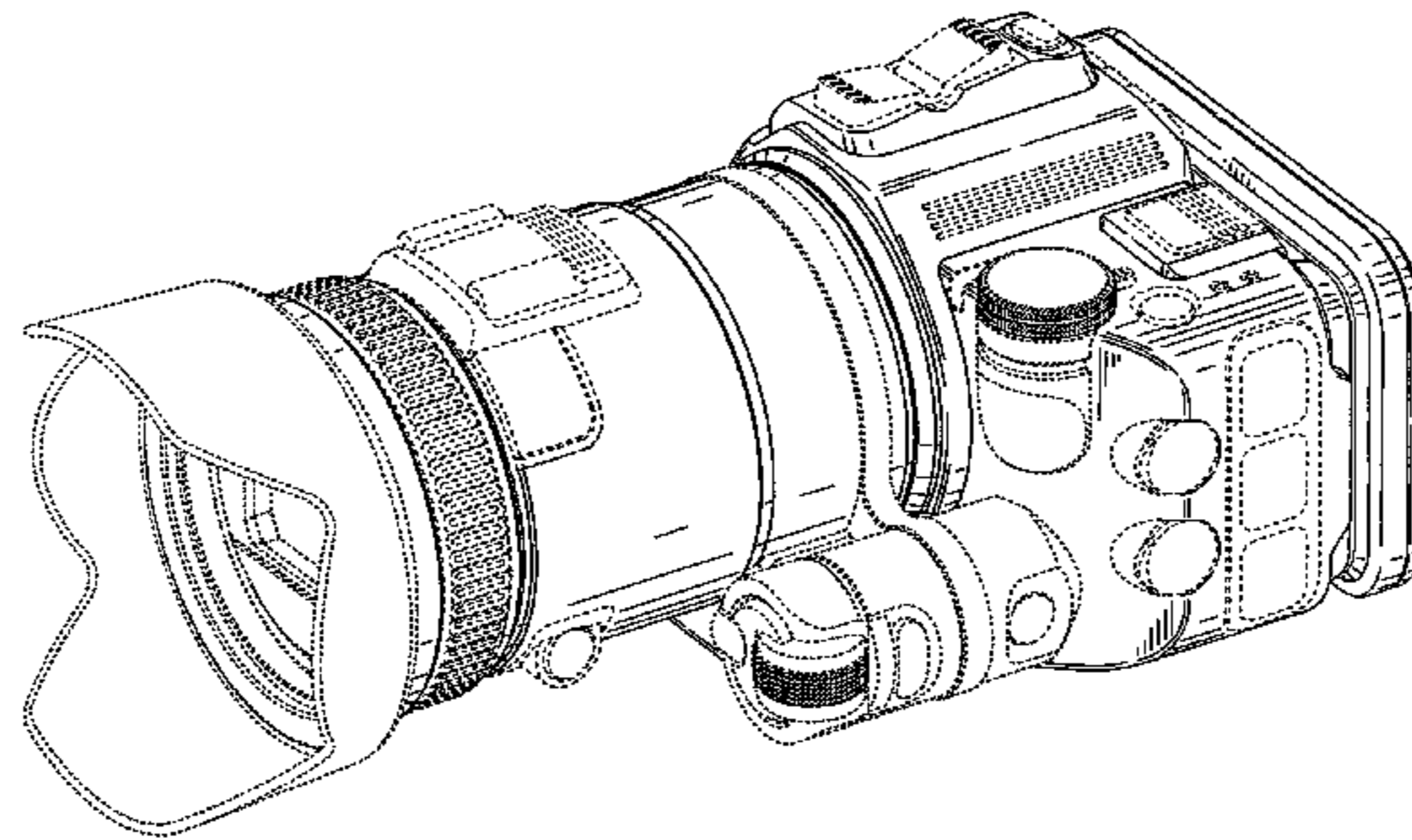
(30) **Foreign Application Priority Data**  
Jun. 1, 2012 (JP) ..... 2012-013039  
(51) **LOC (10) Cl.** ..... **16-05**  
(52) **U.S. Cl.**  
USPC ..... **D16/219; D16/202**  
(58) **Field of Classification Search**  
USPC ..... D16/200, 202, 203, 204, 205, 218, 219;  
348/373-376; 358/906; 396/535-541  
See application file for complete search history.

**DESCRIPTION**

FIG. 1 is a front, top and right side perspective view of a camcorder showing my new design;  
FIG. 2 is a rear, top and left side perspective view thereof;  
FIG. 3 is a front elevational view thereof;  
FIG. 4 is a rear elevational view thereof;  
FIG. 5 is a left side elevational view thereof;  
FIG. 6 is a right side elevational view thereof;  
FIG. 7 is a top plan thereof; and,  
FIG. 8 is a bottom plan thereof.  
The broken lines showing of camcorder is included for the purpose of illustrating portions of camcorder and forms no part of the claimed design.

(56) **References Cited**  
**U.S. PATENT DOCUMENTS**  
D332,108 S \* 12/1992 Kondo ..... D16/202  
5,767,906 A \* 6/1998 Toyofuku et al. .... 348/375

**1 Claim, 6 Drawing Sheets**



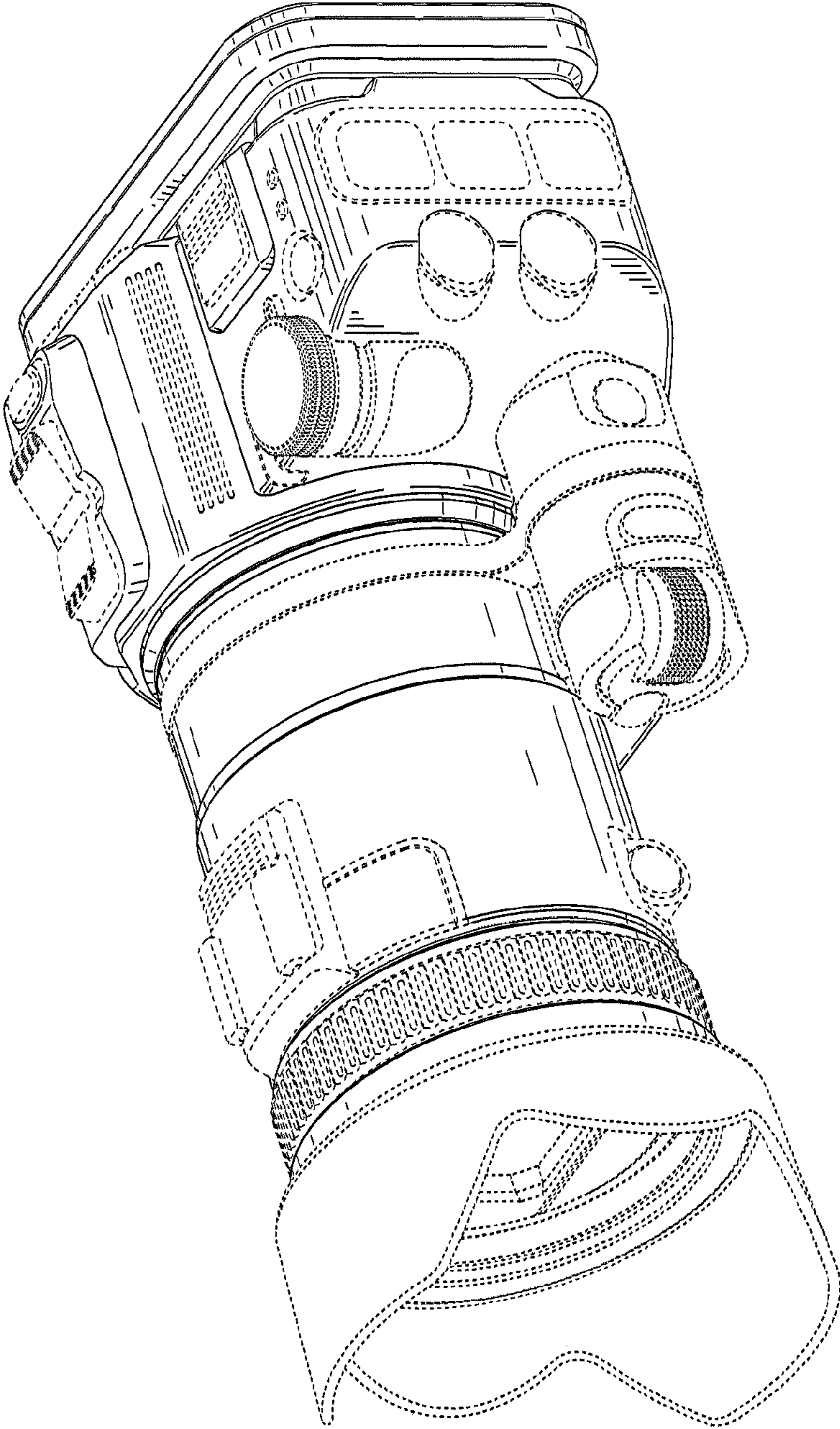


FIG. 1

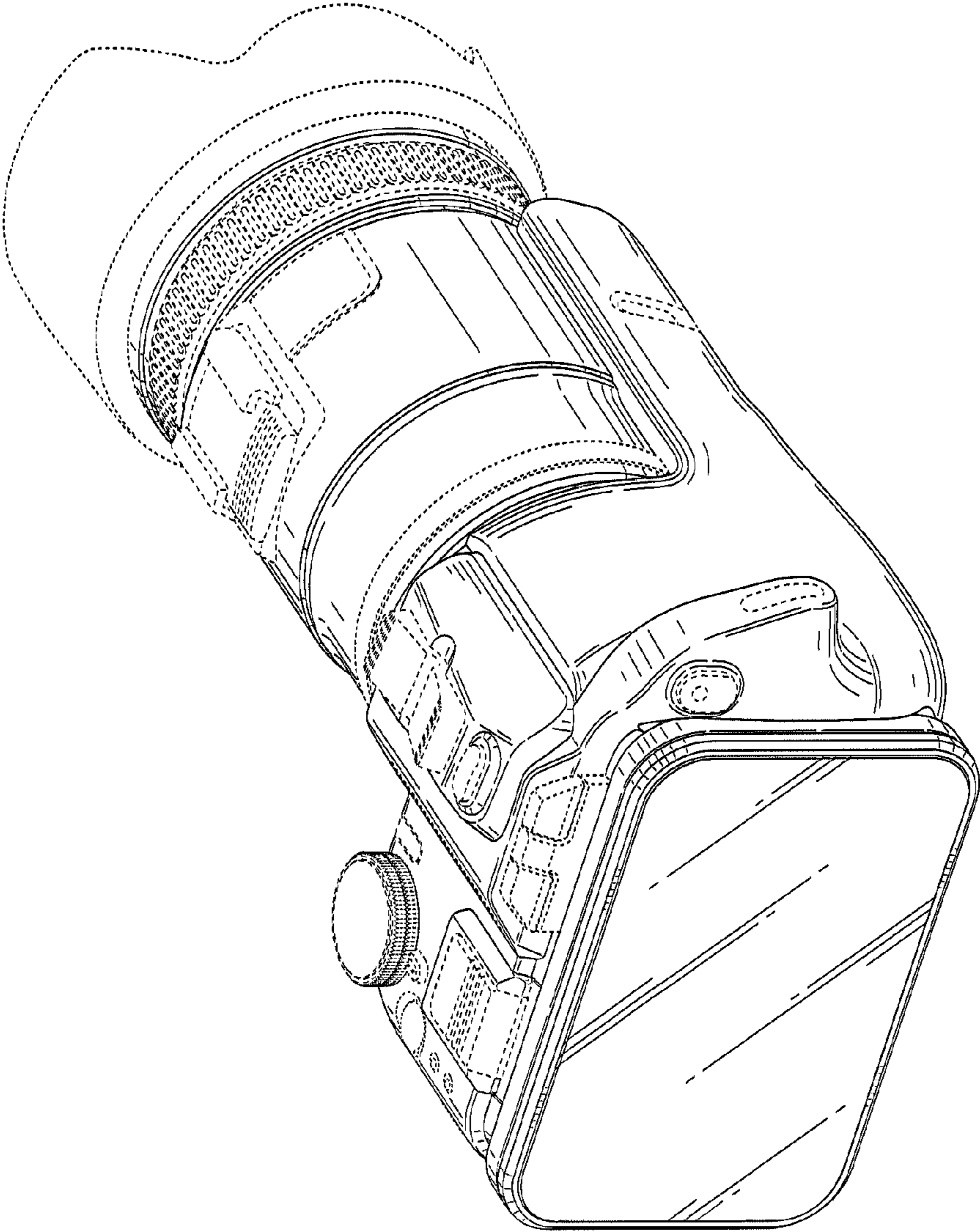


FIG. 2

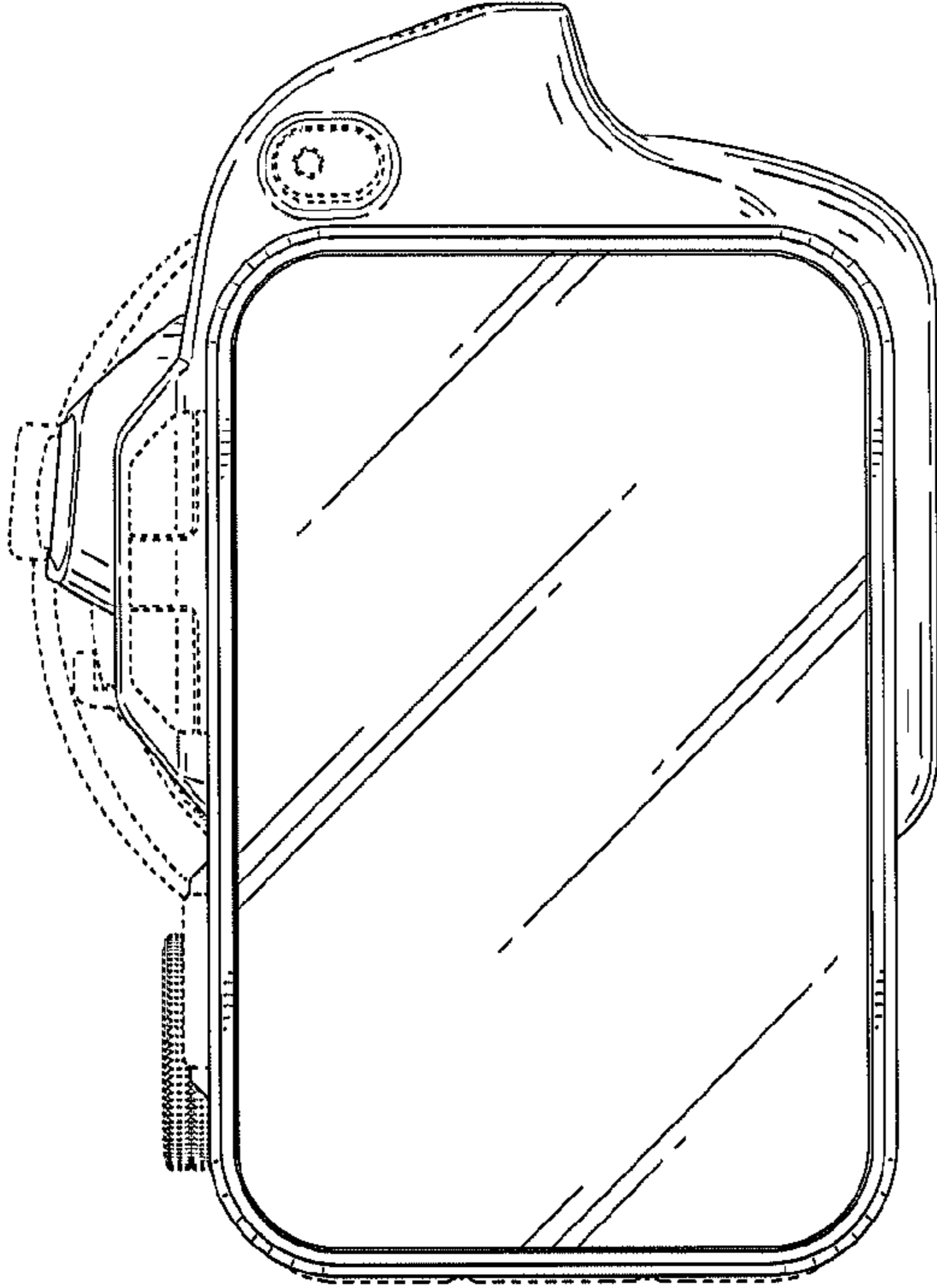


FIG. 4

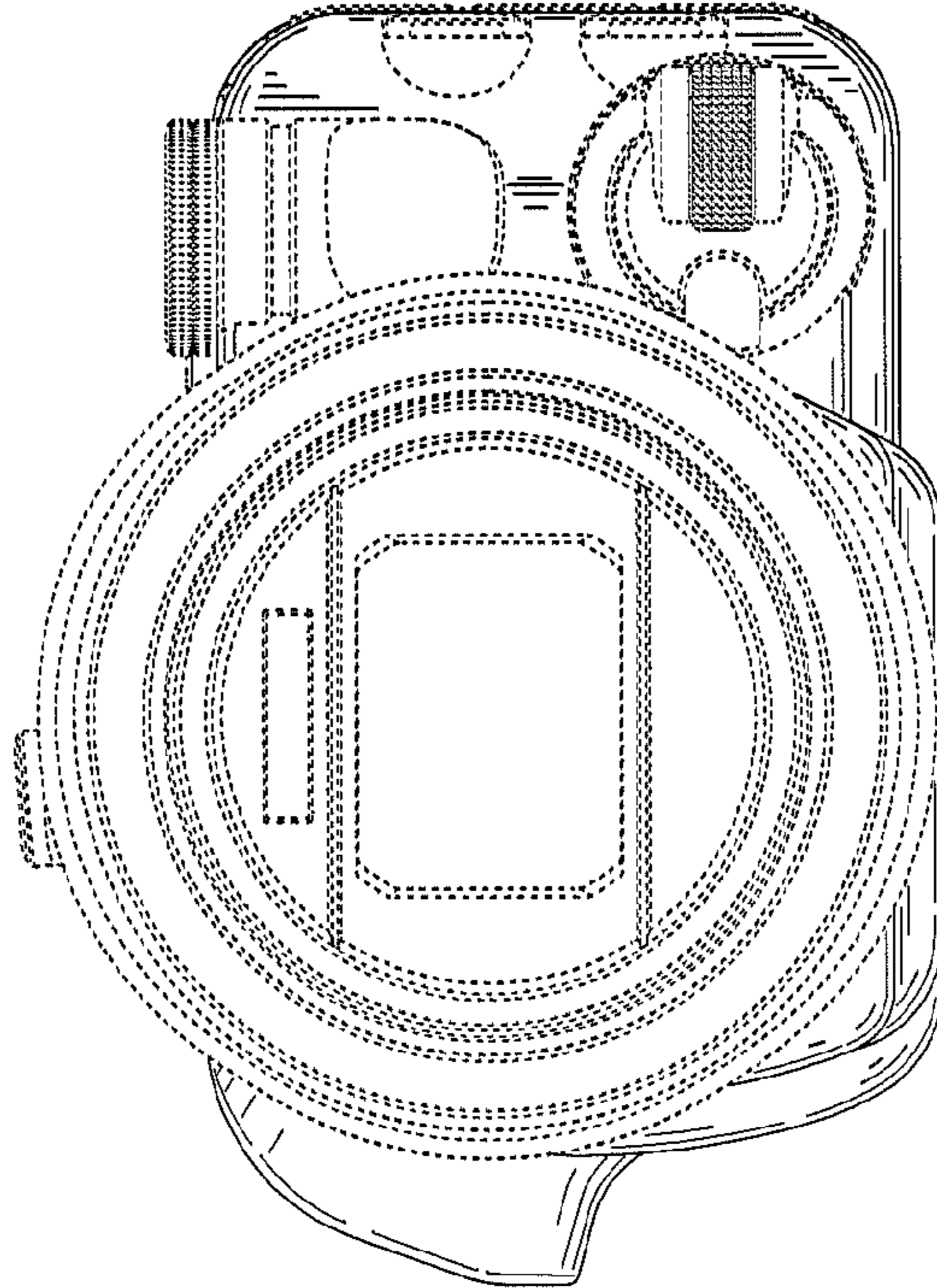


FIG. 3

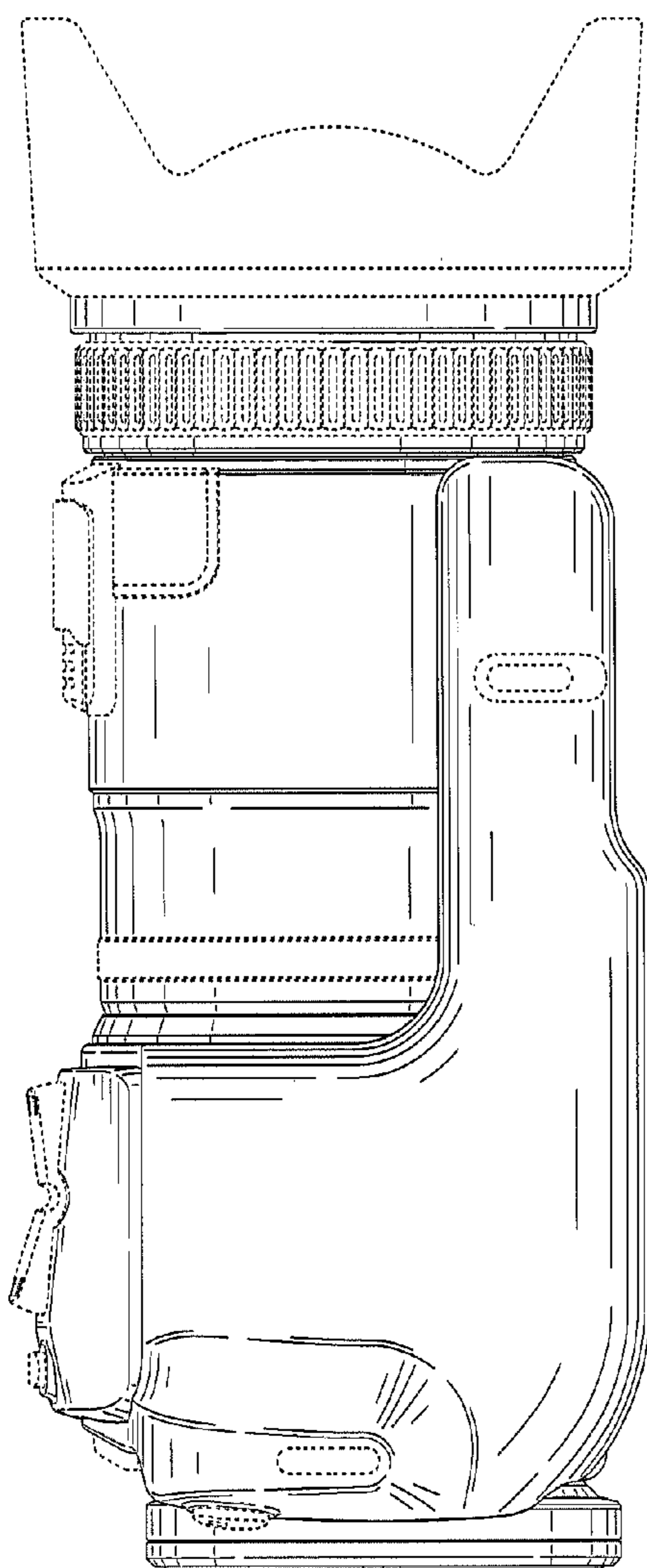


FIG. 5

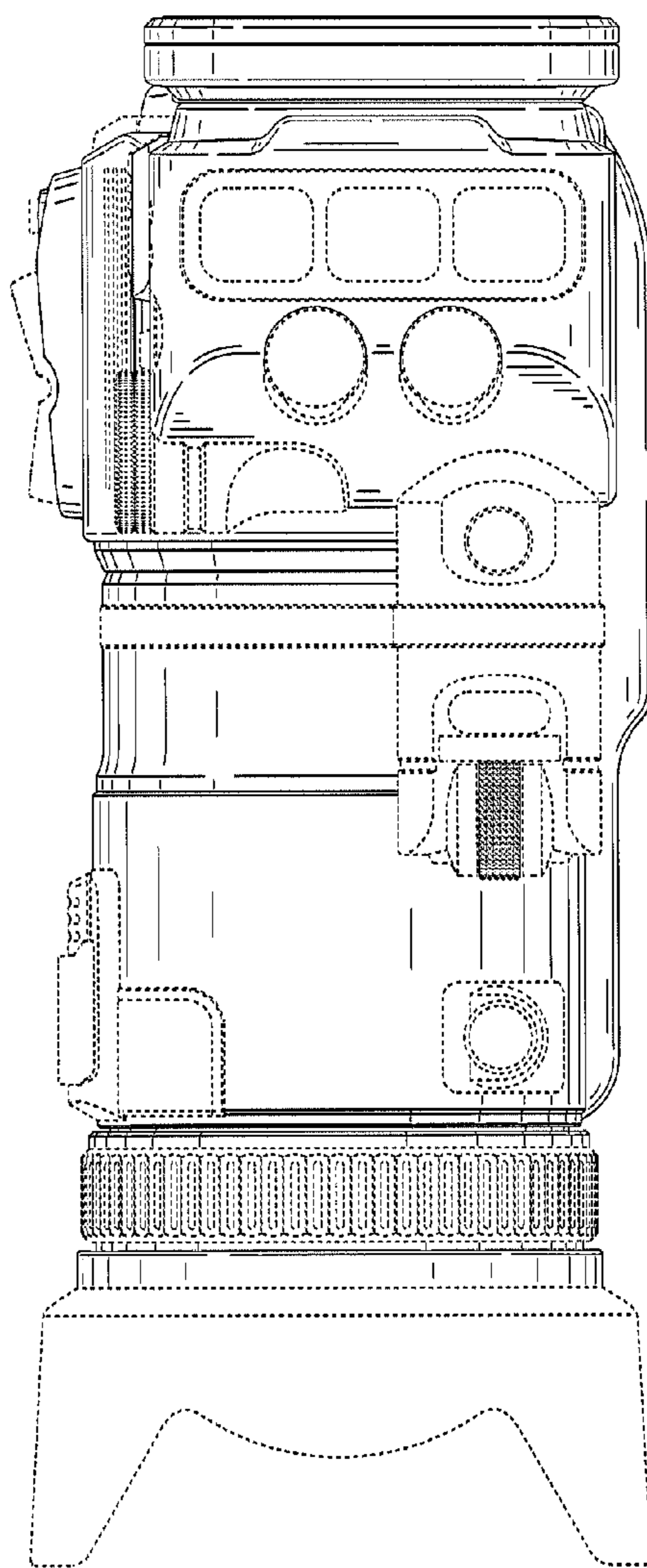


FIG. 6

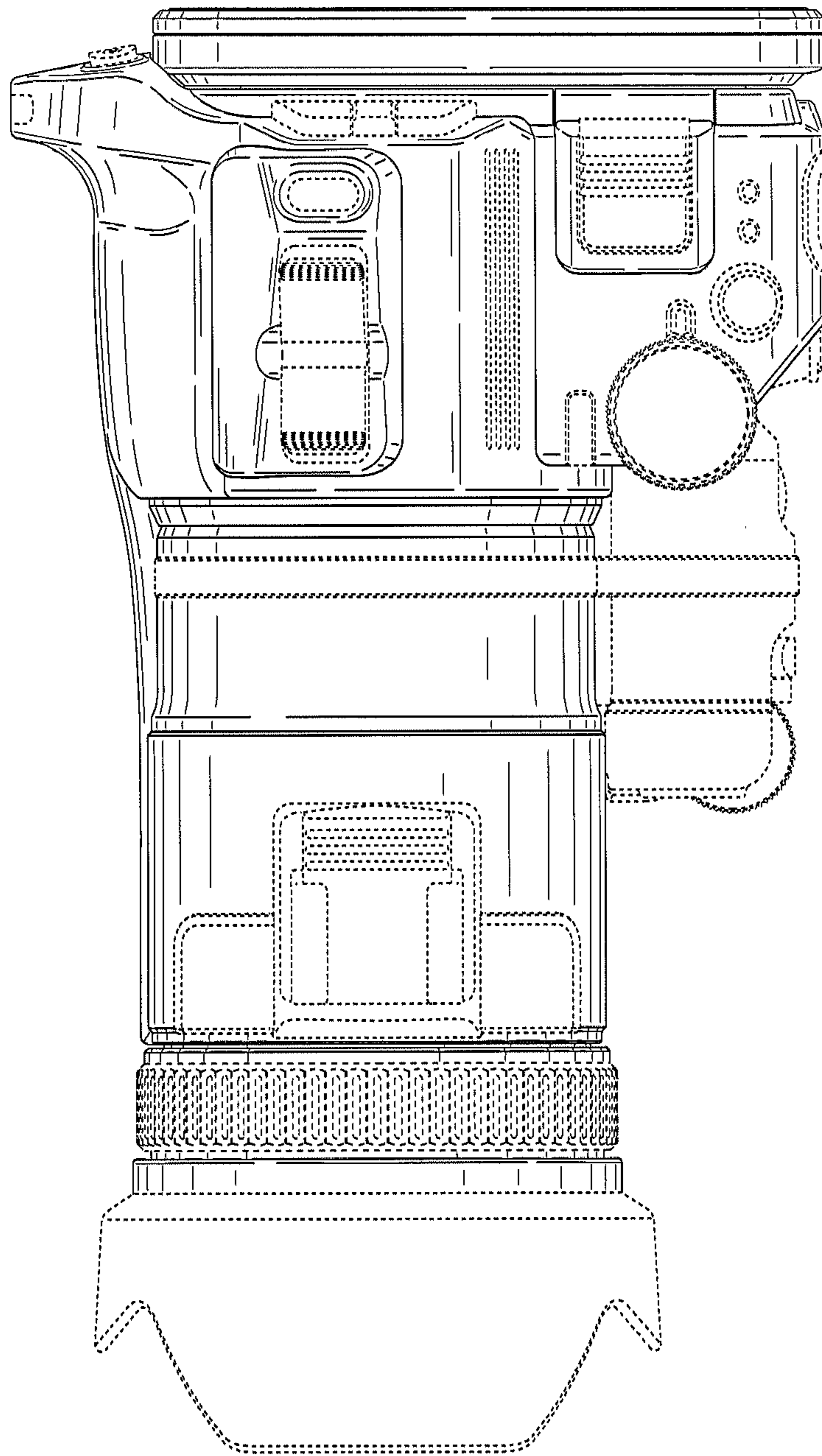


FIG. 7

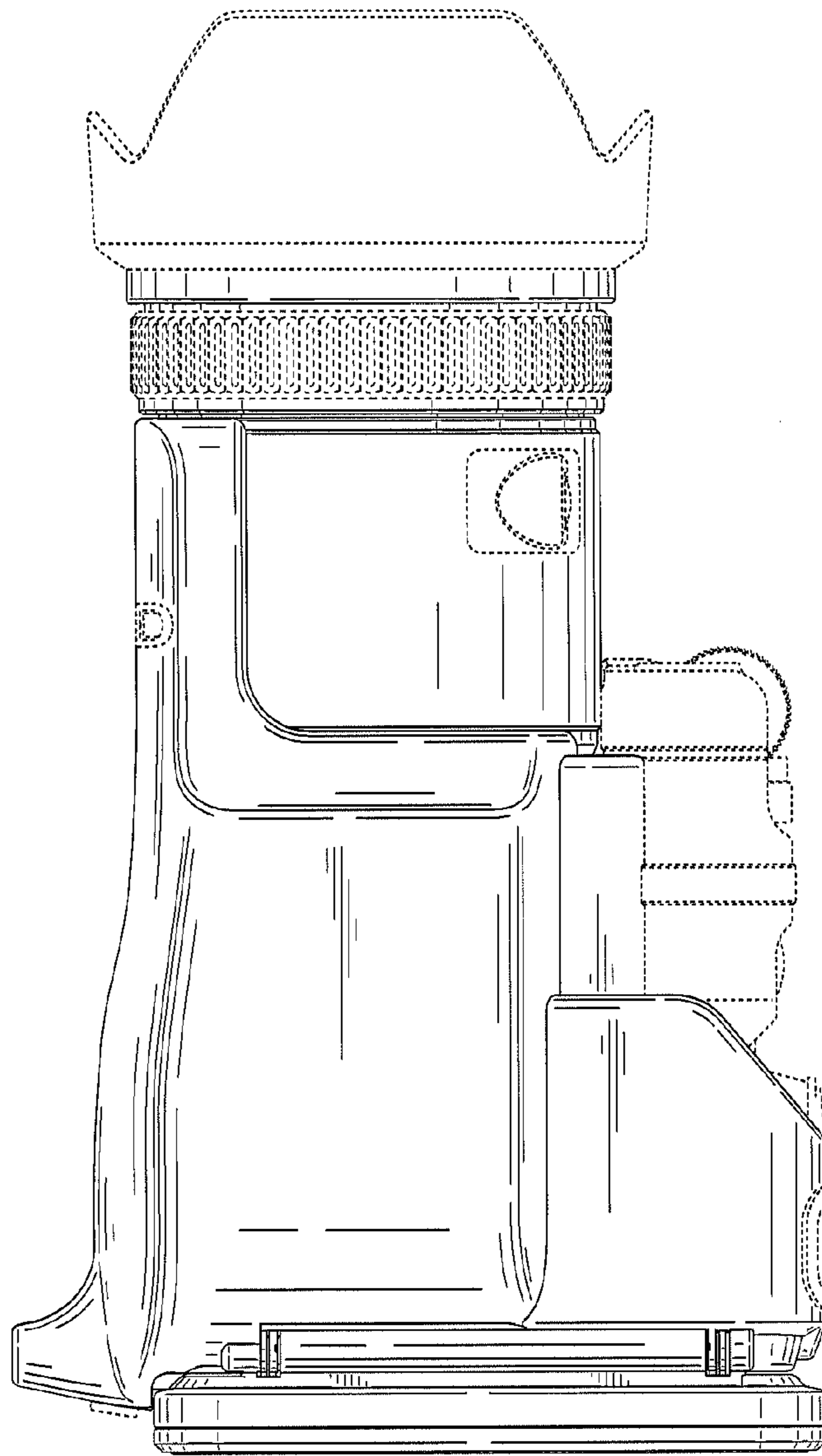


FIG. 8