

US00D697957S

(12) **United States Design Patent**
Glasse et al.

(10) **Patent No.:** **US D697,957 S**
(45) **Date of Patent:** **** *Jan. 21, 2014**

(54) **PANORAMIC AFOCAL ATTACHMENT**

(76) Inventors: **Jeffrey Glasse**, New York, NY (US);
David Sosnow, Brooklyn, NY (US);
Joshua Hartung, Moscow, ID (US)

(*) Notice: This patent is subject to a terminal disclaimer.

(**) Term: **14 Years**

(21) Appl. No.: **29/398,615**

(22) Filed: **Aug. 2, 2011**

(51) **LOC (10) Cl.** **16-06**

(52) **U.S. Cl.**
USPC **D16/134**

(58) **Field of Classification Search**
USPC D16/130, 134, 135, 202; D3/318;
D21/330; D14/217, 238.1, 244, 247,
D14/224.1, 252; 359/809, 811, 816, 818,
359/819, 827; 455/90.3, 575.1

See application file for complete search history.

(56) **References Cited**

U.S. PATENT DOCUMENTS

2,718,815	A *	9/1955	Manning	359/442
2,746,346	A *	5/1956	Gaire	359/442
D178,766	S *	9/1956	Cressaty	D16/135
D178,909	S *	10/1956	Wittel et al.	D16/134
D181,321	S *	10/1957	Stowell	D9/418
D211,369	S *	6/1968	Hitchcock	D19/88
D243,329	S *	2/1977	Snarski	D16/135
4,354,063	A *	10/1982	Kuka	379/433.04
5,473,474	A	12/1995	Powell		
6,222,683	B1	4/2001	Hoogland et al.		
6,389,268	B1 *	5/2002	Snyder	455/90.1

D460,495	S *	7/2002	Naghi et al.	D21/333
6,646,818	B2	11/2003	Doi		
D499,091	S *	11/2004	Taylor et al.	D14/252
6,889,006	B2 *	5/2005	Kobayashi	396/6
7,019,918	B2	3/2006	Wallerstein et al.		
D521,232	S *	5/2006	Andre et al.	D3/218
D542,785	S *	5/2007	Chung et al.	D14/252
D589,531	S *	3/2009	Fullerton	D14/496
7,570,437	B2	8/2009	Gal et al.		
D626,745	S *	11/2010	Roman	D3/269
8,073,324	B2 *	12/2011	Tsai	396/544
D658,164	S *	4/2012	Chan	D14/238.1
D672,798	S *	12/2012	Leanza	D16/130
8,385,004	B2 *	2/2013	Hicks	359/699

* cited by examiner

Primary Examiner — Paula Greene

(74) *Attorney, Agent, or Firm* — Joseph P. Kincart; Ideation Law PLLC

(57) **CLAIM**

The ornamental design for a panoramic afocal attachment, as shown and described.

DESCRIPTION

FIG. 1 is a front, perspective view of the new ornamental design.

FIG. 2 is a rear, perspective view of the design.

FIG. 3 is a front view of the design.

FIG. 4 is a back view of the design.

FIG. 5 is a top view of the design.

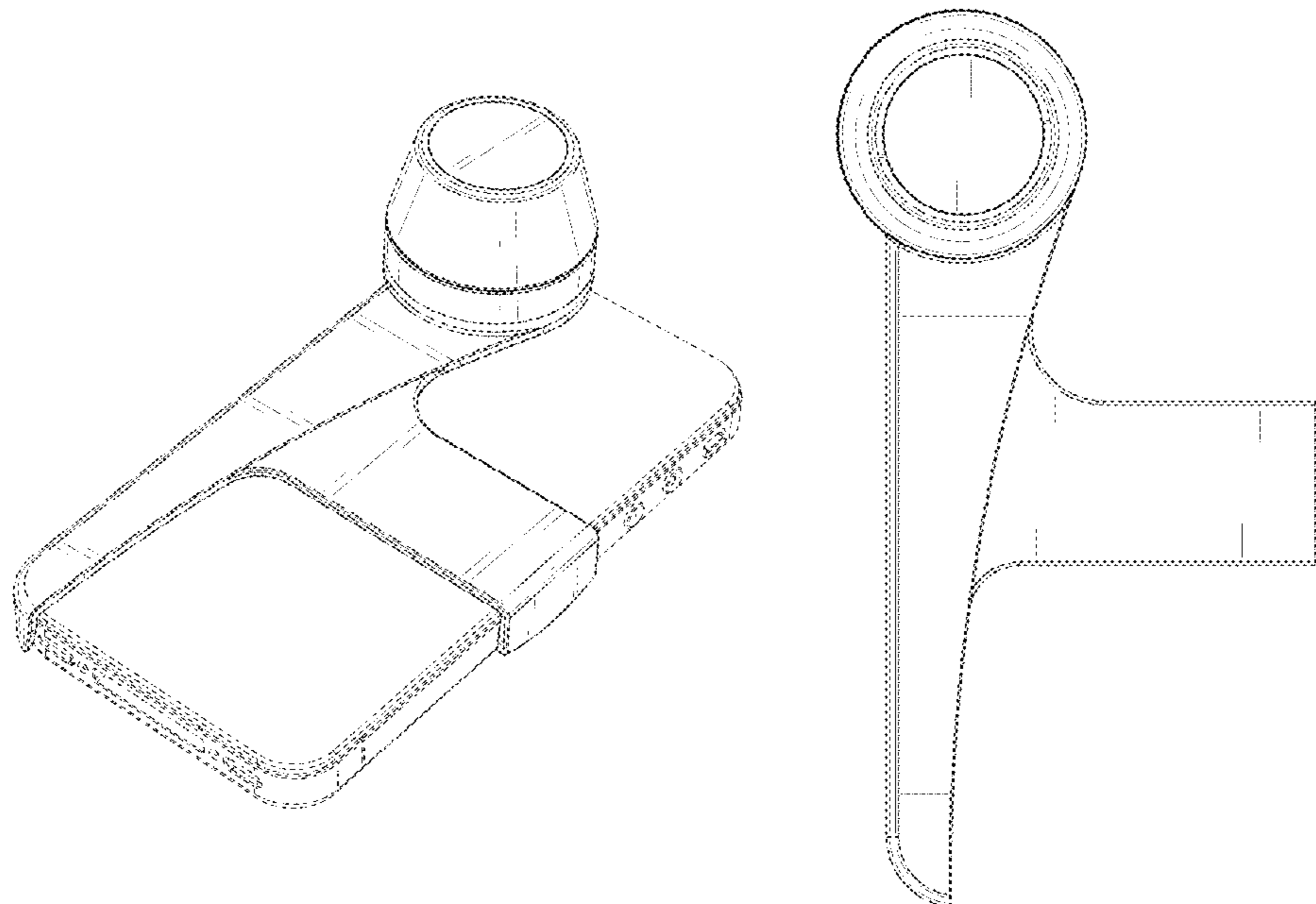
FIG. 6 is a bottom view of the design.

FIG. 7 is a left, side view of the design; and,

FIG. 8 is a right, side view of the design.

The broken lines that define the bounds of the claimed design form no part thereof.

1 Claim, 7 Drawing Sheets



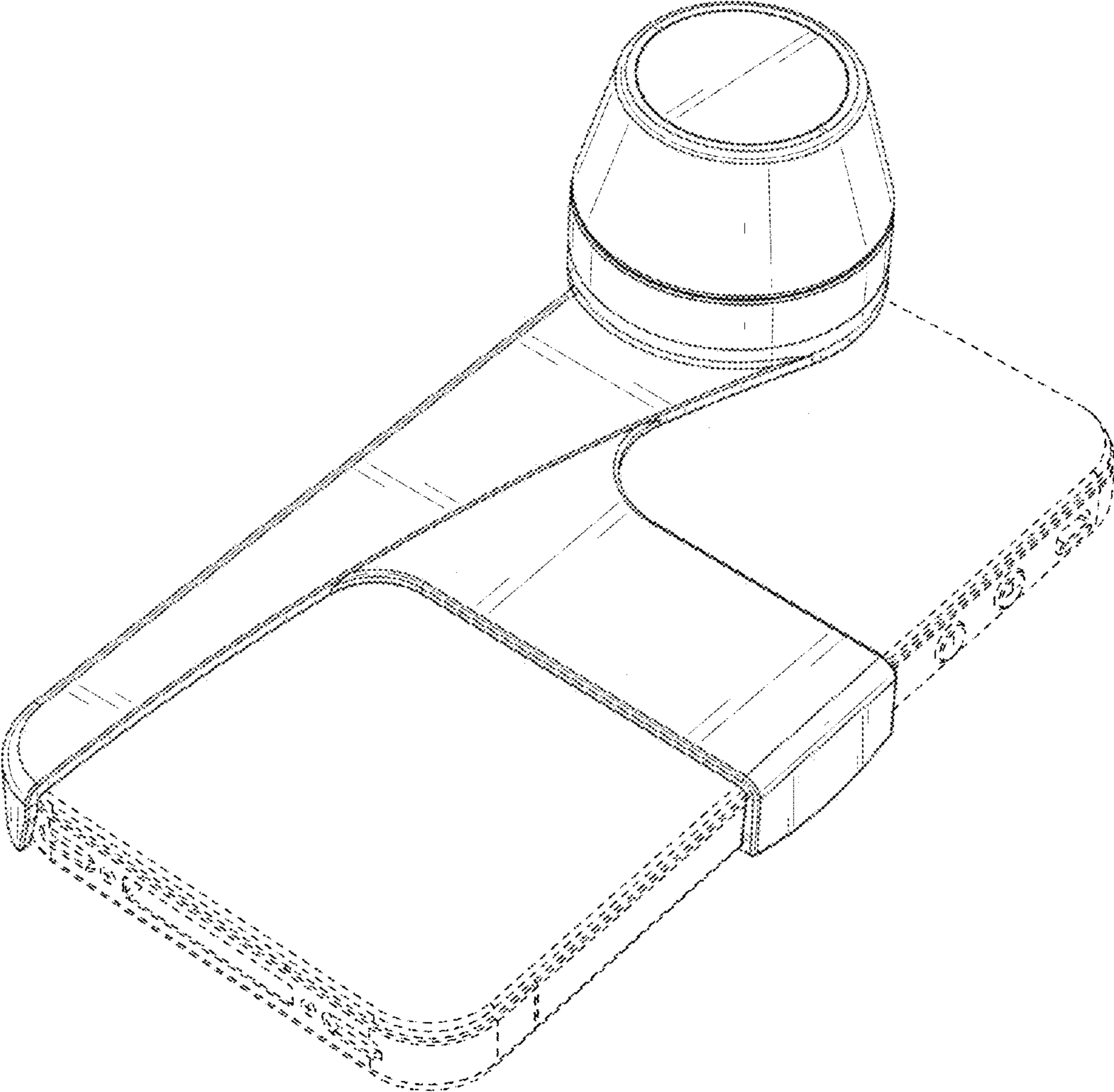


FIG. 1

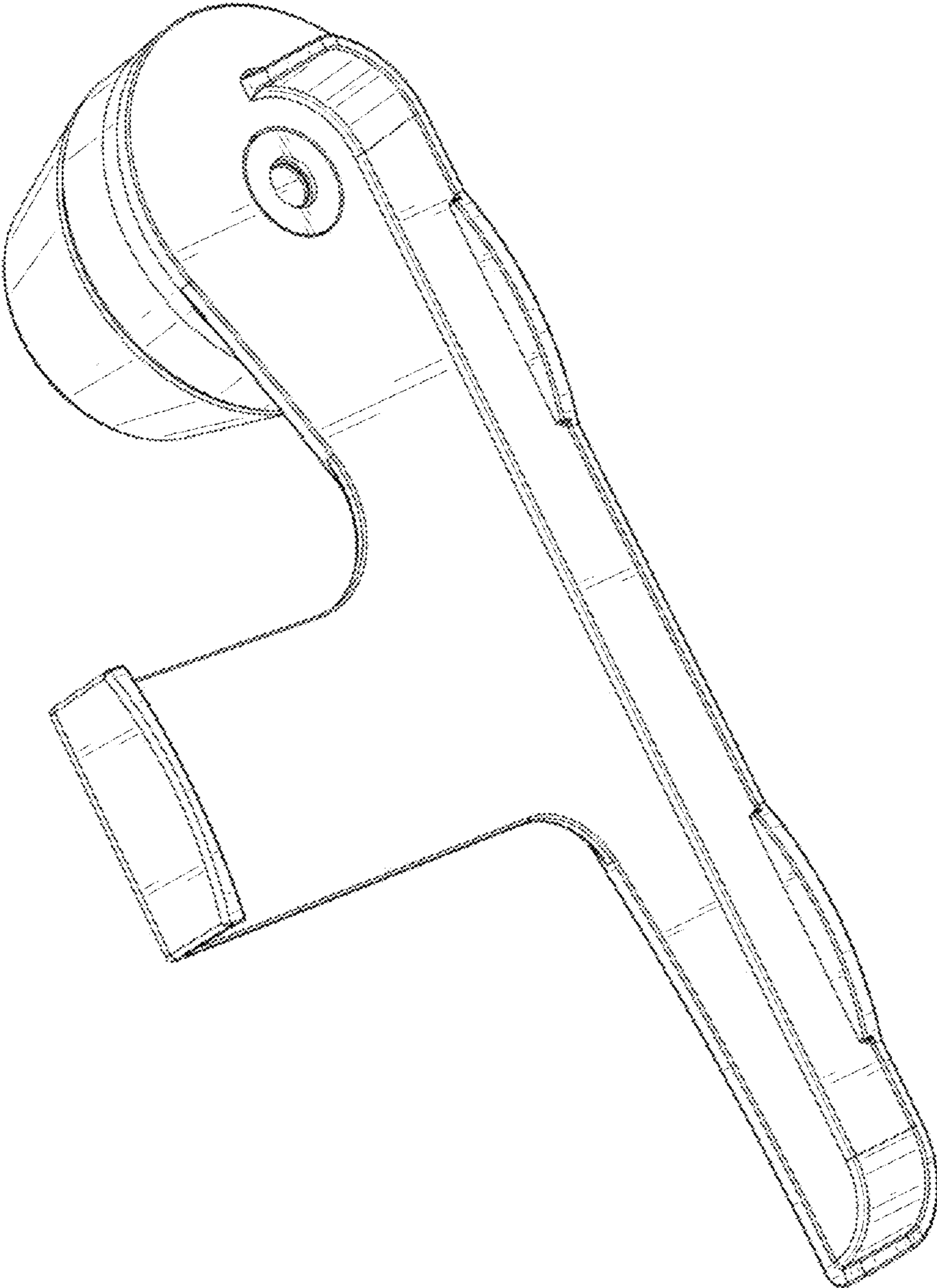


FIG. 2

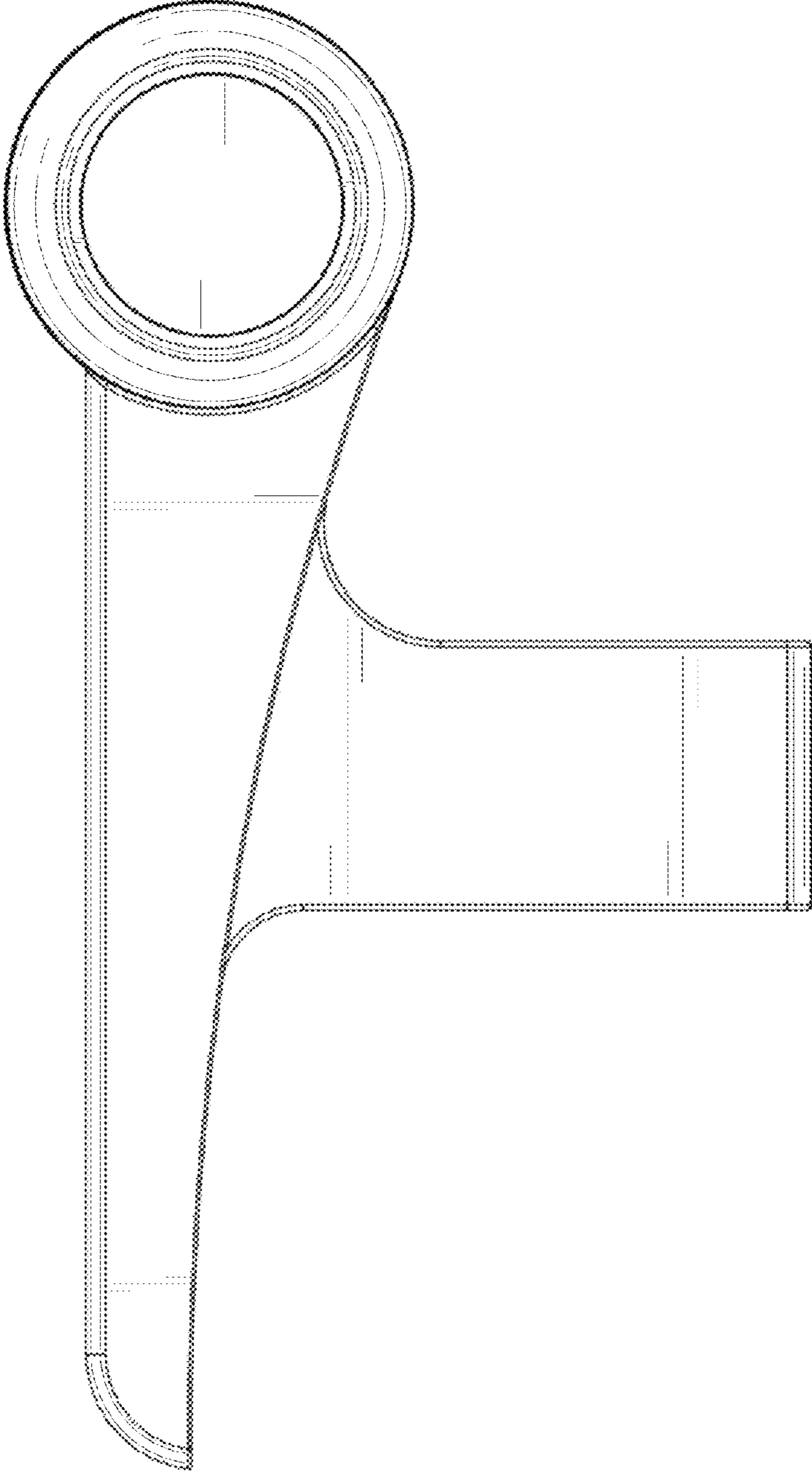


FIG. 3

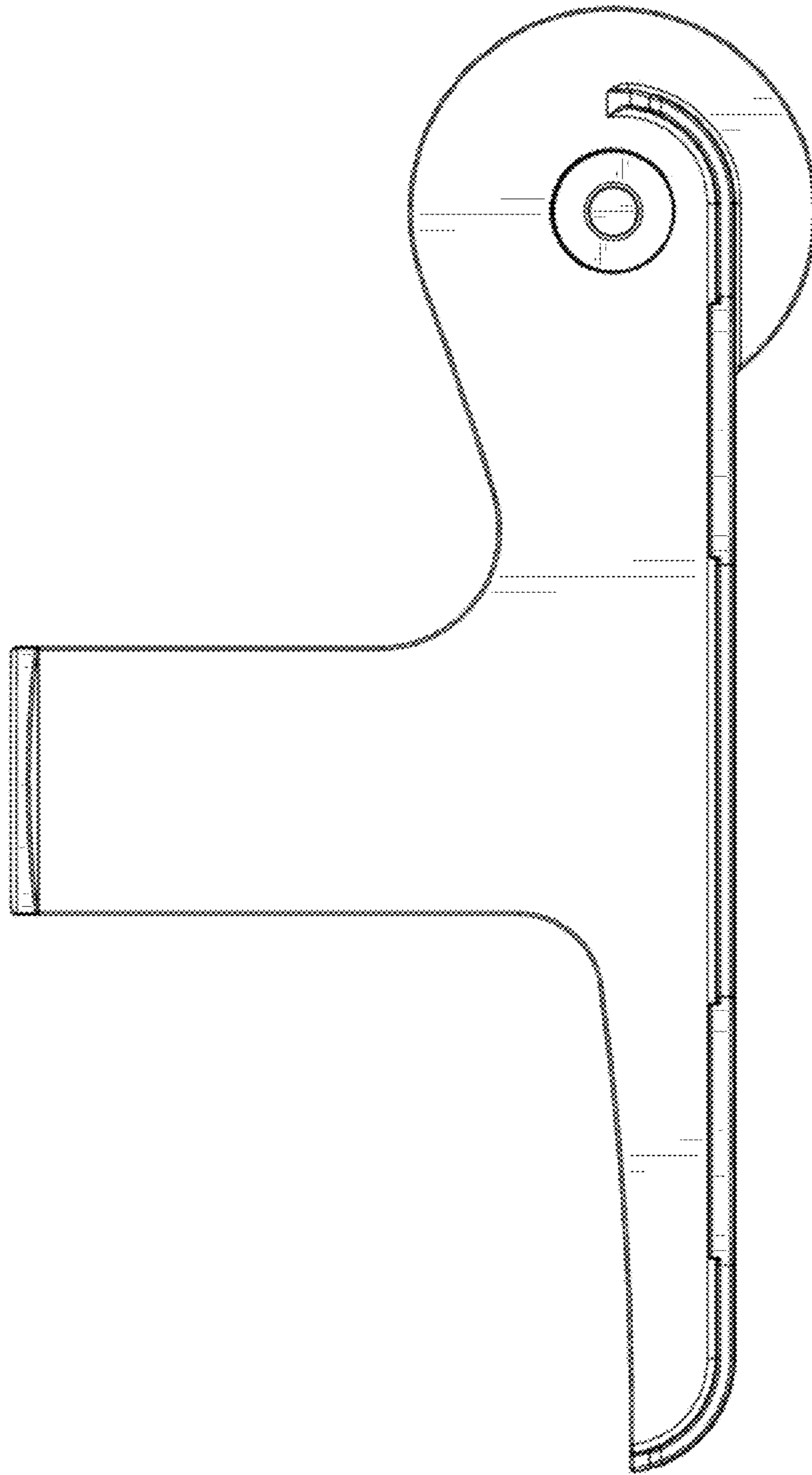


FIG. 4

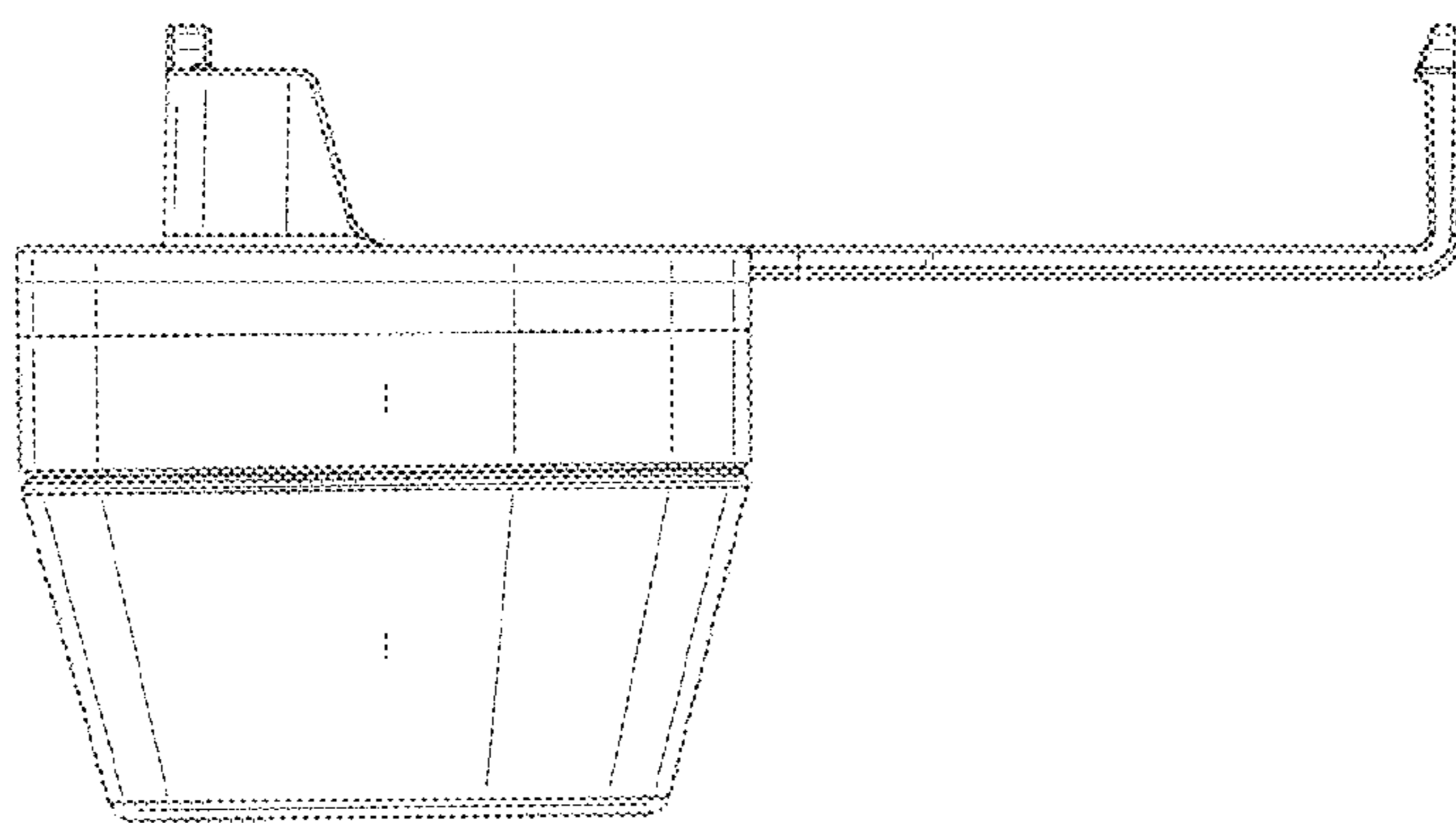


FIG. 5

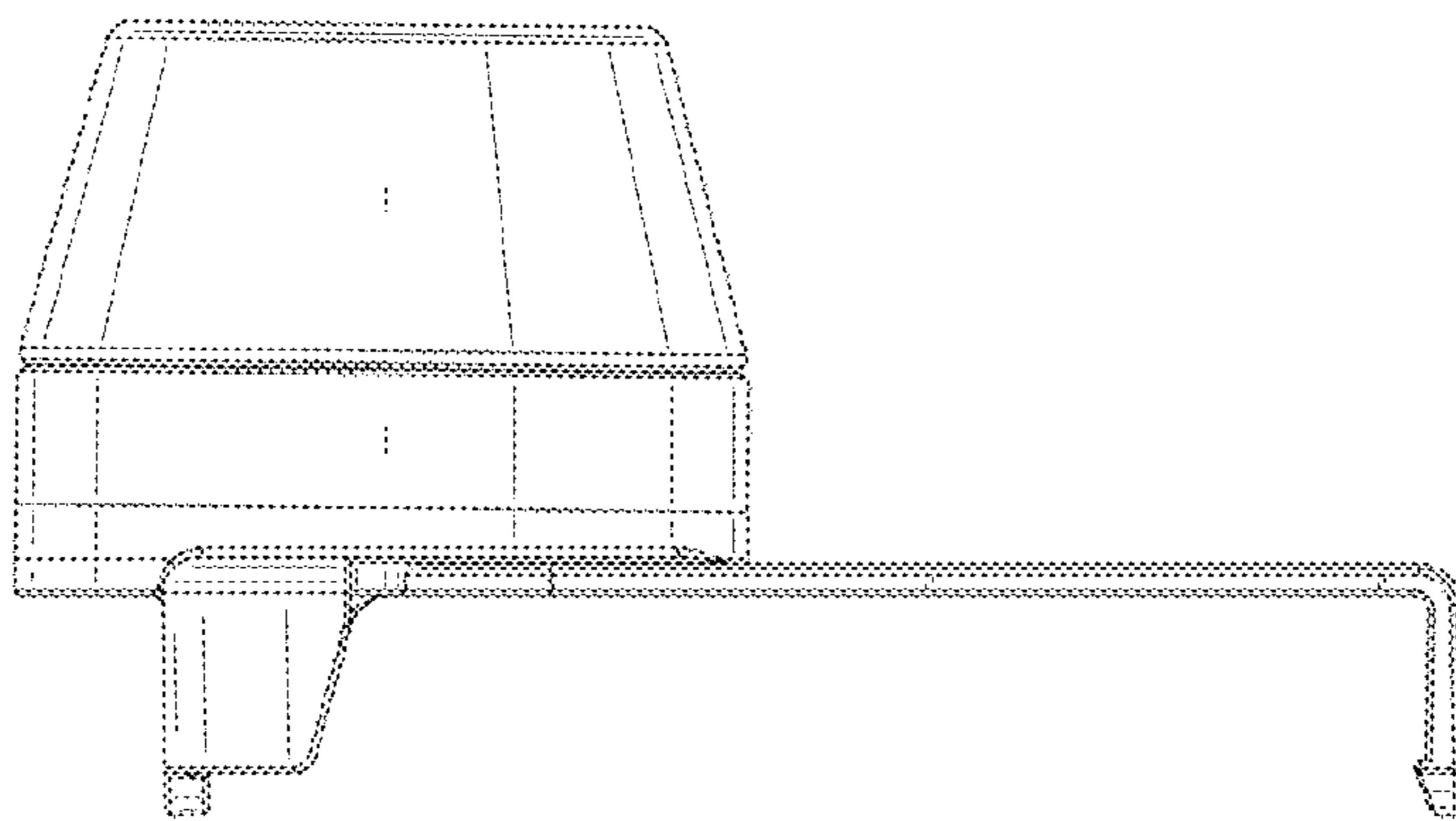


FIG. 6

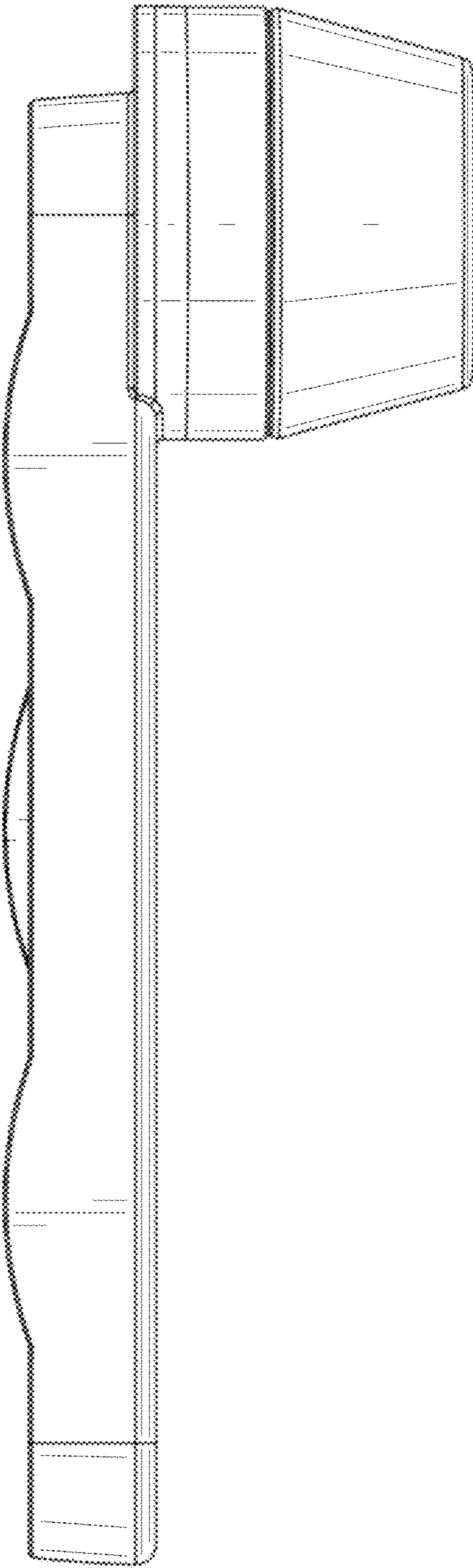


FIG. 7

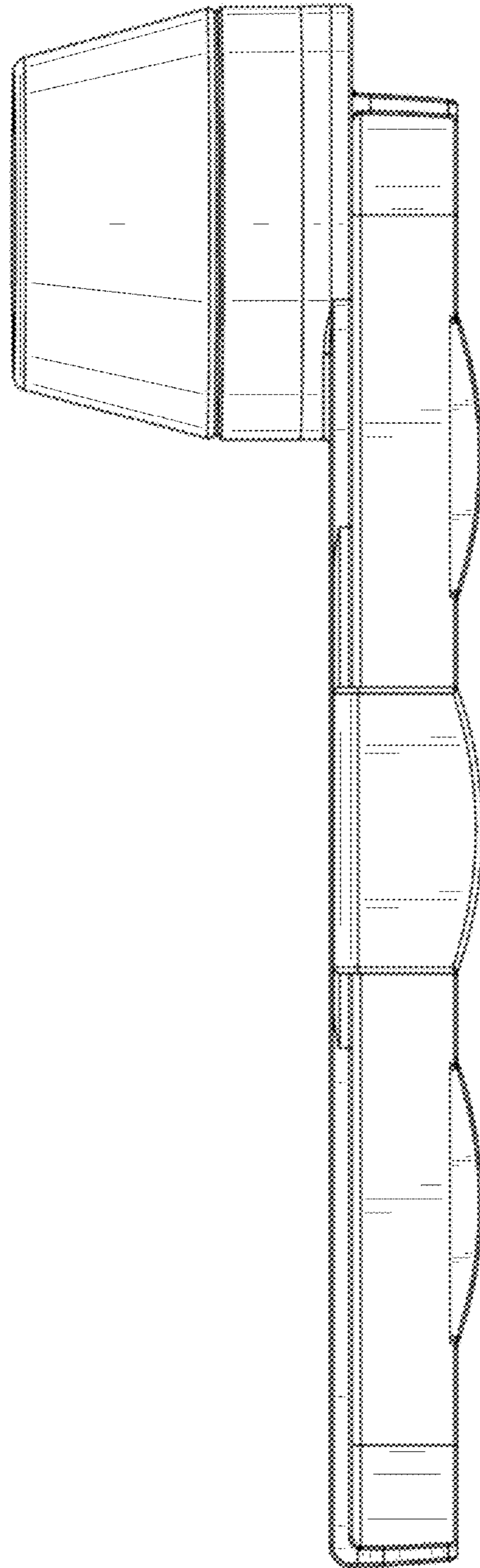


FIG. 8