



US00D697956S

(12) **United States Design Patent**
Davis et al.

(10) **Patent No.:** **US D697,956 S**
(45) **Date of Patent:** **** Jan. 21, 2014**

- (54) **ULTRASONIC WELDING SHEATH**
- (71) Applicant: **Tesa Tape Inc.**, Charlotte, NC (US)
- (72) Inventors: **Sean Davis**, Tokyo (JP); **Emmett Yaksich**, Farmington Hills, MI (US)
- (73) Assignee: **Tesa Tape Inc.**, Charlotte, NC (US)
- (**) Term: **14 Years**
- (21) Appl. No.: **29/443,955**
- (22) Filed: **Jan. 24, 2013**
- (51) **LOC (10) Cl.** **15-09**
- (52) **U.S. Cl.**
USPC **D15/144**
- (58) **Field of Classification Search**
USPC D8/29.1, 30; D15/144, 144.1, 144.2;
29/611; 174/10, 20, 22 R; 219/68, 70,
219/75, 86.21, 90, 121.36, 121.38, 121.39,
219/121.44, 121.48, 121.5, 121.51, 121.56,
219/123, 137.31, 137.2, 137.44, 137.7,
219/137.8, 138, 141, 234
See application file for complete search history.

- (56) **References Cited**
U.S. PATENT DOCUMENTS
3,732,352 A * 5/1973 Dima et al. 174/10
4,518,016 A * 5/1985 Baker 138/96 R
4,667,063 A * 5/1987 Ball 174/73.1
4,891,489 A * 1/1990 Bollinger et al. 219/121.48
D369,648 S * 5/1996 Fowler D8/70
D385,819 S * 11/1997 Chen D10/119.3
5,856,647 A * 1/1999 Luo 219/121.5
D455,621 S * 4/2002 Cheng D8/30
D456,679 S * 5/2002 Cheng D8/29.1

- D456,680 S * 5/2002 Cheng D8/29.1
- 6,399,863 B2 * 6/2002 Madeley 84/380 R
- D501,632 S * 2/2005 Hewett et al. D8/30
- D502,421 S * 3/2005 Cheng D10/119.2
- D653,270 S * 1/2012 Furujo et al. D15/144
- D678,371 S * 3/2013 Wen D15/144
- 2009/0057277 A1 * 3/2009 Renault et al. 219/121.5

* cited by examiner

Primary Examiner — Patricia Palasik
(74) *Attorney, Agent, or Firm* — Norris McLaughlin & Marcus PA

(57) **CLAIM**
The ornamental design for an ultrasonic welding sheath, as shown and described.

DESCRIPTION

FIG. 1 is a perspective view showing the front and a side of the ultrasonic welding sheath;
 FIG. 2 is an elevation view of a first side of the ultrasonic welding sheath;
 FIG. 3 is an elevation view of a second side of the ultrasonic welding sheath;
 FIG. 4 is a plan view of the top of the ultrasonic welding sheath;
 FIG. 5 is a plan view of the bottom of the ultrasonic welding sheath;
 FIG. 6 is an elevation view of one end of the ultrasonic welding sheath,
 FIG. 7 is an elevation view of another end of the ultrasonic welding sheath; and,
 FIG. 8 is an elevation view of the second side of the ultrasonic welding sheath mounted upon an ultrasonic welding device.
 The broken lines in the drawings depict unclaimed environmental subject matter.

1 Claim, 5 Drawing Sheets

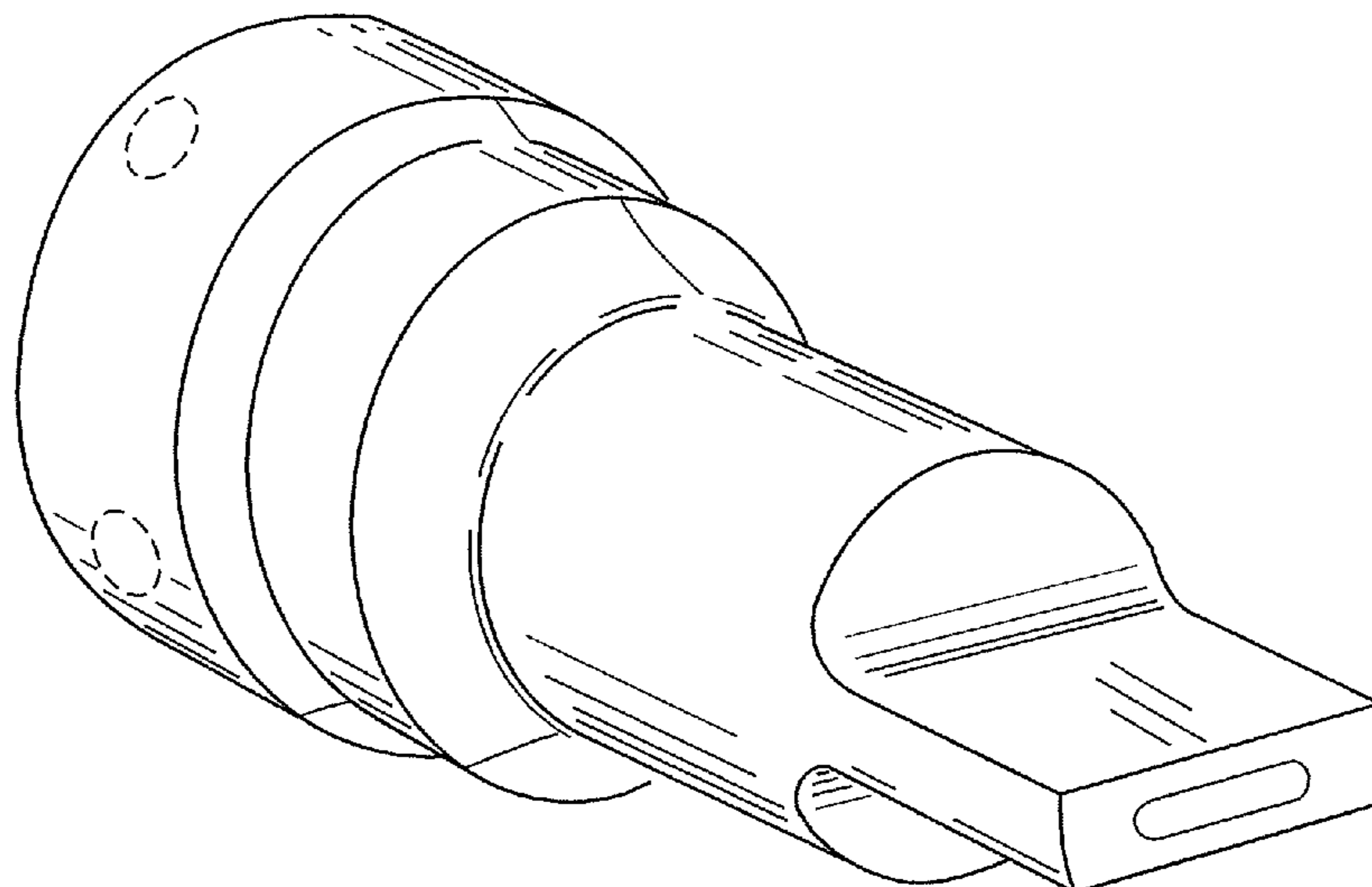


FIG. 1

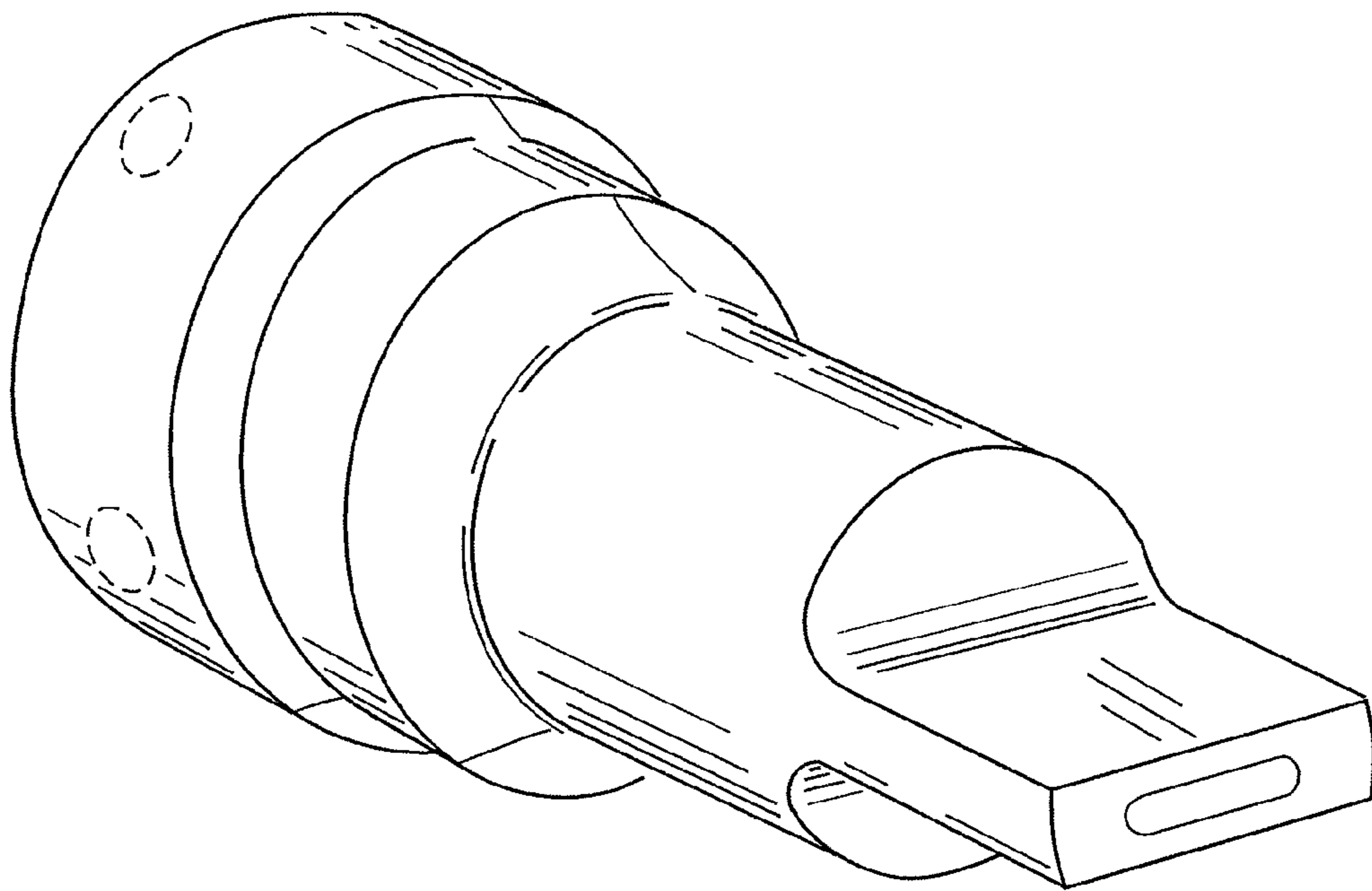


FIG. 2

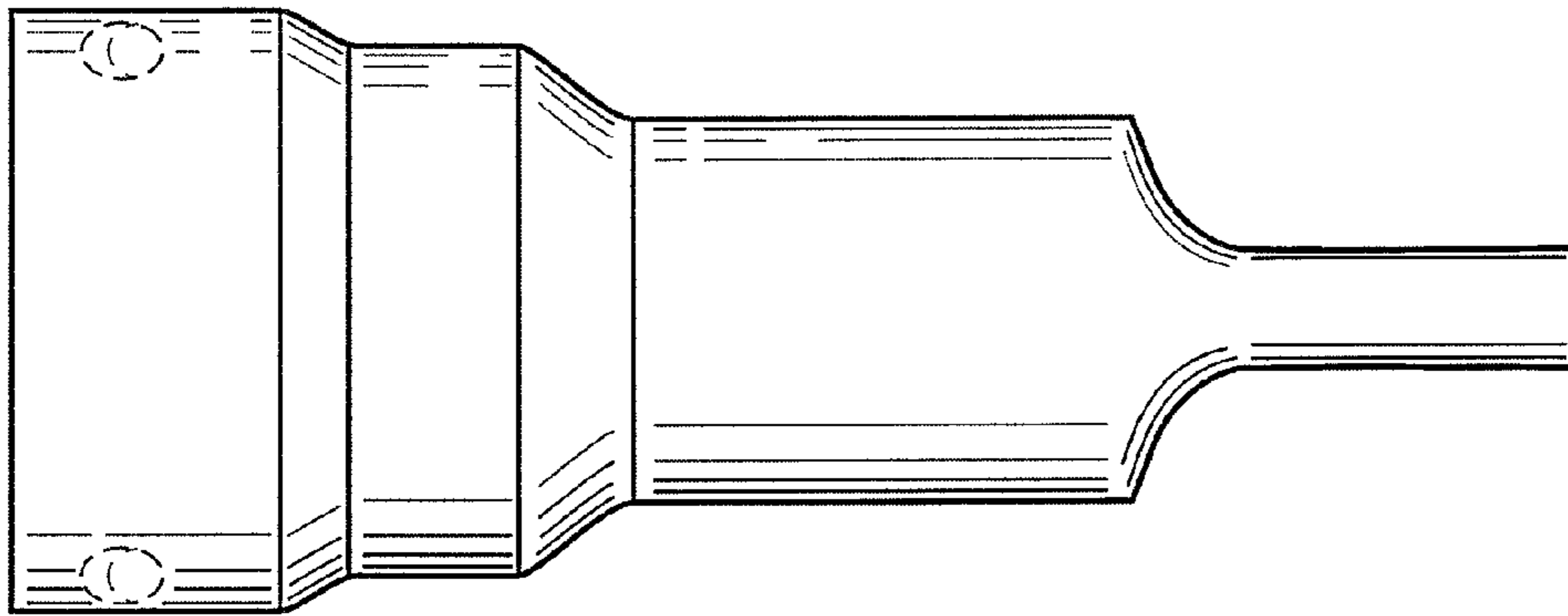


FIG. 3

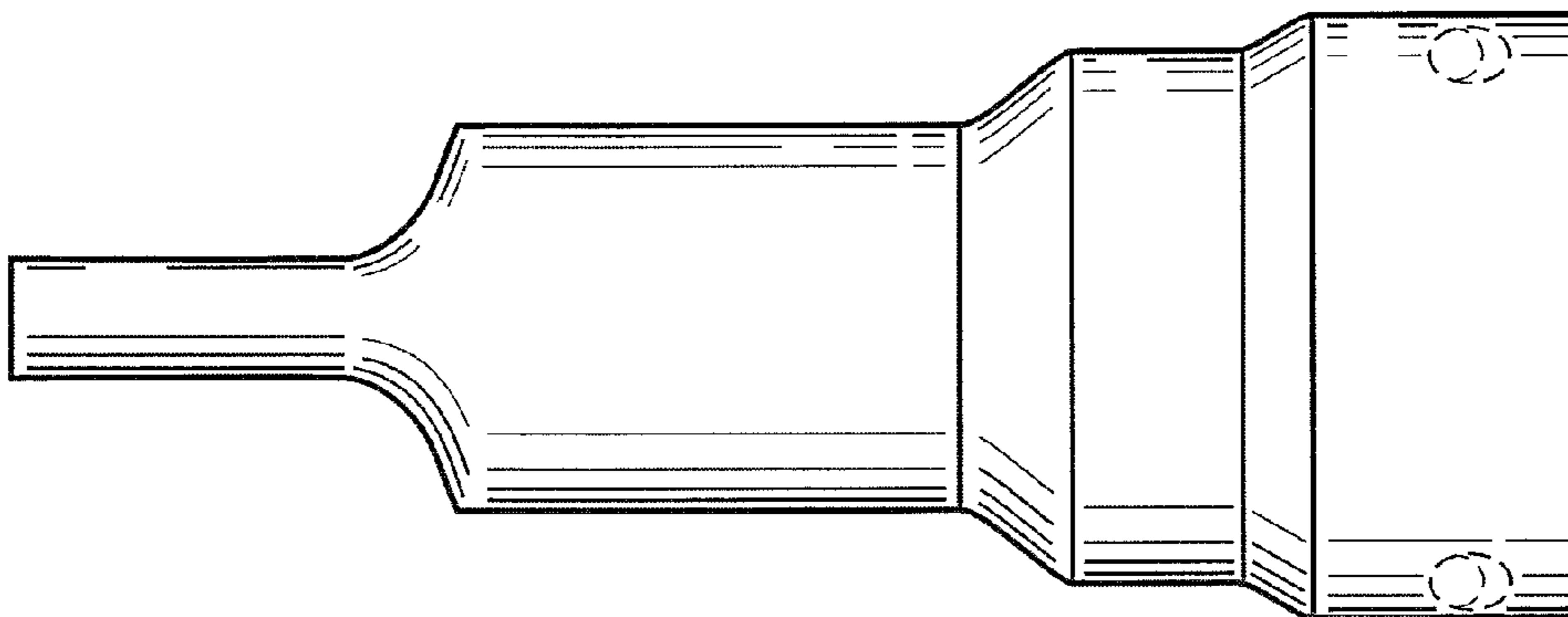


FIG. 4

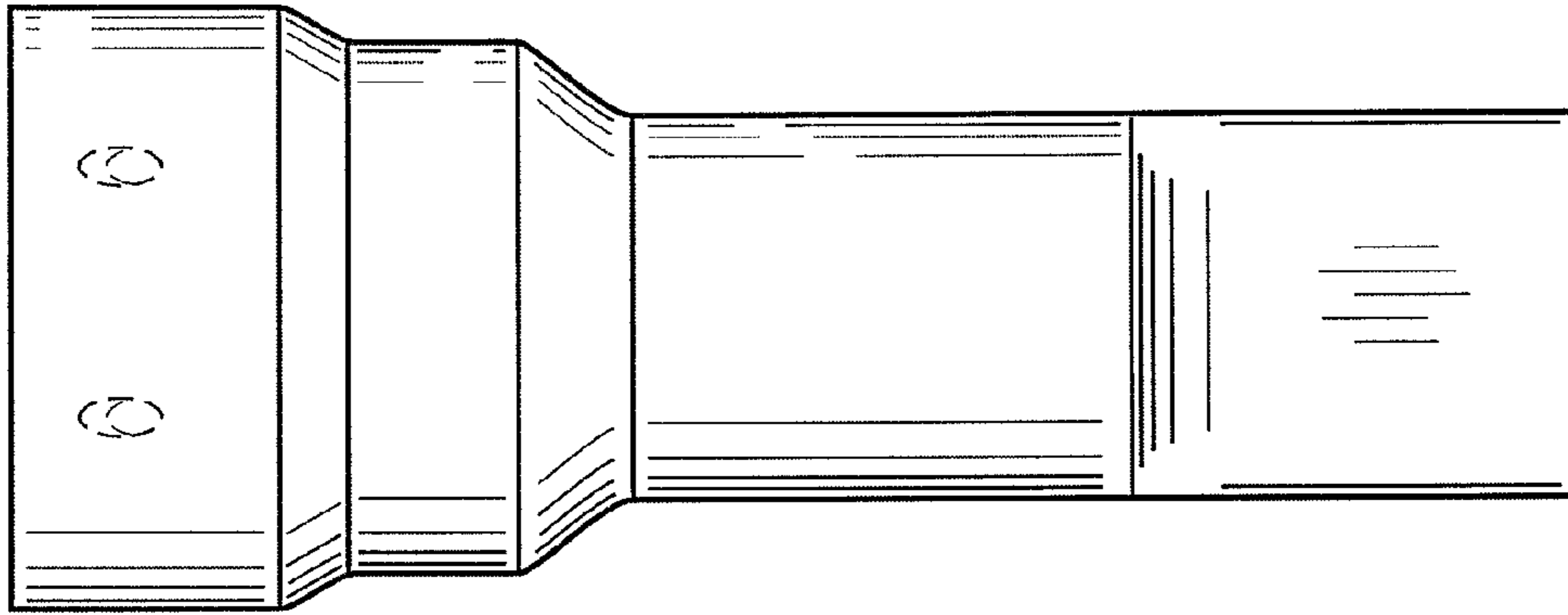


FIG. 5

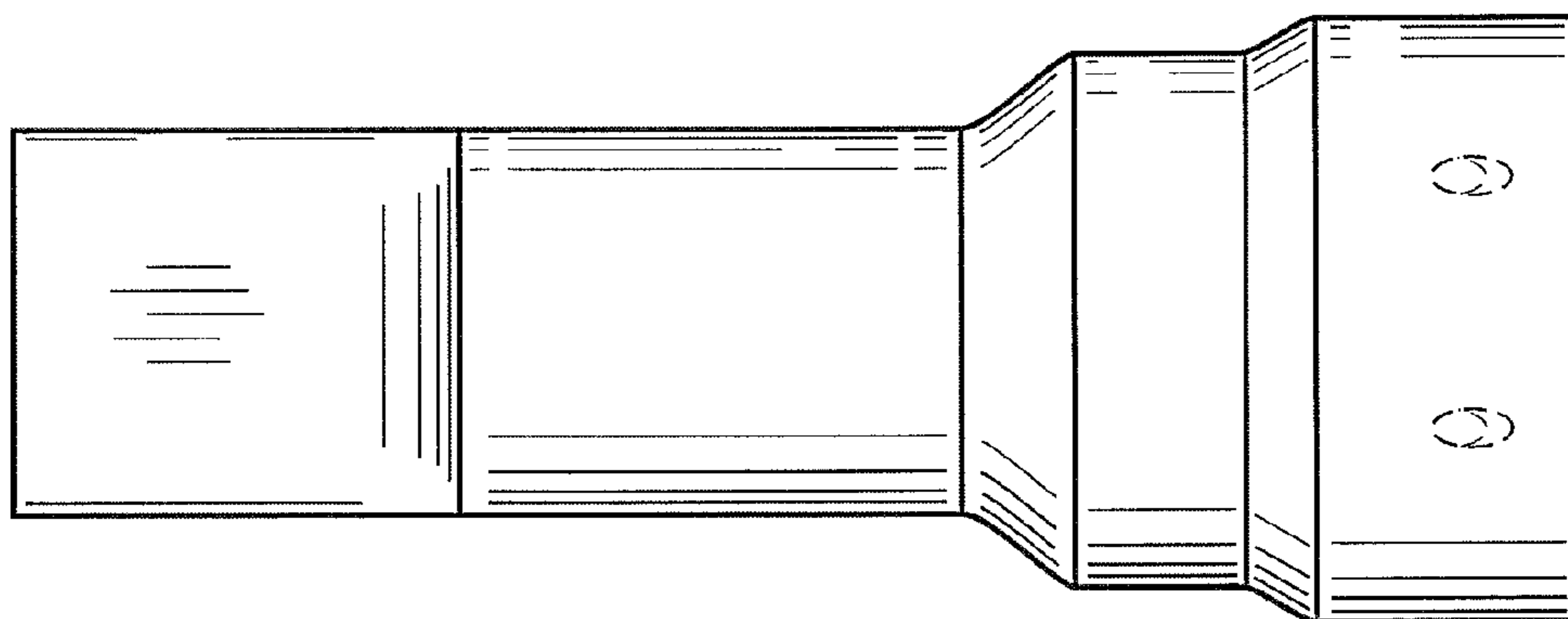


FIG. 6

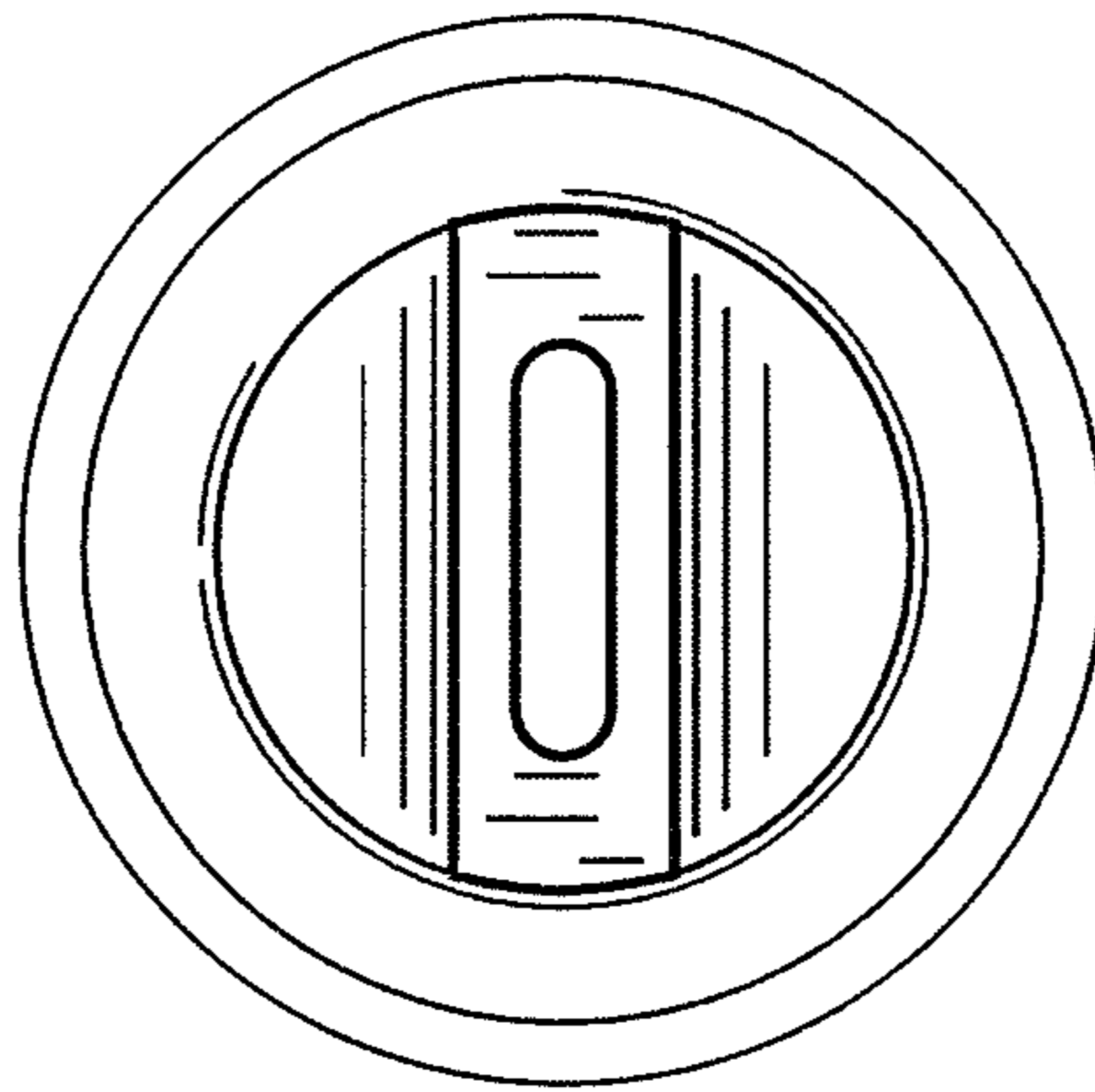


FIG. 7

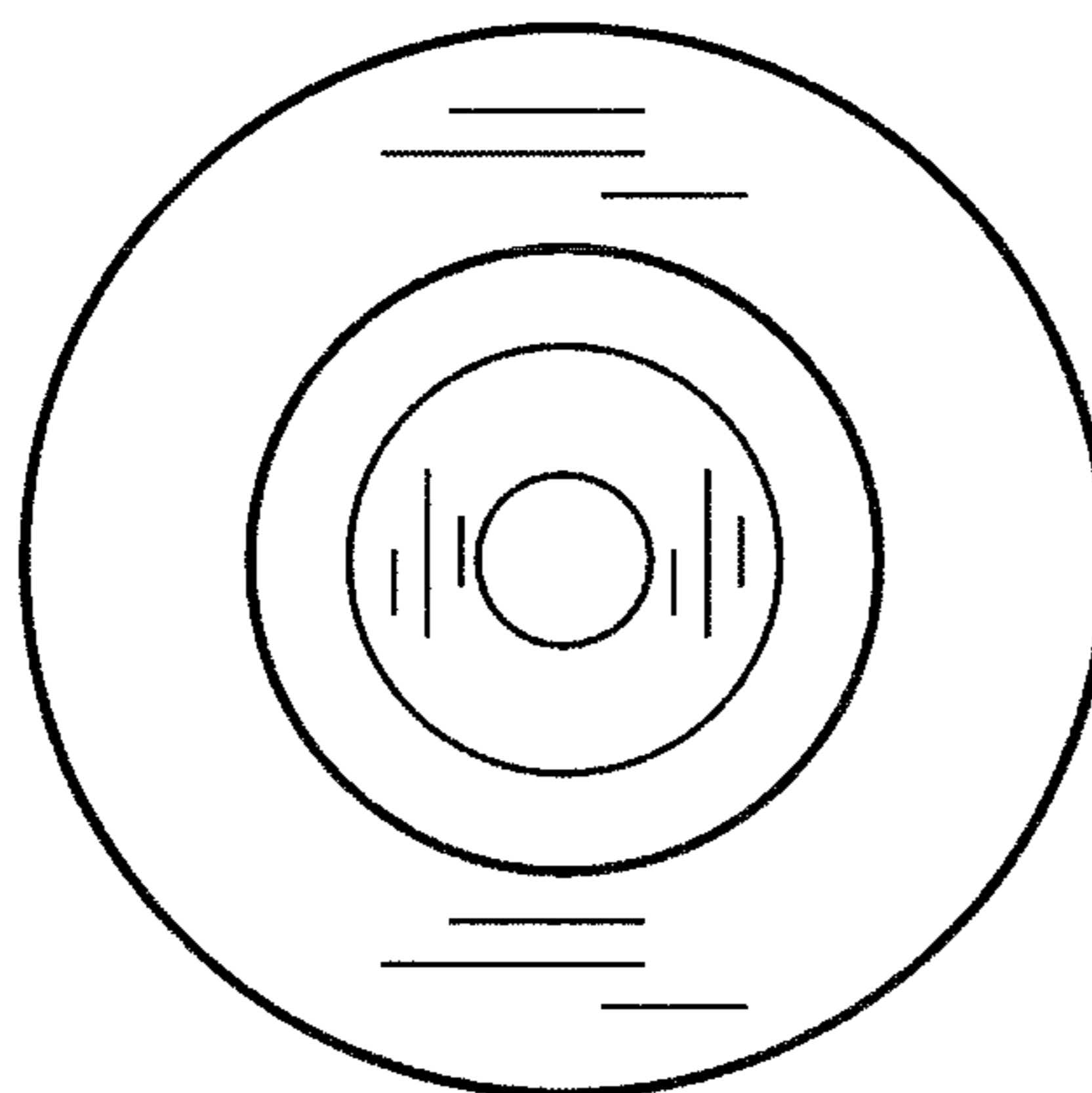


FIG. 8

