



US00D697955S

(12) **United States Design Patent**
Arvinte

(10) **Patent No.:** **US D697,955 S**
(45) **Date of Patent:** **** Jan. 21, 2014**

- (54) **VACUUM SANDER PAD**
- (71) Applicant: **A. Richard Tools Co.**, Berthierville (CA)
- (72) Inventor: **Romeo Arvinte**, Laval-des-Rapides (CA)
- (73) Assignee: **A. Richard Tools Co.**, Berthierville, Quebec (CA)
- (**) Term: **14 Years**
- (21) Appl. No.: **29/459,036**
- (22) Filed: **Jun. 25, 2013**
- (51) **LOC (10) Cl.** **15-09**
- (52) **U.S. Cl.**
USPC **D15/126**
- (58) **Field of Classification Search**
USPC D8/70, 90; D15/124, 125, 126, 138;
51/131.1, 131.2, 131.3, 131.4, 297;
451/47, 56, 324, 344, 349, 353, 356,
451/357, 359, 360, 443, 456, 490, 494, 508,
451/509, 510, 511, 524, 541, 544, 547,
451/548-551, 559
See application file for complete search history.

4,671,020	A *	6/1987	Hutchins	451/357
D333,141	S *	2/1993	Kilstrom et al.	D15/124
7,011,573	B2 *	3/2006	McArthur et al.	451/523
7,112,128	B1 *	9/2006	Kirschhoffer et al.	451/499
7,396,276	B2 *	7/2008	Ali et al.	451/356
D590,684	S *	4/2009	Budzik	D8/70
D593,140	S *	5/2009	Hyde	D15/126
D680,844	S *	4/2013	Thompson et al.	D8/90
2008/0207099	A1 *	8/2008	Brown	451/524
2009/0004955	A1 *	1/2009	Gringer et al.	451/344
2010/0048111	A1 *	2/2010	Gringer et al.	451/524

* cited by examiner

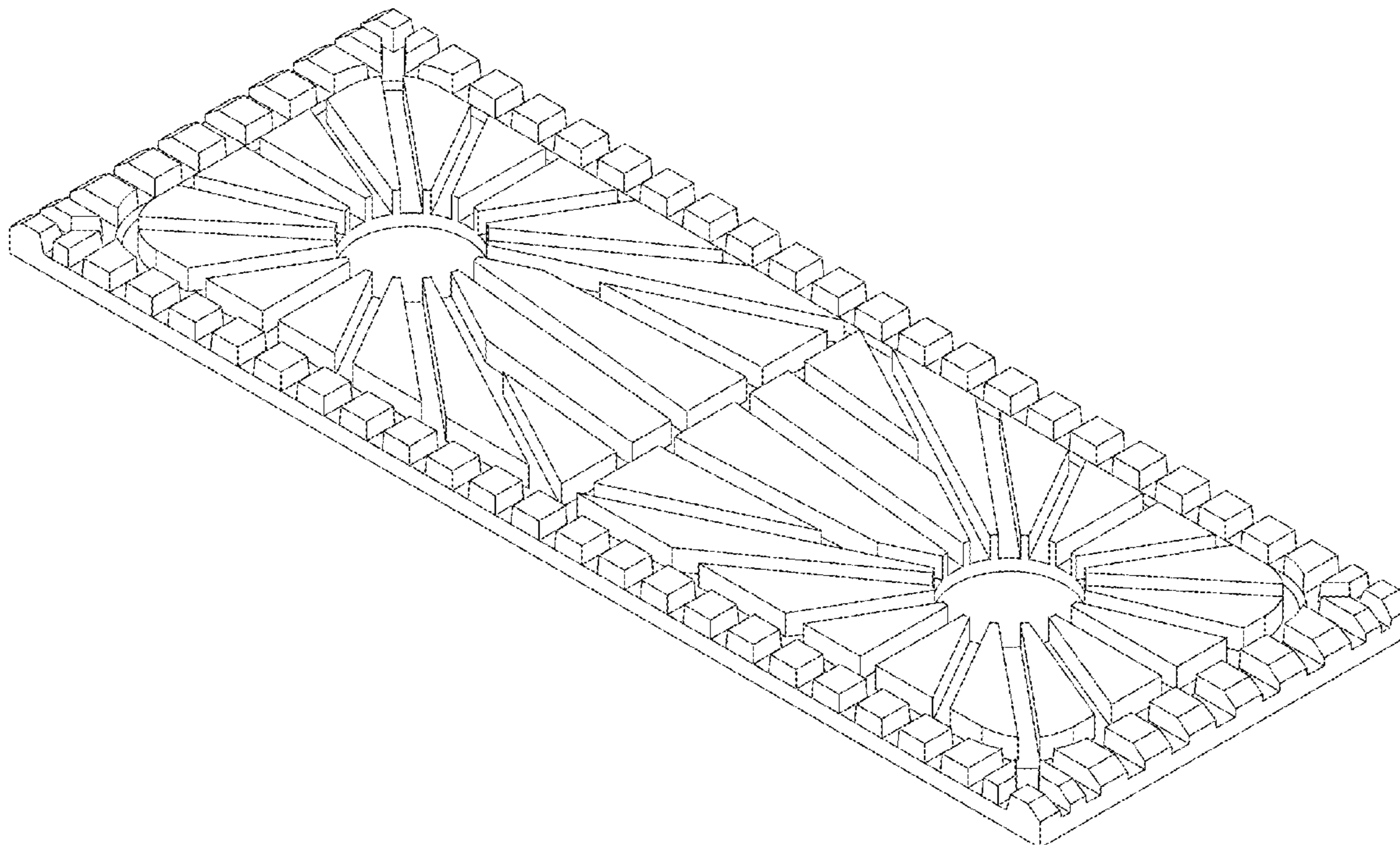
Primary Examiner — Patricia Palasik
(74) *Attorney, Agent, or Firm* — Merchant & Gould P.C.

- (56) **References Cited**
U.S. PATENT DOCUMENTS
4,434,587 A * 3/1984 McDougall 451/357
4,516,360 A * 5/1985 Gringer et al. 451/516

(57) **CLAIM**
The ornamental design for a vacuum sander pad, as shown and described.

DESCRIPTION
FIG. 1 is a top perspective view of a vacuum sander pad showing my new design;
FIG. 2 is a bottom perspective view thereof;
FIG. 3 is a front view thereof;
FIG. 4 is a rear view thereof;
FIG. 5 is a left side view thereof;
FIG. 6 is a right side view thereof;
FIG. 7 is a top plan view thereof; and,
FIG. 8 is a bottom plan view thereof.

1 Claim, 6 Drawing Sheets



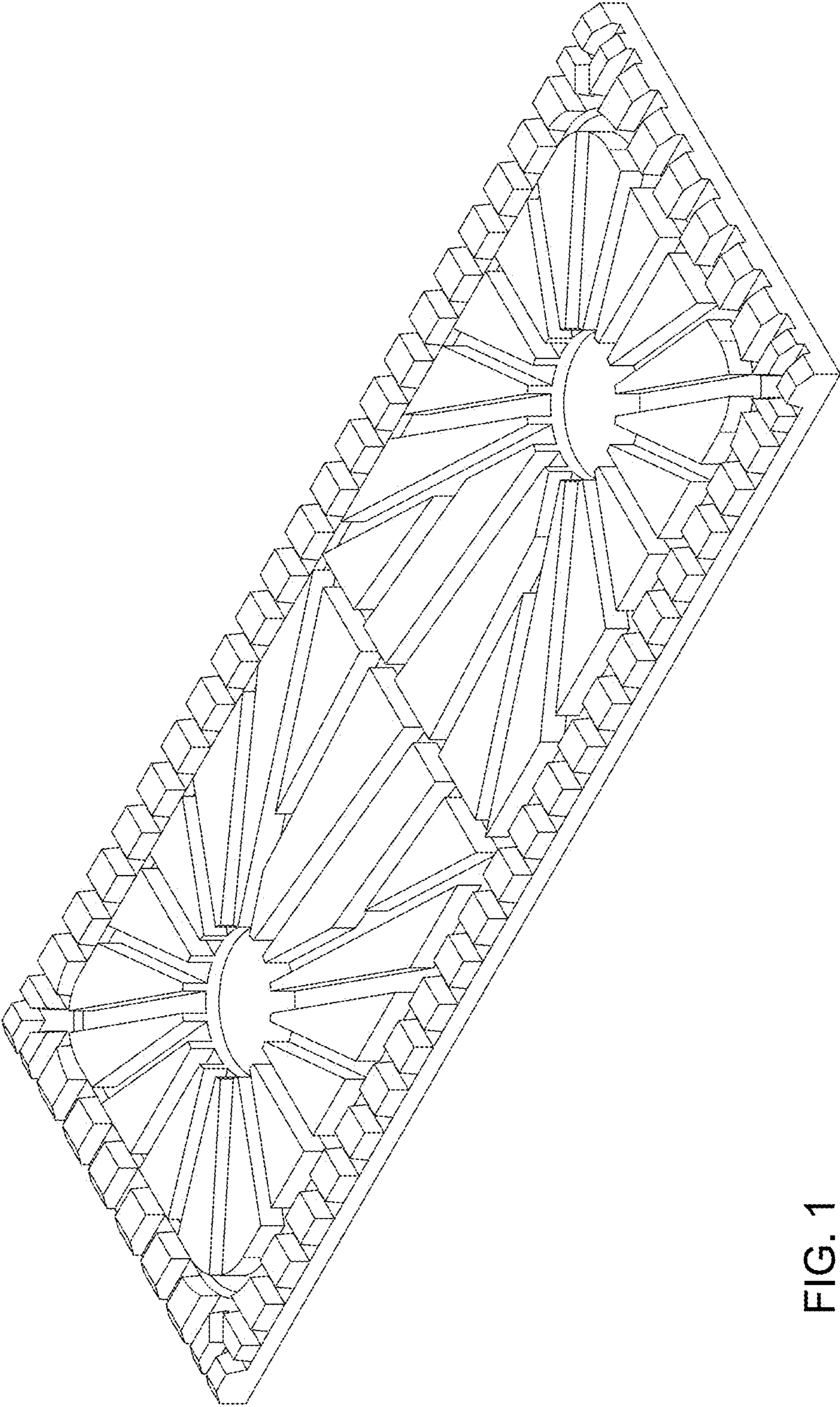


FIG. 1

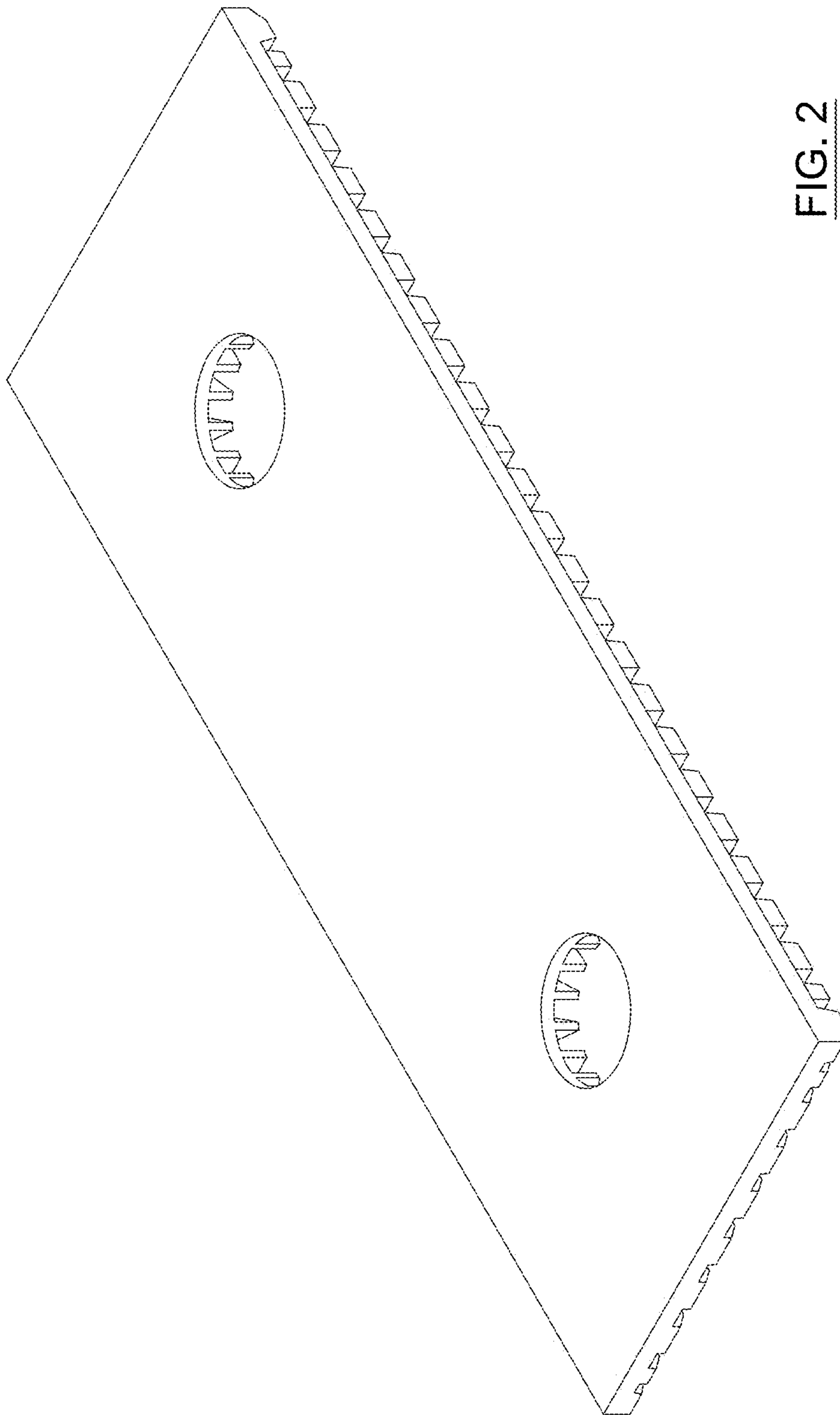


FIG. 2

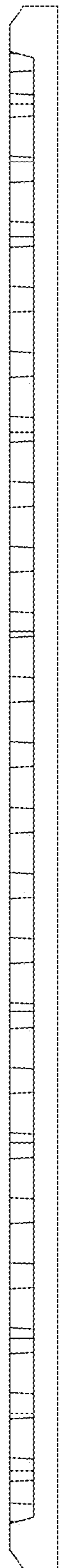


FIG. 3



FIG. 4

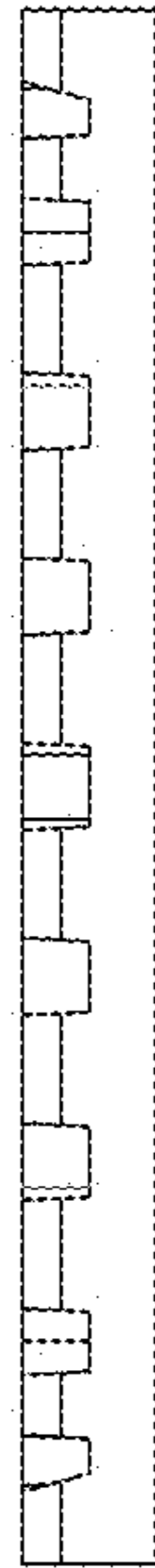


FIG. 5

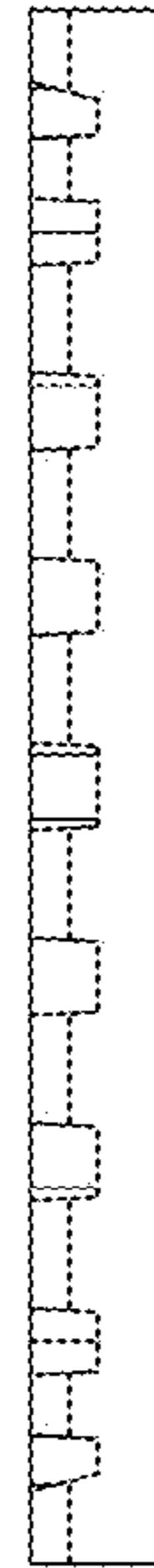


FIG. 6

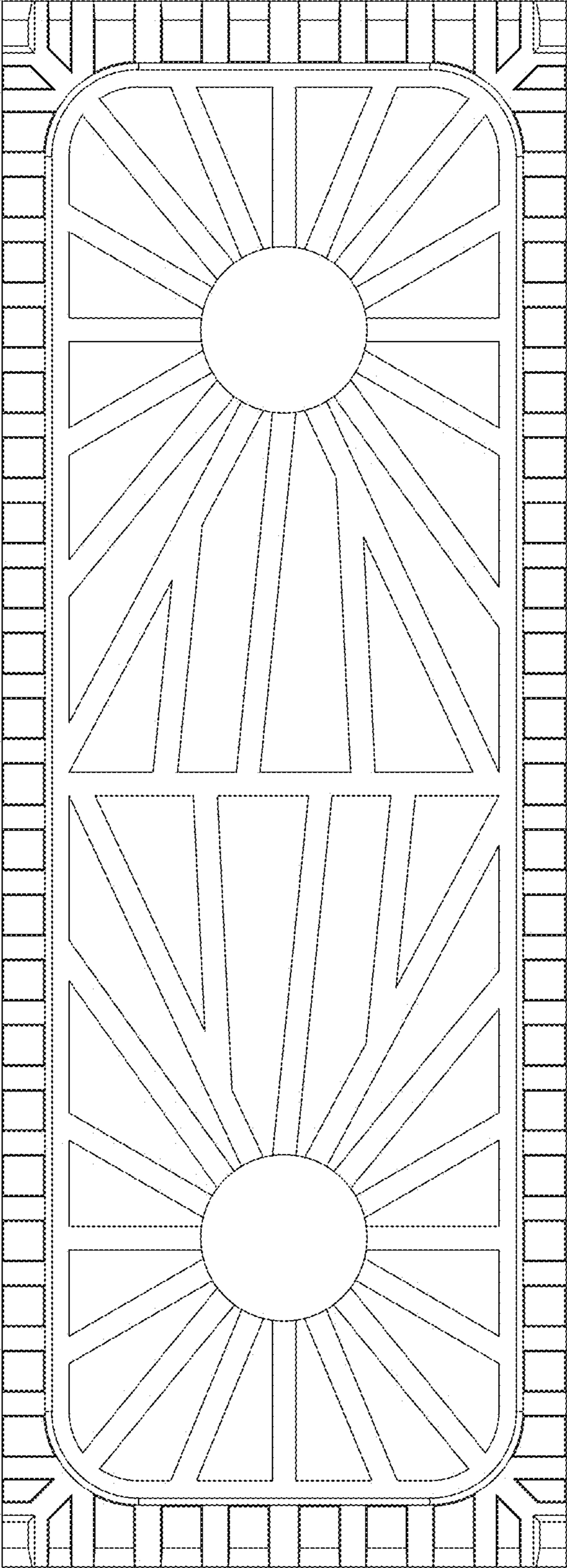


FIG. 7

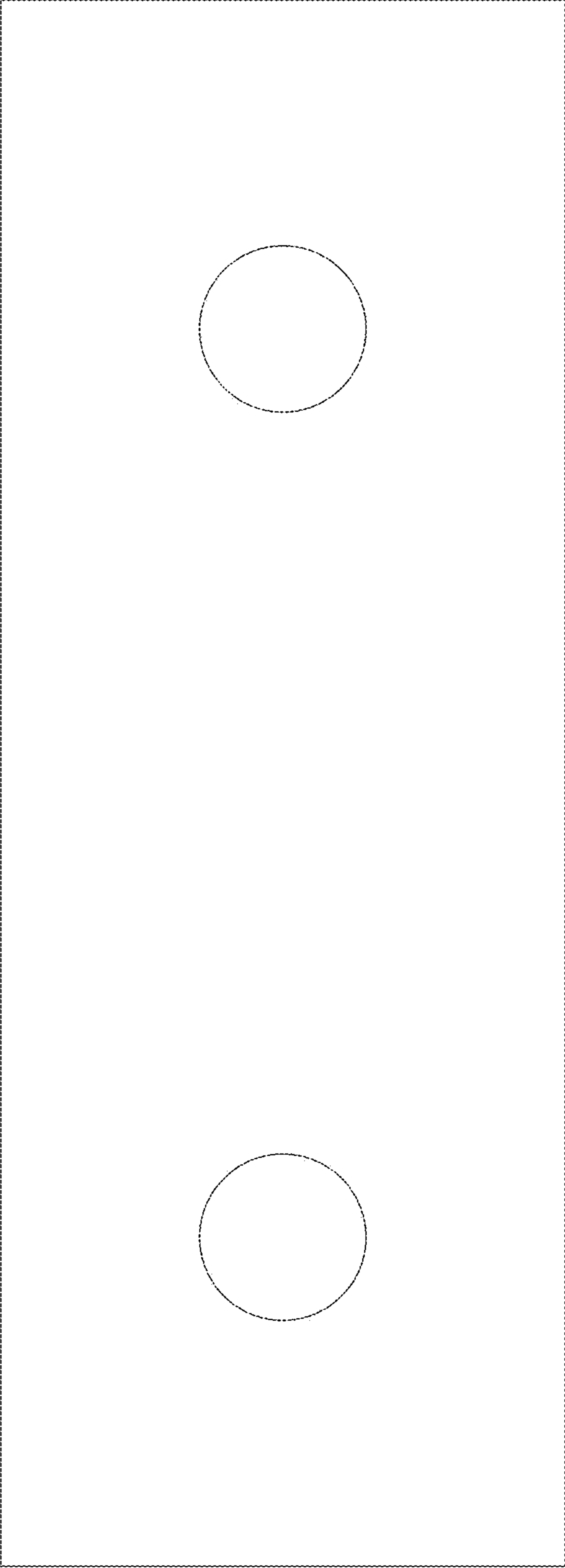


FIG. 8