



US00D697954S

(12) **United States Design Patent**  
**Resch**

(10) **Patent No.:** **US D697,954 S**  
(45) **Date of Patent:** **\*\* Jan. 21, 2014**

(54) **REFRIGERATING APPARATUS**  
(75) Inventor: **Reinhold Resch**, St. Peter (AT)  
(73) Assignee: **AHT Cooling Systems GmbH**,  
Rottenmann (AT)  
(\*\*) Term: **14 Years**  
(21) Appl. No.: **29/431,838**  
(22) Filed: **Sep. 11, 2012**  
(30) **Foreign Application Priority Data**

D524,330 S \* 7/2006 Pedersen et al. .... D15/81  
D530,346 S \* 10/2006 Resch ..... D15/83  
D541,313 S \* 4/2007 Resch ..... D15/83  
D541,314 S \* 4/2007 Resch ..... D15/83  
D541,827 S \* 5/2007 Resch ..... D15/83  
D586,366 S \* 2/2009 Resch ..... D15/79  
D596,208 S \* 7/2009 Cunnane ..... D15/83  
D596,651 S \* 7/2009 Li et al. .... D15/84  
D607,474 S \* 1/2010 Pacher ..... D15/83  
D653,683 S \* 2/2012 Resch ..... D15/83  
D663,754 S \* 7/2012 Pauschitz ..... D15/83  
D671,149 S \* 11/2012 Resch ..... D15/83  
D671,569 S \* 11/2012 Pauschitz ..... D15/83  
D671,570 S \* 11/2012 Resch ..... D15/83  
D678,364 S \* 3/2013 Resch ..... D15/83  
D678,365 S \* 3/2013 Resch ..... D15/83

Mar. 21, 2012 (EM) ..... 002012682-0005

(51) **LOC (10) Cl.** ..... **15-07**  
(52) **U.S. Cl.**  
USPC ..... **D15/83**  
(58) **Field of Classification Search**  
USPC ..... D15/79-84; 62/3.1, 3.6-3.64, 45.1,  
62/293, 331, 371, 440, 467, 529, 531, 125,  
62/255, 457.3-457.9; 312/236, 352,  
312/400-409, 116, 238.1; 220/349  
See application file for complete search history.

\* cited by examiner

*Primary Examiner* — Mitchell Siegel  
(74) *Attorney, Agent, or Firm* — Hogan Lovells US LLP

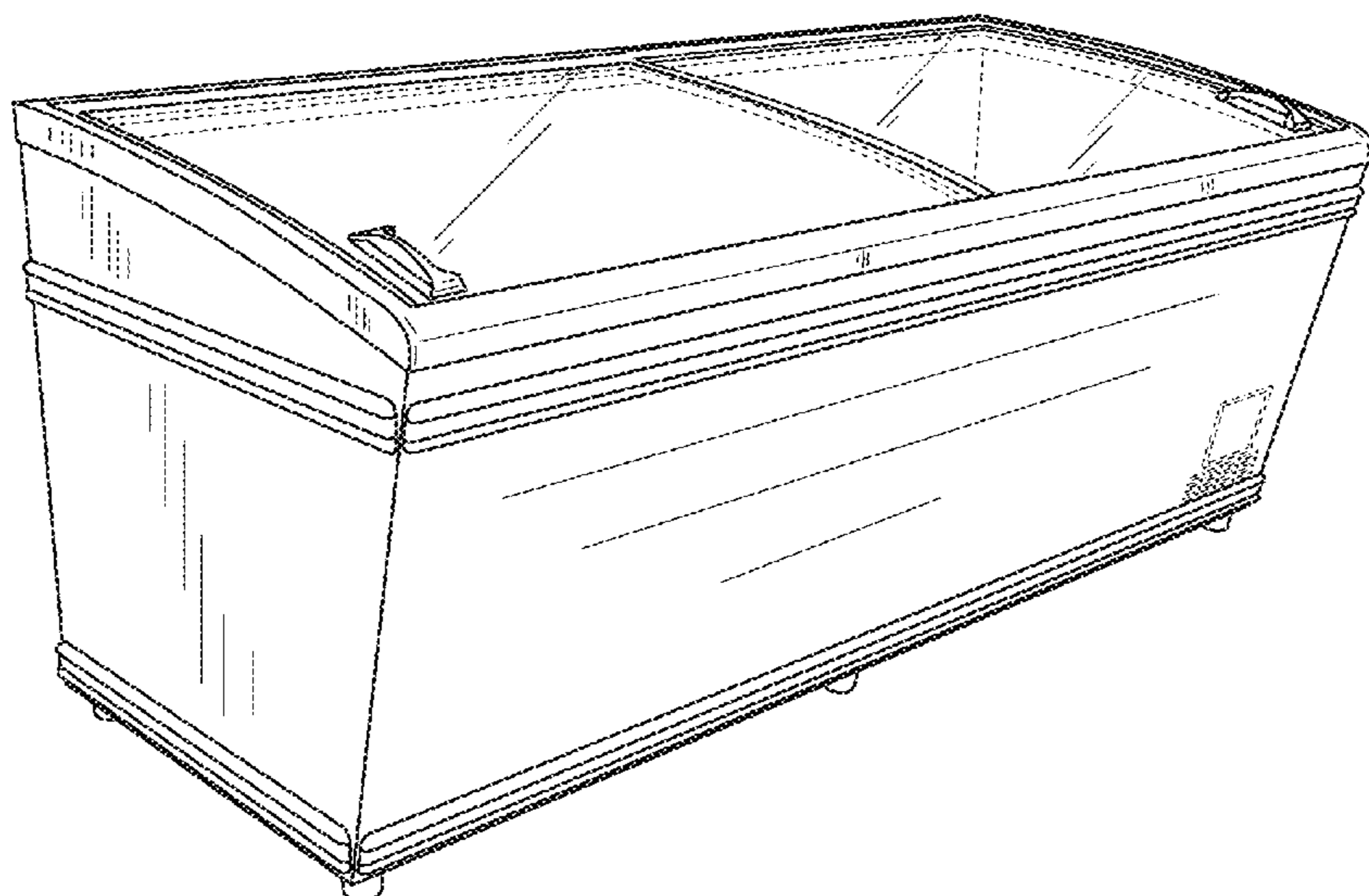
(56) **References Cited**  
U.S. PATENT DOCUMENTS  
2,276,635 A \* 3/1942 Weber ..... 220/349  
D439,913 S \* 4/2001 Jobst ..... D15/84  
D449,845 S \* 10/2001 Reese et al. .... D15/83  
D477,616 S \* 7/2003 Resch ..... D15/83  
D477,617 S \* 7/2003 Resch ..... D15/83  
D483,045 S \* 12/2003 Resch ..... D15/83  
D520,529 S \* 5/2006 Resch ..... D15/83  
D520,530 S \* 5/2006 Resch ..... D15/83  
D521,029 S \* 5/2006 Resch ..... D15/83

(57) **CLAIM**  
The ornamental design for a refrigerating apparatus, as shown and described.

**DESCRIPTION**

FIG. 1 is a perspective view of a refrigerating apparatus showing the design;  
FIG. 2 is a front view thereof;  
FIG. 3 is a back view thereof;  
FIG. 4 is a right side view thereof;  
FIG. 5 is a left side view thereof;  
FIG. 6 is a top view thereof; and,  
FIG. 7 is a bottom view thereof.  
The elements depicted in broken lines form no part of the claimed design.

**1 Claim, 6 Drawing Sheets**



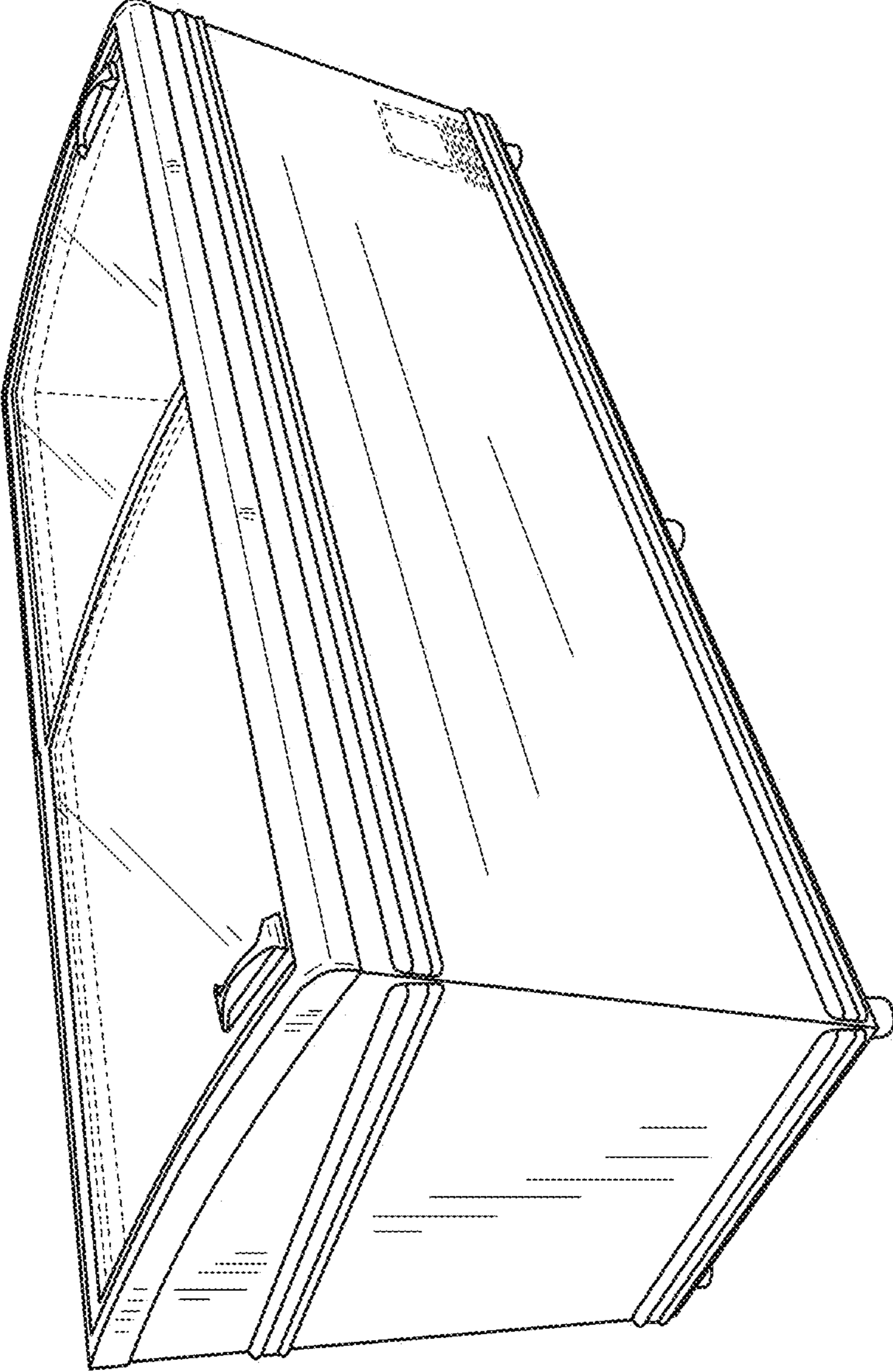


FIG. 1

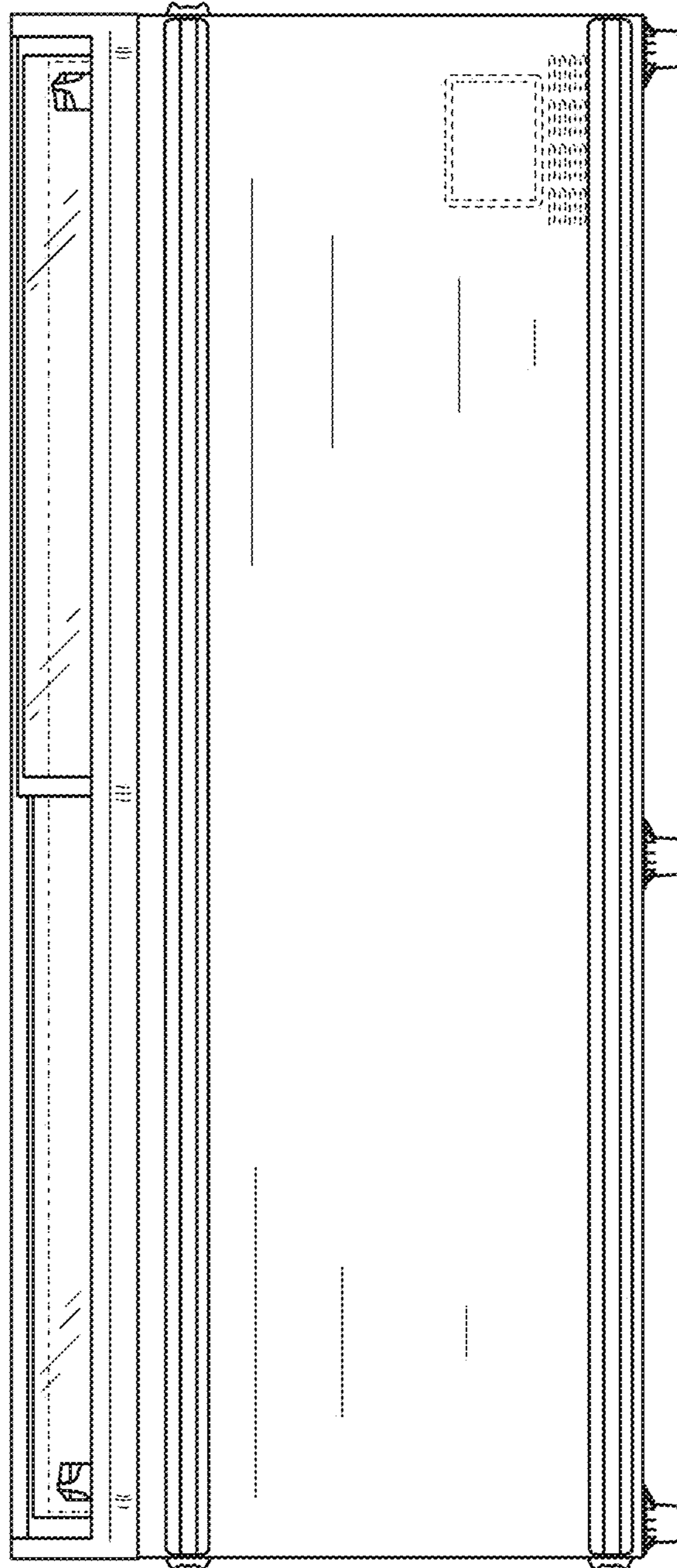


FIG.2

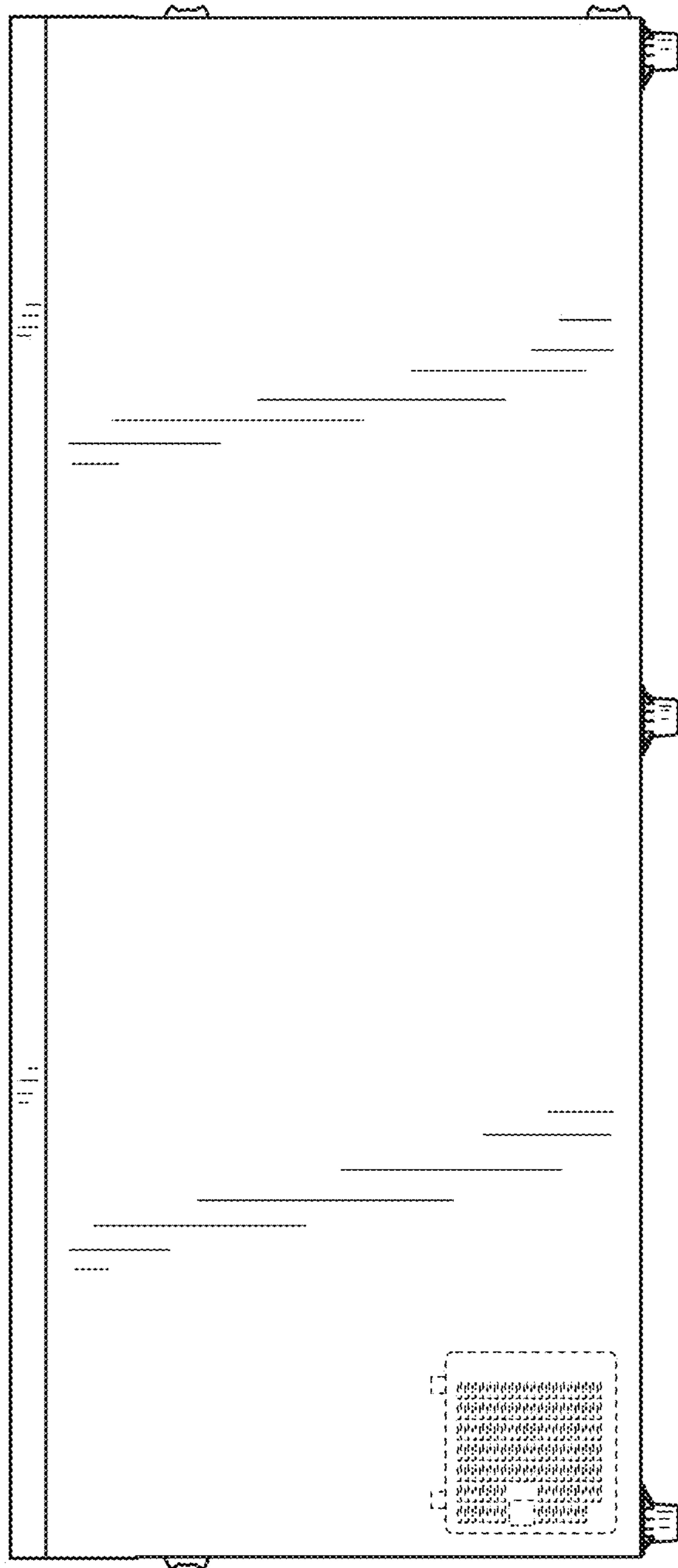


FIG. 3



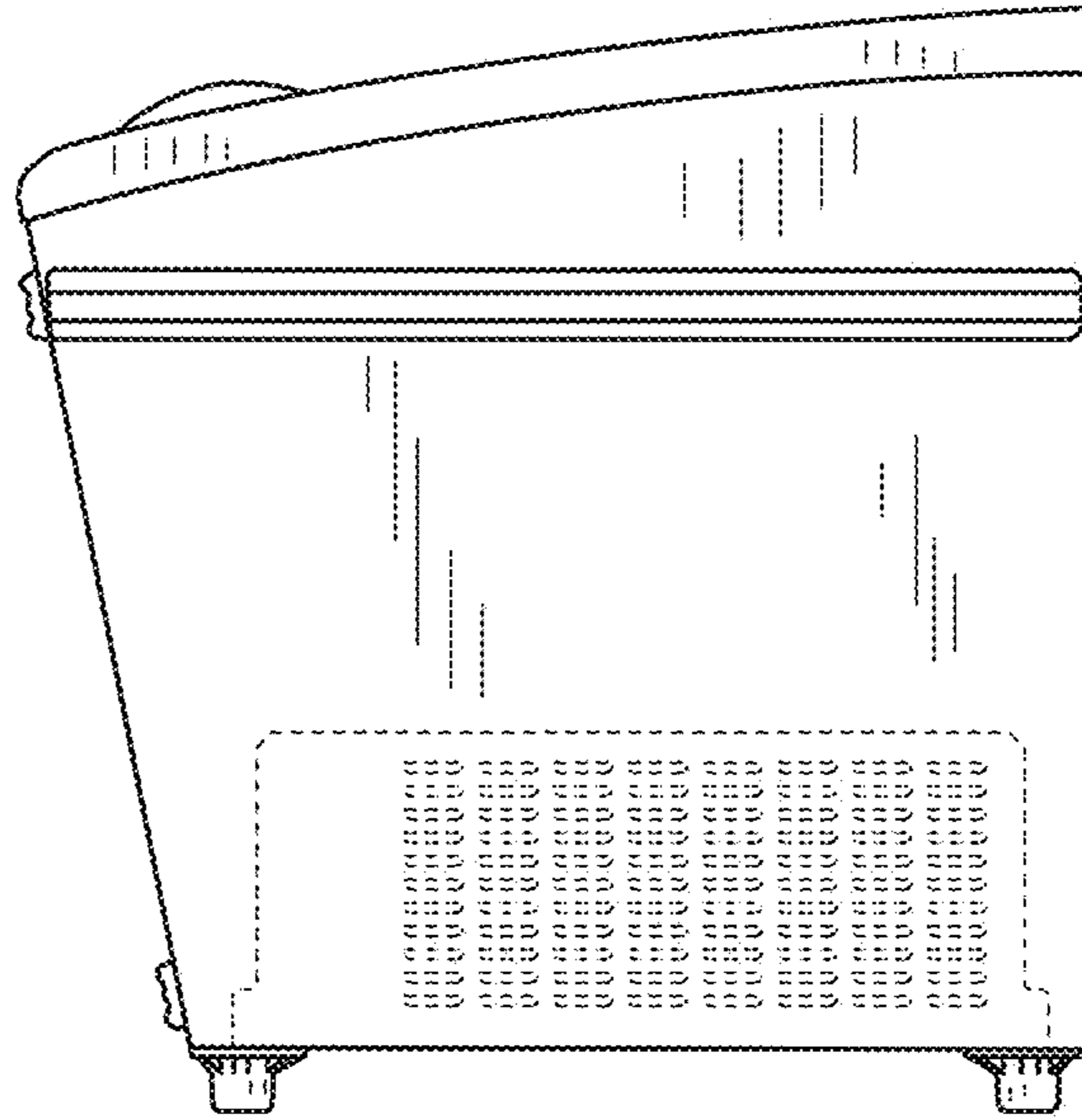


FIG. 4

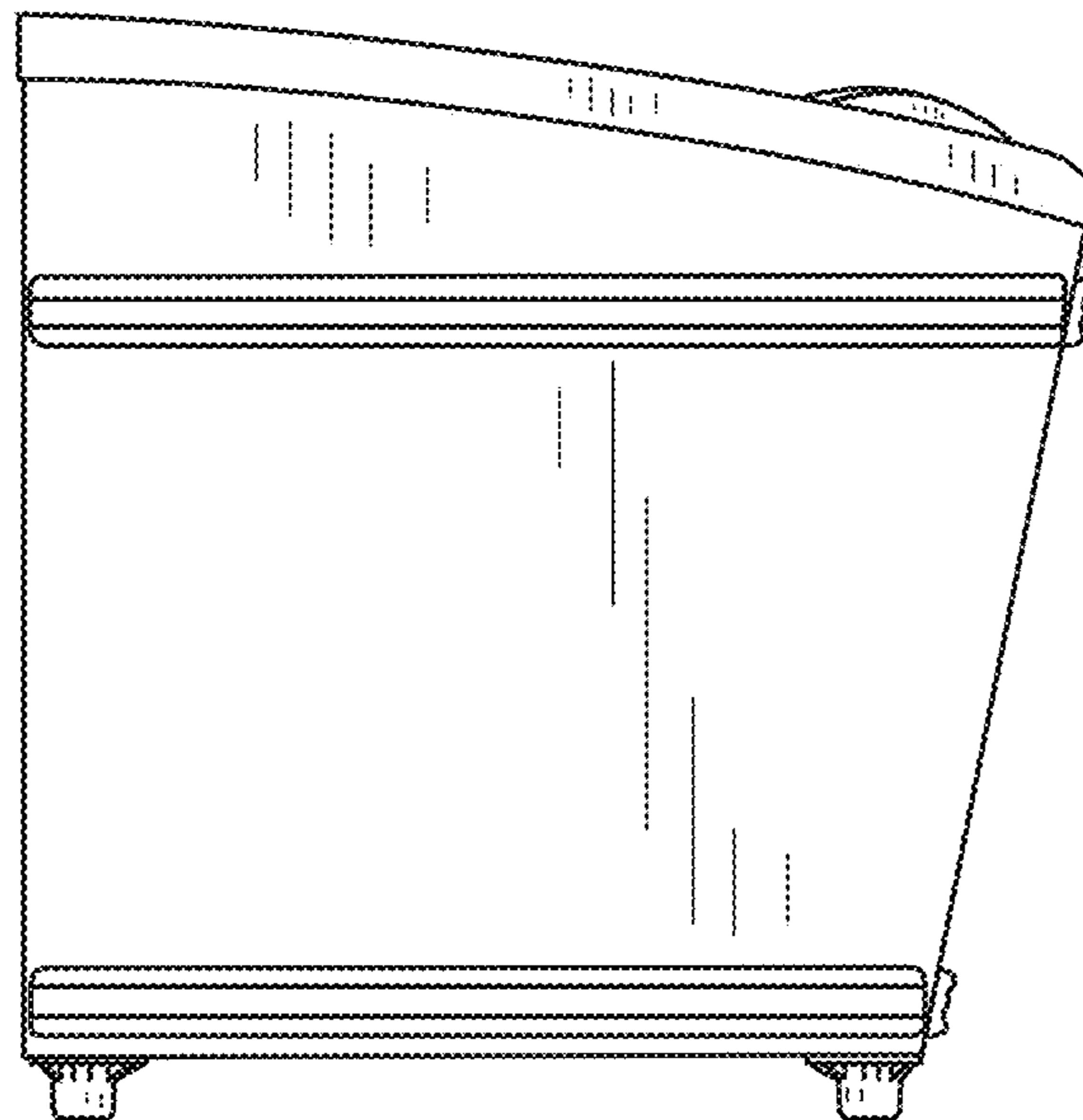


FIG. 5

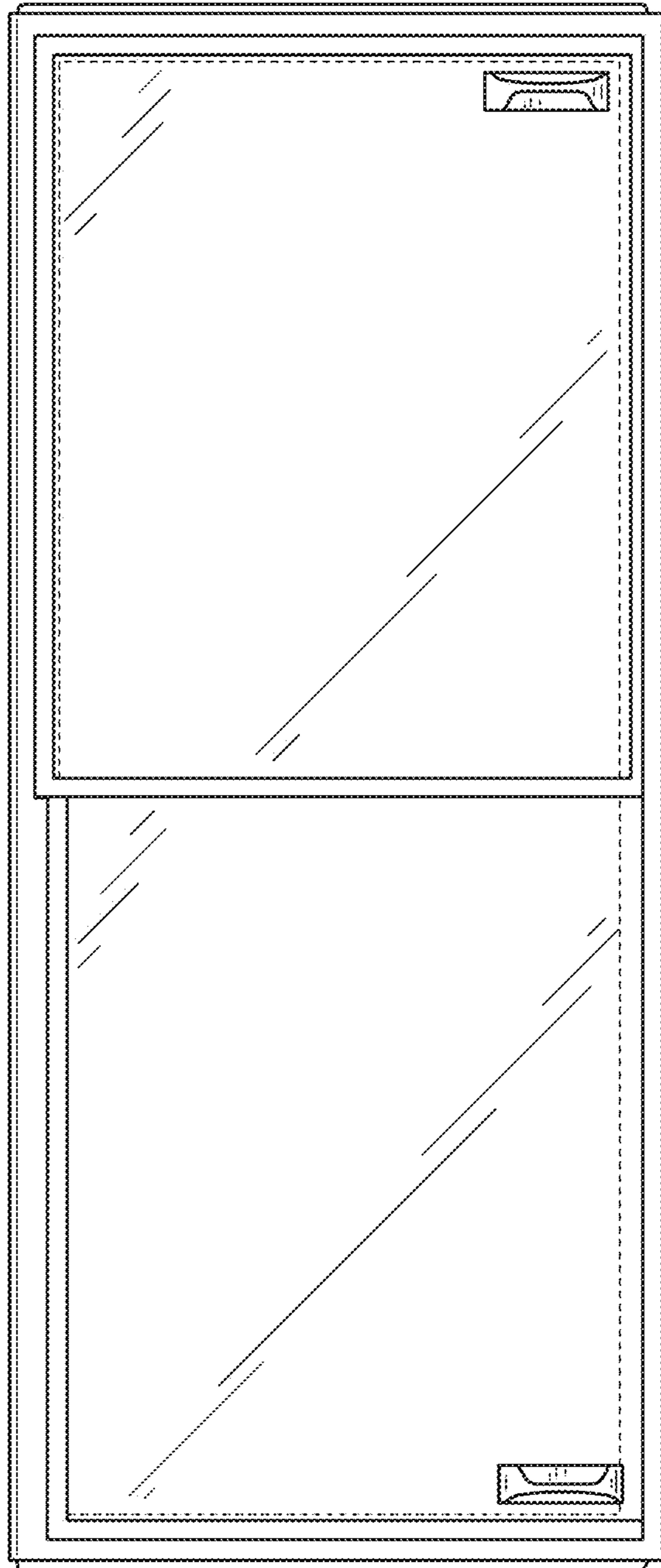


FIG. 6

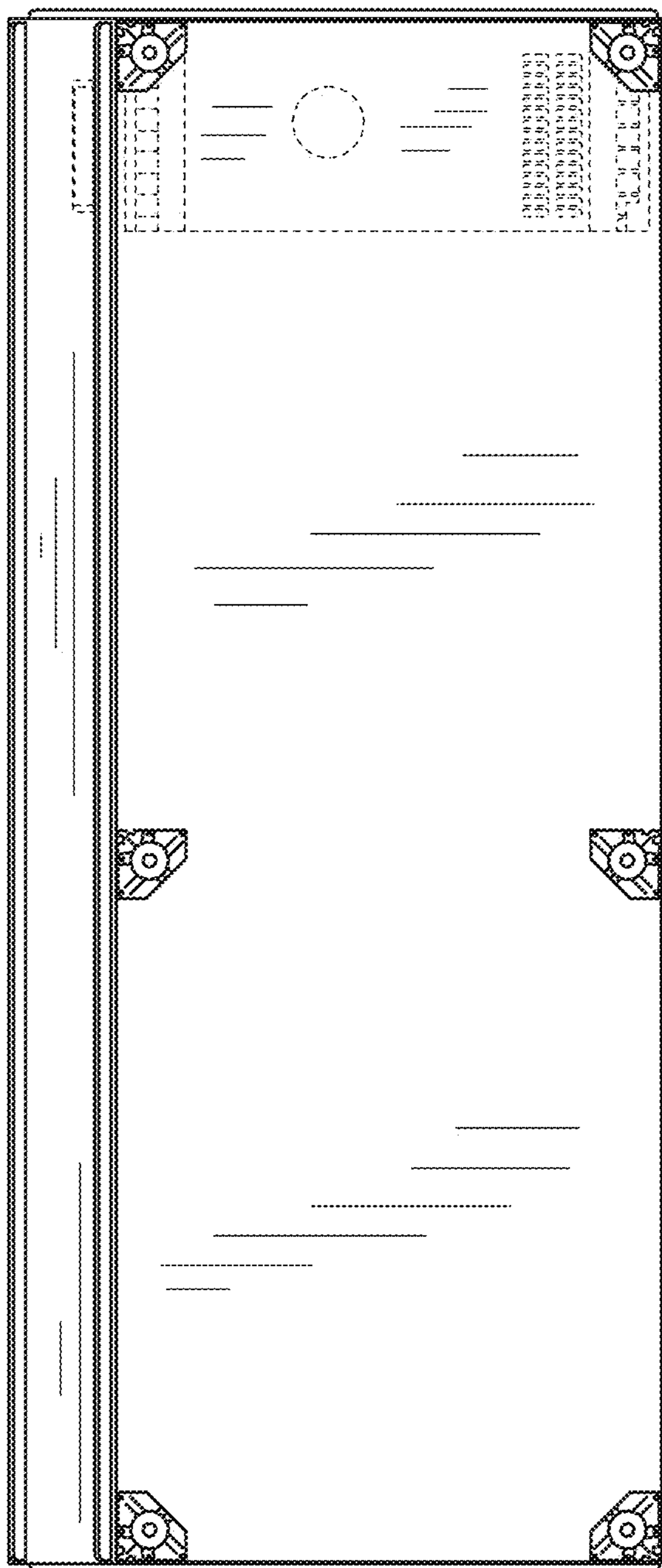


FIG. 7