



US00D697953S

(12) **United States Design Patent**  
**Resch**

(10) **Patent No.:** **US D697,953 S**  
(45) **Date of Patent:** **\*\* Jan. 21, 2014**

- (54) **REFRIGERATING APPARATUS**
- (75) Inventor: **Reinhold Resch, St. Peter (AT)**
- (73) Assignee: **AHT Cooling Systems GmbH, Rottenmann (AT)**
- (\*\*) Term: **14 Years**
- (21) Appl. No.: **29/431,836**
- (22) Filed: **Sep. 11, 2012**
- (30) **Foreign Application Priority Data**

D524,330 S *	7/2006	Pedersen et al. ....	D15/81
D530,346 S *	10/2006	Resch .....	D15/83
D541,313 S *	4/2007	Resch .....	D15/83
D541,314 S *	4/2007	Resch .....	D15/83
D541,827 S *	5/2007	Resch .....	D15/83
D586,366 S *	2/2009	Resch .....	D15/79
D596,208 S *	7/2009	Cunnane .....	D15/83
D596,651 S *	7/2009	Li et al. ....	D15/84
D607,474 S *	1/2010	Pacher .....	D15/83
D653,683 S *	2/2012	Resch .....	D15/83
D663,754 S *	7/2012	Pauschitz .....	D15/83
D671,149 S *	11/2012	Resch .....	D15/83
D671,569 S *	11/2012	Pauschitz .....	D15/83
D671,570 S *	11/2012	Resch .....	D15/83
D678,364 S *	3/2013	Resch .....	D15/83
D678,365 S *	3/2013	Resch .....	D15/83

Mar. 21, 2012 (EM) ..... 002012682-0004

- (51) **LOC (10) Cl.** ..... **15-07**
- (52) **U.S. Cl.**  
USPC ..... **D15/83**
- (58) **Field of Classification Search**  
USPC ..... D15/79-84; 62/3.1, 3.6-3.64, 45.1,  
62/293, 331, 371, 440, 467, 529, 531, 125,  
62/255, 457.3-457.9; 312/236, 352,  
312/400-409, 116, 238.1; 220/349  
See application file for complete search history.

\* cited by examiner

*Primary Examiner* — Mitchell Siegel  
(74) *Attorney, Agent, or Firm* — Hogan Lovells US LLP

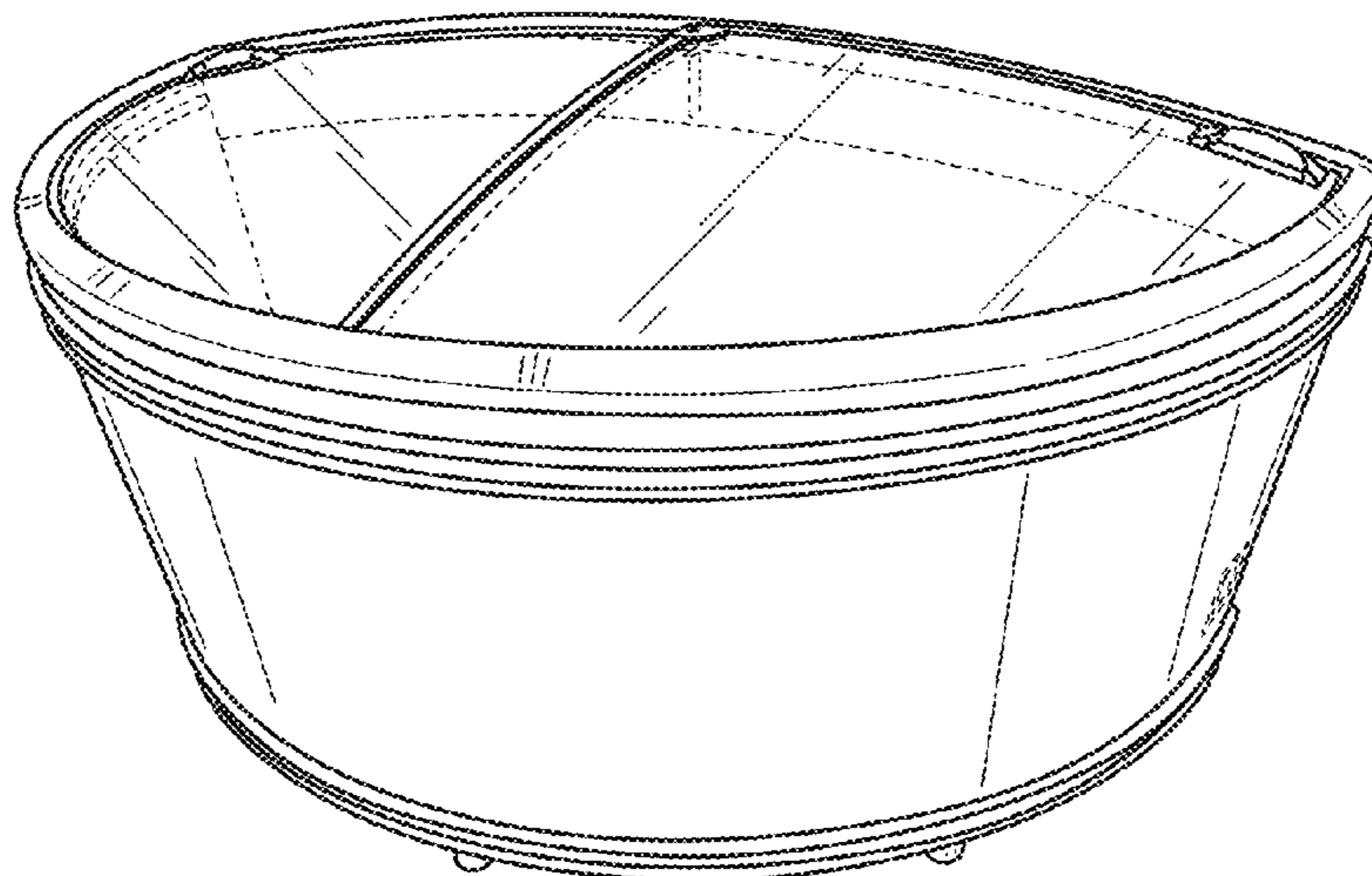
(57) **CLAIM**  
The ornamental design for a refrigerating apparatus, as shown and described.

**DESCRIPTION**

FIG. 1 is a perspective view of a refrigerating apparatus showing the design;  
FIG. 2 is a front view thereof;  
FIG. 3 is a back view thereof;  
FIG. 4 is a right side view thereof;  
FIG. 5 is a left side view thereof;  
FIG. 6 is a top view thereof; and,  
FIG. 7 is a bottom view thereof.  
The elements depicted in broken lines form no part of the claimed design.

- (56) **References Cited**  
U.S. PATENT DOCUMENTS
- |               |         |                   |         |
|---------------|---------|-------------------|---------|
| 2,276,635 A * | 3/1942  | Weber .....       | 220/349 |
| D439,913 S *  | 4/2001  | Jobst .....       | D15/84  |
| D449,845 S *  | 10/2001 | Reese et al. .... | D15/83  |
| D477,616 S *  | 7/2003  | Resch .....       | D15/83  |
| D477,617 S *  | 7/2003  | Resch .....       | D15/83  |
| D483,045 S *  | 12/2003 | Resch .....       | D15/83  |
| D520,529 S *  | 5/2006  | Resch .....       | D15/83  |
| D520,530 S *  | 5/2006  | Resch .....       | D15/83  |
| D521,029 S *  | 5/2006  | Resch .....       | D15/83  |

**1 Claim, 4 Drawing Sheets**



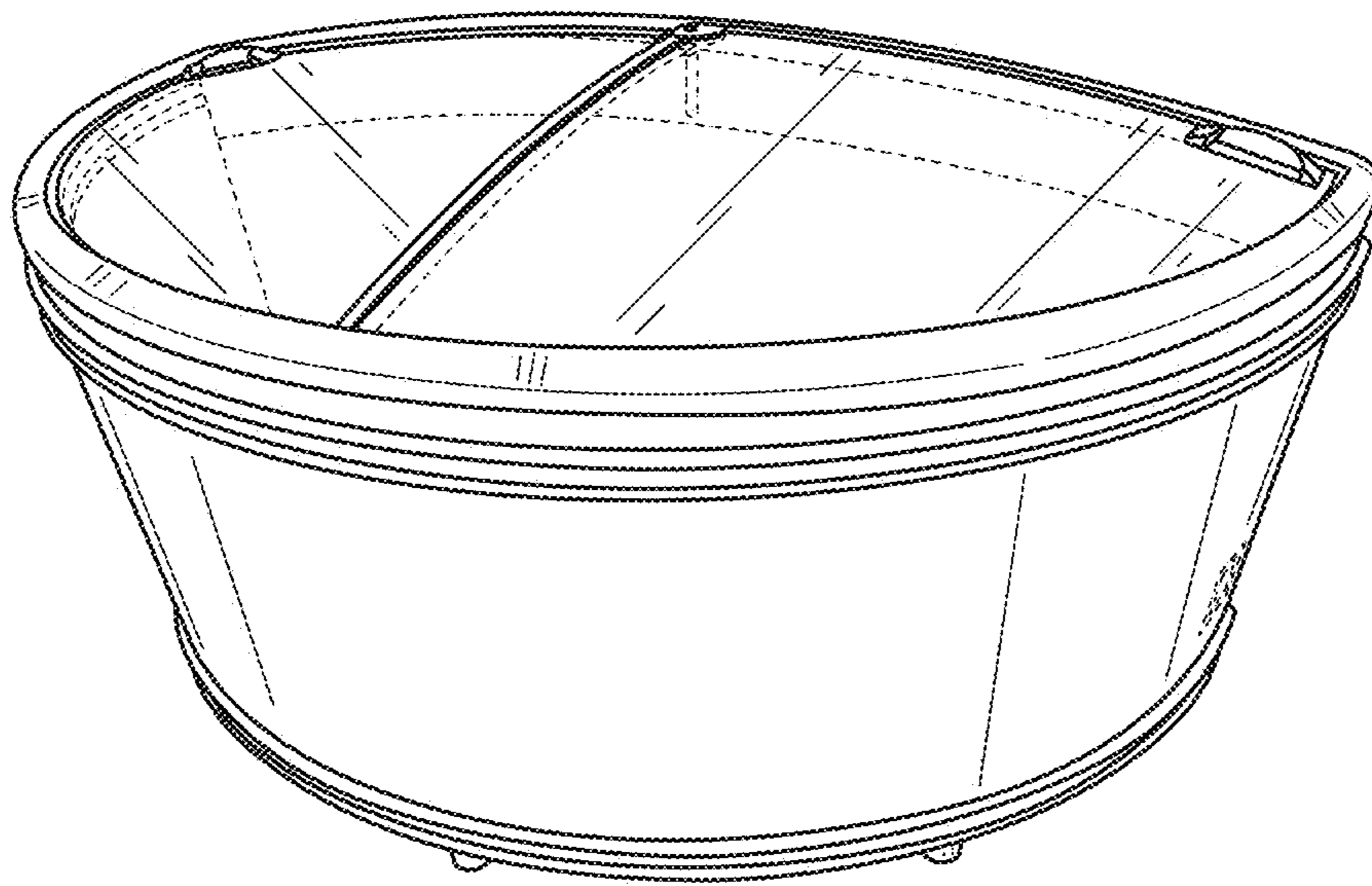


FIG.1

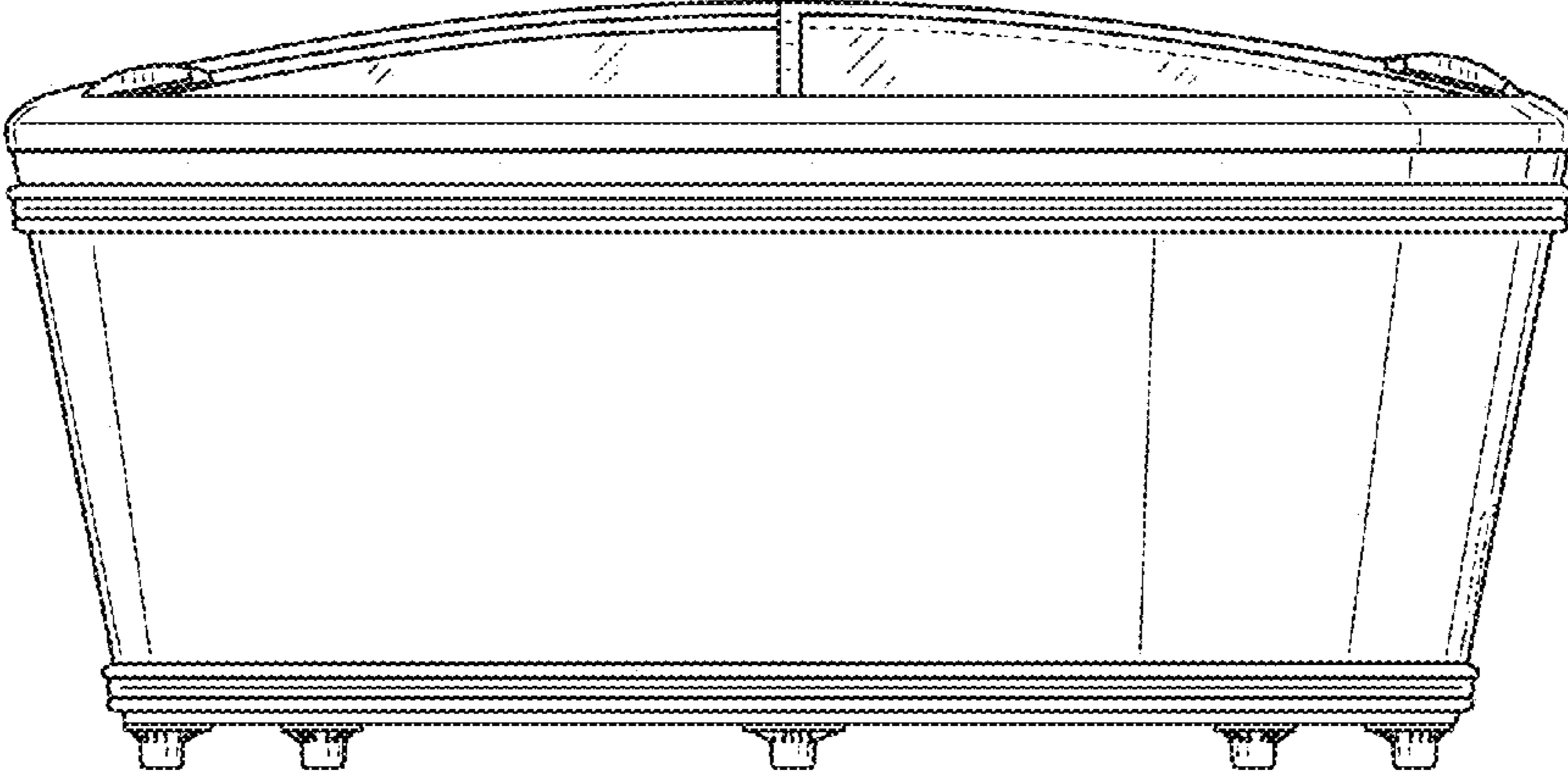


FIG. 2

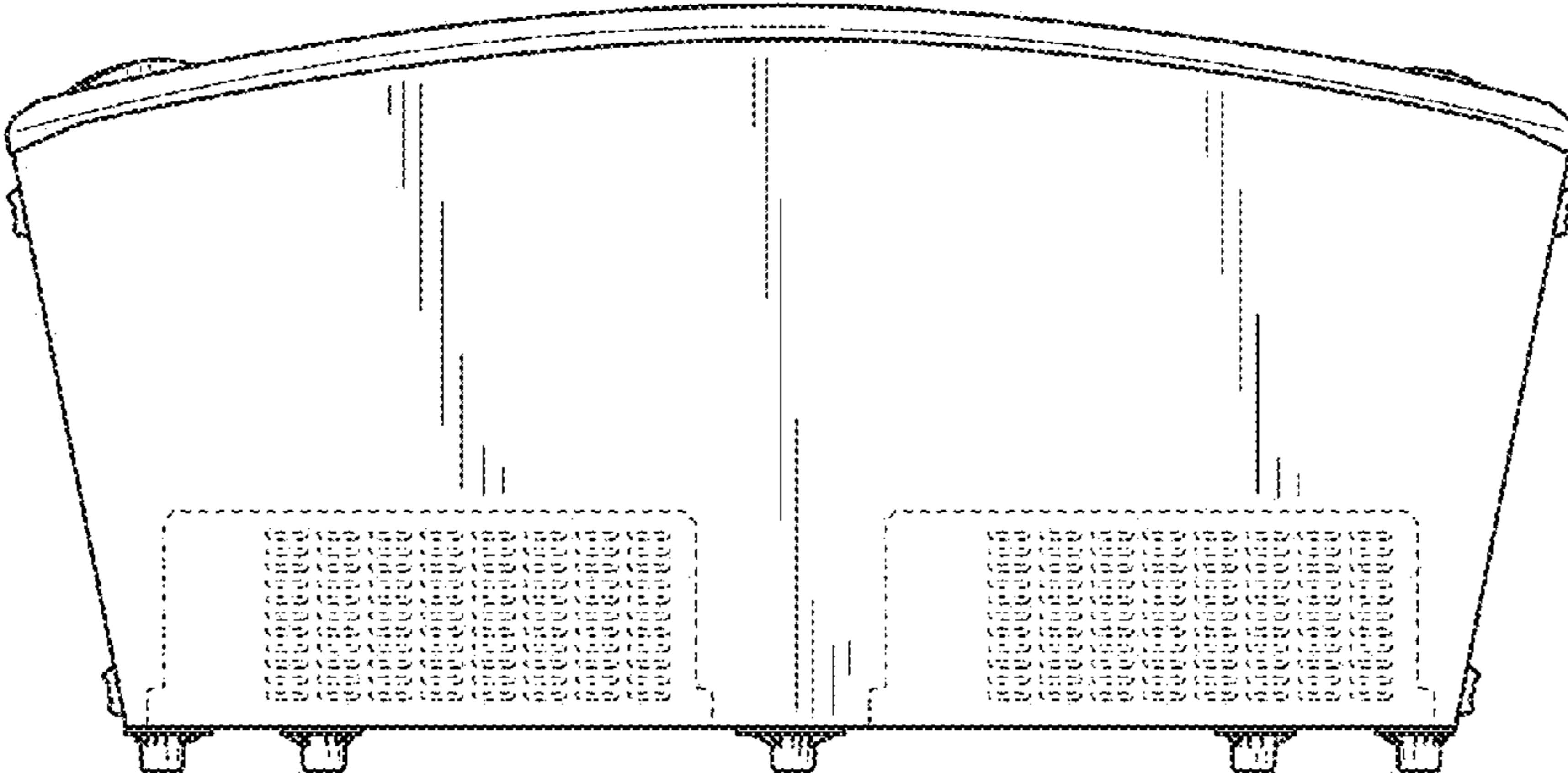


FIG. 3

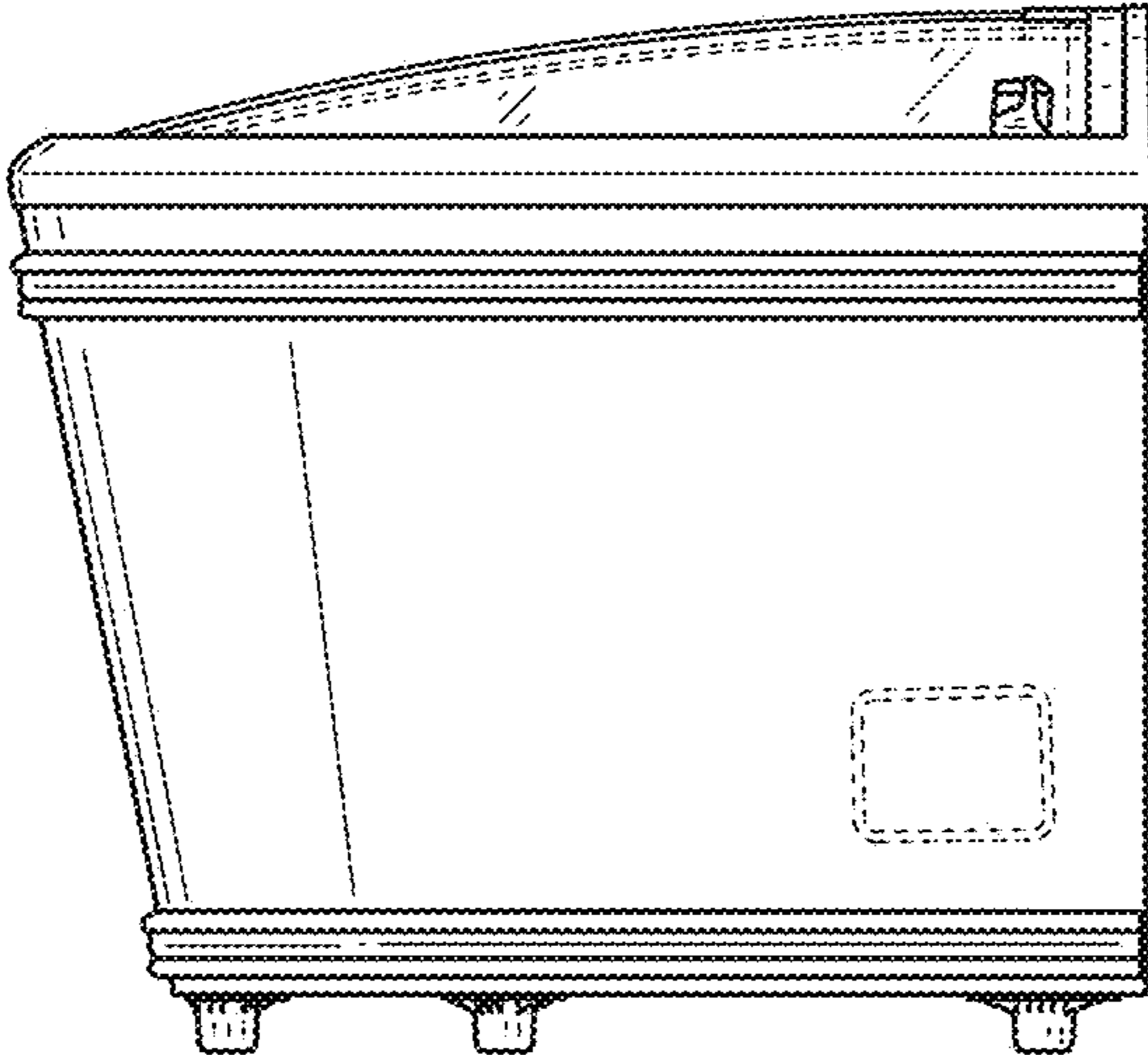


FIG.4

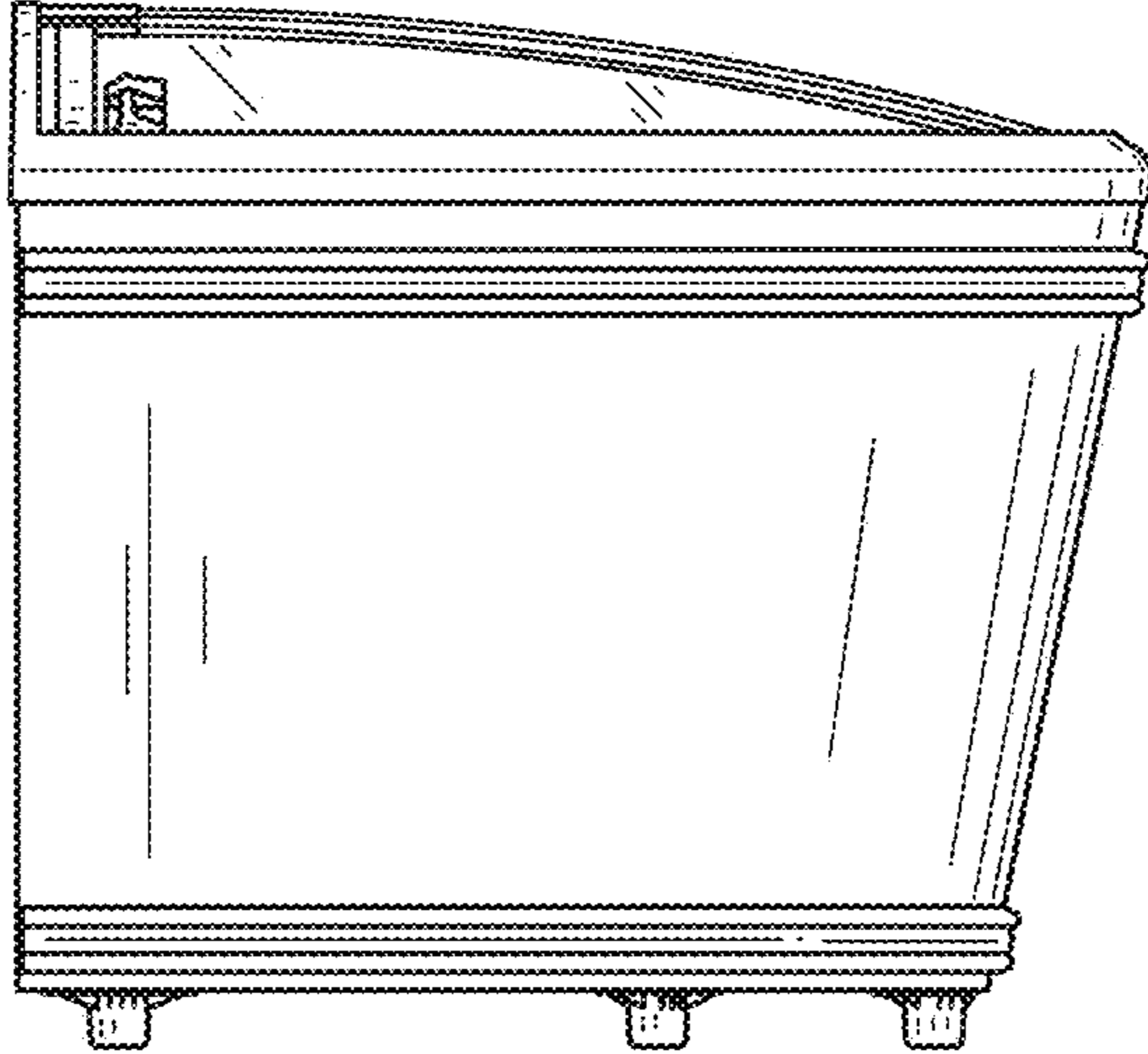


FIG.5

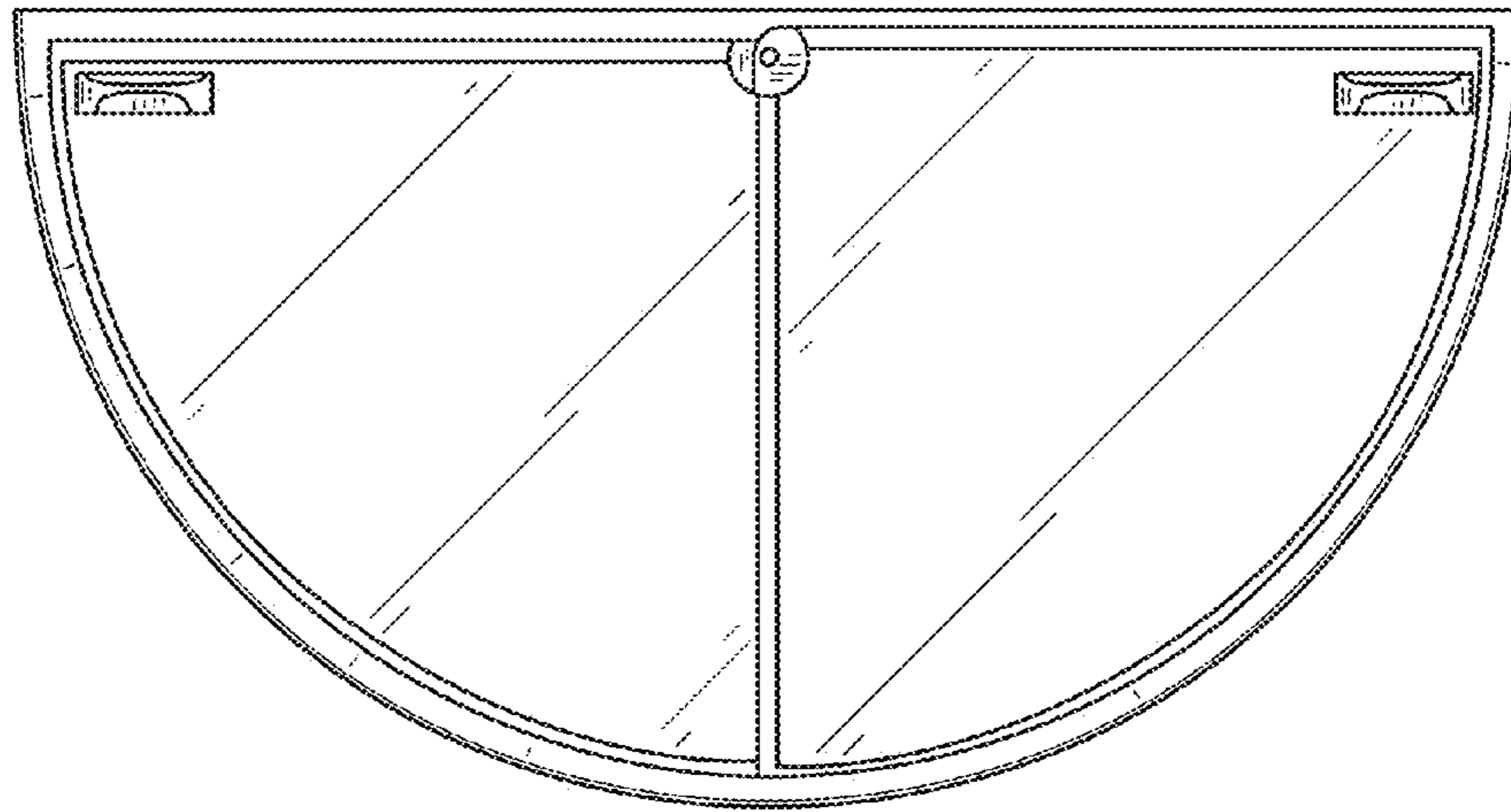


FIG. 6

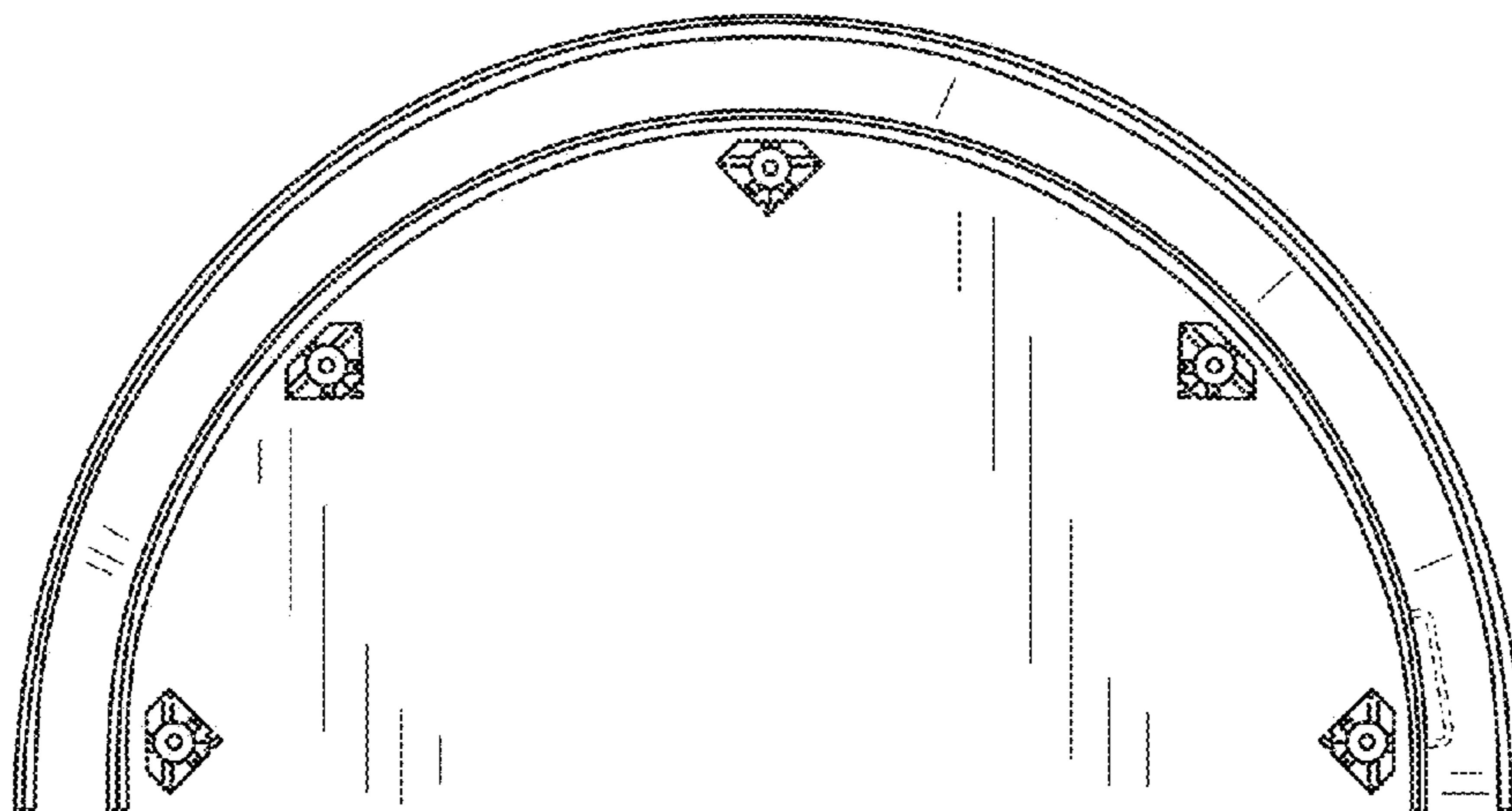


FIG. 7