



US00D697952S

(12) **United States Design Patent**
Resch

(10) **Patent No.:** **US D697,952 S**
(45) **Date of Patent:** **** Jan. 21, 2014**

(54) **REFRIGERATING APPARATUS**
(75) Inventor: **Reinhold Resch, St. Peter (AT)**
(73) Assignee: **AHT Cooling Systems GmbH, Rottenmann (AT)**
(**) Term: **14 Years**
(21) Appl. No.: **29/431,831**
(22) Filed: **Sep. 11, 2012**
(30) **Foreign Application Priority Data**

D524,330 S * 7/2006 Pedersen et al. D15/81
D530,346 S * 10/2006 Resch D15/83
D541,313 S * 4/2007 Resch D15/83
D541,314 S * 4/2007 Resch D15/83
D541,827 S * 5/2007 Resch D15/83
D586,366 S * 2/2009 Resch D15/79
D596,208 S * 7/2009 Cunnane D15/83
D596,651 S * 7/2009 Li et al. D15/84
D607,474 S * 1/2010 Pacher D15/83
D663,683 S * 2/2012 Resch D15/83
D663,754 S * 7/2012 Pauschitz D15/83
D671,149 S * 11/2012 Resch D15/83
D671,569 S * 11/2012 Pauschitz D15/83
D671,570 S * 11/2012 Resch D15/83
D678,364 S * 3/2013 Resch D15/83
D678,365 S * 3/2013 Resch D15/83

Mar. 21, 2012 (EM) 002012682-0003

(51) **LOC (10) Cl.** **15-07**
(52) **U.S. Cl.**
USPC **D15/83**
(58) **Field of Classification Search**
USPC D15/79-84; 62/3.1, 3.6-3.64, 45.1,
62/293, 331, 371, 440, 467, 529, 531, 125,
62/255, 457.3-457.9; 312/236, 352,
312/400-409, 116, 238.1; 220/349
See application file for complete search history.

* cited by examiner

Primary Examiner — Mitchell Siegel

(74) *Attorney, Agent, or Firm* — Hogan Lovells US LLP

(57) **CLAIM**

The ornamental design for a refrigerating apparatus, as shown and described.

DESCRIPTION

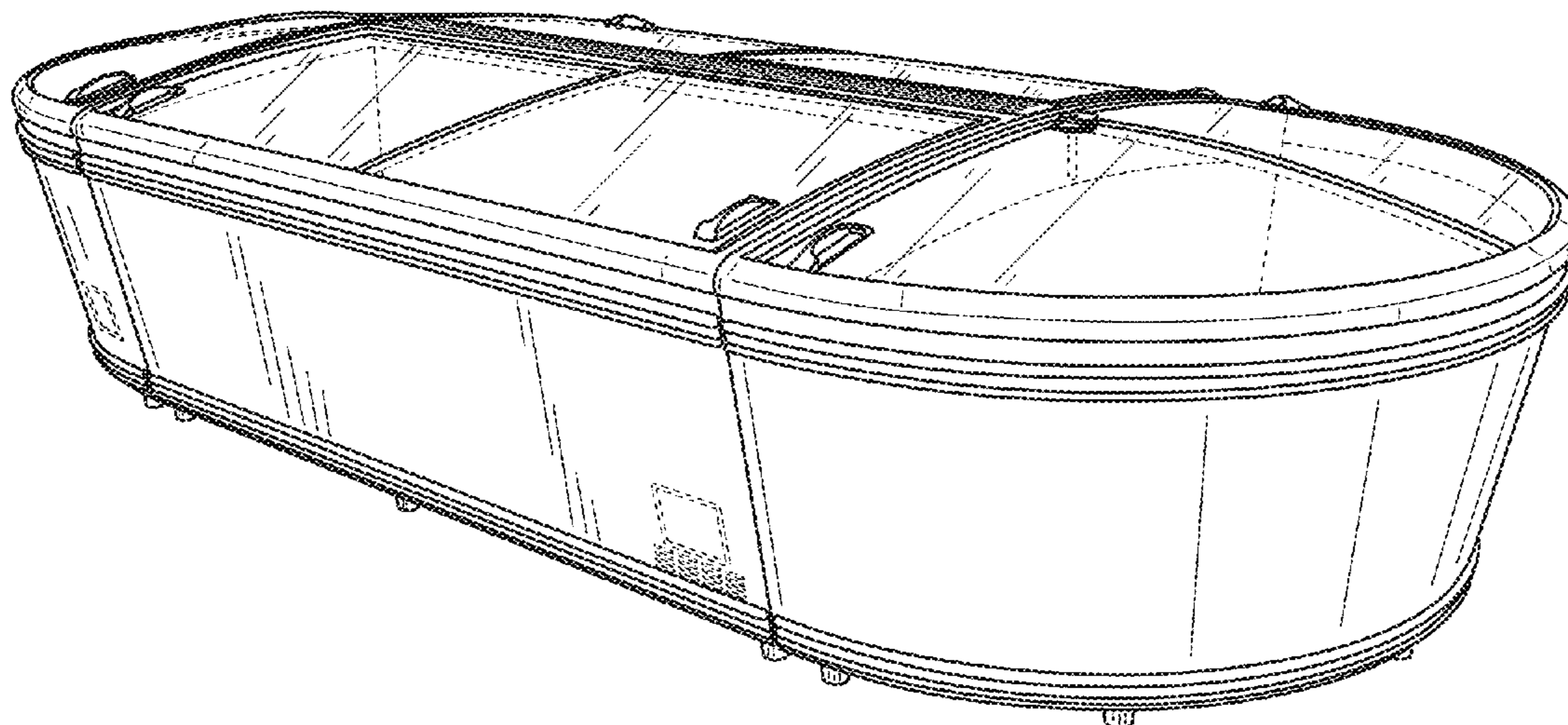
FIG. 1 is a perspective view of a refrigerating apparatus showing the design;
FIG. 2 is a front view thereof;
FIG. 3 is a back view thereof;
FIG. 4 is a right side view thereof;
FIG. 5 is a left side view thereof;
FIG. 6 is a top view thereof; and,
FIG. 7 is a bottom view thereof.
The elements depicted in broken lines form no part of the claimed design.

(56) **References Cited**

U.S. PATENT DOCUMENTS

2,276,635 A * 3/1942 Weber 220/349
D439,913 S * 4/2001 Jobst D15/84
D449,845 S * 10/2001 Reese et al. D15/83
D477,616 S * 7/2003 Resch D15/83
D477,617 S * 7/2003 Resch D15/83
D483,045 S * 12/2003 Resch D15/83
D520,529 S * 5/2006 Resch D15/83
D520,530 S * 5/2006 Resch D15/83
D521,029 S * 5/2006 Resch D15/83

1 Claim, 6 Drawing Sheets



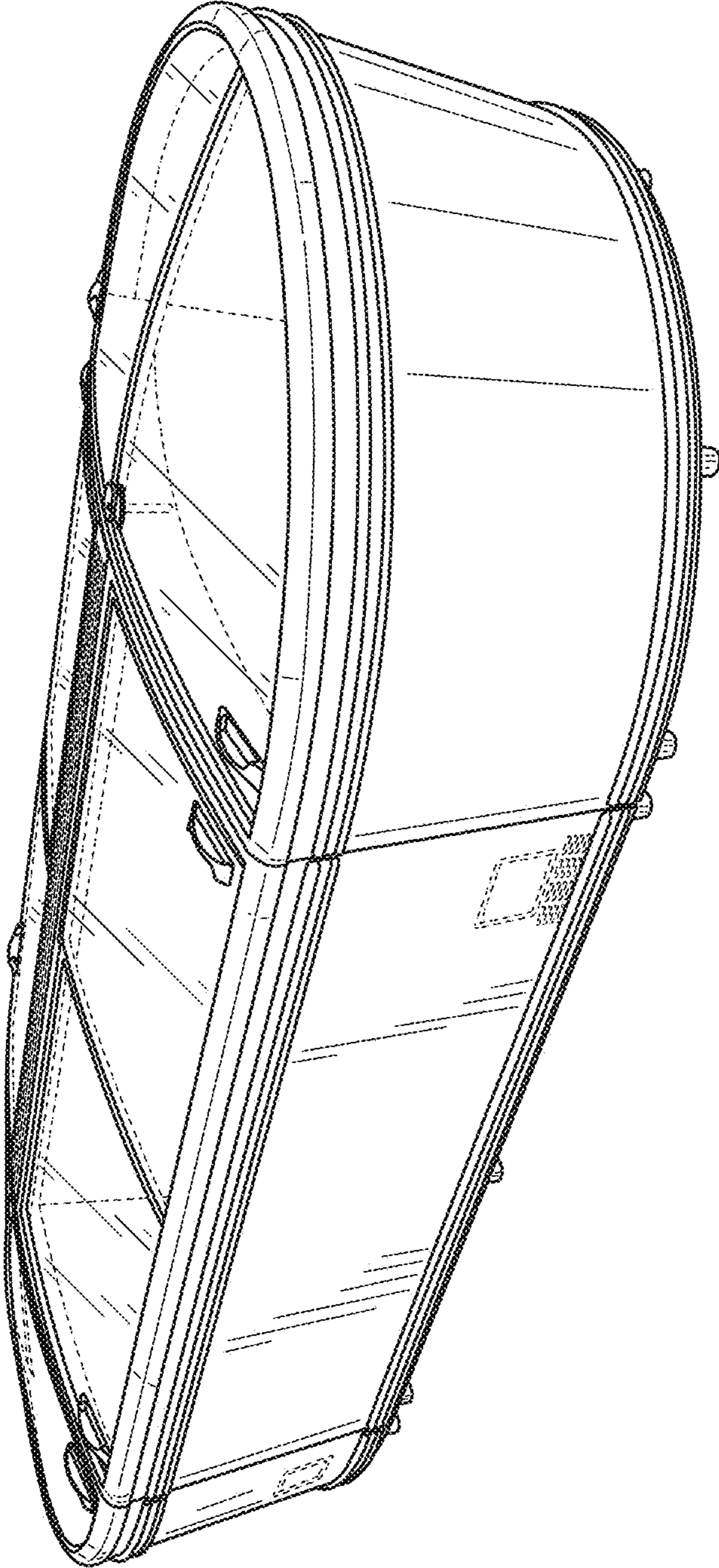


FIG.1

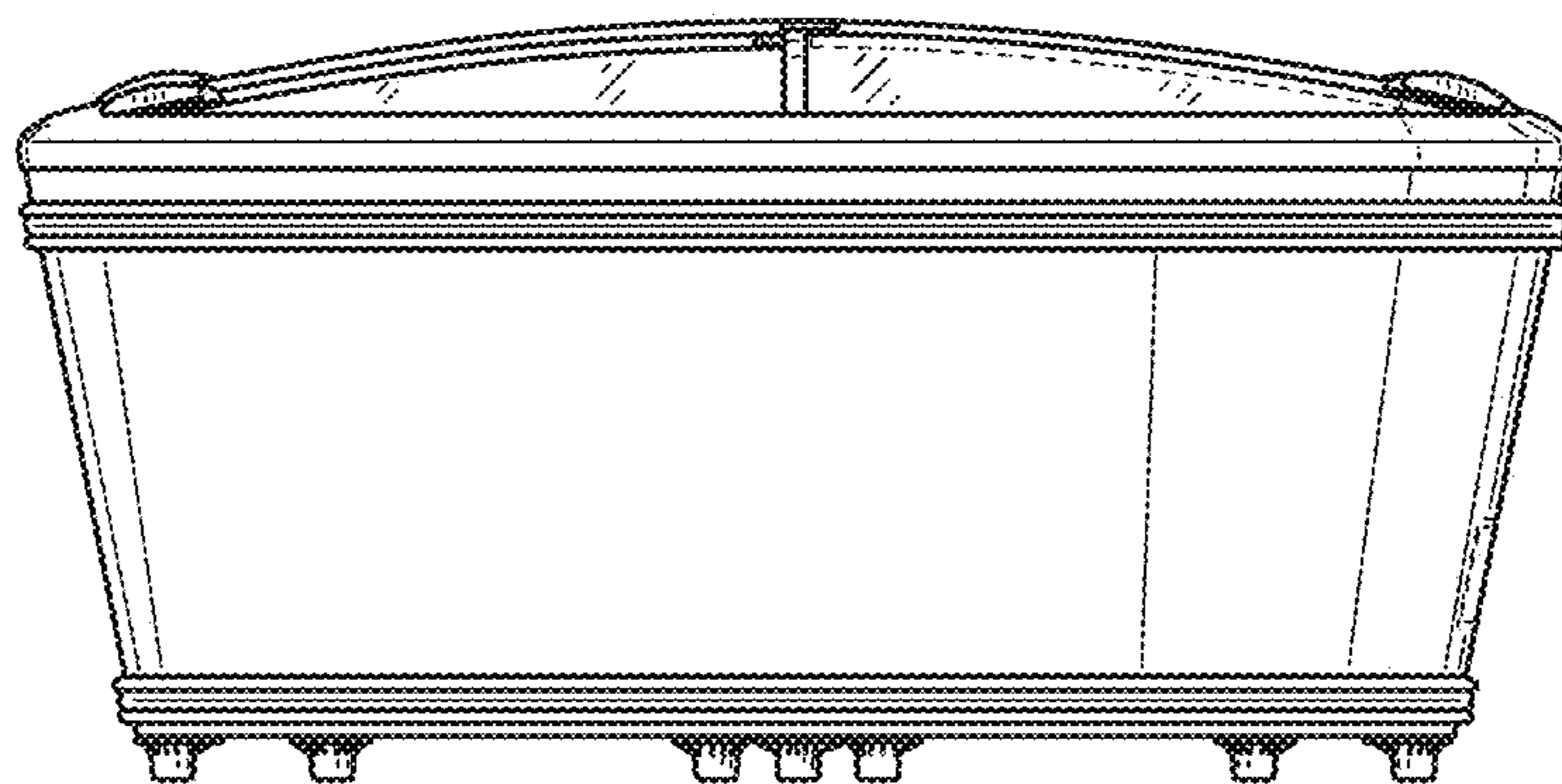


FIG. 2

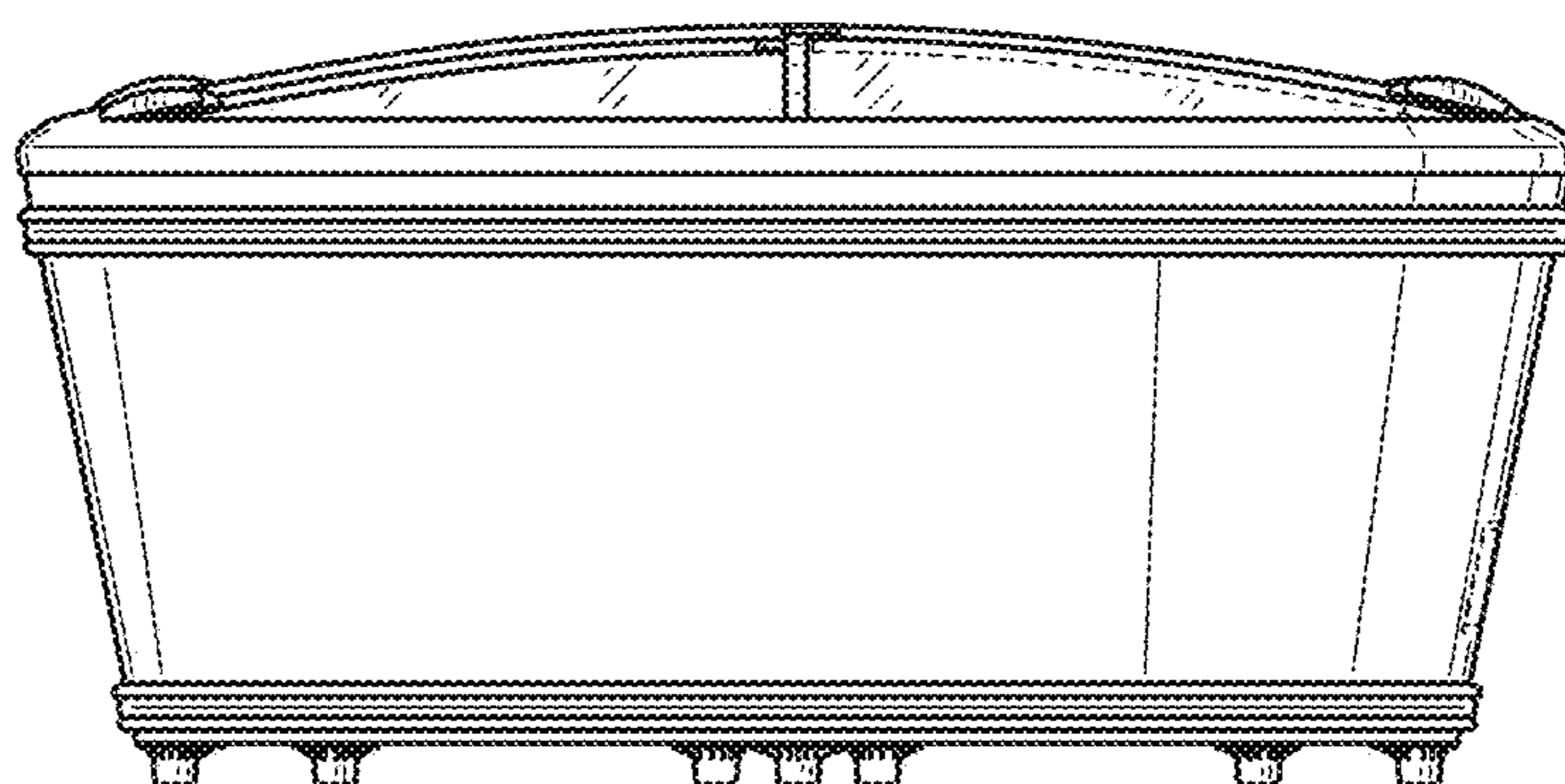


FIG. 3

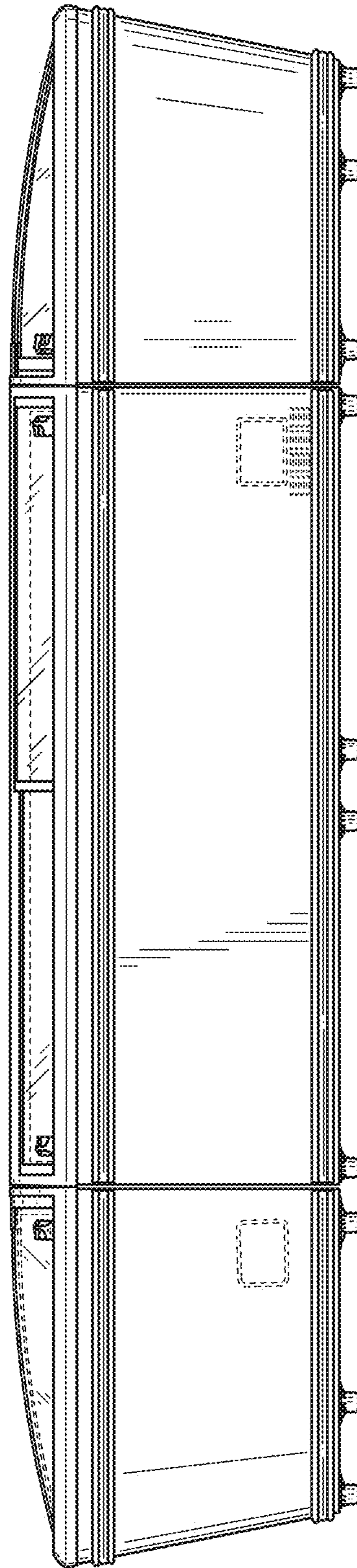


FIG.4

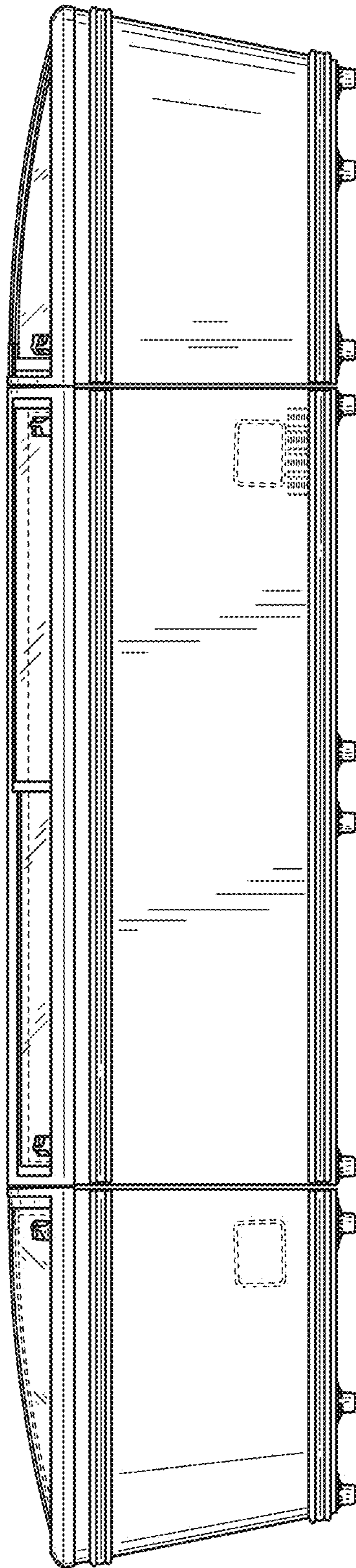


FIG. 5

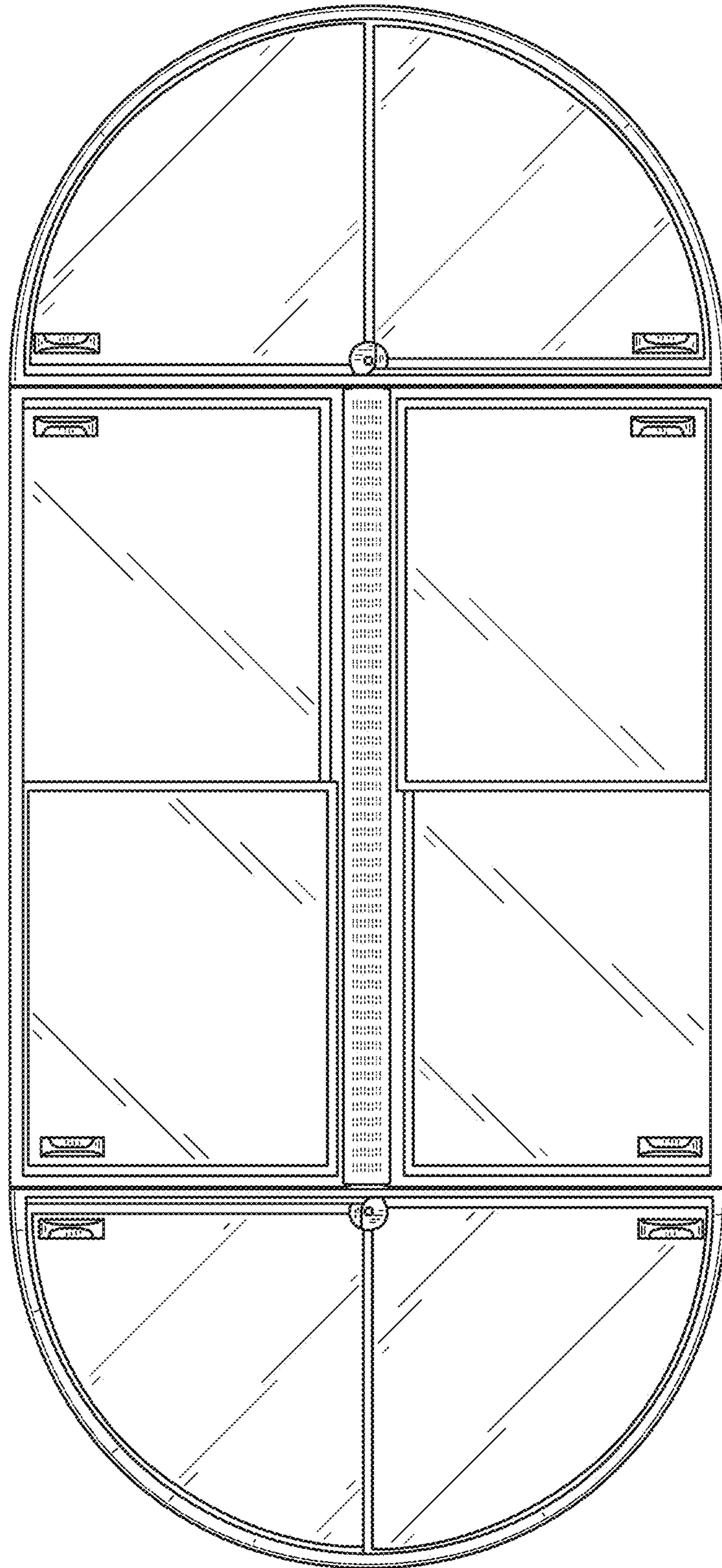


FIG.6

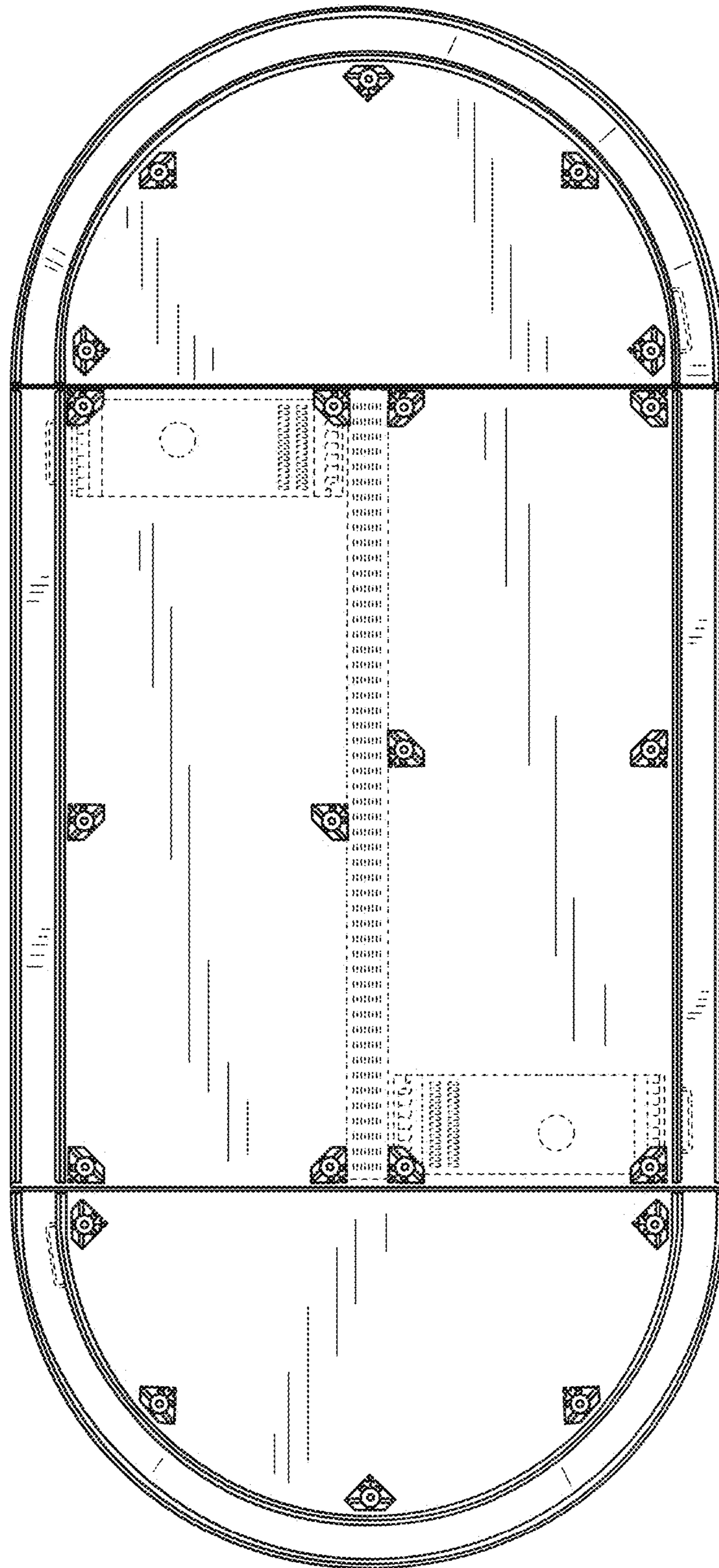


FIG.7