



US00D697951S

(12) **United States Design Patent**
Resch

(10) **Patent No.:** **US D697,951 S**
(45) **Date of Patent:** **** Jan. 21, 2014**

- (54) **REFRIGERATING APPARATUS**
- (75) Inventor: **Reinhold Resch, St. Peter (AT)**
- (73) Assignee: **AHT Cooling Systems GmbH, Rottenmann (AT)**
- (**) Term: **14 Years**
- (21) Appl. No.: **29/431,829**
- (22) Filed: **Sep. 11, 2012**
- (30) **Foreign Application Priority Data**

D524,330 S *	7/2006	Pedersen et al.	D15/81
D530,346 S *	10/2006	Resch	D15/83
D541,313 S *	4/2007	Resch	D15/83
D541,314 S *	4/2007	Resch	D15/83
D541,827 S *	5/2007	Resch	D15/83
D586,366 S *	2/2009	Resch	D15/79
D596,208 S *	7/2009	Cunnane	D15/83
D596,651 S *	7/2009	Li et al.	D15/84
D607,474 S *	1/2010	Pacher	D15/83
D653,683 S *	2/2012	Resch	D15/83
D663,754 S *	7/2012	Pauschitz	D15/83
D671,149 S *	11/2012	Resch	D15/83
D671,569 S *	11/2012	Pauschitz	D15/83
D671,570 S *	11/2012	Resch	D15/83
D678,364 S *	3/2013	Resch	D15/83
D678,365 S *	3/2013	Resch	D15/83

Mar. 21, 2012 (EP) 002012682-0002

- (51) **LOC (10) Cl.** **15-07**
- (52) **U.S. Cl.**
USPC **D15/83**
- (58) **Field of Classification Search**
USPC D15/79-84; 62/3.1, 3.6-3.64, 45.1,
62/293, 331, 371, 440, 467, 529, 531, 125,
62/255, 457.3-457.9; 312/236, 352,
312/400-409, 116, 238.1; 220/349
See application file for complete search history.

* cited by examiner

Primary Examiner — Mitchell Siegel

(74) *Attorney, Agent, or Firm* — Hogan Lovells US LLP

(57) **CLAIM**

The ornamental design for a refrigerating apparatus, as shown and described.

DESCRIPTION

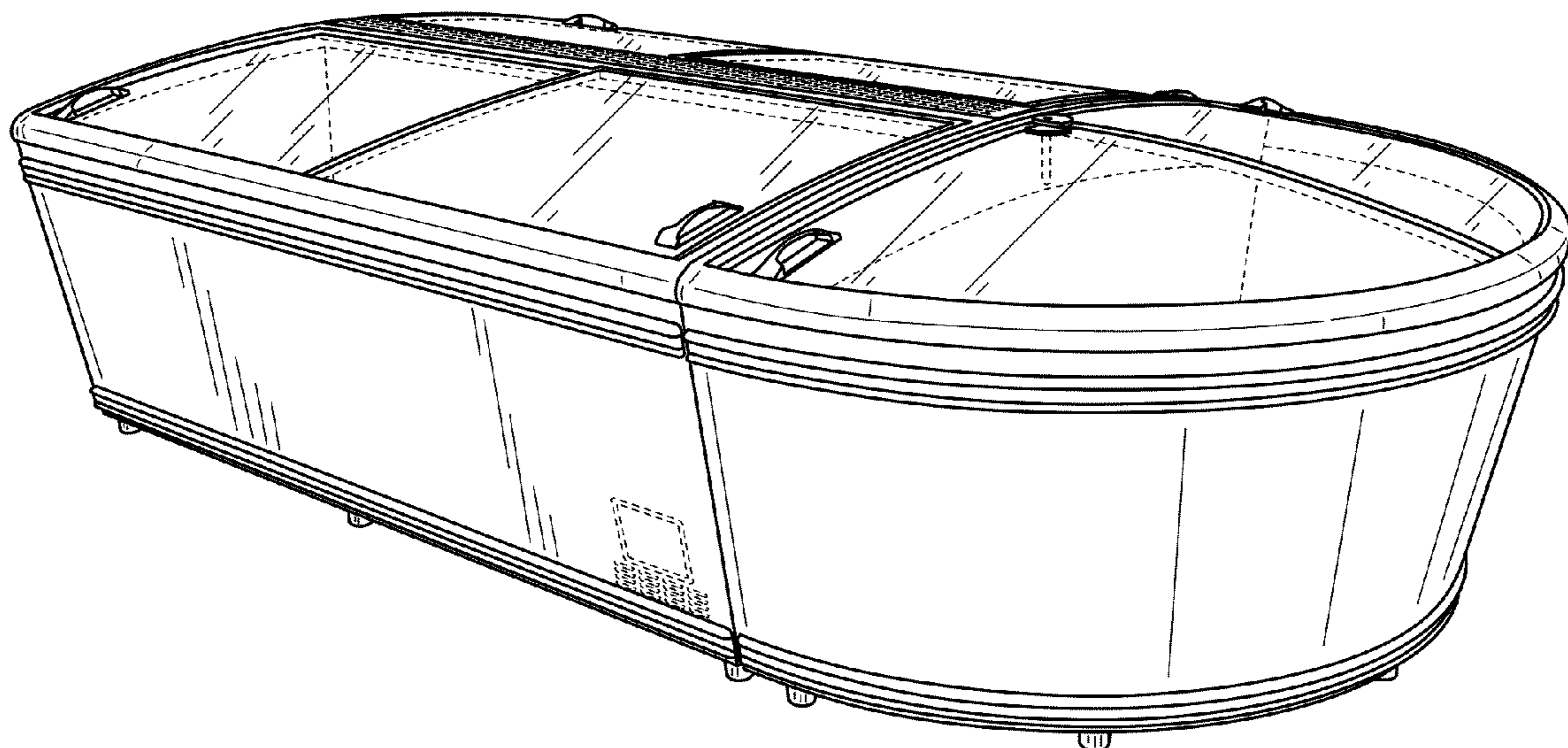
FIG. 1 is a perspective view of a refrigerating apparatus showing the design;
 FIG. 2 is a front view thereof;
 FIG. 3 is a back view thereof;
 FIG. 4 is a right side view thereof;
 FIG. 5 is a left side view thereof;
 FIG. 6 is a top view thereof; and,
 FIG. 7 is a bottom view thereof.
 The elements depicted in broken lines form no part of the claimed design.

(56) **References Cited**

U.S. PATENT DOCUMENTS

2,276,635 A *	3/1942	Weber	220/349
D439,913 S *	4/2001	Jobst	D15/84
D449,845 S *	10/2001	Reese et al.	D15/83
D477,616 S *	7/2003	Resch	D15/83
D477,617 S *	7/2003	Resch	D15/83
D483,045 S *	12/2003	Resch	D15/83
D520,529 S *	5/2006	Resch	D15/83
D520,530 S *	5/2006	Resch	D15/83
D521,029 S *	5/2006	Resch	D15/83

1 Claim, 6 Drawing Sheets



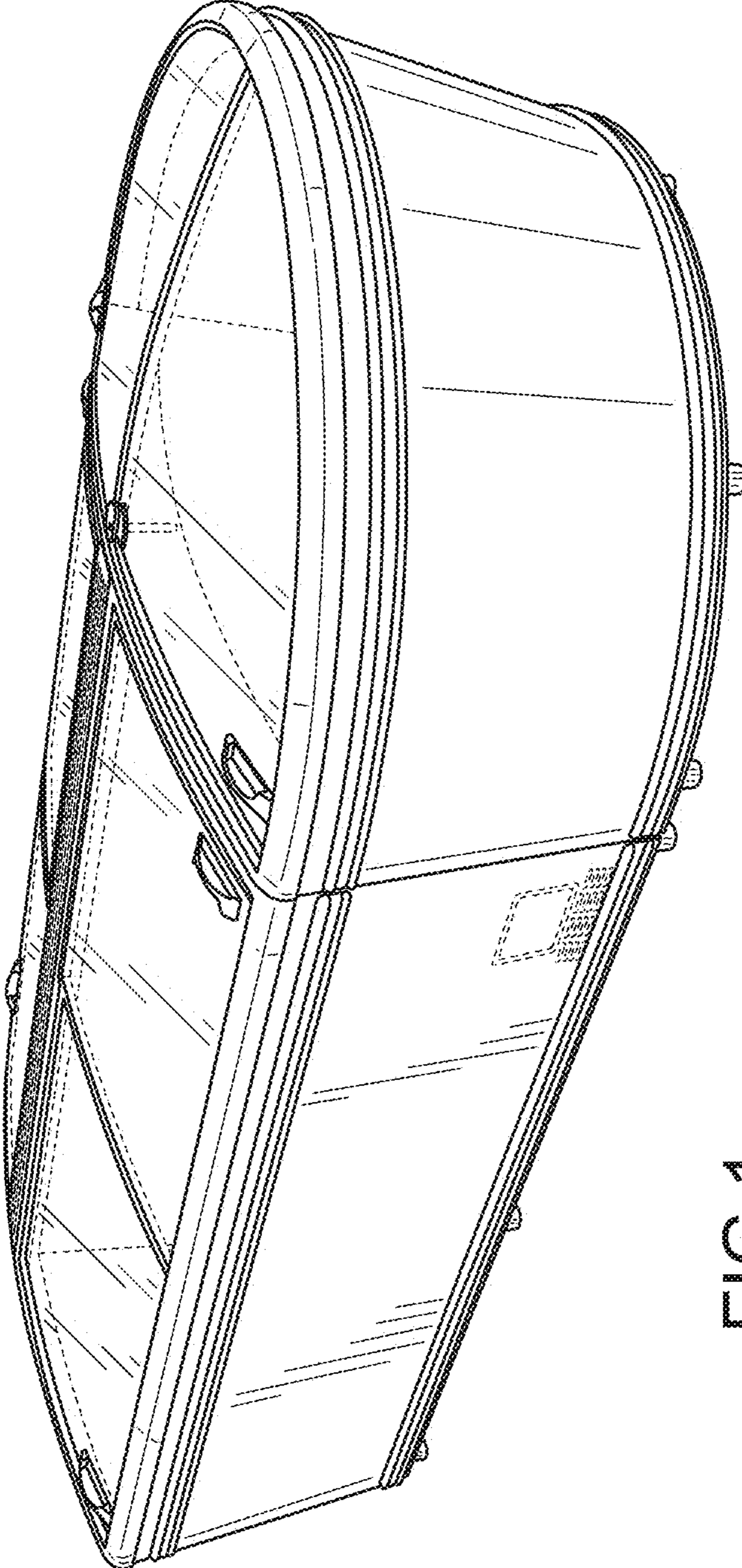


FIG.1

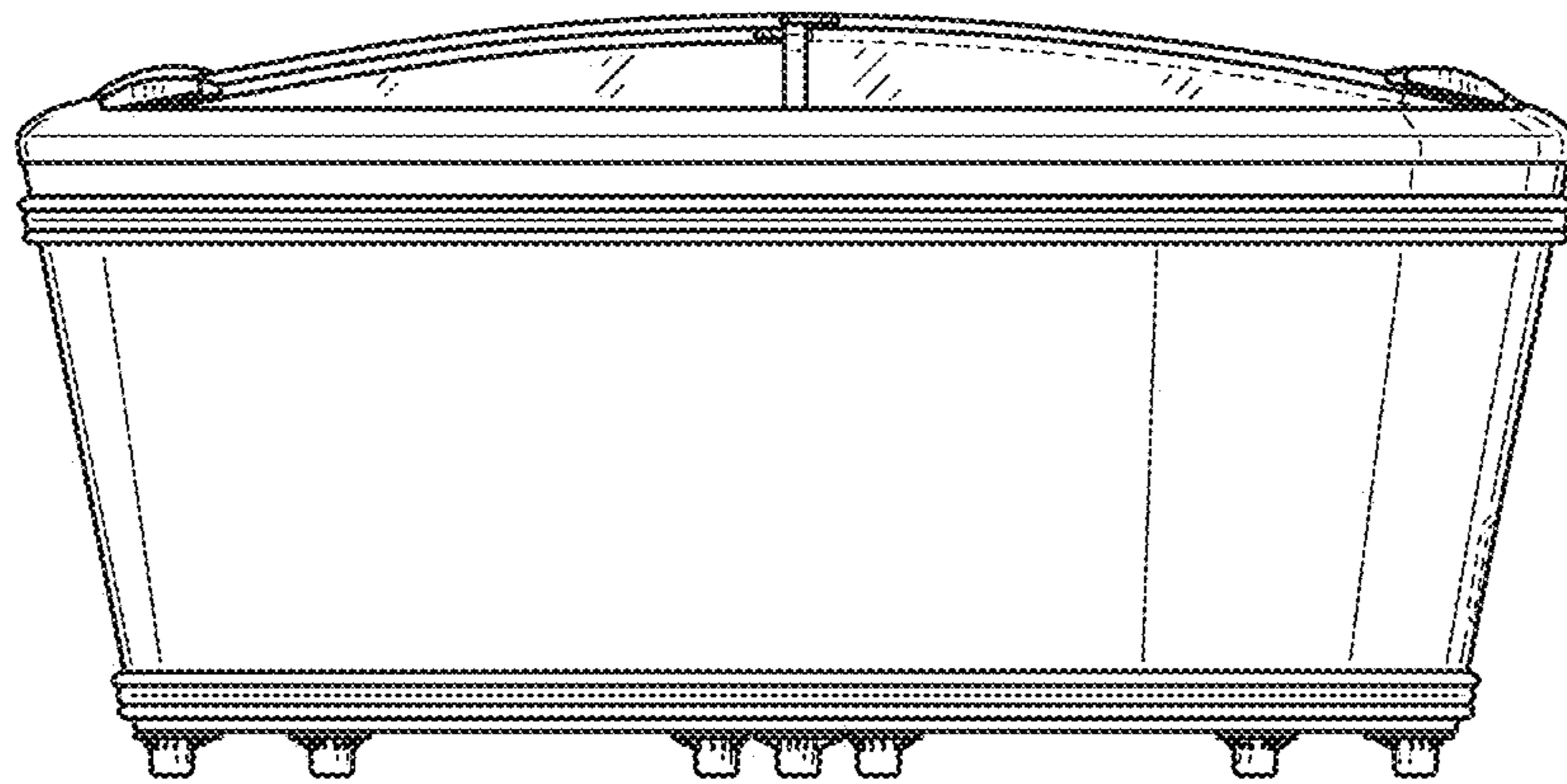


FIG.2

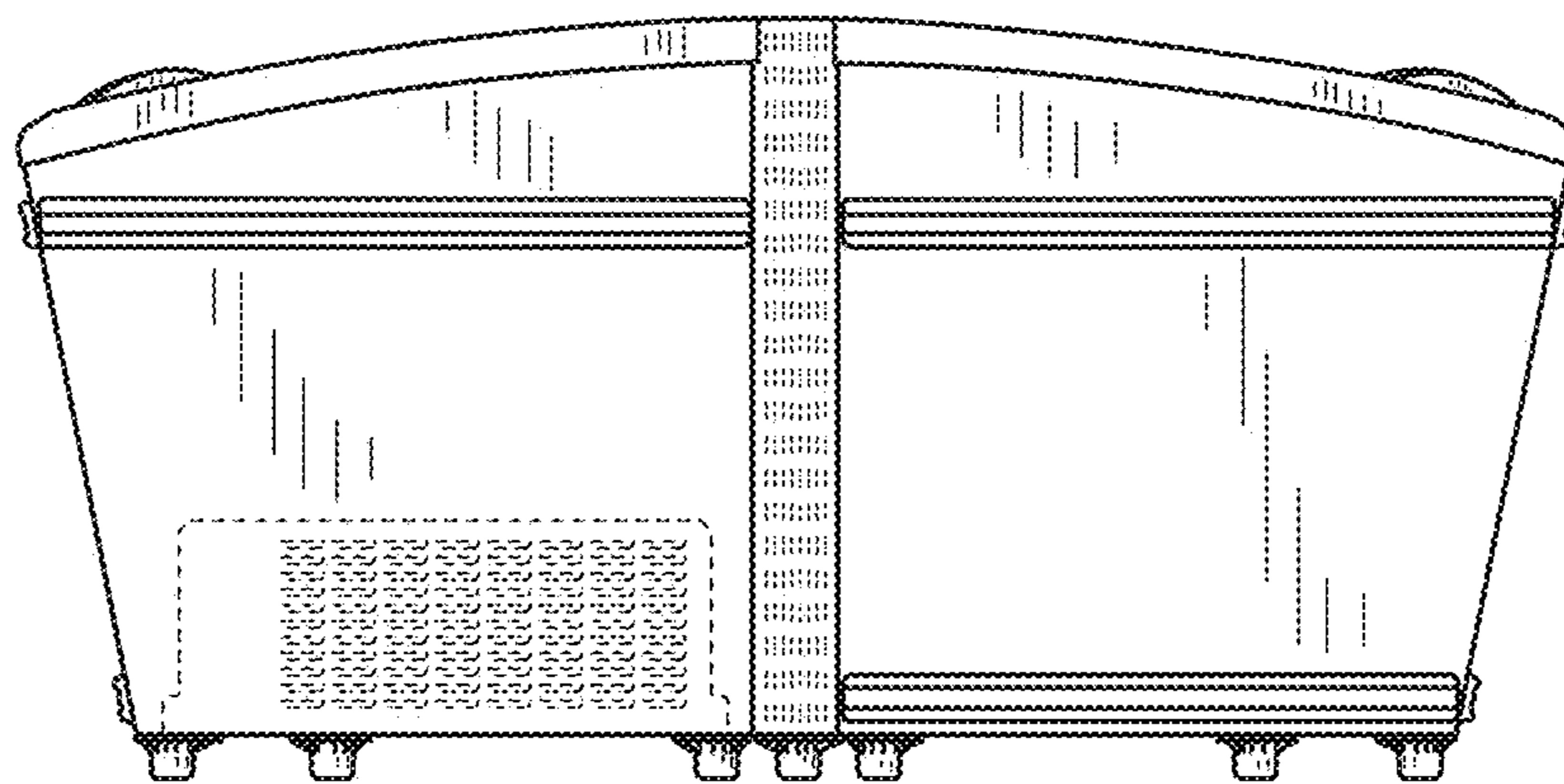


FIG.3

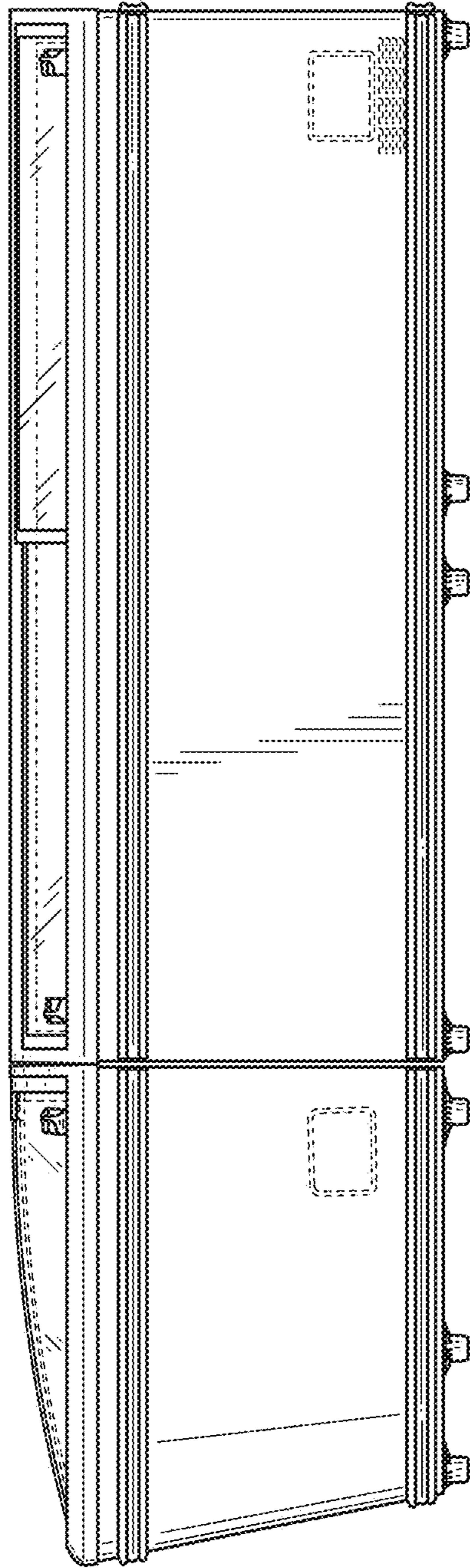


FIG.4

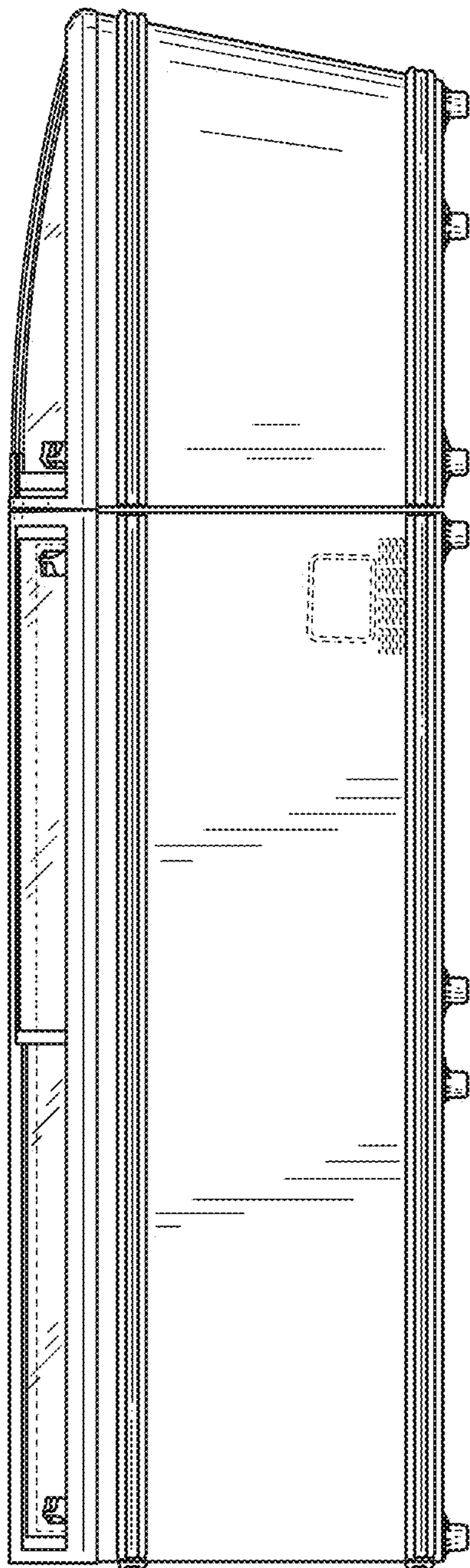


FIG. 5

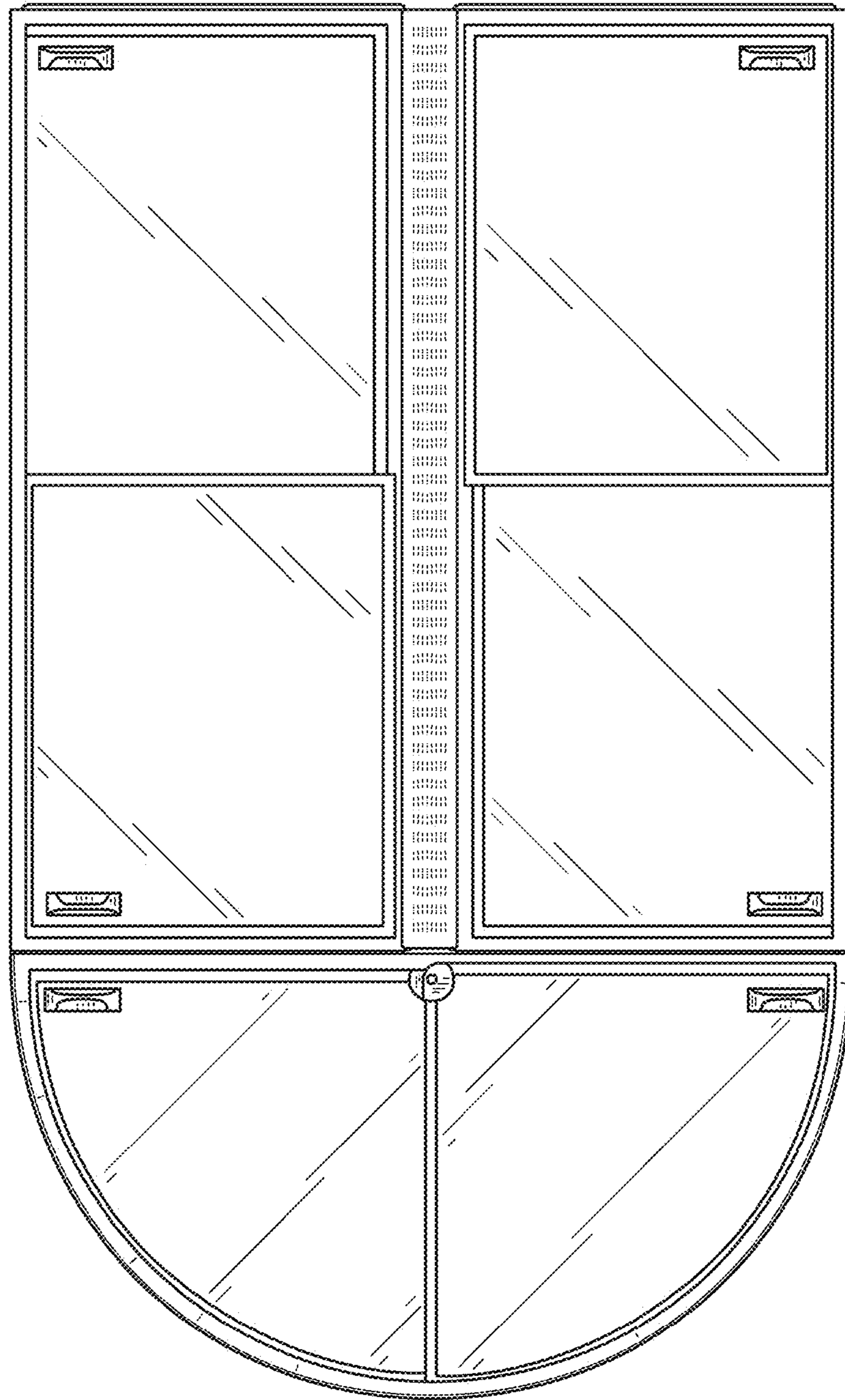


FIG. 6

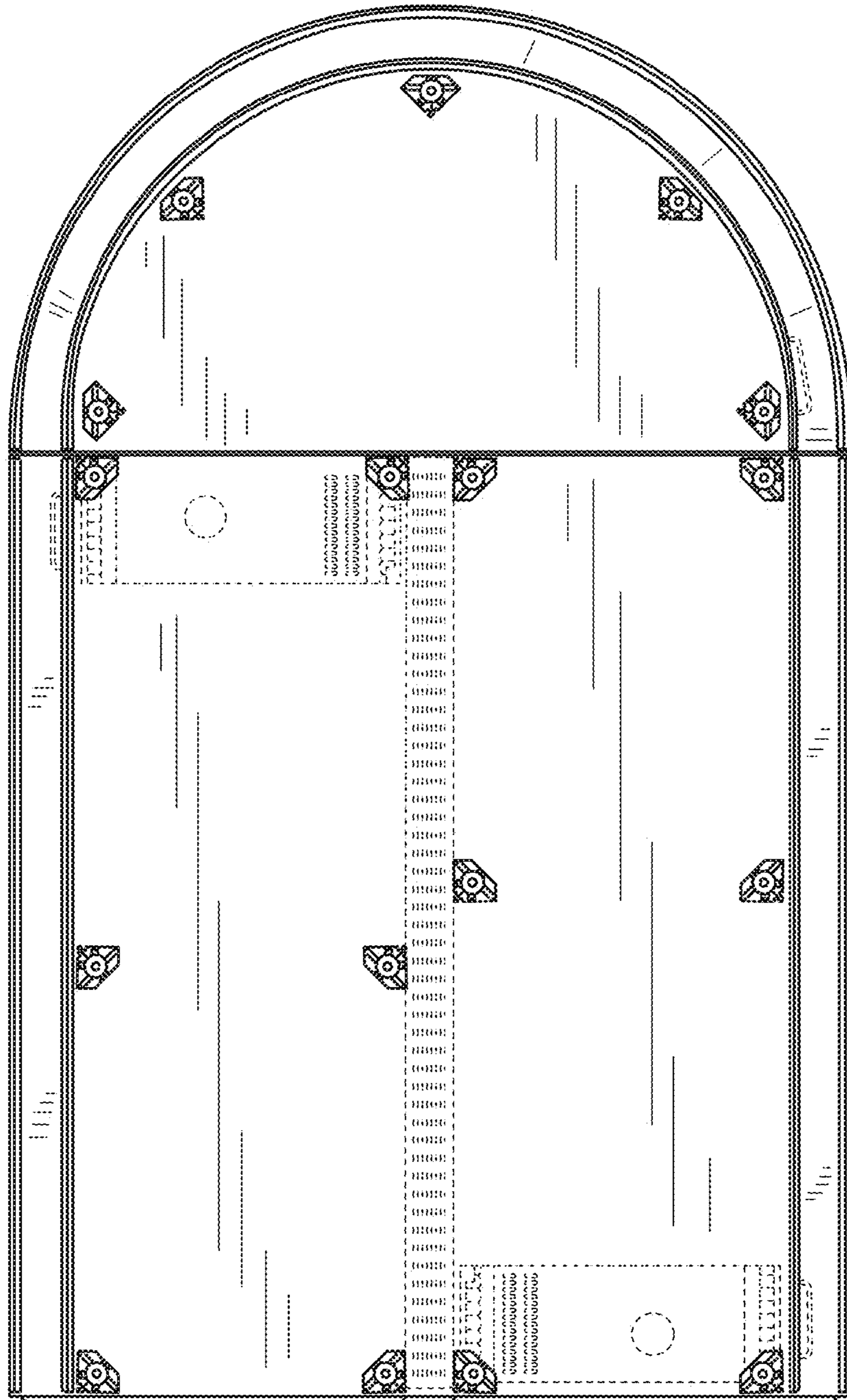


FIG.7