



US00D697950S

(12) **United States Design Patent**
Resch

(10) **Patent No.:** **US D697,950 S**
(45) **Date of Patent:** **** Jan. 21, 2014**

- (54) **REFRIGERATING APPARATUS**
- (75) Inventor: **Reinhold Resch**, St. Peter (AT)
- (73) Assignee: **AHT Cooling Systems GmbH**,
Rotenmann (AT)
- (**) Term: **14 Years**
- (21) Appl. No.: **29/431,826**
- (22) Filed: **Sep. 11, 2012**
- (30) **Foreign Application Priority Data**

| | | | | | | |
|----------|---|---|---------|-----------------|-------|--------|
| D521,029 | S | * | 5/2006 | Resch | | D15/83 |
| D524,330 | S | * | 7/2006 | Pedersen et al. | | D15/81 |
| D530,346 | S | * | 10/2006 | Resch | | D15/83 |
| D541,313 | S | * | 4/2007 | Resch | | D15/83 |
| D541,314 | S | * | 4/2007 | Resch | | D15/83 |
| D541,827 | S | * | 5/2007 | Resch | | D15/83 |
| D586,366 | S | * | 2/2009 | Resch | | D15/79 |
| D596,208 | S | * | 7/2009 | Cunnane | | D15/83 |
| D596,651 | S | * | 7/2009 | Li et al. | | D15/84 |
| D607,474 | S | * | 1/2010 | Pacher | | D15/83 |
| D653,683 | S | * | 2/2012 | Resch | | D15/83 |
| D663,754 | S | * | 7/2012 | Pauschitz | | D15/83 |
| D671,149 | S | * | 11/2012 | Resch | | D15/83 |
| D671,569 | S | * | 11/2012 | Pauschitz | | D15/83 |
| D671,570 | S | * | 11/2012 | Resch | | D15/83 |
| D678,364 | S | * | 3/2013 | Resch | | D15/83 |
| D678,365 | S | * | 3/2013 | Resch | | D15/83 |

Mar. 21, 2012 (EM) 002012682-0001

- (51) **LOC (10) Cl.** **15-07**
- (52) **U.S. Cl.**
USPC **D15/83**
- (58) **Field of Classification Search**
USPC D15/79-84; 62/3.1, 3.6-3.64, 45.1,
62/293, 331, 371, 440, 467, 529, 531, 125,
62/255, 457.3-457.9; 312/236, 352,
312/400-409, 116, 238.1; 220/349, 345.5,
220/345.6, 378

See application file for complete search history.

(56) **References Cited**

U.S. PATENT DOCUMENTS

| | | | | | | |
|-----------|---|---|---------|--------------|-------|---------|
| 2,276,635 | A | * | 3/1942 | Weber | | 220/349 |
| D439,913 | S | * | 4/2001 | Jobst | | D15/84 |
| D449,845 | S | * | 10/2001 | Reese et al. | | D15/83 |
| D477,616 | S | * | 7/2003 | Resch | | D15/83 |
| D477,617 | S | * | 7/2003 | Resch | | D15/83 |
| D483,045 | S | * | 12/2003 | Resch | | D15/83 |
| D520,529 | S | * | 5/2006 | Resch | | D15/83 |
| D520,530 | S | * | 5/2006 | Resch | | D15/83 |

* cited by examiner

Primary Examiner — Mitchell Siegel

(74) *Attorney, Agent, or Firm* — Hogan Lovells US LLP

(57) **CLAIM**

The ornamental design for a refrigerating apparatus, as shown and described.

DESCRIPTION

FIG. 1 is a perspective view of a refrigerating apparatus showing the design;

FIG. 2 is a front view thereof;

FIG. 3 is a back view thereof;

FIG. 4 is a right side view thereof;

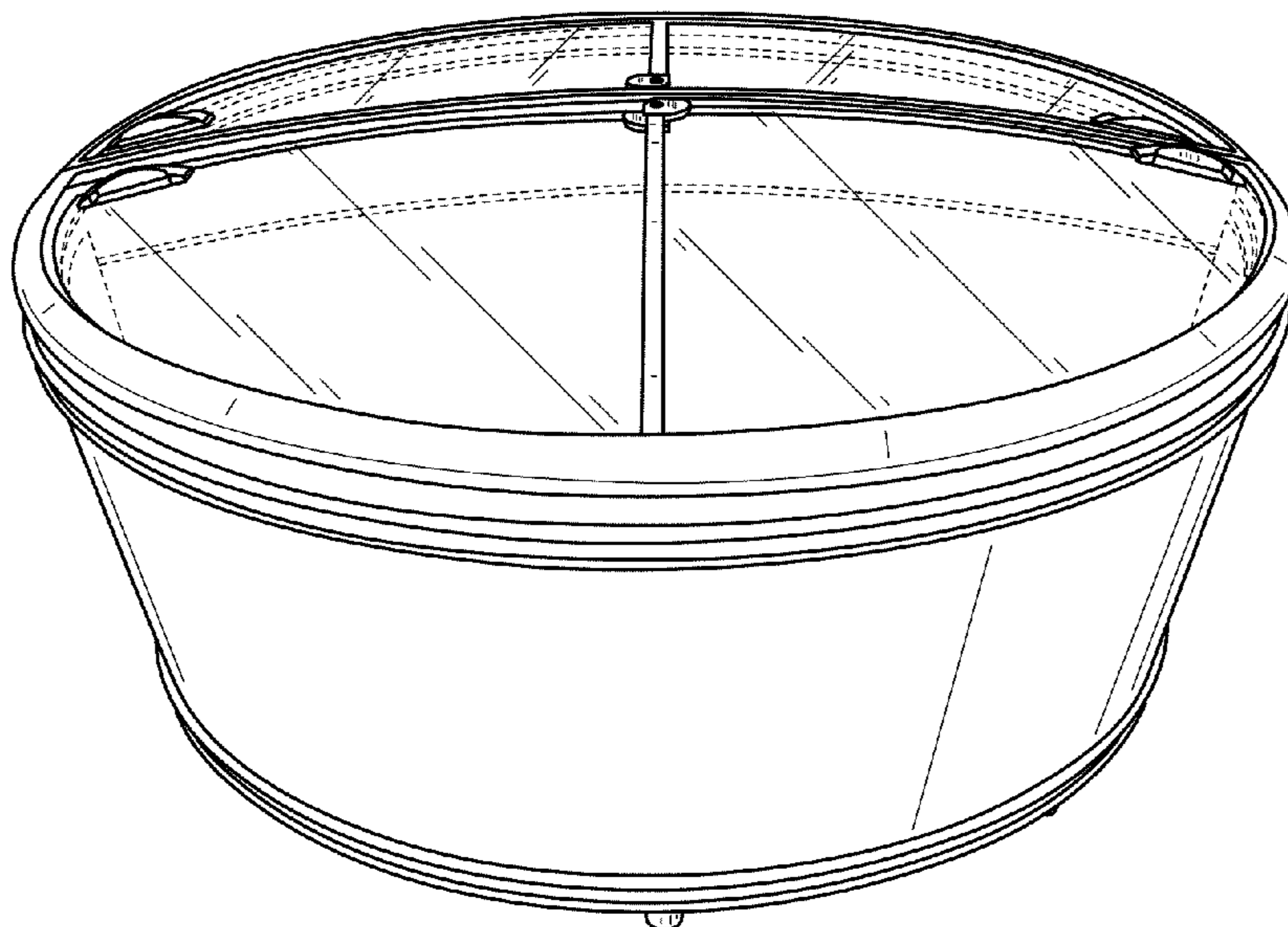
FIG. 5 is a left side view thereof;

FIG. 6 is a top view thereof; and,

FIG. 7 is a bottom view thereof.

The elements depicted in broken lines form no part of the claimed design.

1 Claim, 5 Drawing Sheets



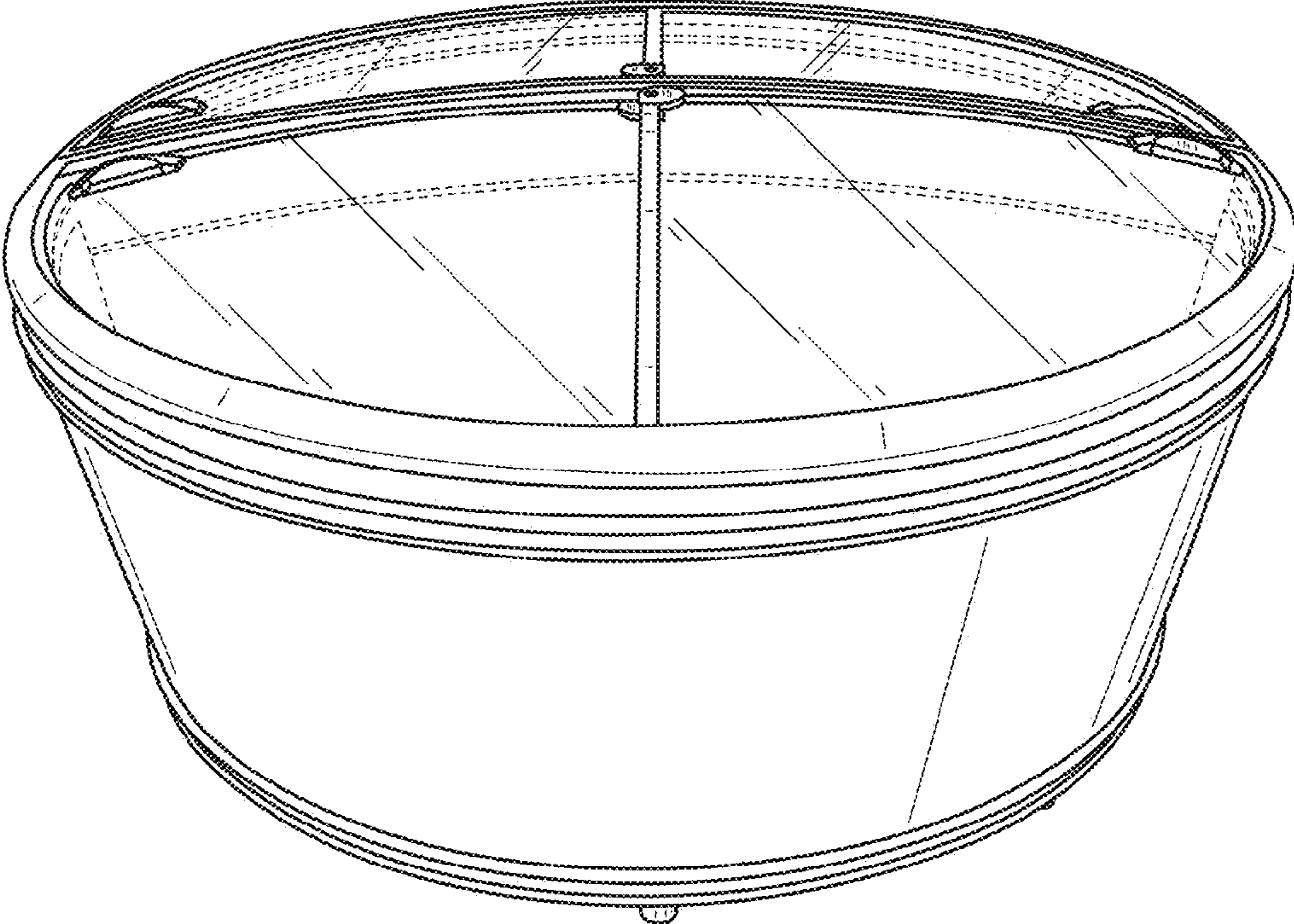


FIG.1

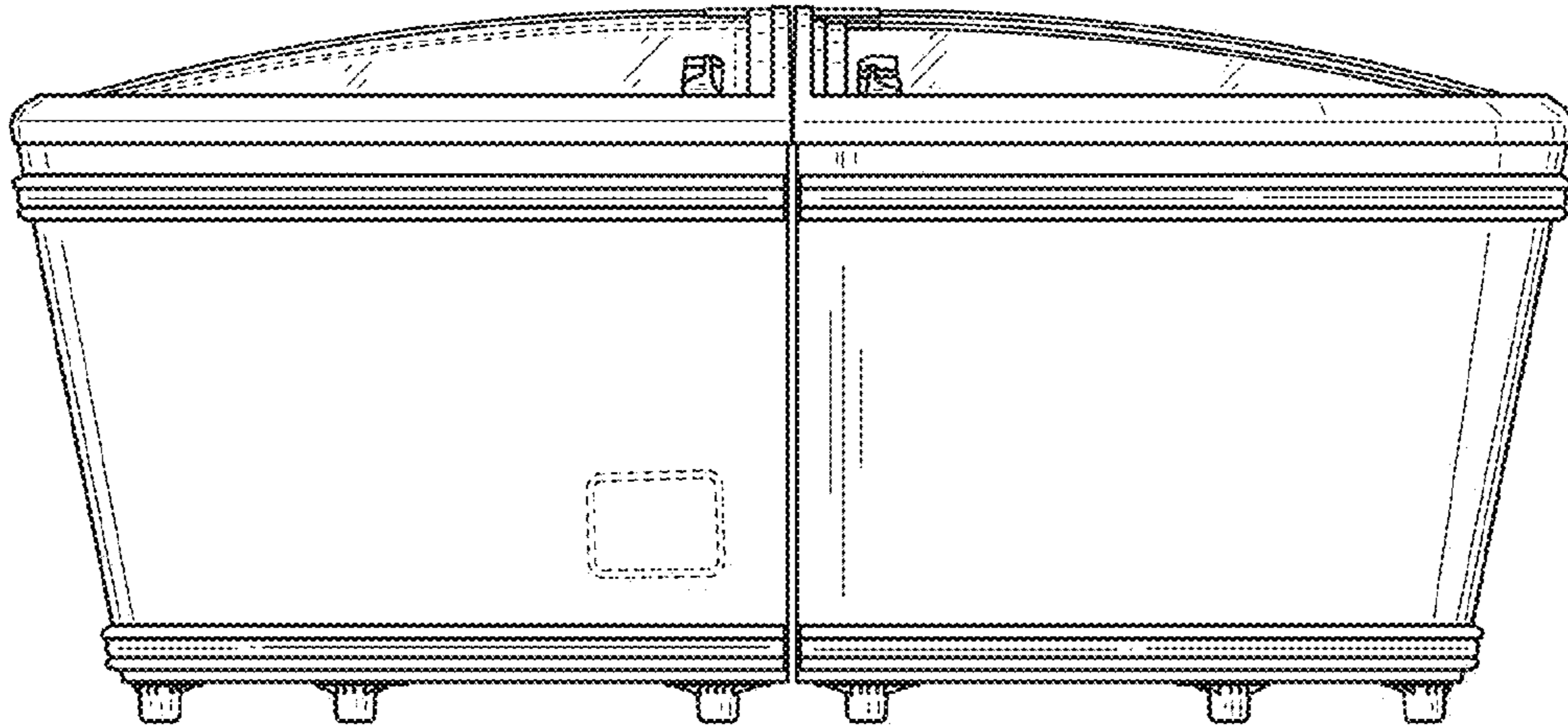


FIG. 2

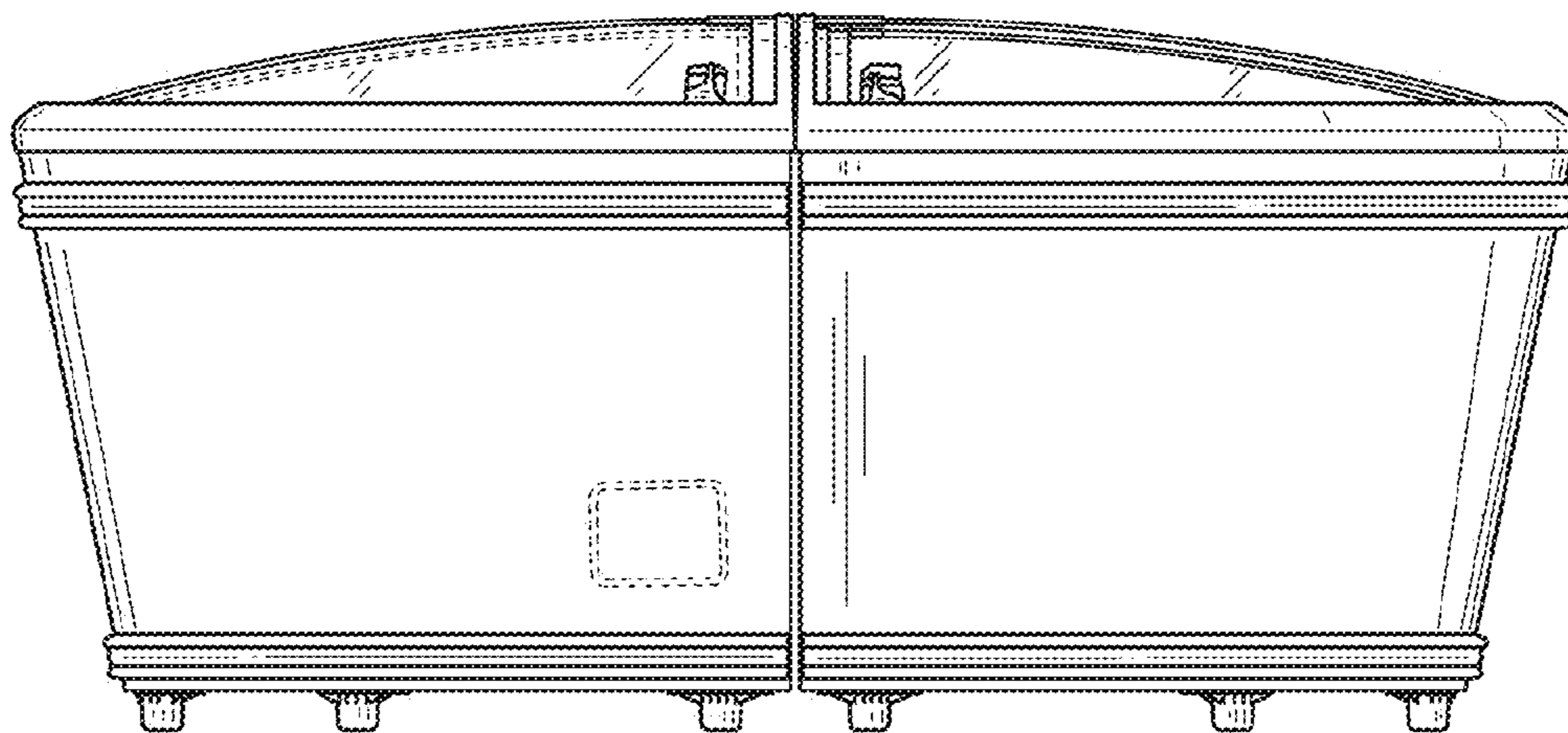


FIG. 3

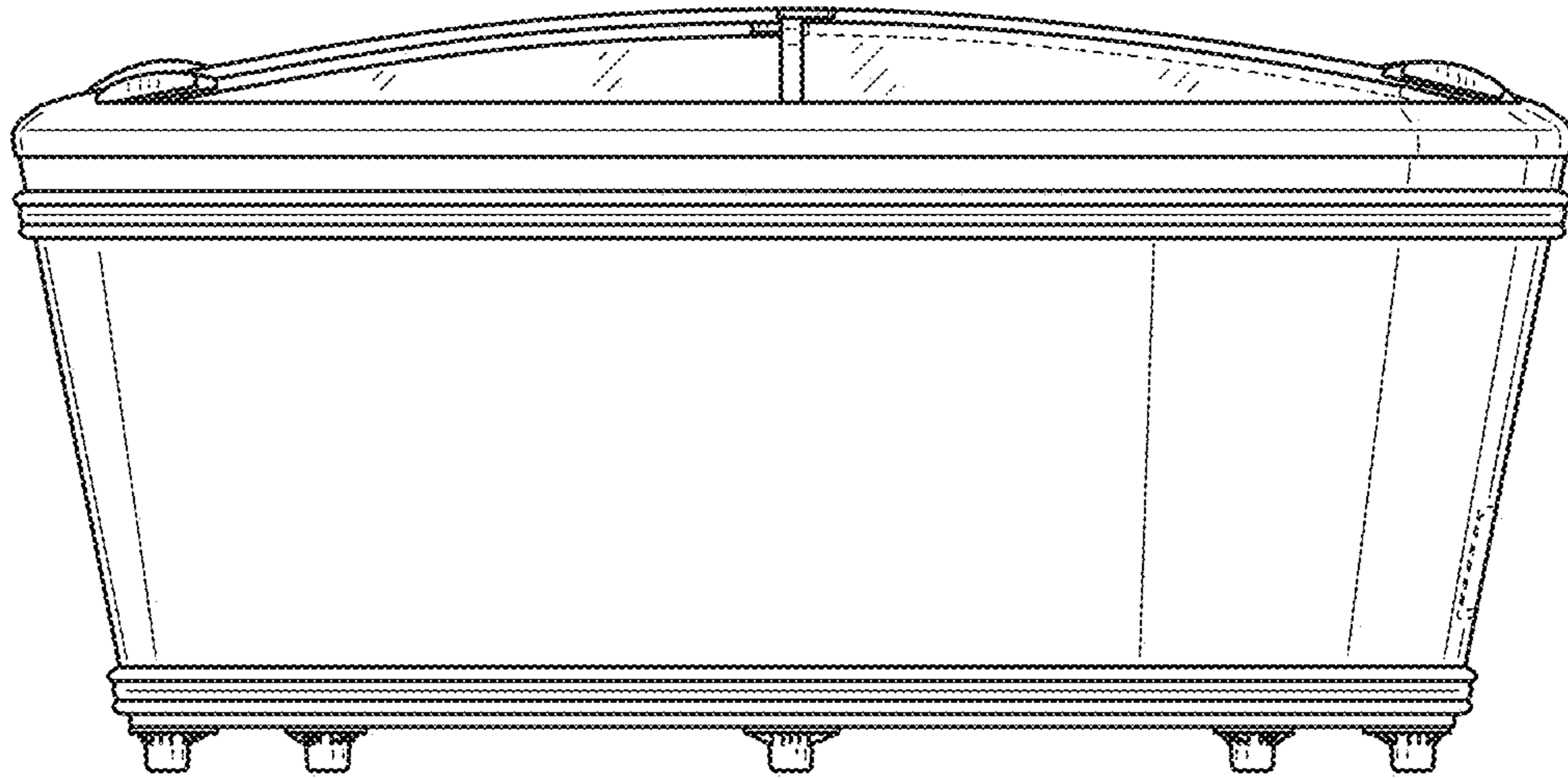


FIG. 4

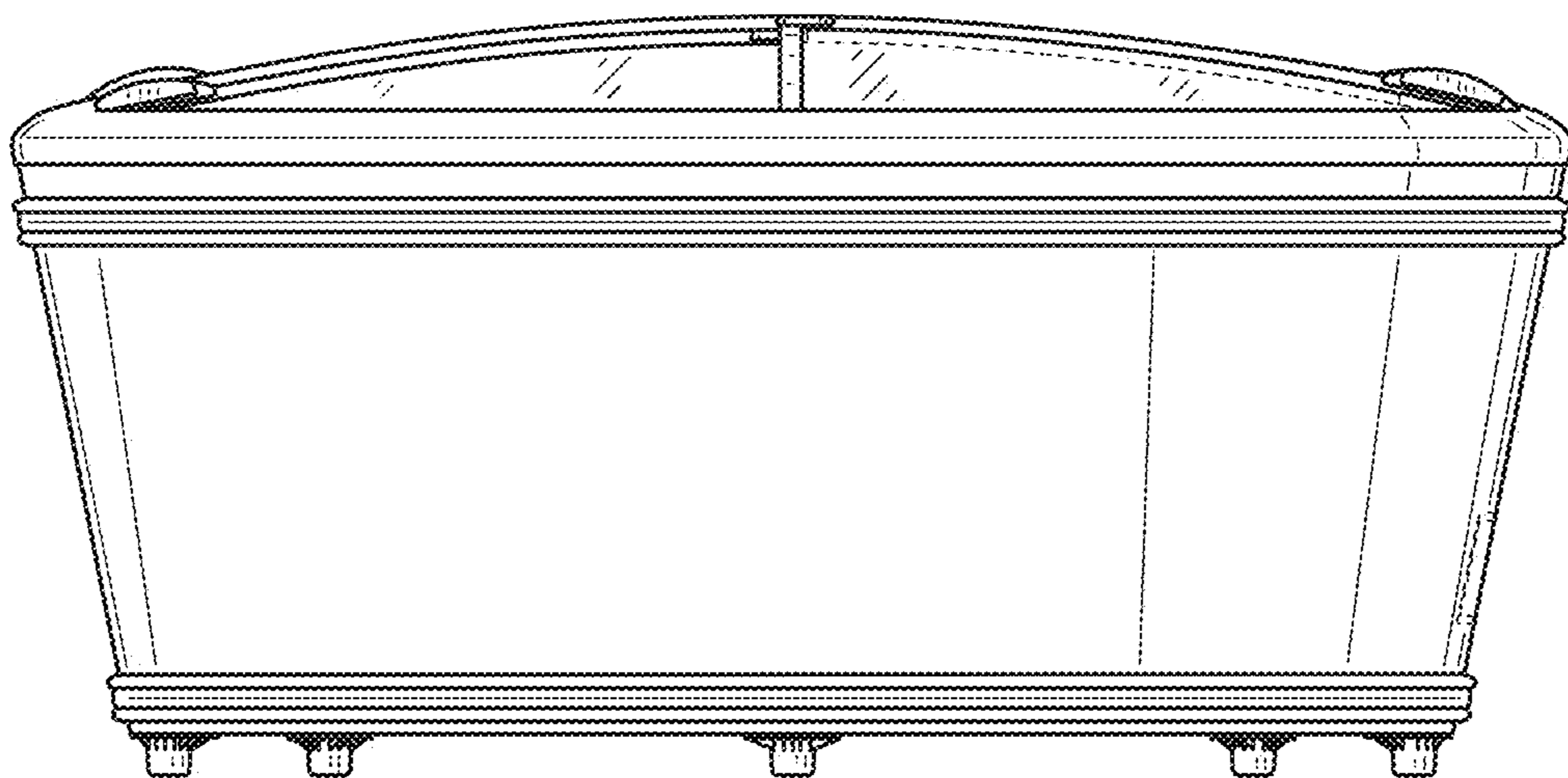


FIG. 5

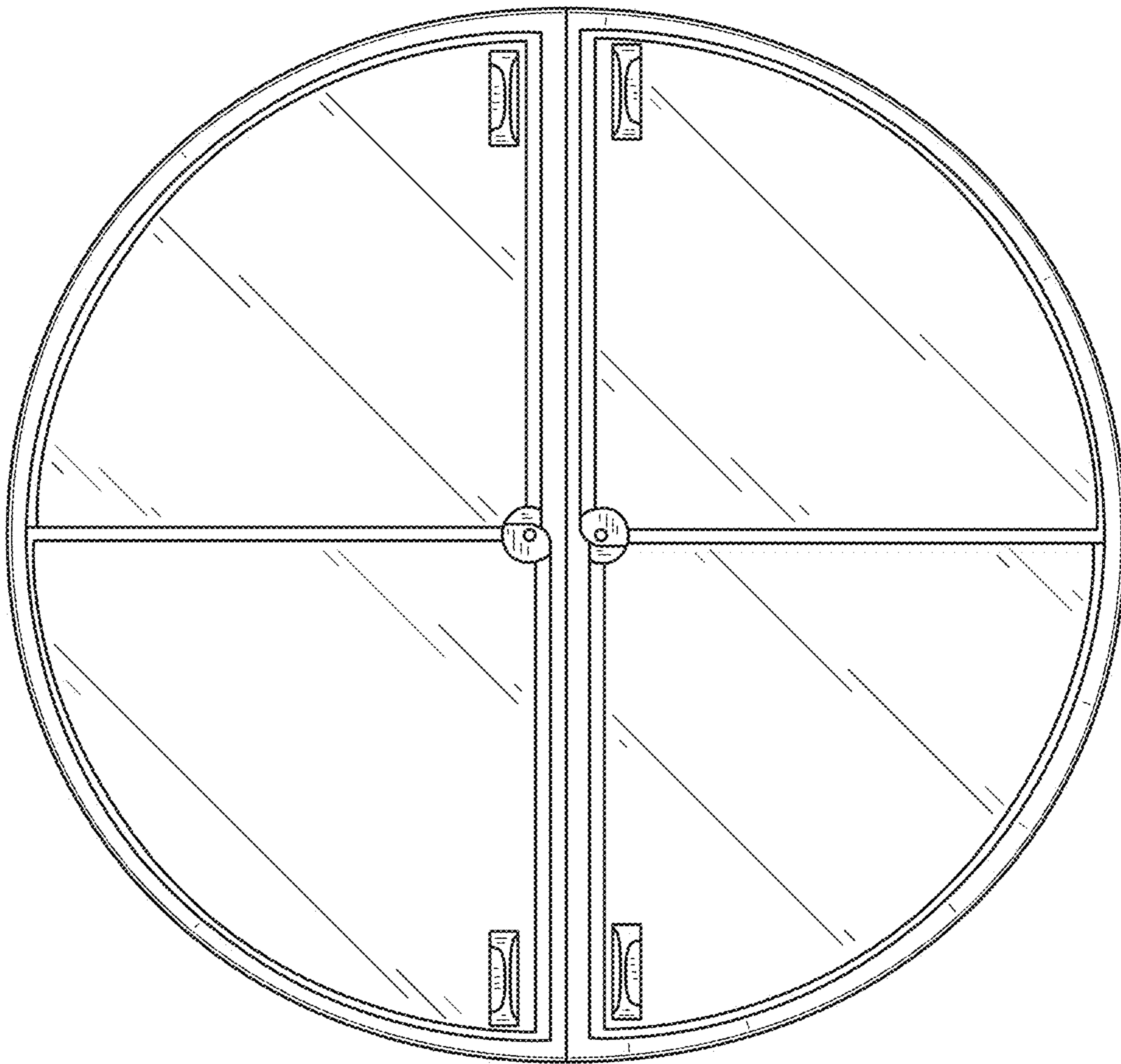


FIG.6

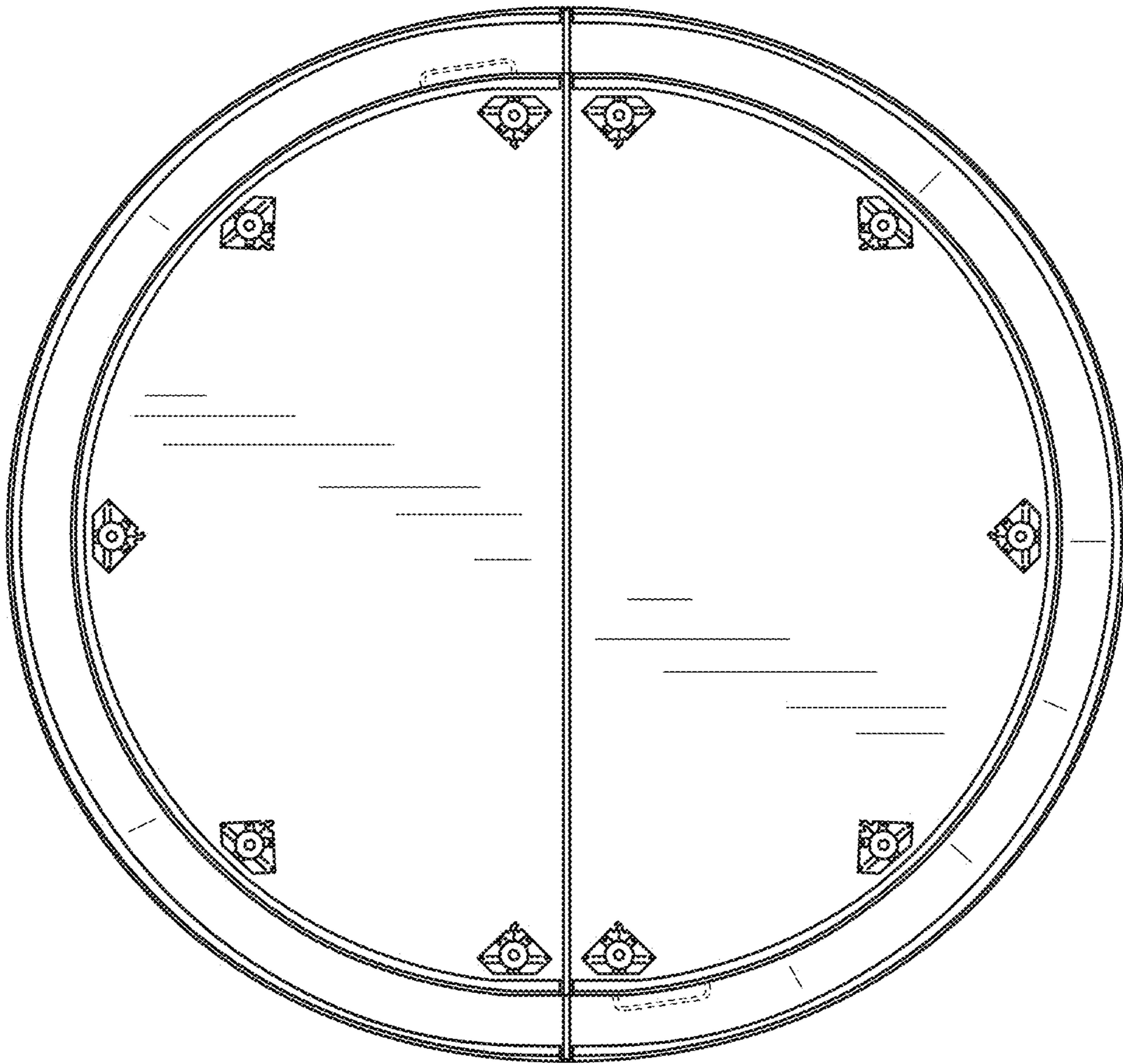


FIG.7