



US00D697949S

(12) **United States Design Patent**
Moseley

(10) **Patent No.:** **US D697,949 S**
(45) **Date of Patent:** **** Jan. 21, 2014**

(54) **SEWING PLATFORM**

(71) Applicant: **Alan Moseley**, Noble, OK (US)

(72) Inventor: **Alan Moseley**, Noble, OK (US)

(**) Term: **14 Years**

(21) Appl. No.: **29/439,928**

(22) Filed: **Dec. 17, 2012**

(51) **LOC (10) Cl.** **15-06**

(52) **U.S. Cl.**
USPC **D15/72**

(58) **Field of Classification Search**
USPC D15/66-72, 78; 359/809-811, 818
See application file for complete search history.

(56) **References Cited**

U.S. PATENT DOCUMENTS

882,100 A * 3/1908 Day 359/723
1,175,274 A * 3/1916 Klorer 82/152
1,470,890 A * 10/1923 Stone 359/813

2,554,544 A * 5/1951 Warner 359/809
3,361,513 A * 1/1968 Pantazos 359/810
3,822,088 A * 7/1974 Steiner 359/809
5,931,167 A * 8/1999 Coleman 132/73.5

* cited by examiner

Primary Examiner — Mitchell Siegel

(74) *Attorney, Agent, or Firm* — QuickPatents; Kevin Prince

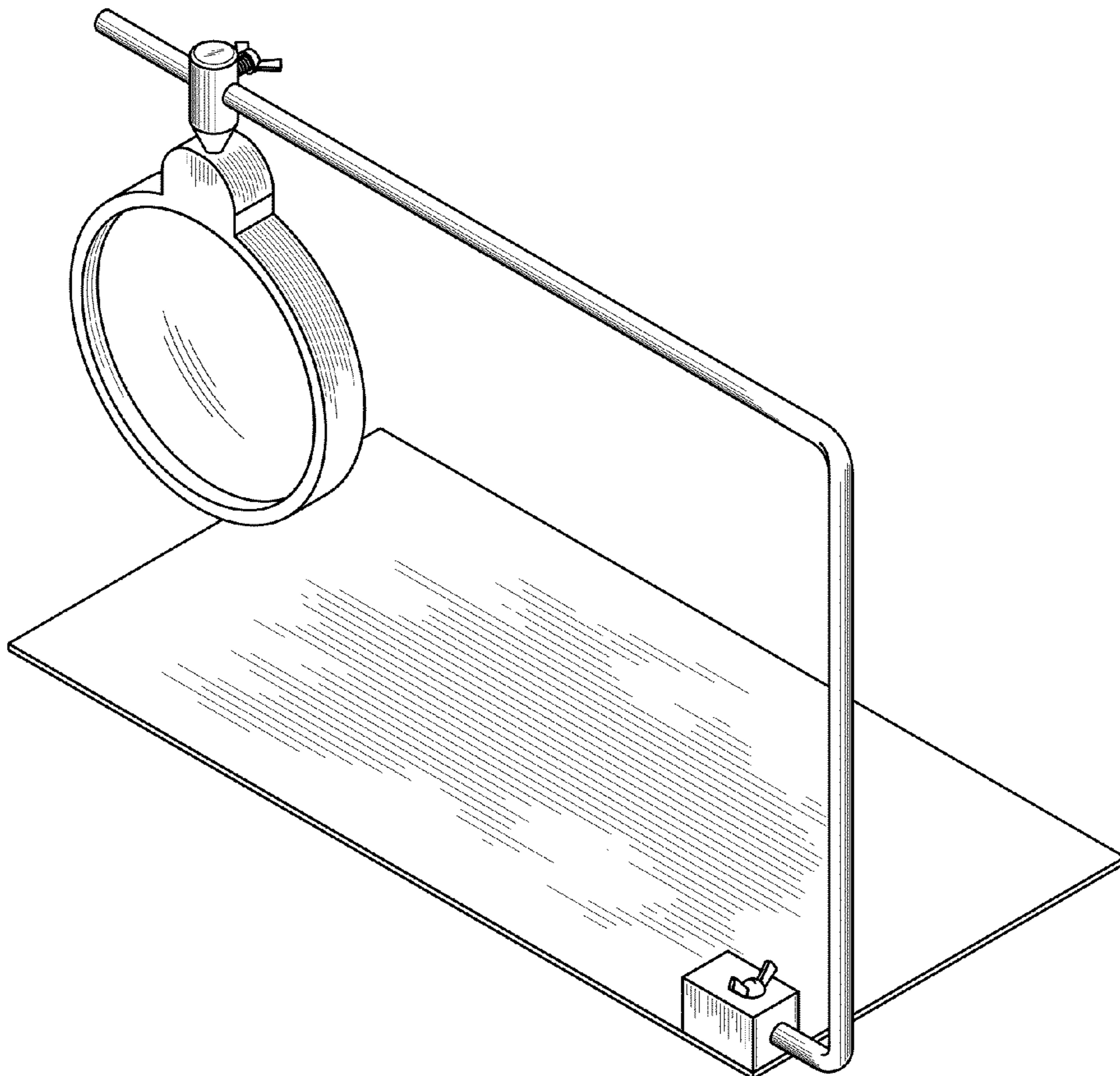
(57) **CLAIM**

I claim the ornamental design for a sewing platform, as shown and described.

DESCRIPTION

FIG. 1 is a perspective view of a sewing platform, showing my new design;
FIG. 2 is a rear elevational view thereof;
FIG. 3 is a front elevational view thereof;
FIG. 4 is a left-side elevational view thereof;
FIG. 5 is a right-side elevational view thereof;
FIG. 6 is a top plan view thereof; and,
FIG. 7 is a bottom plan view thereof.

1 Claim, 4 Drawing Sheets



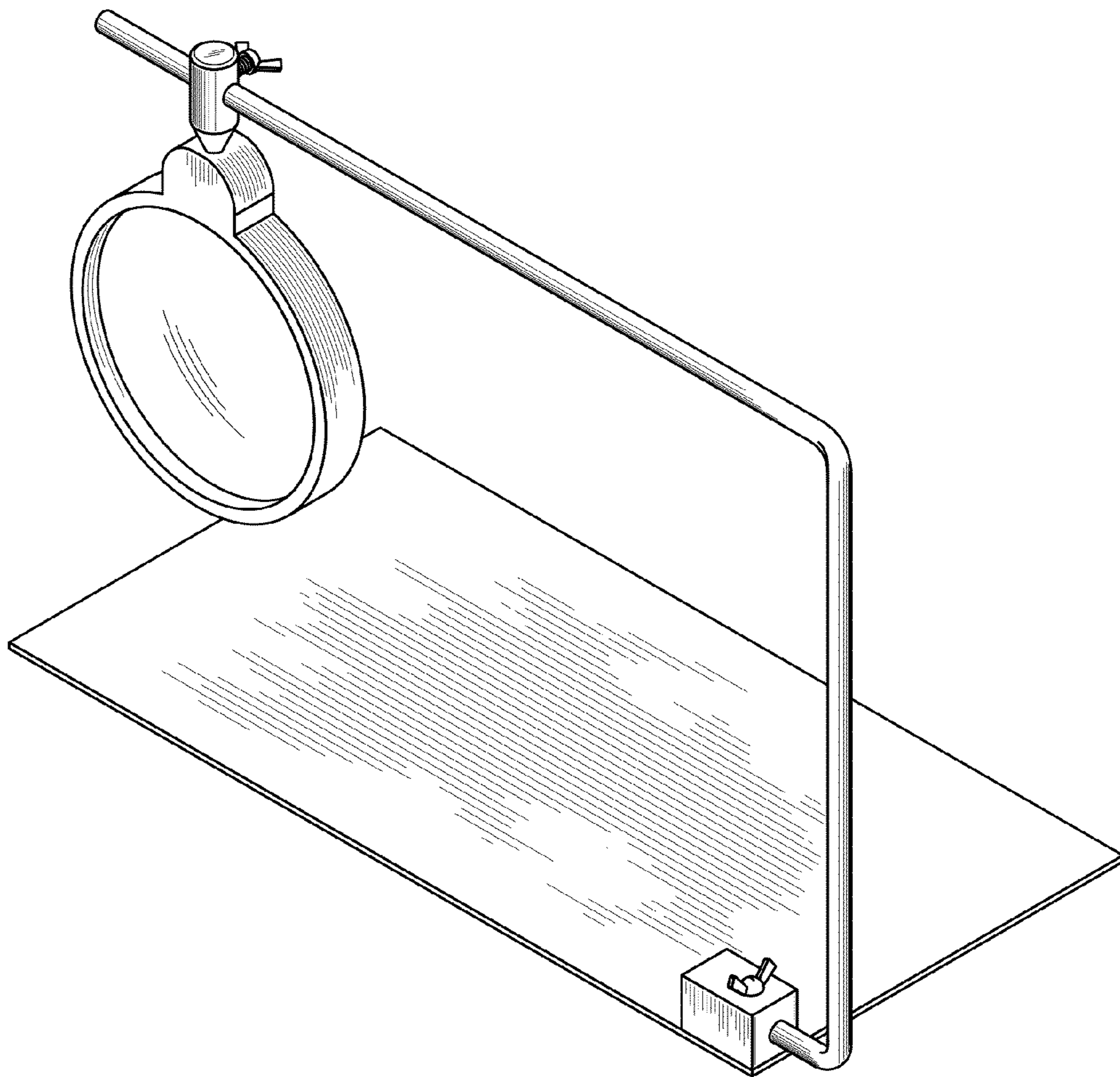


FIG. 1

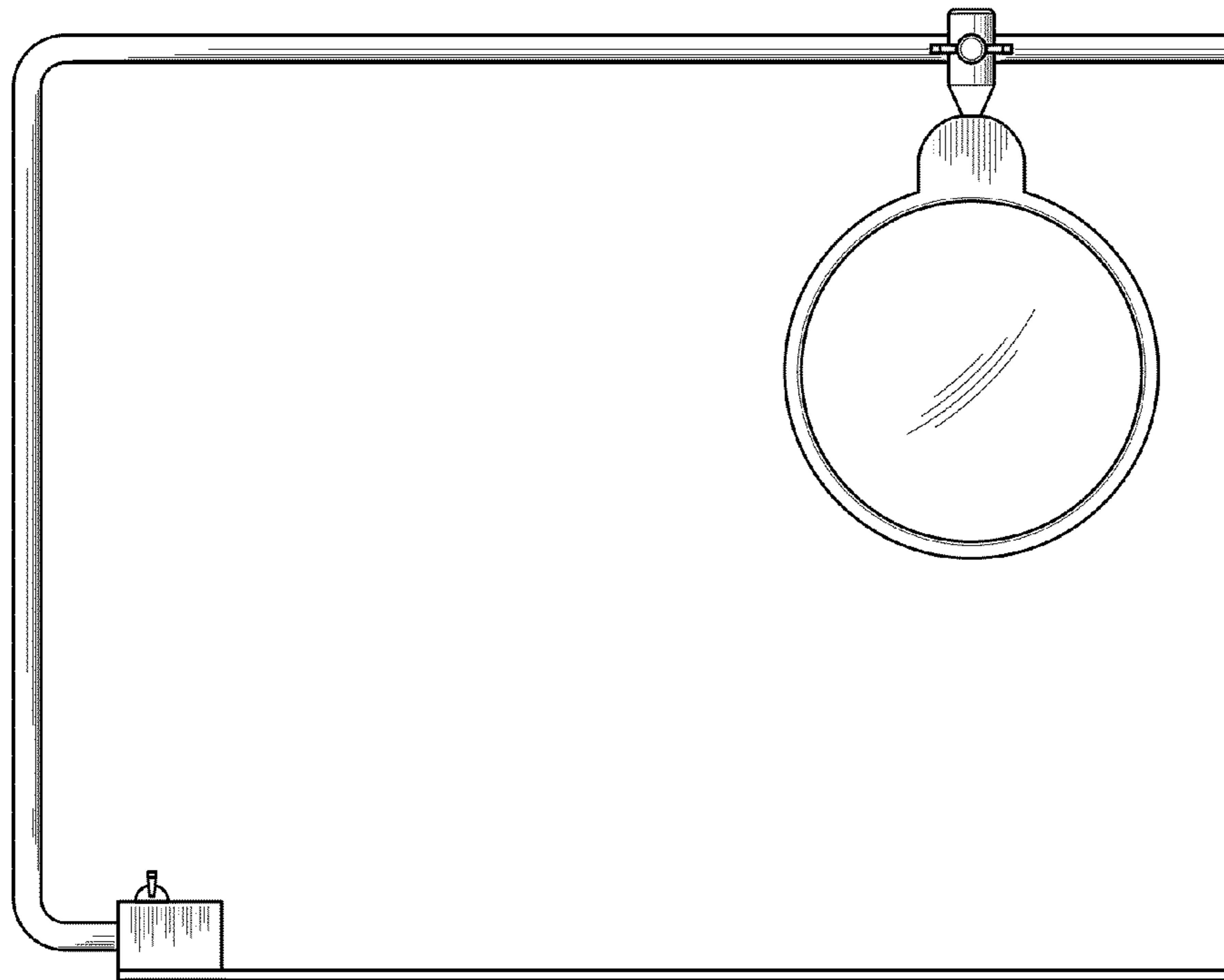


FIG. 2

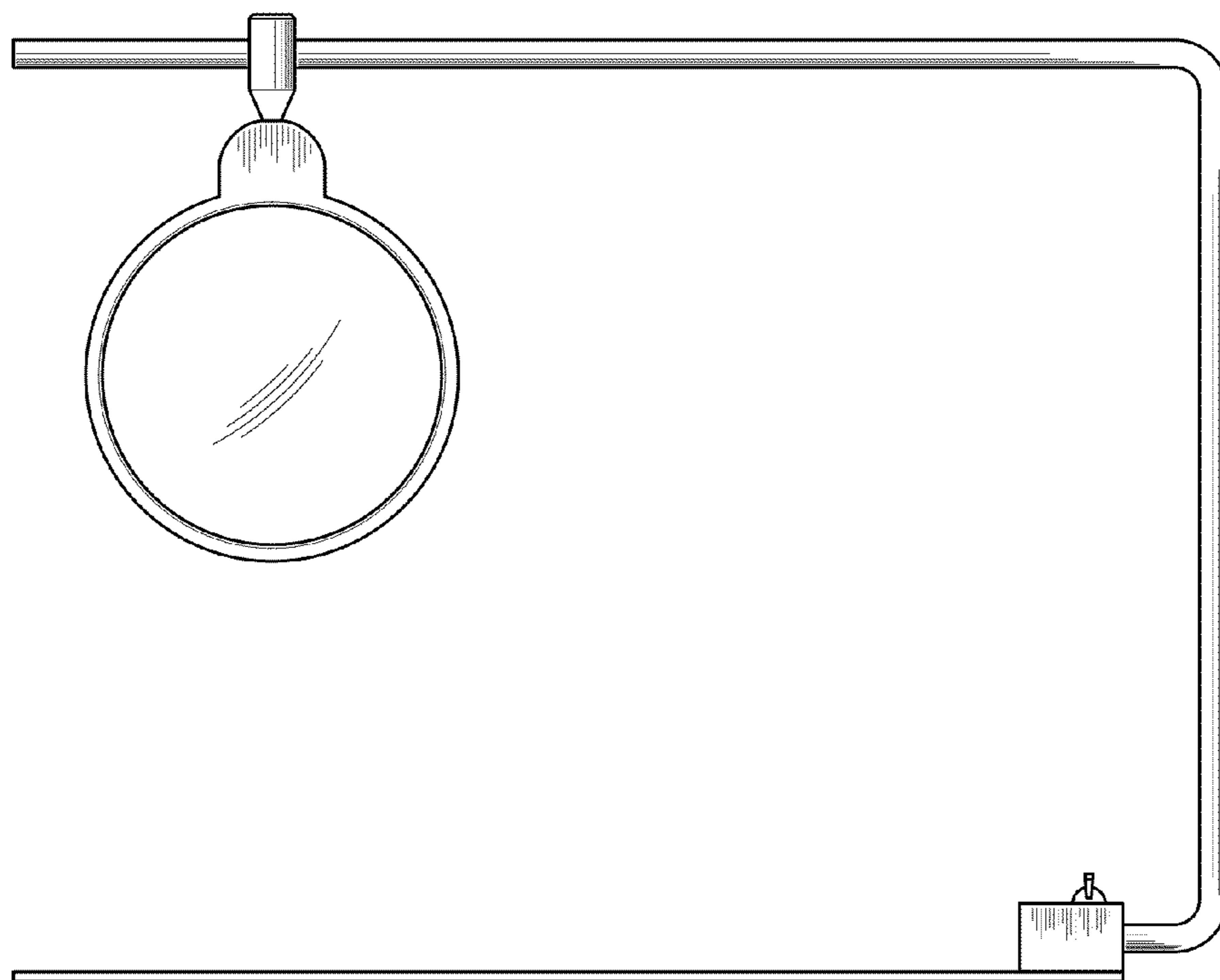


FIG. 3

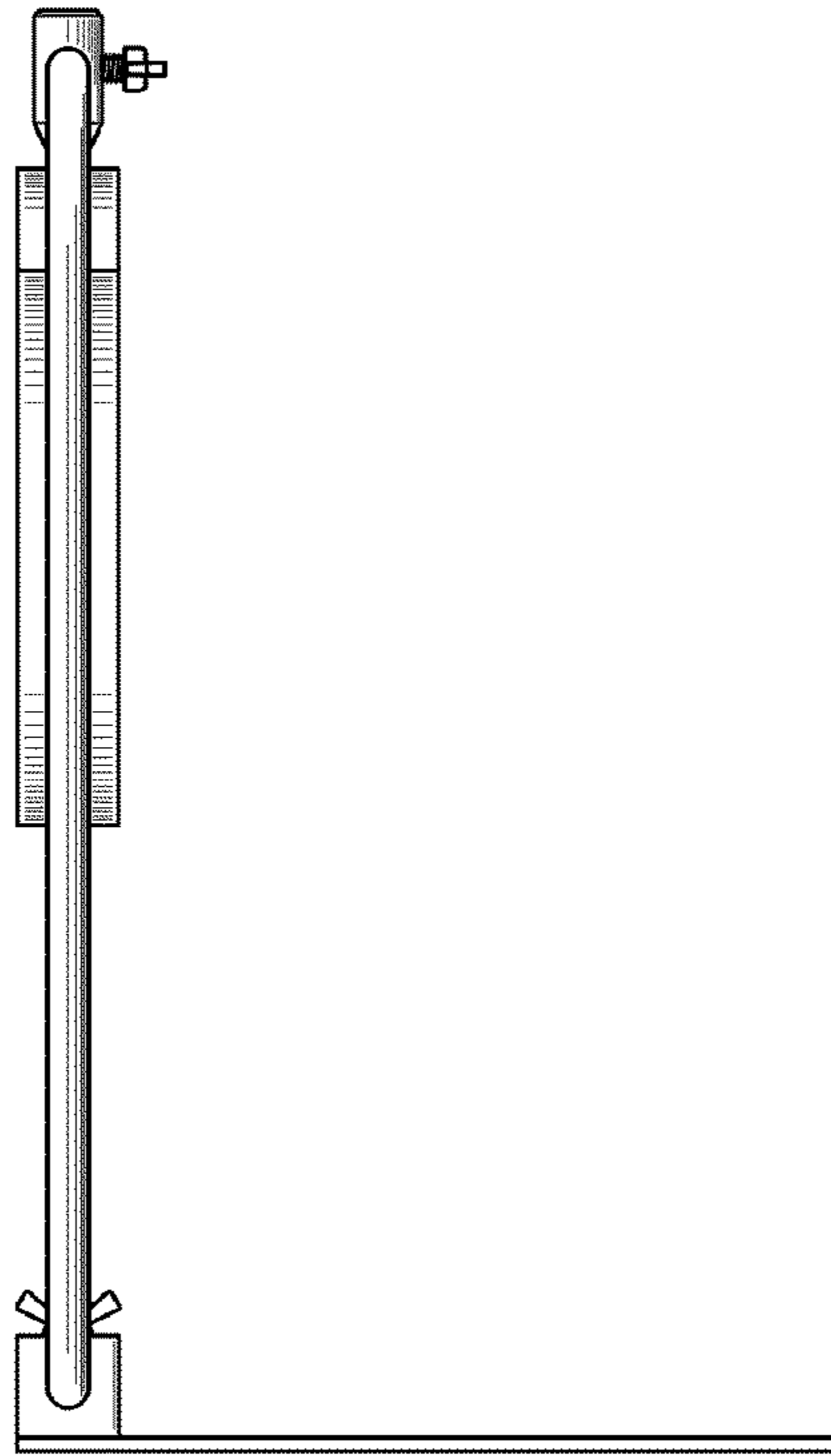


FIG. 4

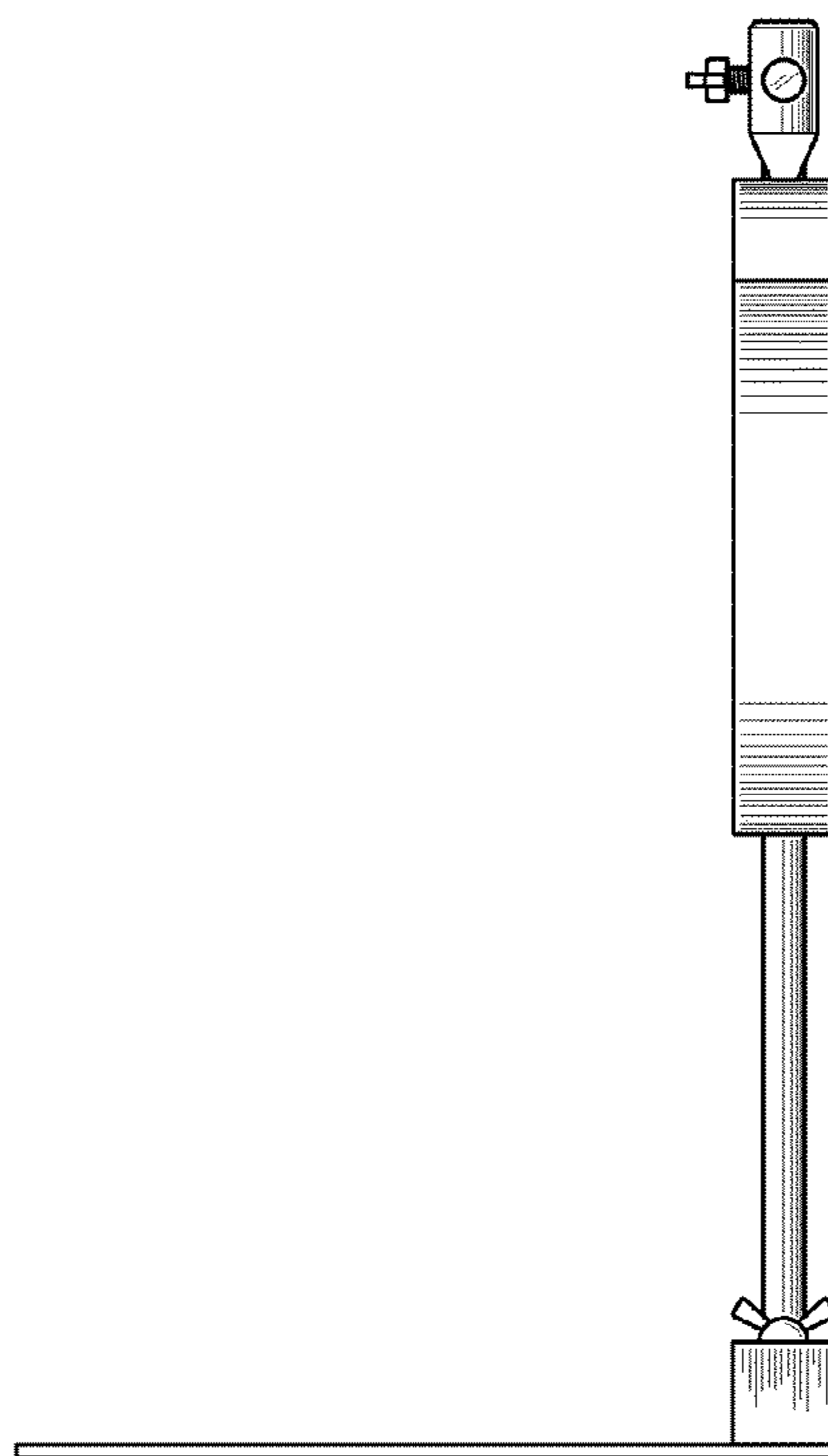


FIG. 5



FIG. 6

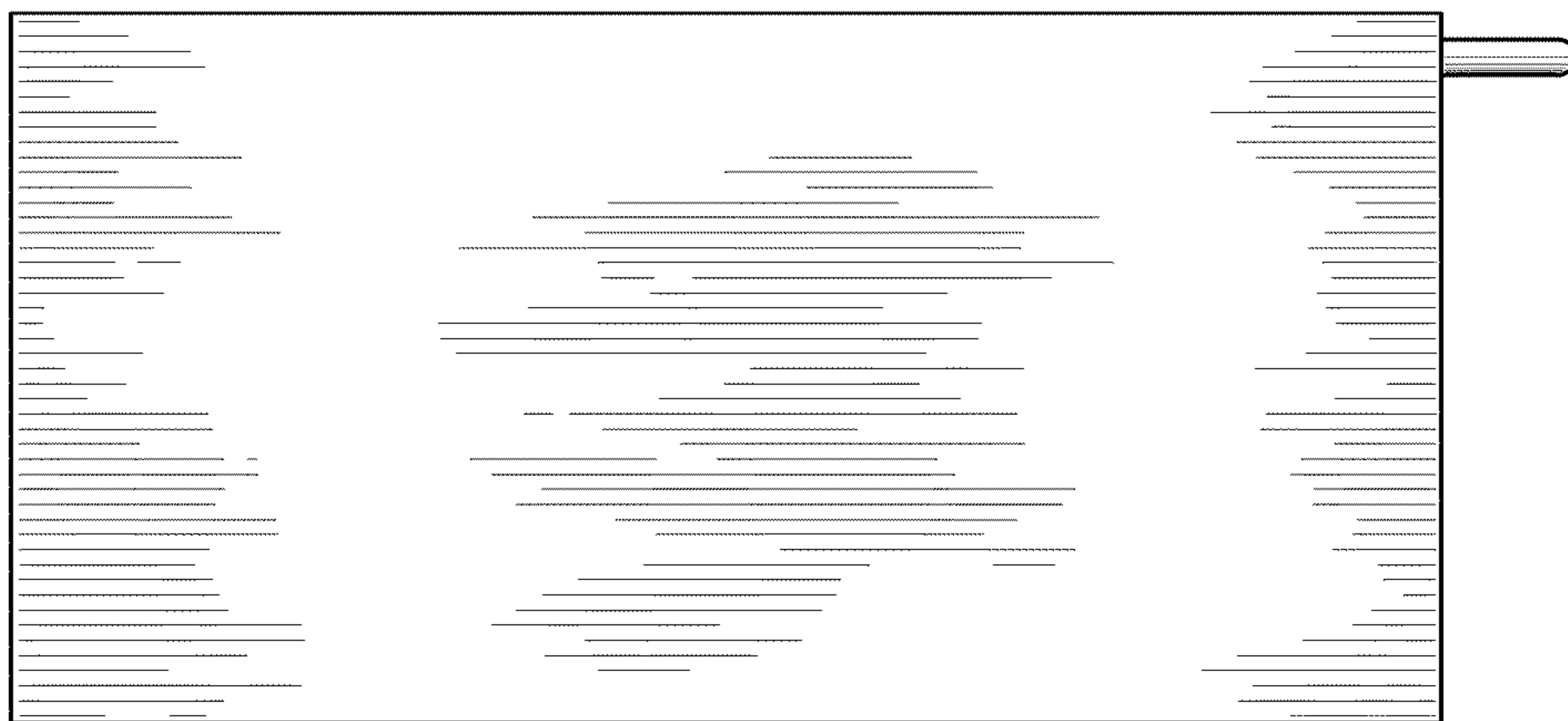


FIG. 7