



US00D697948S

(12) **United States Design Patent**  
**Asano**

(10) **Patent No.:** **US D697,948 S**  
(45) **Date of Patent:** **\*\* Jan. 21, 2014**

(54) **SEWING MACHINE**

- (71) Applicant: **Masahide Asano**, Nagoya (JP)
- (72) Inventor: **Masahide Asano**, Nagoya (JP)
- (73) Assignee: **Brother Industries, Ltd.**, Nagoya (JP)
- (\*\*) Term: **14 Years**

(21) Appl. No.: **29/440,648**

(22) Filed: **Dec. 24, 2012**

(51) **LOC (10) Cl.** ..... **15-06**

(52) **U.S. Cl.**  
USPC ..... **D15/69**

(58) **Field of Classification Search**  
USPC ..... D15/66-76; 112/2, 63, 78, 154,  
112/217.1-217.4, 475.01, 256-261, 248,  
112/277  
See application file for complete search history.

(56) **References Cited**

**U.S. PATENT DOCUMENTS**

2,516,874	A *	8/1950	Holland	.....	112/248
4,217,841	A *	8/1980	Daido et al.	.....	112/277
D292,930	S *	11/1987	Yoneda	.....	D15/70
D430,886	S *	9/2000	Yamamoto	.....	D15/69
D462,703	S *	9/2002	Farne	.....	D15/69
D481,738	S *	11/2003	Egami	.....	D15/69
D490,824	S *	6/2004	Egami	.....	D15/69
D520,528	S *	5/2006	Kuroki et al.	.....	D15/69
D620,504	S *	7/2010	Hattori	.....	D15/69
D678,920	S *	3/2013	Zhang	.....	D15/69

**OTHER PUBLICATIONS**

Design U.S. Appl. No. 29/430,282, filed Aug. 23, 2012, to Masahide Asano et al.

\* cited by examiner

*Primary Examiner* — Mitchell Siegel

(74) *Attorney, Agent, or Firm* — Oliff & Berridge, PLC

(57) **CLAIM**

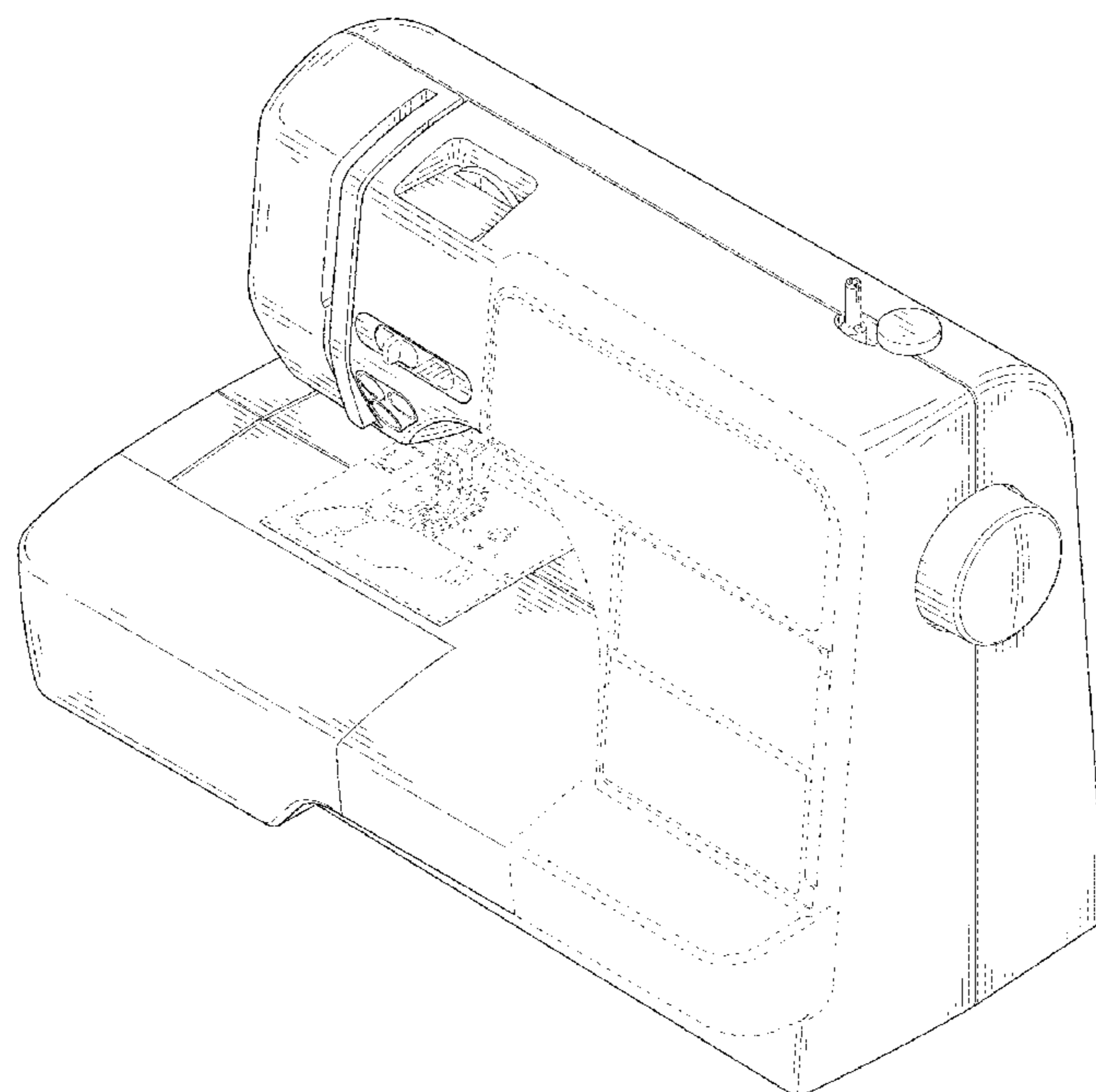
The ornamental design for a sewing machine, as shown and described.

**DESCRIPTION**

FIG. 1 is a front, right-side, top perspective view of a sewing machine;  
FIG. 2 is a front elevational view thereof;  
FIG. 3 is a top plan view thereof;  
FIG. 4 is a right-side elevational view thereof;  
FIG. 5 is a left-side elevational view thereof;  
FIG. 6 is a rear elevational view thereof; and,  
FIG. 7 is a bottom plan view thereof.

The broken lines immediately adjacent the shaded areas represent the bounds of the claimed design, while all other broken lines are directed to environment and are for illustrative purposes only; the broken lines form no part of the claimed design.

**1 Claim, 6 Drawing Sheets**



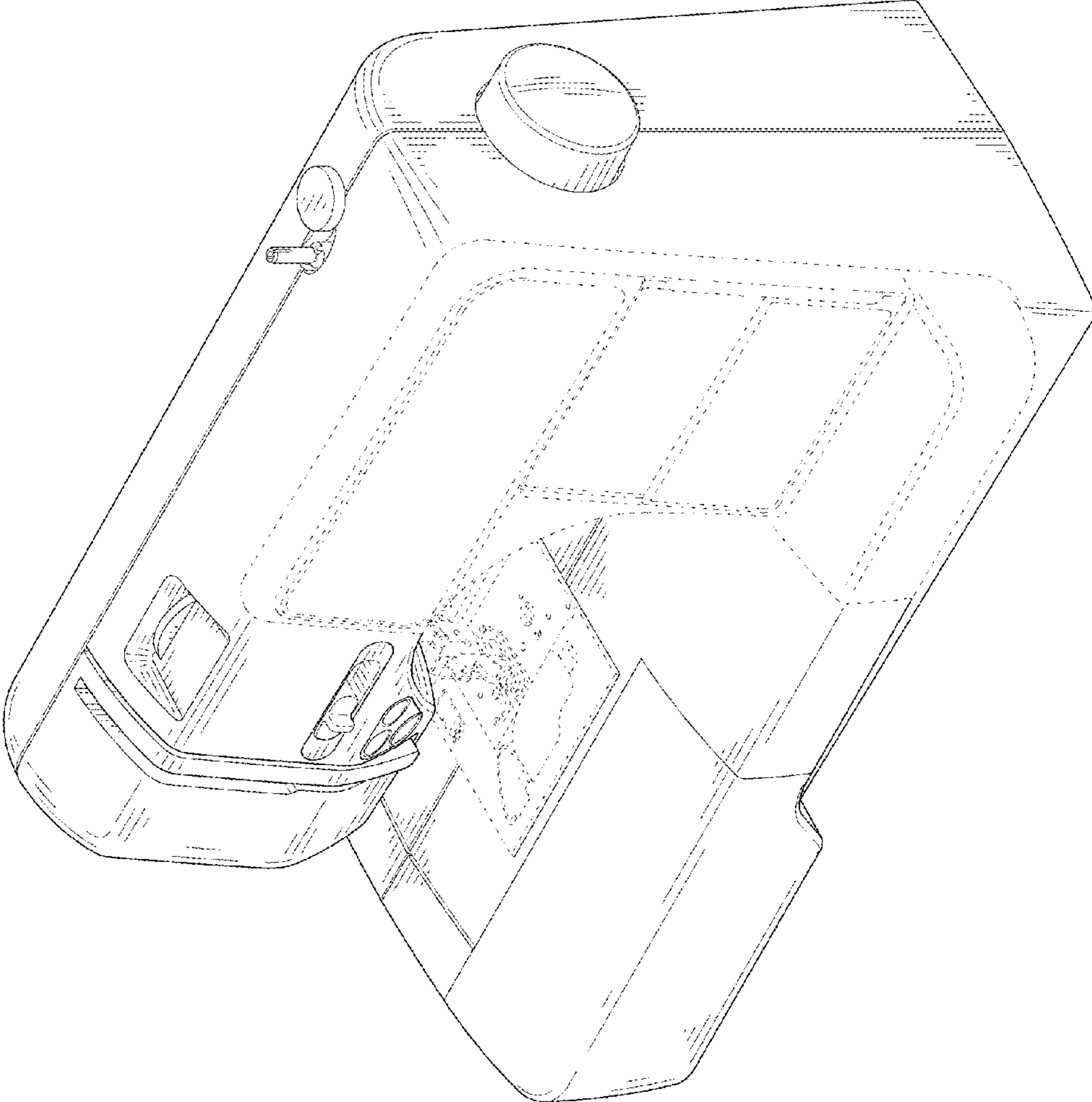


FIG. 1

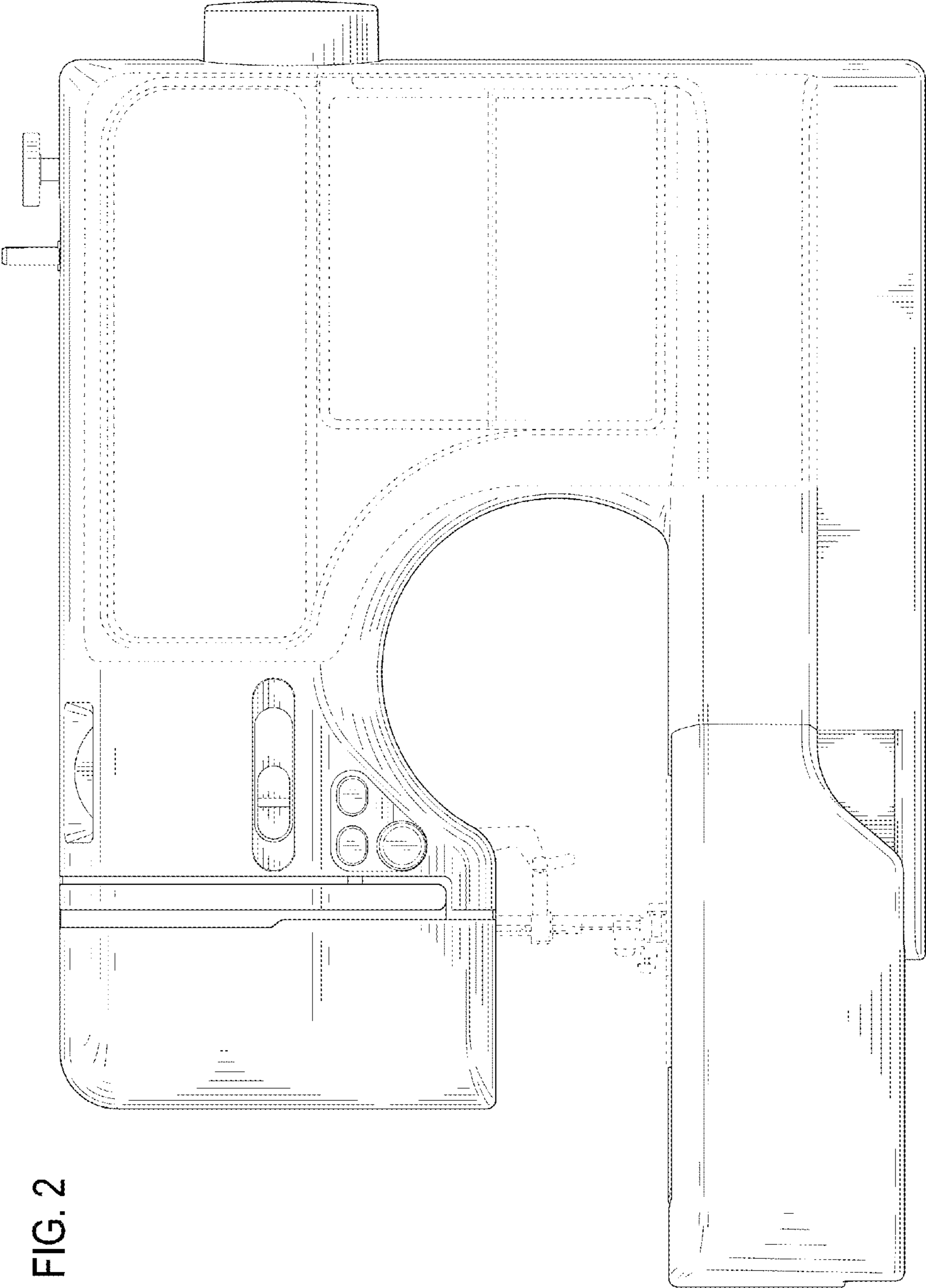


FIG. 2

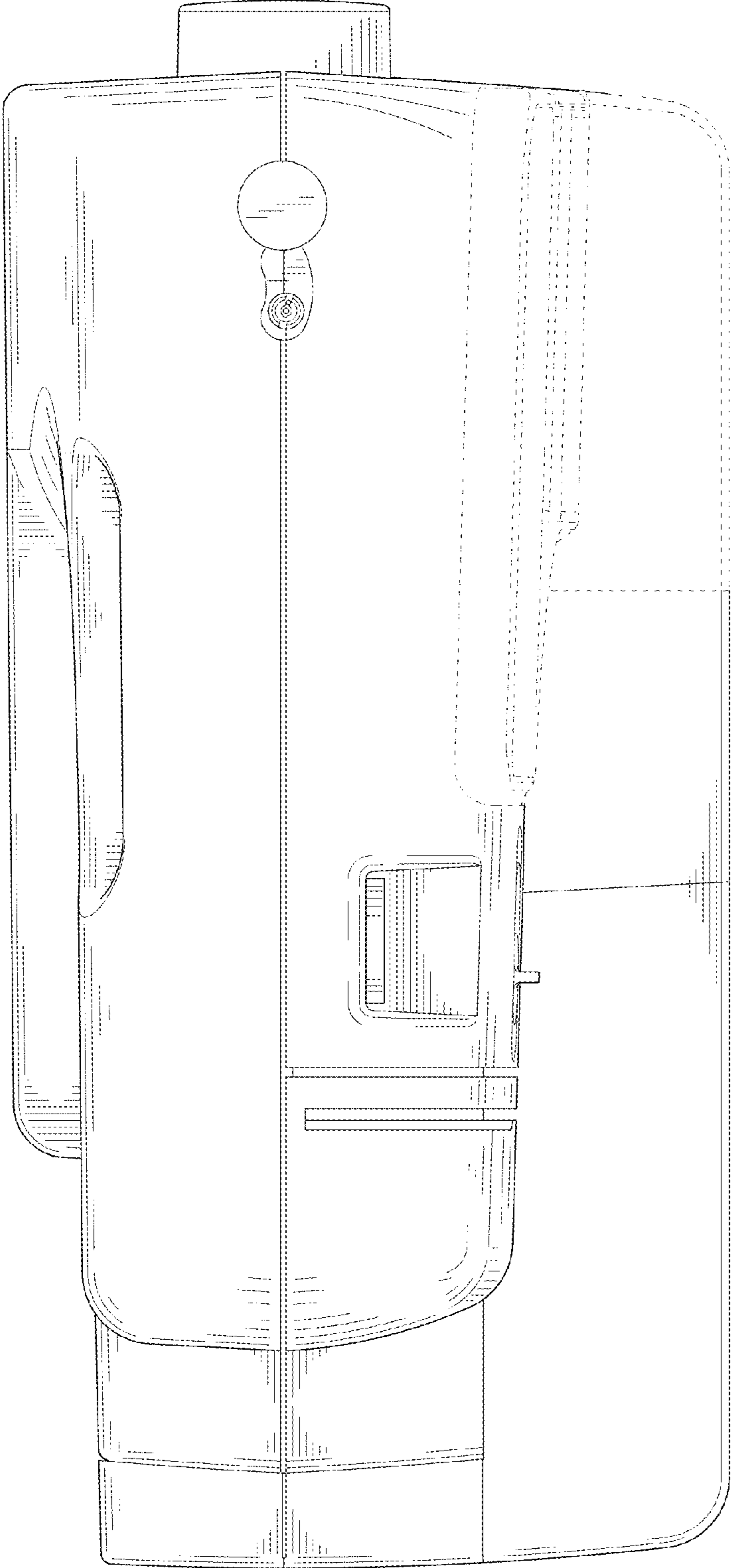


FIG. 3

FIG. 5

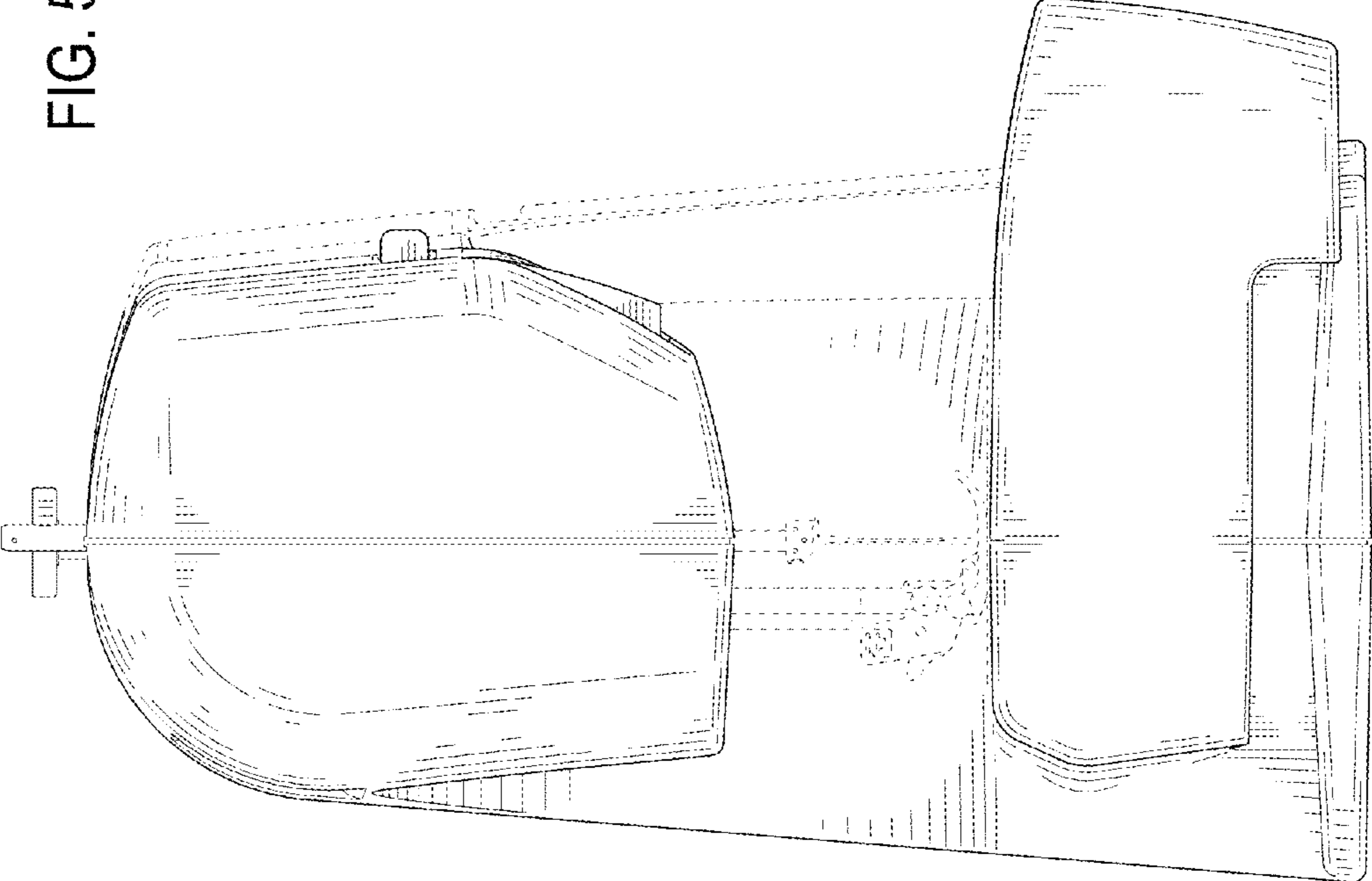


FIG. 4

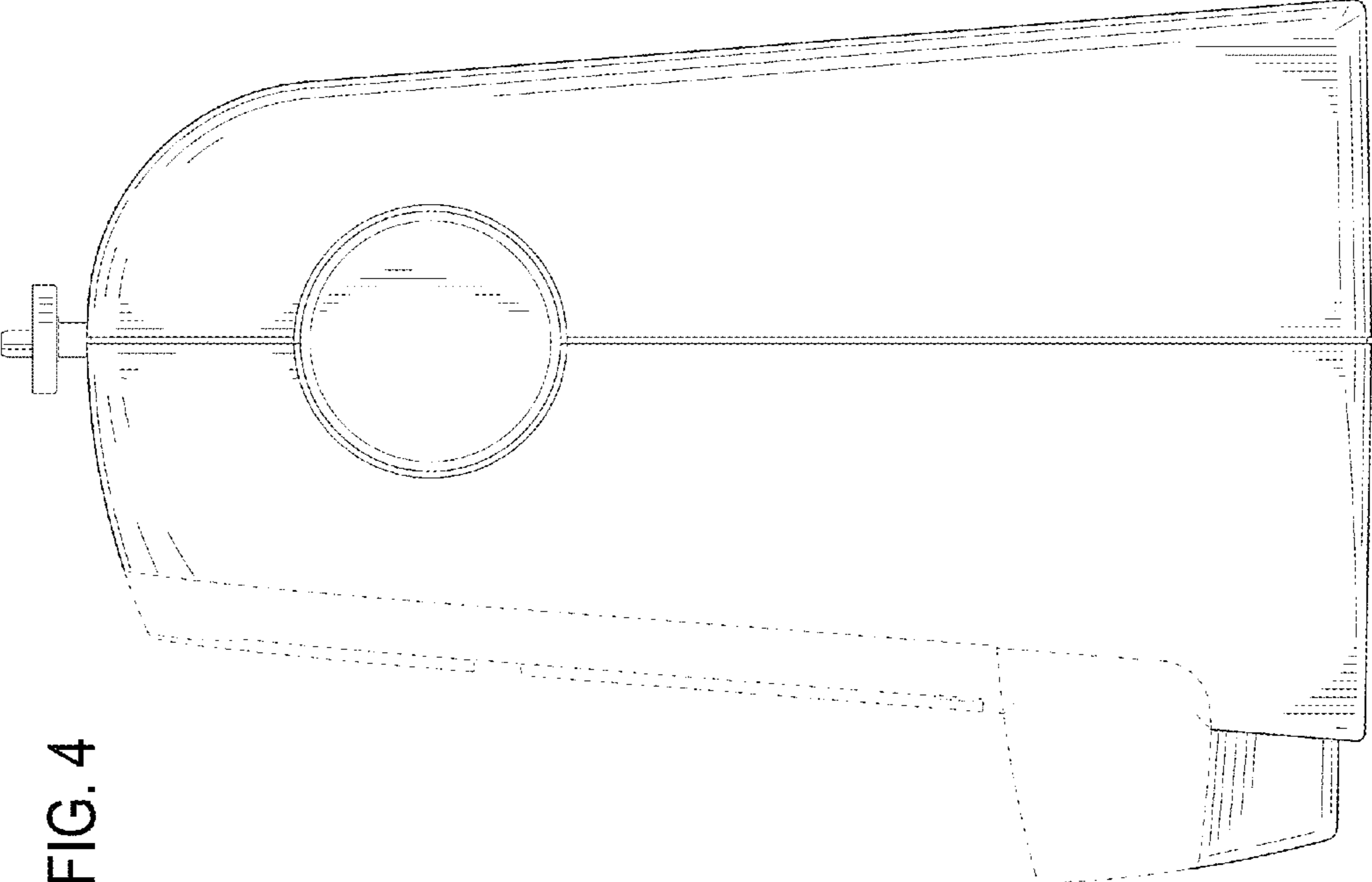


FIG. 6

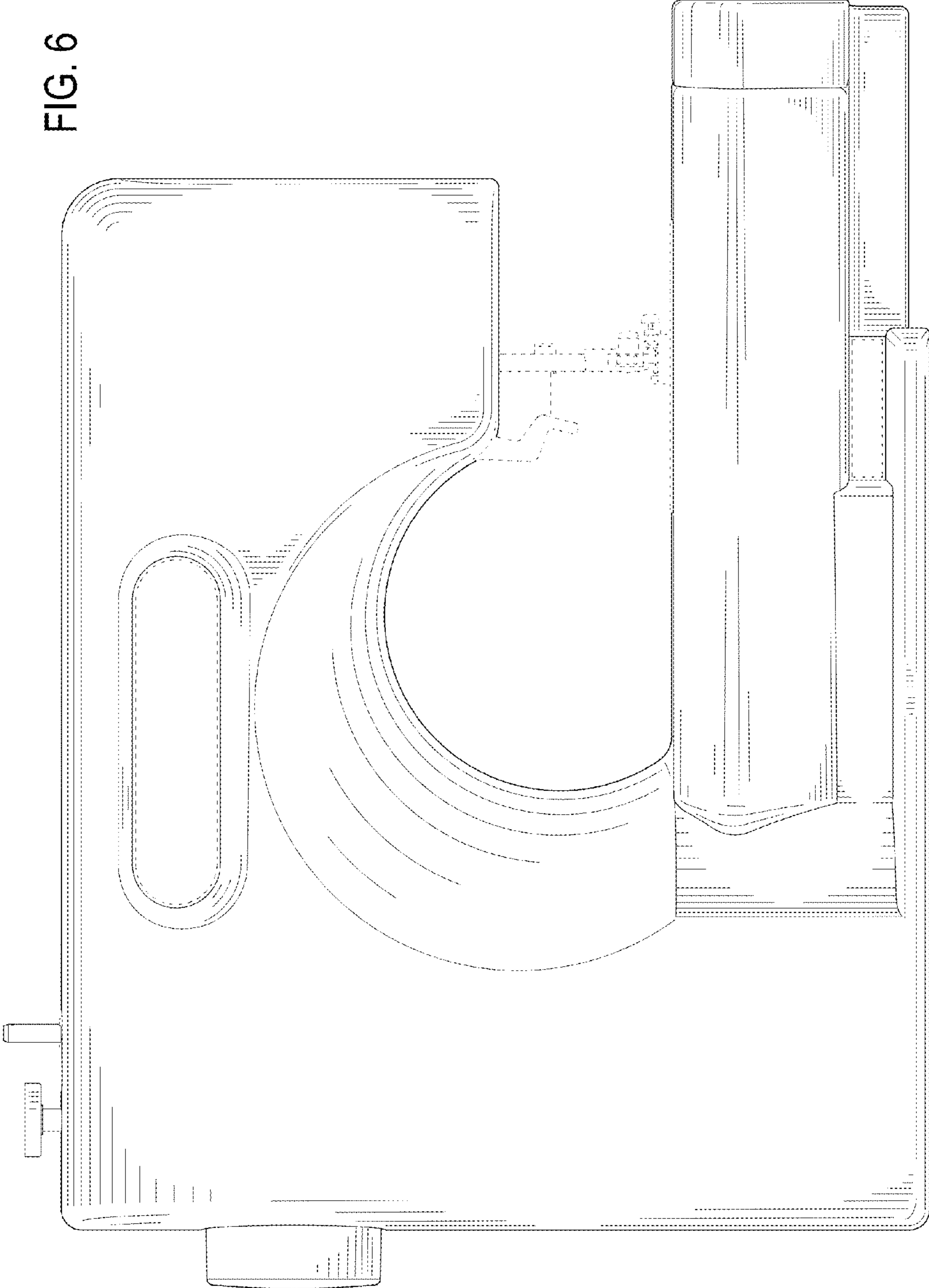


FIG. 7

