



US00D697947S

(12) **United States Design Patent**
Healey et al.

(10) **Patent No.:** **US D697,947 S**
(45) **Date of Patent:** **** Jan. 21, 2014**

- (54) **GRADER BLADE**
- (71) Applicant: **Challenge Implements Holdings Pty Limited**, New South Wales (AU)
- (72) Inventors: **Craig Healey**, New South Wales (AU);
John Healey, New South Wales (AU);
Jack Rahilly, New South Wales (AU);
Daniel Webb, New South Wales (AU)
- (73) Assignee: **Challenge Implements Holdings Pty Ltd**, Orange (AU)
- (**) Term: **14 Years**
- (21) Appl. No.: **29/457,537**
- (22) Filed: **Jun. 11, 2013**

Related U.S. Application Data

- (63) Continuation of application No. 29/445,522, filed on Feb. 13, 2013, now abandoned.
- (51) **LOC (10) Cl.** **15-03**
- (52) **U.S. Cl.**
USPC **D15/32**
- (58) **Field of Classification Search**
USPC D15/10-12, 22-26, 28, 32; 37/234,
37/407, 435, 441, 442; 172/789, 776, 788,
172/791, 796, 797
See application file for complete search history.

(56) **References Cited**

U.S. PATENT DOCUMENTS

- 2,774,155 A * 12/1956 Hipp 172/145
- 3,234,669 A * 2/1966 Kachnik et al. 172/445.2
- D216,874 S * 3/1970 Cline D15/32

- D219,809 S * 2/1971 Coontz D15/32
- 3,598,186 A * 8/1971 Coontz 172/445.2
- D248,302 S * 6/1978 Zoller D15/32
- 4,463,507 A * 8/1984 Gaub 37/404
- D331,380 S * 12/1992 Craddock D12/400
- 5,411,102 A * 5/1995 Nickels et al. 172/781
- 5,427,185 A * 6/1995 Seal 172/684.5
- 5,529,131 A * 6/1996 Van Ornum 172/789
- D395,436 S * 6/1998 Hagenbuch D15/32
- 5,775,438 A * 7/1998 Confoey et al. 172/831
- D623,668 S * 9/2010 Bissell D15/27
- D672,370 S * 12/2012 Becker D15/28

OTHER PUBLICATIONS

Australian Design Application No. 11905/2012, Grader Attachment Assembly and Components, Challenge Implements Holdings Pty Limited, Apr. 17, 2012.

* cited by examiner

Primary Examiner — Mark Goodwin

(74) *Attorney, Agent, or Firm* — Gordon & Jacobson, PC

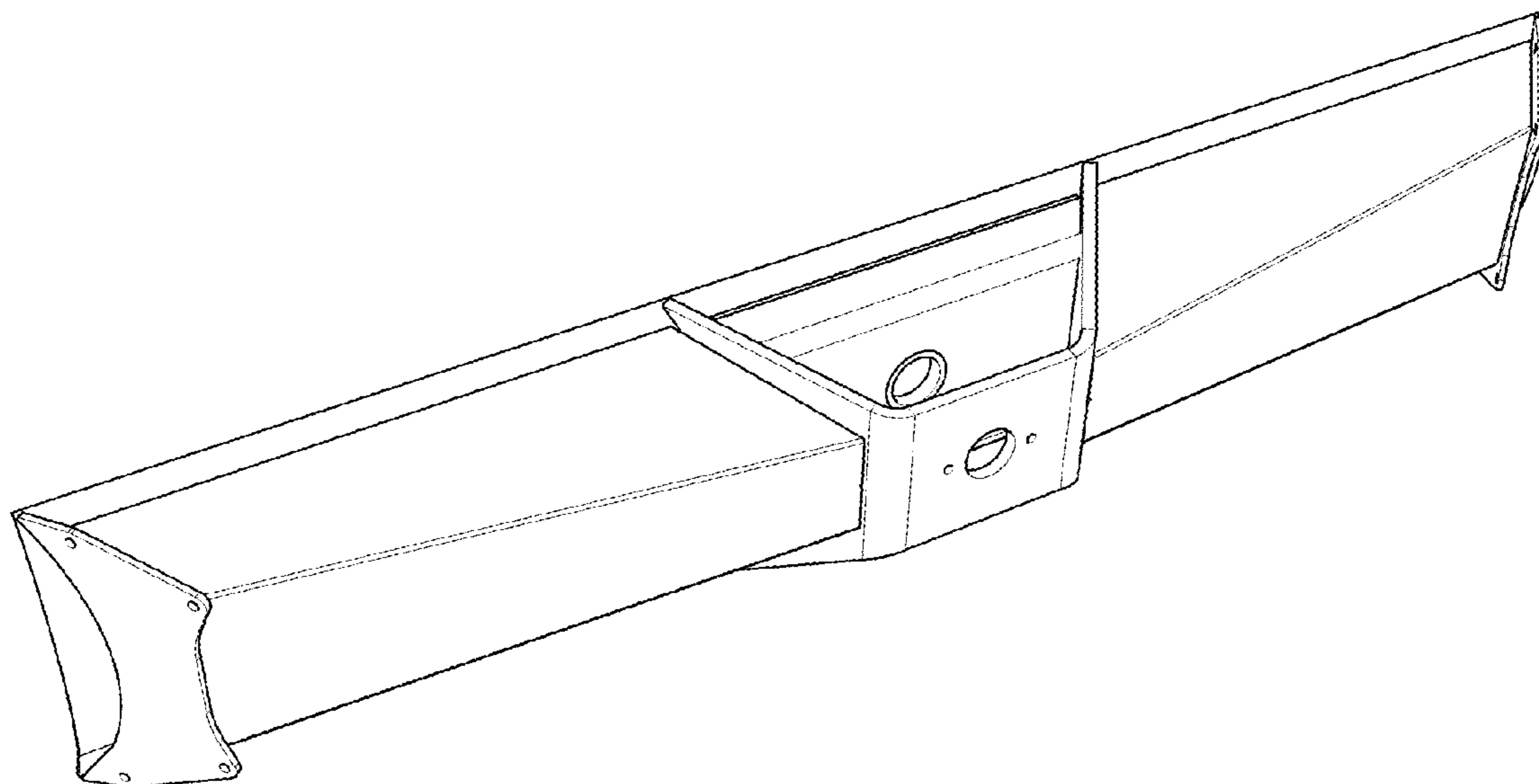
(57) **CLAIM**

The ornamental design for a grader blade, as shown and described.

DESCRIPTION

FIG. 1 is a perspective view of a grader blade showing our new design.
FIG. 2 is a bottom view of the grader blade.
FIG. 3 is a plan view of the grader blade.
FIG. 4 is a left side view of the grader blade.
FIG. 5 is a right side view of the grader blade.
FIG. 6 is a rear view of the grader blade; and,
FIG. 7 is a front view of the grader blade.

1 Claim, 7 Drawing Sheets



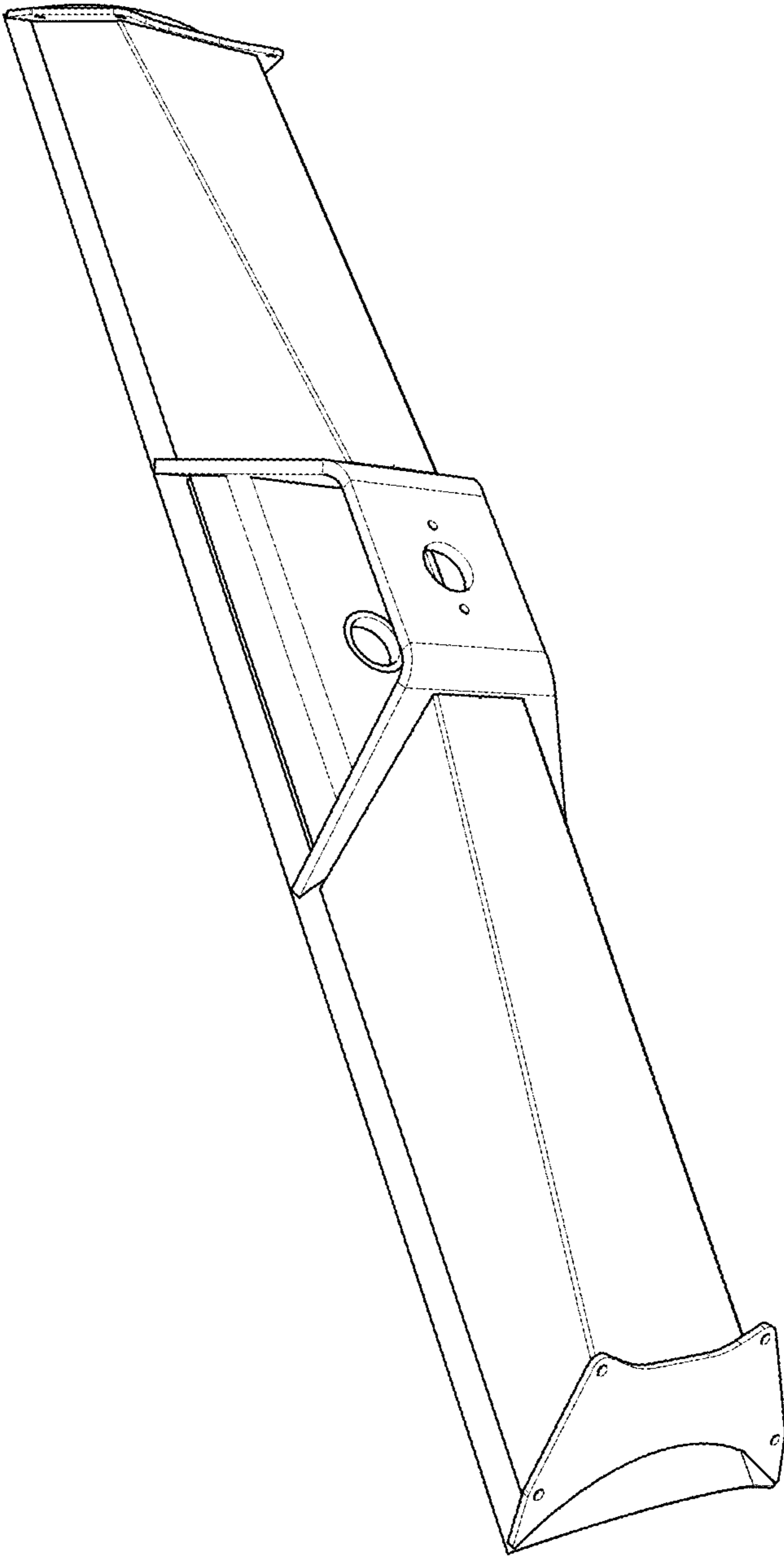


FIG. 1

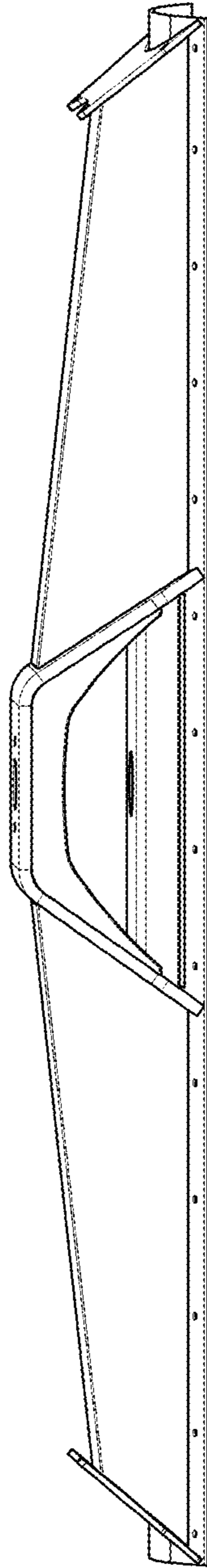


FIG. 2

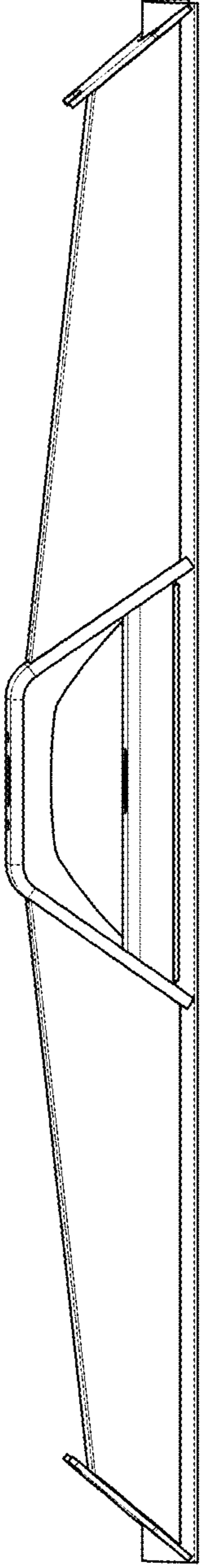


FIG. 3

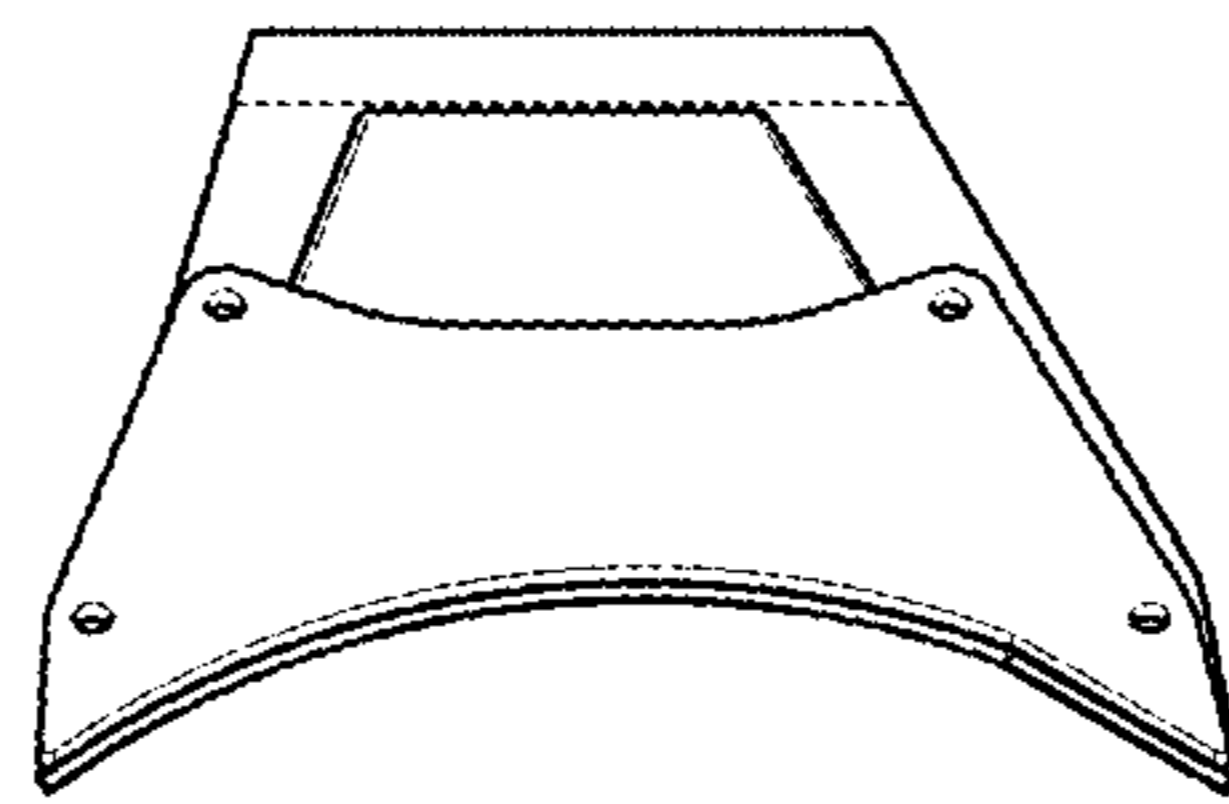


FIG. 4

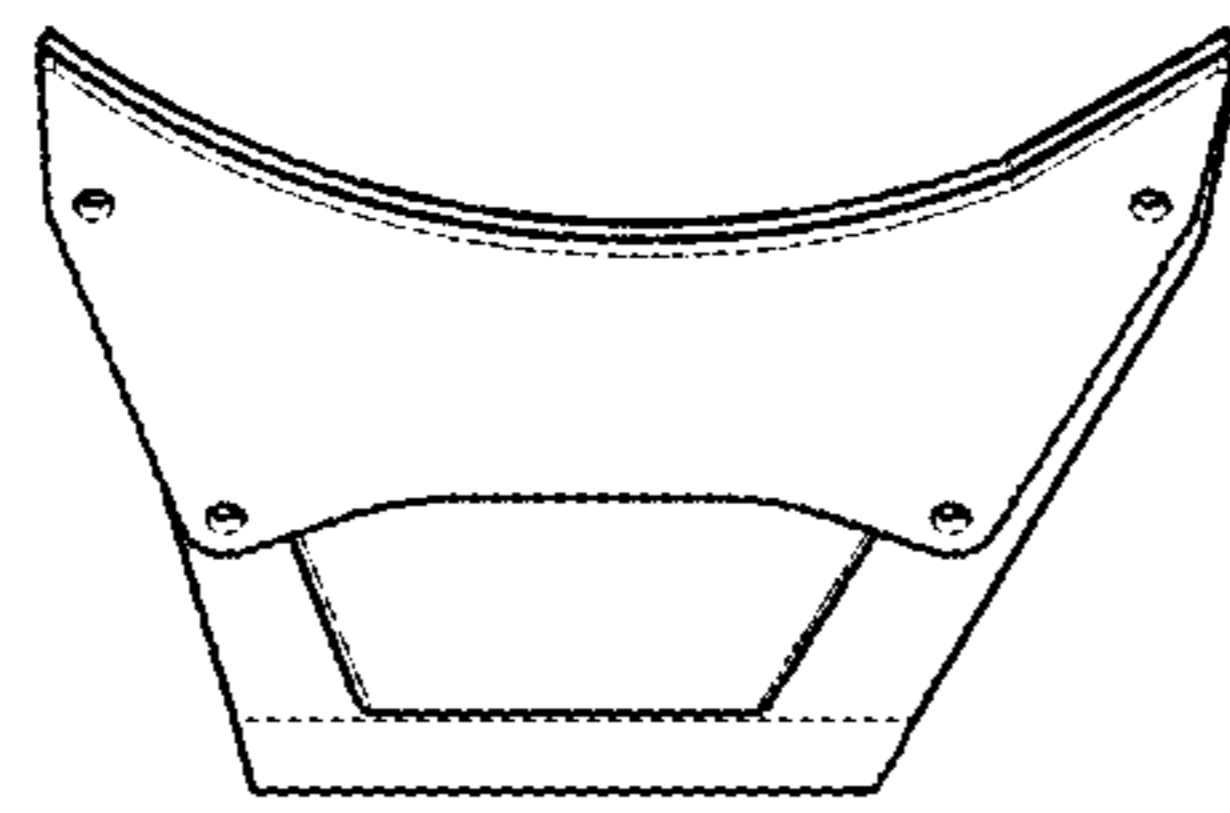


FIG. 5

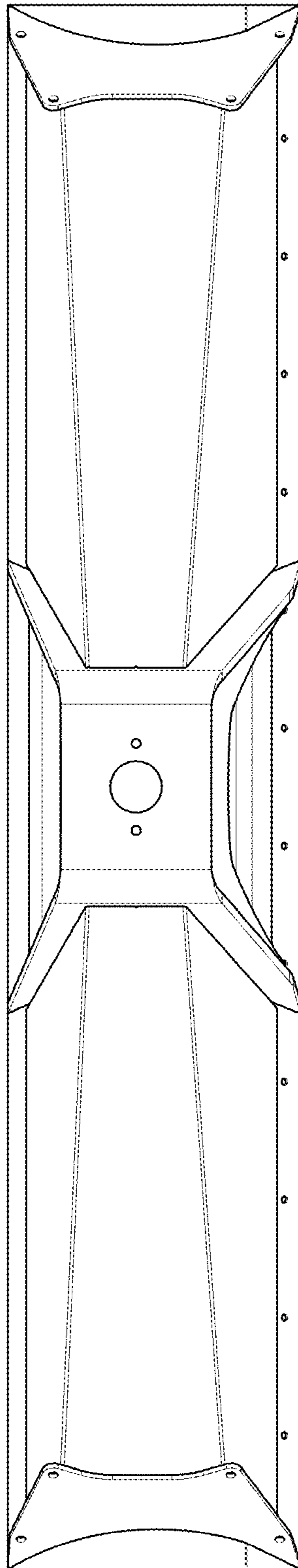


FIG. 6

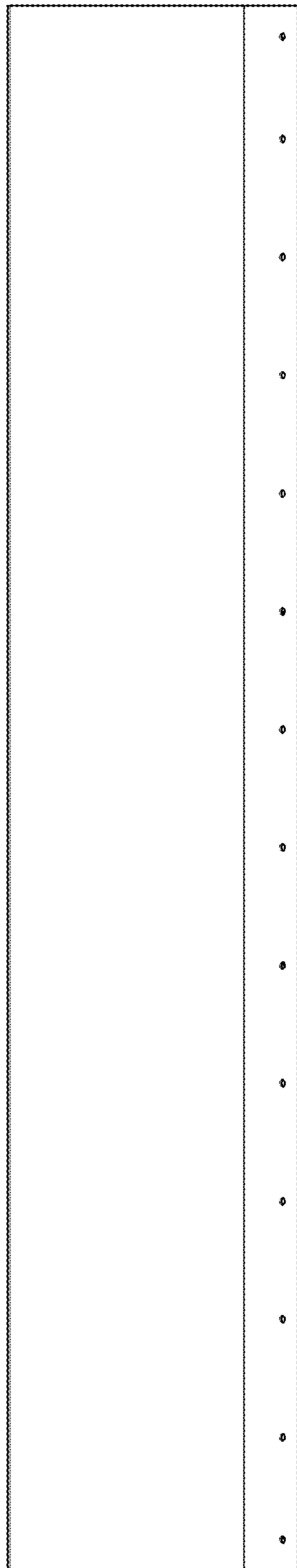


FIG. 7