

US00D697946S

(12) **United States Design Patent**  
**Healey et al.**

(10) **Patent No.:** **US D697,946 S**  
(45) **Date of Patent:** **\*\* Jan. 21, 2014**

(54) **GRADER ASSEMBLY**

(71) Applicant: **Challenge Implements Holdings Pty Limited**, New South Wales (AU)

(72) Inventors: **Craig Healey**, New South Wales (AU);  
**John Healey**, New South Wales (AU);  
**Jack Rahilly**, New South Wales (AU);  
**Daniel Webb**, New South Wales (AU)

(73) Assignee: **Challenge Implements Holdings Pty Ltd**, Orange (AU)

(\*\*) Term: **14 Years**

(21) Appl. No.: **29/457,523**

(22) Filed: **Jun. 11, 2013**

**Related U.S. Application Data**

(63) Continuation of application No. 29/445,522, filed on Feb. 13, 2013, now abandoned.

(51) **LOC (10) Cl.** ..... **15-03**

(52) **U.S. Cl.**  
USPC ..... **D15/32**

(58) **Field of Classification Search**  
USPC ..... D15/10-12, 22-26, 28, 32; 37/234,  
37/407, 435, 441, 442; 172/789, 776, 788,  
172/791, 796, 797

See application file for complete search history.

(56) **References Cited**

**U.S. PATENT DOCUMENTS**

2,774,155 A \* 12/1956 Hipp ..... 172/145  
3,234,669 A \* 2/1966 Kachnik et al. .... 172/445.2  
D216,874 S \* 3/1970 Cline ..... D15/32

D219,809 S \* 2/1971 Coontz ..... D15/32  
3,598,186 A \* 8/1971 Coontz ..... 172/445.2  
D248,302 S \* 6/1978 Zoller ..... D15/32  
4,463,507 A \* 8/1984 Gaub ..... 37/404  
D331,380 S \* 12/1992 Craddock ..... D12/400  
5,411,102 A \* 5/1995 Nickels et al. .... 172/781  
5,427,185 A \* 6/1995 Seal ..... 172/684.5  
5,529,131 A \* 6/1996 Van Ornum ..... 172/789  
D395,436 S \* 6/1998 Hagenbuch ..... D15/32  
5,775,438 A \* 7/1998 Confoey et al. .... 172/831  
D623,668 S \* 9/2010 Bissell ..... D15/27  
D672,370 S \* 12/2012 Becker ..... D15/28

**OTHER PUBLICATIONS**

Australian Design Application No. 11905/2012, Grader Attachment Assembly and Components, Challenge Implements Holdings Pty Limited, Apr. 17, 2012.

\* cited by examiner

*Primary Examiner* — Mark Goodwin

(74) *Attorney, Agent, or Firm* — Gordon & Jacobson, PC

(57) **CLAIM**

The ornamental design for a grader assembly, as shown and described.

**DESCRIPTION**

FIG. 1 is a perspective view of a grader assembly showing our new design.

FIG. 2 is a bottom view of the grader assembly.

FIG. 3 is a plan view of the grader assembly.

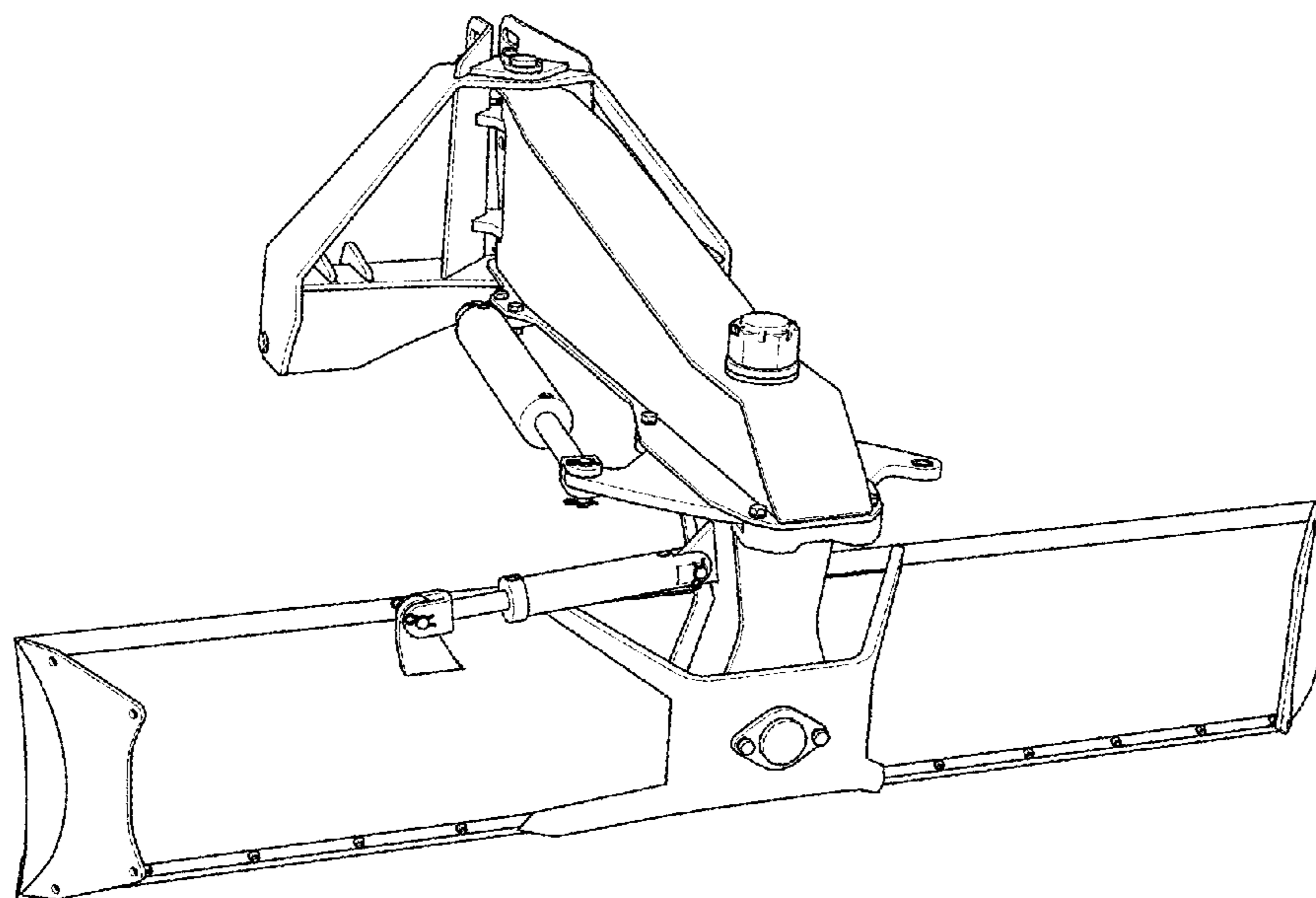
FIG. 4 is a left side view of the grader assembly.

FIG. 5 is a right side view of the grader assembly.

FIG. 6 is a rear view of the grader assembly; and,

FIG. 7 is a front view of the grader assembly.

**1 Claim, 7 Drawing Sheets**



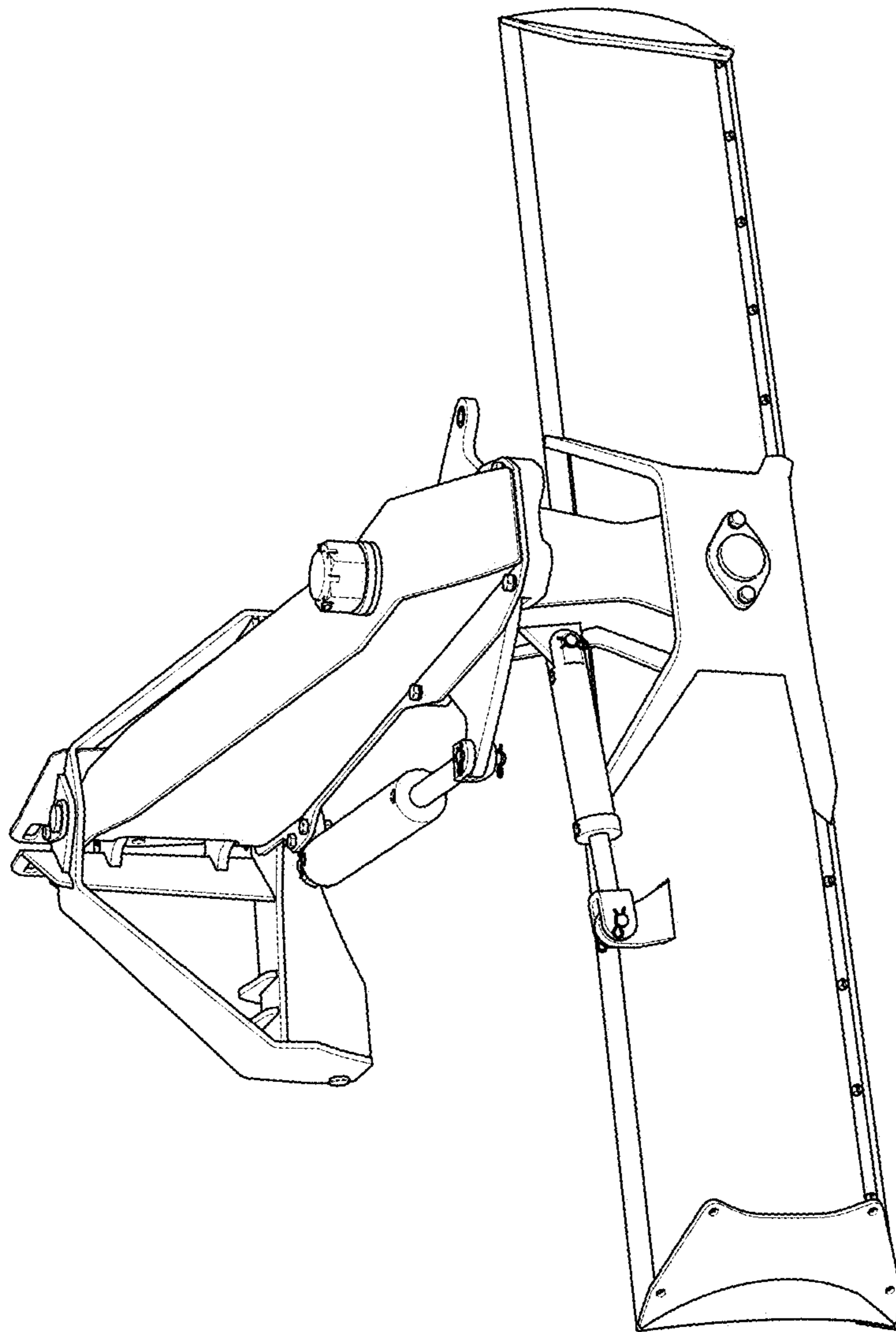


FIG. 1

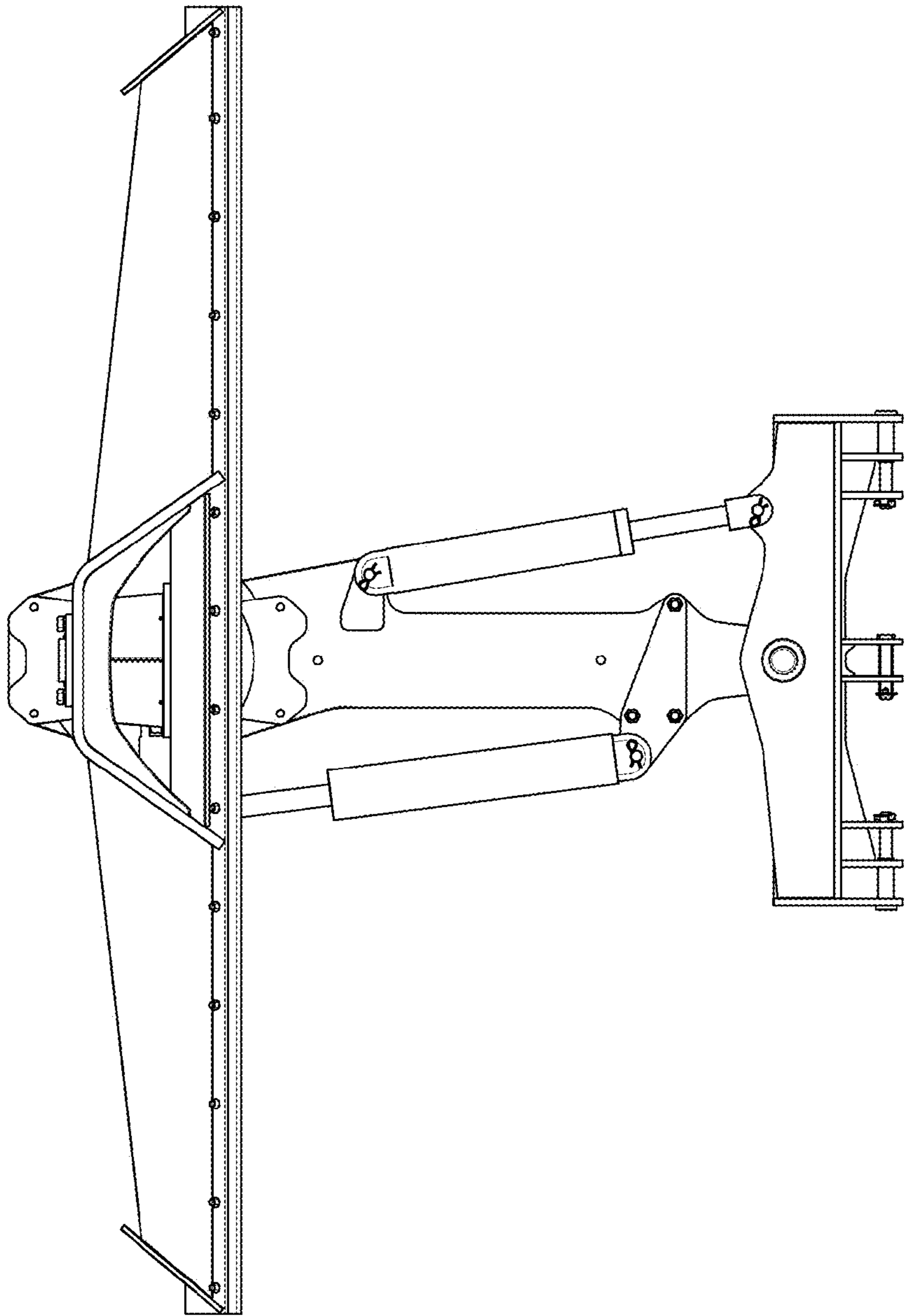


FIG. 2

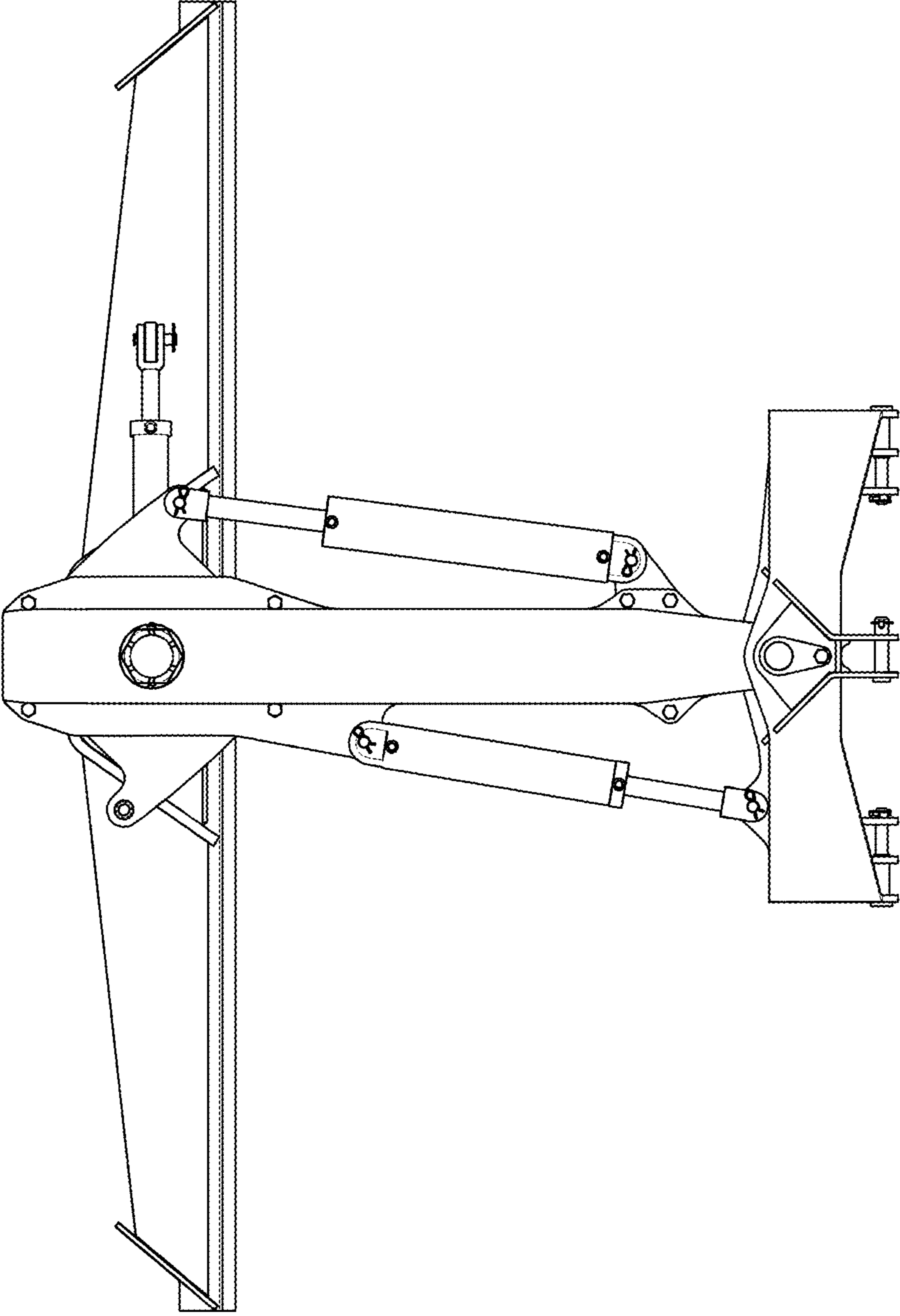


FIG. 3

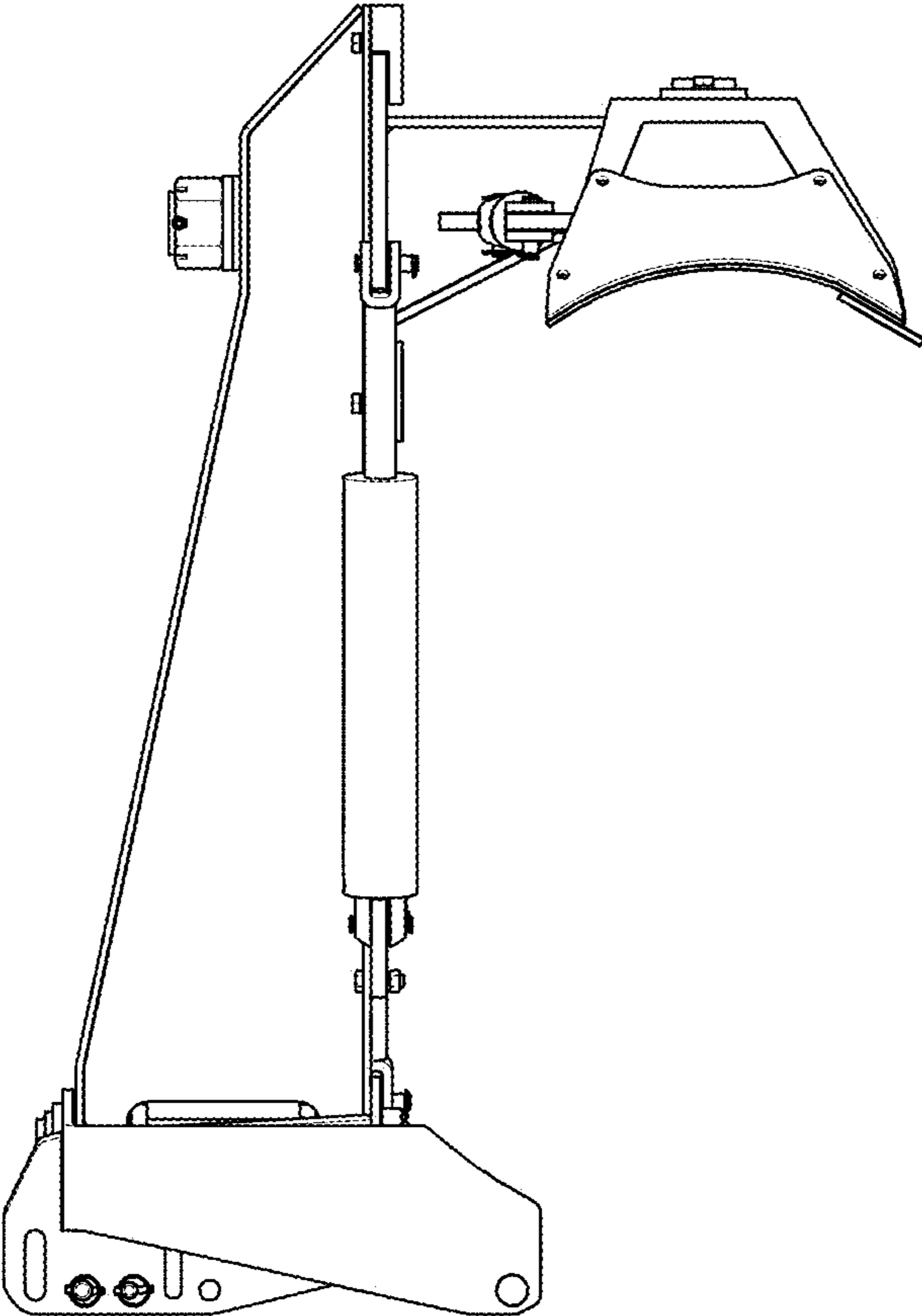


FIG. 4

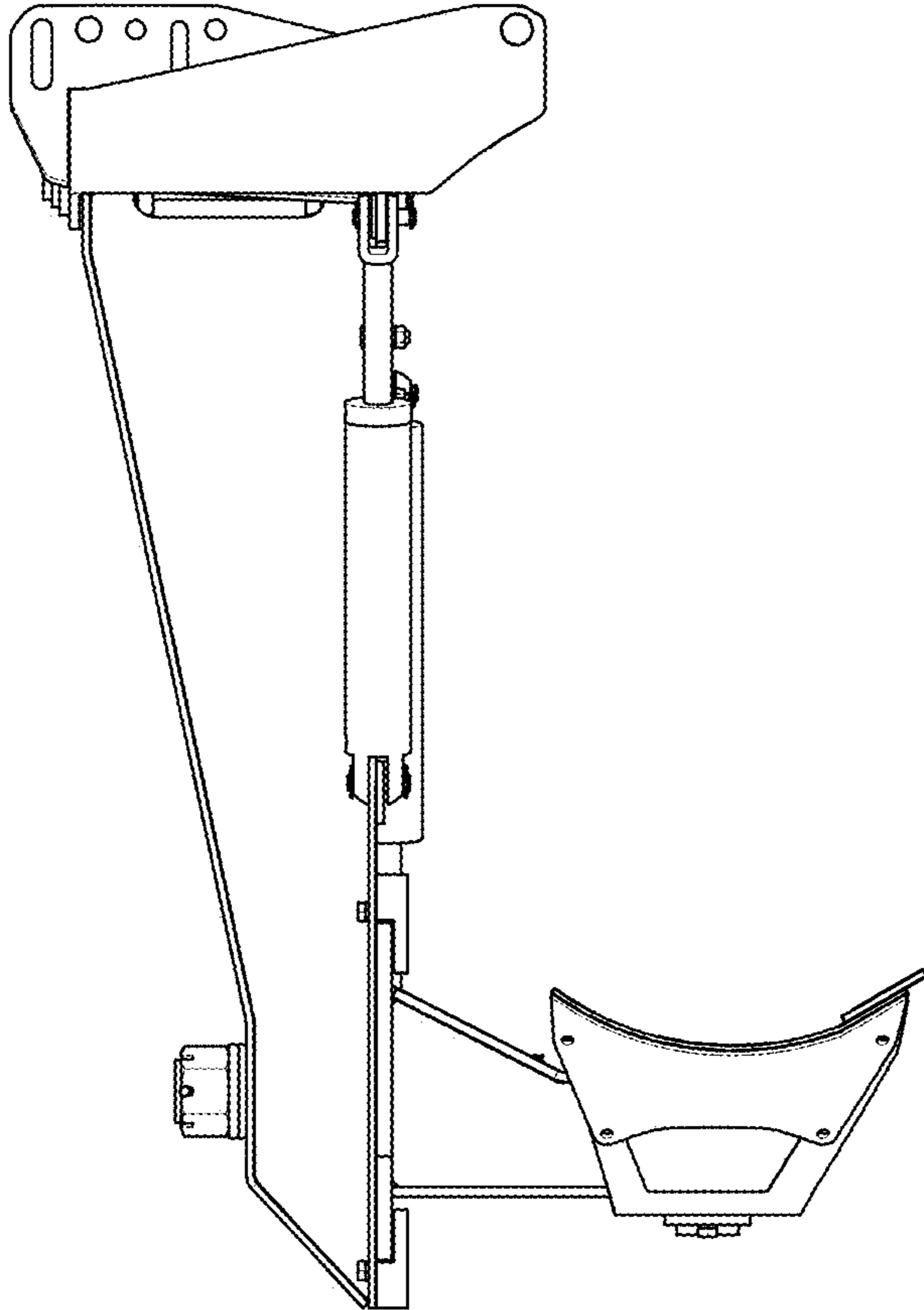


FIG. 5

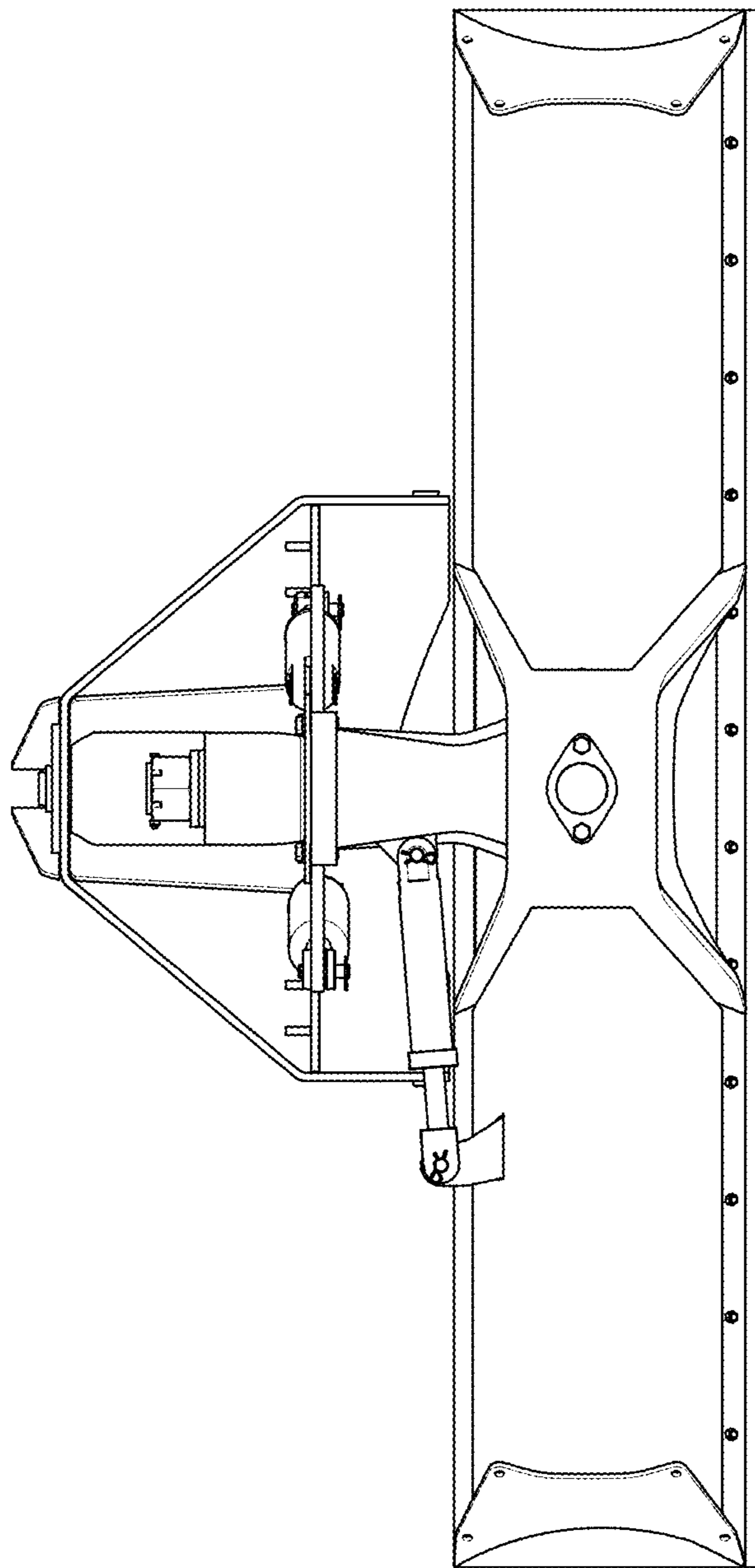


FIG. 6

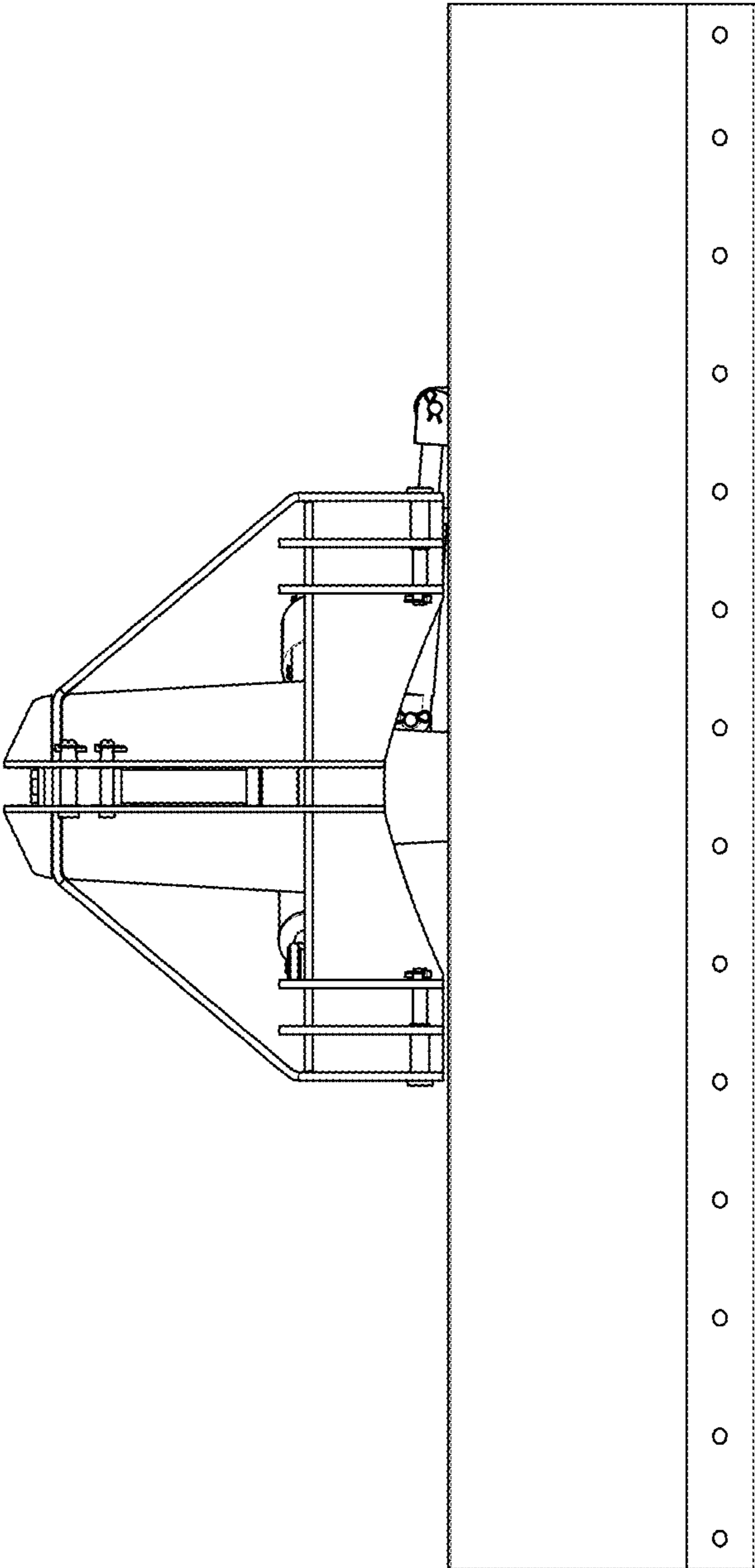


FIG. 7