

US00D697945S

(12) **United States Design Patent**
Healey et al.

(10) **Patent No.:** **US D697,945 S**
(45) **Date of Patent:** **** Jan. 21, 2014**

(54) **SWING ARM OF A GRADER ASSEMBLY**

(56) **References Cited**

(71) Applicant: **Challenge Implements Holdings Pty Limited**, New South Wales (AU)

U.S. PATENT DOCUMENTS

(72) Inventors: **Craig Healey**, New South Wales (AU);
John Healey, New South Wales (AU);
Jack Rahilly, New South Wales (AU);
Daniel Webb, New South Wales (AU)

2,774,155	A *	12/1956	Hipp	172/145
3,234,669	A *	2/1966	Kachnik et al.	172/445.2
D216,874	S *	3/1970	Cline	D15/32
D219,809	S *	2/1971	Coontz	D15/32
3,598,186	A *	8/1971	Coontz	172/445.2
D248,302	S *	6/1978	Zoller	D15/32
4,463,507	A *	8/1984	Gaub	37/404
D331,380	S *	12/1992	Craddock	D12/400
5,411,102	A *	5/1995	Nickels et al.	172/781
5,427,185	A *	6/1995	Seal	172/684.5
5,529,131	A *	6/1996	Van Ornum	172/789
D395,436	S *	6/1998	Hagenbuch	D15/32
5,775,438	A *	7/1998	Confoey et al.	172/831
D623,668	S *	9/2010	Bissell	D15/27
D672,370	S *	12/2012	Becker	D15/28

(73) Assignee: **Challenge Implements Holdings Pty Ltd**, Orange (AU)

(**) Term: **14 Years**

(21) Appl. No.: **29/457,519**

OTHER PUBLICATIONS

(22) Filed: **Jun. 11, 2013**

Australian Design Application No. 11905/2012, Grader Attachment Assembly and Components, Challenge Implements Holdings Pty Limited, Apr. 17, 2012.

Related U.S. Application Data

(63) Continuation of application No. 29/434,669, filed on Oct. 16, 2012, now abandoned.

* cited by examiner

(30) **Foreign Application Priority Data**

Apr. 17, 2012 (AU) 11905/2012

(51) **LOC (10) Cl.** **15-03**

(52) **U.S. Cl.**
USPC **D15/28**

(58) **Field of Classification Search**
USPC D15/10-12, 22-26, 28, 32; 37/234,
37/407, 435, 441, 442; 172/789, 776, 788,
172/791, 796, 797

See application file for complete search history.

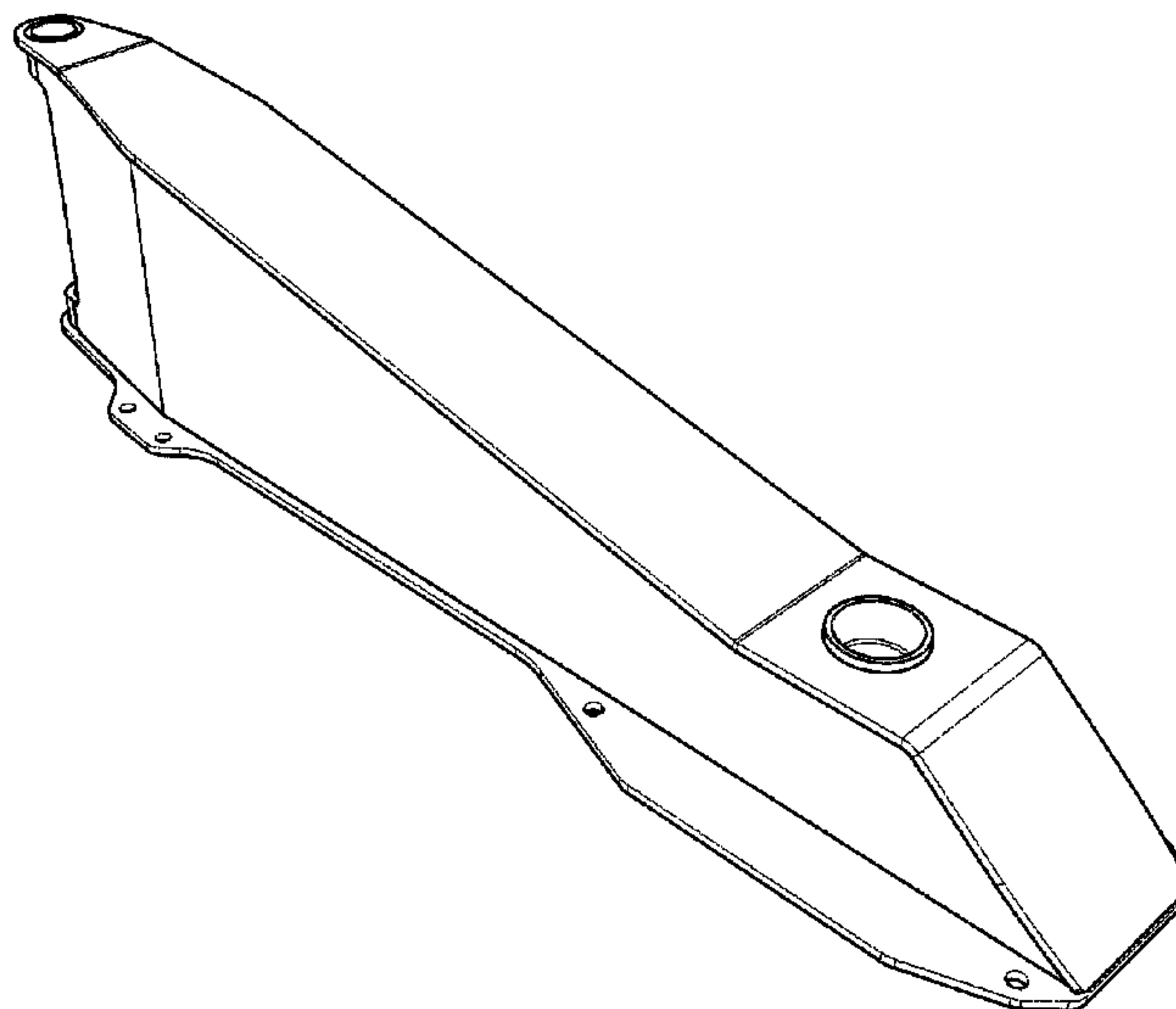
Primary Examiner — Mark Goodwin
(74) *Attorney, Agent, or Firm* — Gordon & Jacobson, PC

(57) **CLAIM**
The ornamental design for a swing arm of a grader assembly, as shown and described.

DESCRIPTION

FIG. 1 is a perspective view of a swing arm of a grader assembly showing our new design.
FIG. 2 is a bottom view of the swing arm.
FIG. 3 is a plan view of the swing arm.
FIG. 4 is a left side view of the swing arm.
FIG. 5 is a right side view of the swing arm.
FIG. 6 is a rear view of the swing arm; and,
FIG. 7 is a front view of the swing arm.

1 Claim, 7 Drawing Sheets



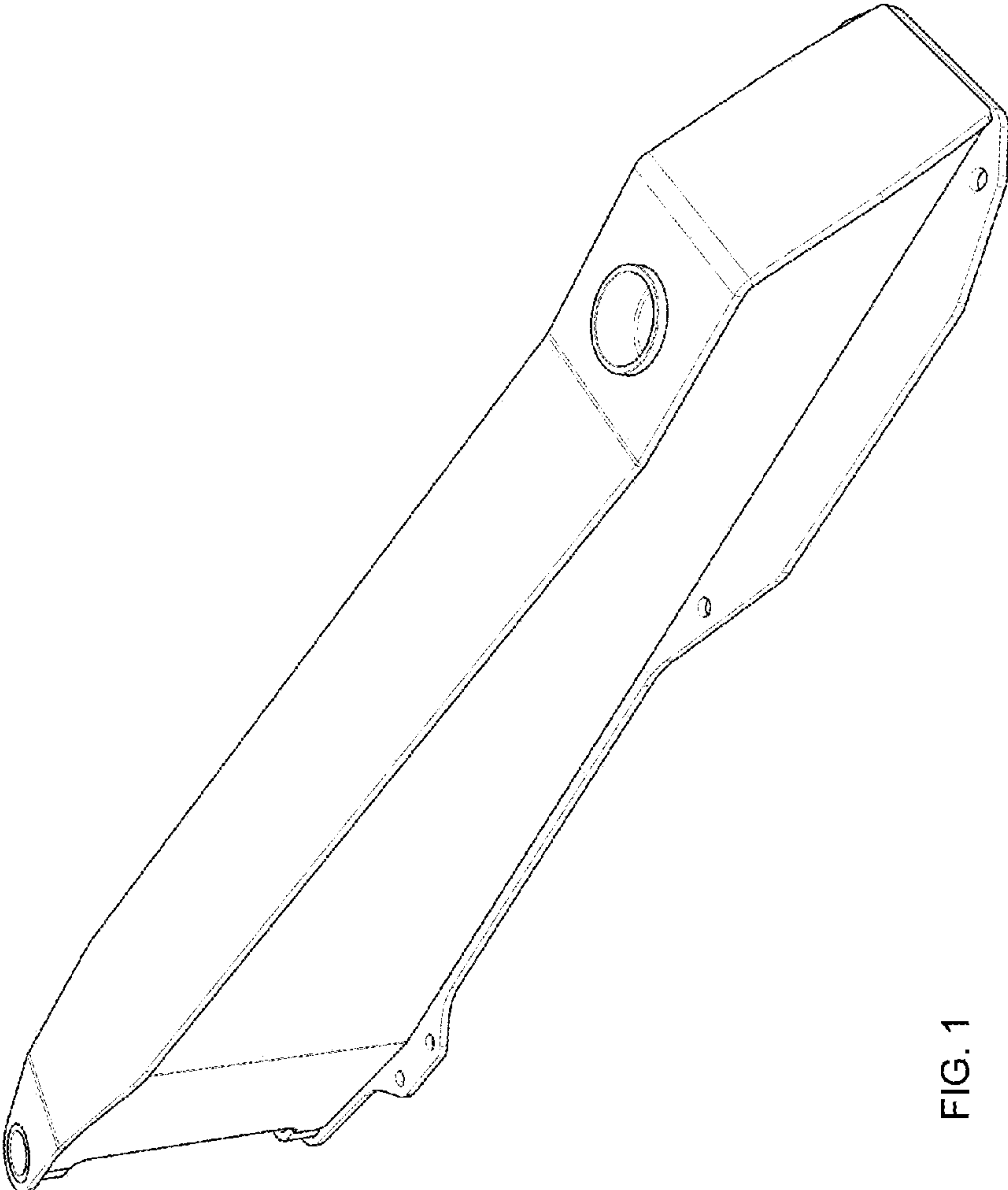


FIG. 1

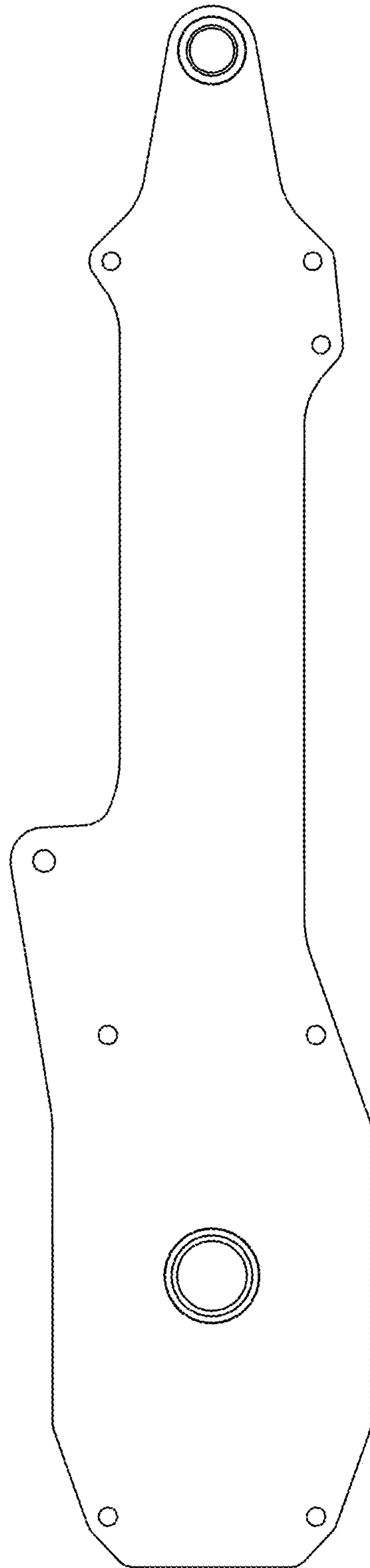


FIG. 2

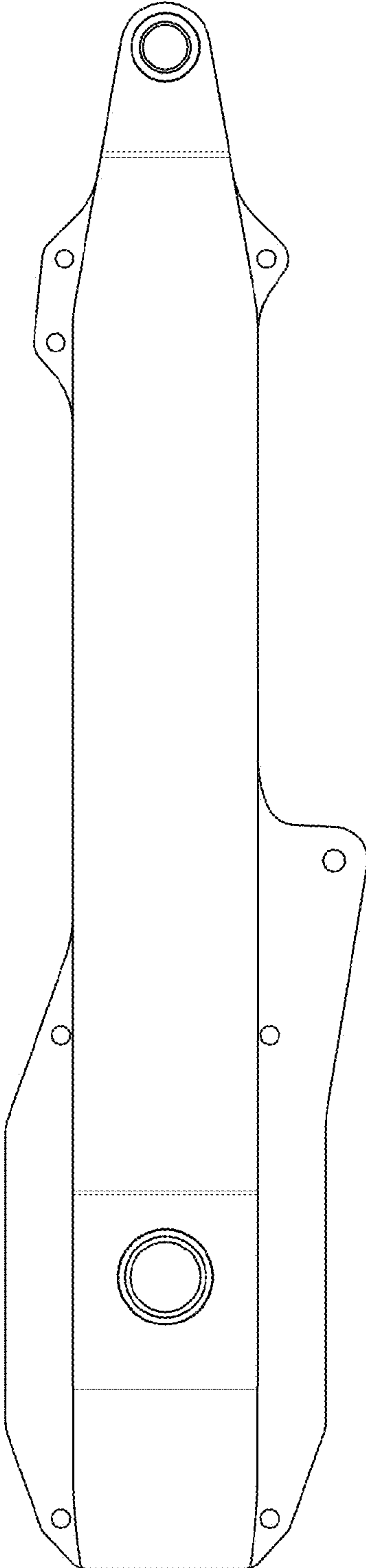


FIG. 3

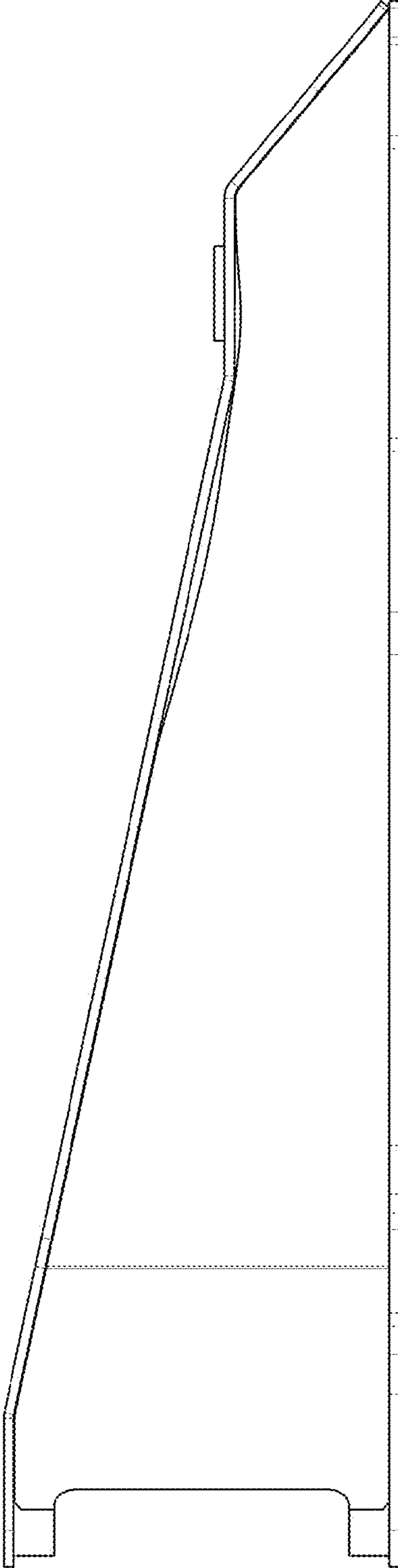


FIG. 4

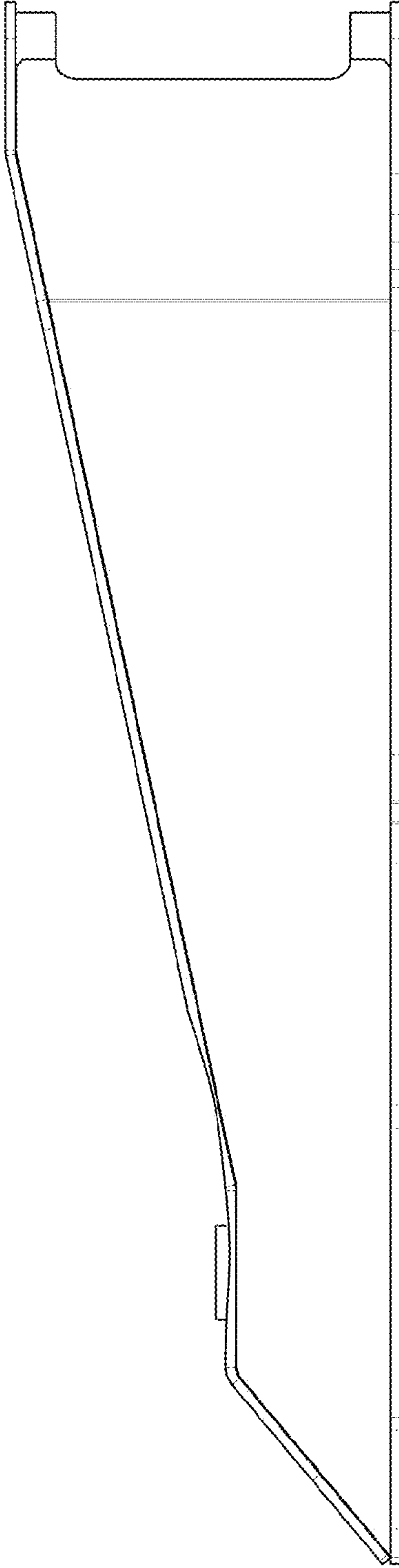


FIG. 5

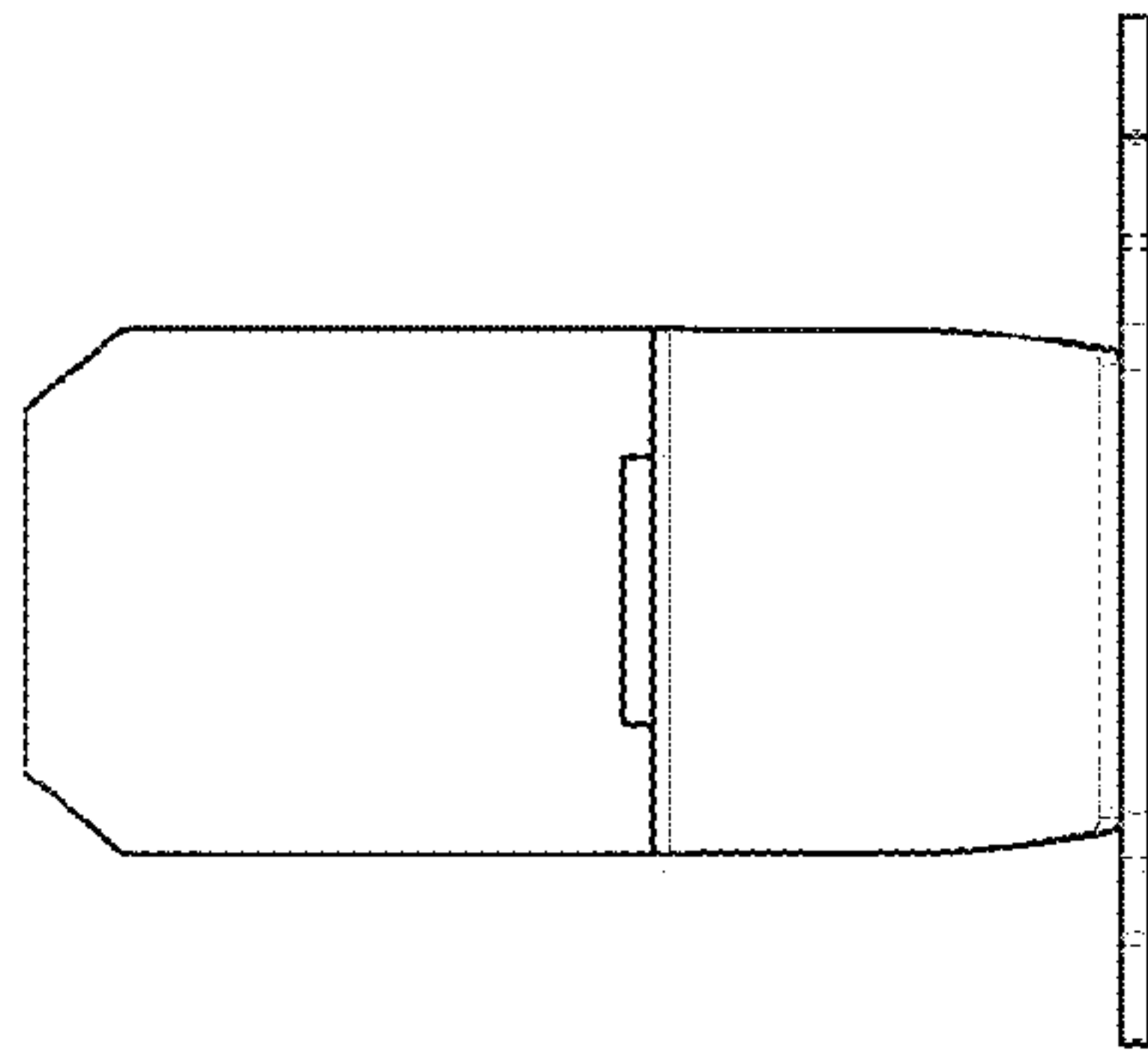


FIG. 6

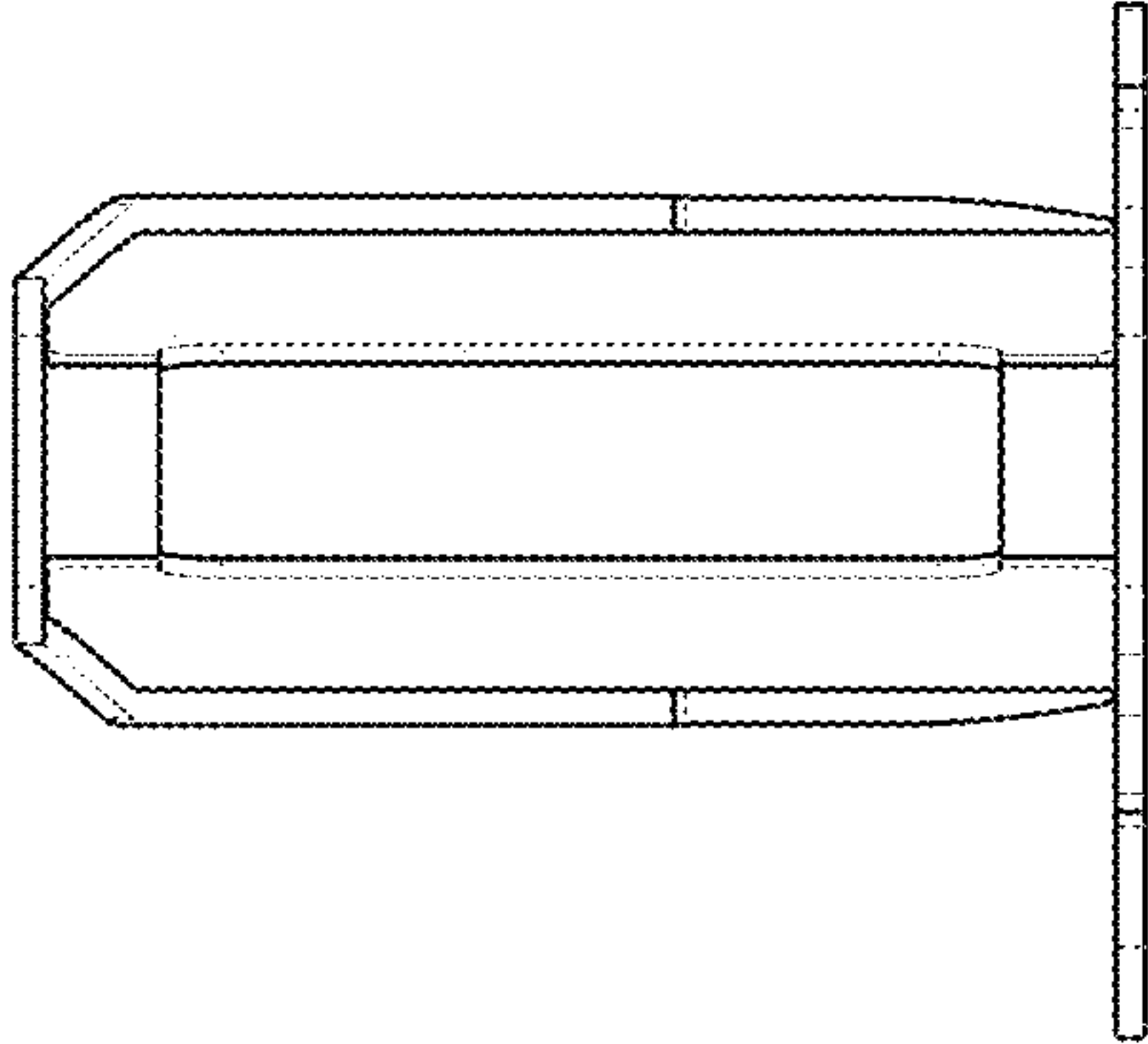


FIG. 7