



US00D697944S

(12) **United States Design Patent**  
**Walker et al.**

(10) **Patent No.:** **US D697,944 S**  
(45) **Date of Patent:** **\*\* Jan. 21, 2014**

(54) **ROW DIVIDER HOOD HAVING A  
STRUCTURED SURFACE FOR A CORN HEAD  
ASSEMBLY**

(71) Applicant: **CNH America LLC**, New Holland, PA  
(US)

(72) Inventors: **Eric L. Walker**, Leola, PA (US); **Brian  
Patrick Crow**, Rock Island, IL (US);  
**James Michael Gessel**, Geneseo, IL  
(US); **Frederick Robert Hubach**,  
Stevens, PA (US)

(73) Assignee: **CNH America LLC**, New Holland, PA  
(US)

(\*\*) Term: **14 Years**

(21) Appl. No.: **29/451,804**

(22) Filed: **Apr. 9, 2013**

(51) **LOC (10) Cl.** ..... **15-03**

(52) **U.S. Cl.**  
USPC ..... **D15/28**

(58) **Field of Classification Search**  
USPC ..... D15/10–12, 22–26, 28; 56/119, 14.1,  
56/60, 62; 460/16, 42  
See application file for complete search history.

(56) **References Cited**

**U.S. PATENT DOCUMENTS**

762,795	A	6/1904	Ackerman	
1,800,058	A	4/1931	Dugger	
2,366,408	A *	1/1945	Jenson	56/104
2,440,791	A *	5/1948	Welty	56/16.4 R
2,751,744	A	6/1956	Reade et al.	
2,811,005	A	10/1957	Porath	
2,972,848	A *	2/1961	McKee	56/13.3
2,981,045	A	4/1961	Blanshine et al.	

(Continued)

*Primary Examiner* — Mark Goodwin  
(74) *Attorney, Agent, or Firm* — Patrick M. Shel Drake

(57) **CLAIM**

The ornamental design for a row divider hood having structured surface for a corn head assembly, as shown and described.

**DESCRIPTION**

FIG. 1 is a rear perspective view of a row divider hood having structured surface for a corn head assembly with a structured surface for a corn head assembly in accordance with the new design;

FIG. 2 is another rear perspective view of the row divider hood having structured surface for a corn head assembly;

FIG. 3 is a top plan view of the row divider hood having structured surface for a corn head assembly;

FIG. 4 is a left side elevation view of the elevation view of the row divider hood having structured surface for a corn head assembly, which is a mirror image of a right side elevation view of the row divider hood having structured surface for a corn head assembly;

FIG. 5 is a rear elevation view of the row divider hood having structured surface for a corn head assembly;

FIG. 6 is yet another rear perspective view of the row divider hood having structured surface for a corn head assembly;

FIG. 7 is another top plan view of the row divider hood having structured surface for a corn head assembly;

FIG. 8 is a front elevation view of the row divider hood having structured surface for a corn head assembly;

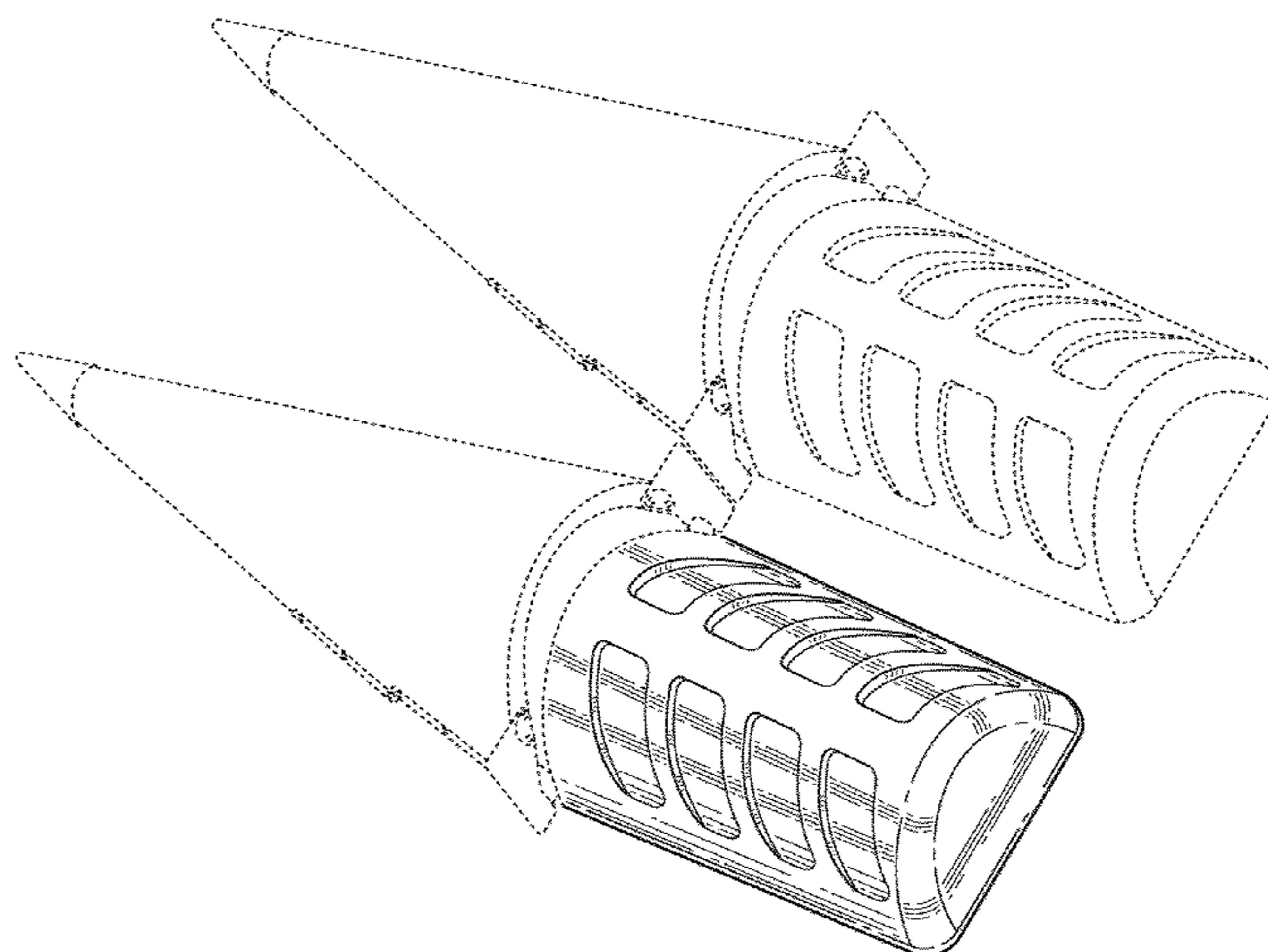
FIG. 9 is another rear elevation view of the row divider hood having structured surface for a corn head assembly;

FIG. 10 is a right side elevation view of the row divider hood having structured surface for a corn head assembly, which is a mirror image of a left side elevation view of the row divider hood having structured surface for a corn head assembly; and,

FIG. 11 is a bottom plan view of the row divider hood having structured surface for a corn head assembly.

The broken lines in FIGS. 1-5, illustrate portions of a row divider of a corn head for purposes of illustrating environmental structure only and form no part of the claimed design.

**1 Claim, 7 Drawing Sheets**



(56)

**References Cited**

U.S. PATENT DOCUMENTS

3,110,314 A *	11/1963	Roberts et al. ....	460/42	4,300,335 A	11/1981	Anderson	
3,209,526 A	10/1965	Morrow et al.		4,630,430 A *	12/1986	Weeks .....	56/14.1
3,241,299 A *	3/1966	Sutton .....	56/119	4,999,983 A *	3/1991	Britt et al. ....	56/107
3,433,004 A	3/1969	Blunk et al.		5,195,309 A	3/1993	Mossman	
3,462,922 A	8/1969	Phillips et al.		5,775,076 A *	7/1998	Mossman .....	56/119
3,520,121 A *	7/1970	Ashton et al. ....	56/106	D399,854 S *	10/1998	Pearson .....	D15/28
D222,377 S *	10/1971	Fell et al. ....	D15/28	6,143,230 A *	11/2000	Andrios et al. ....	264/306
D227,391 S *	6/1973	Lawrence .....	D15/28	6,625,969 B2	9/2003	Glazik	
3,759,021 A	9/1973	Schreiner et al.		6,901,730 B1	6/2005	Buresch et al.	
3,808,783 A	5/1974	Sutherland et al.		7,073,316 B2	7/2006	Resing et al.	
3,911,651 A	10/1975	Schreiber		7,240,471 B2	7/2007	Mossman	
4,156,338 A	5/1979	Hengen		7,373,767 B2	5/2008	Calmer	
4,166,349 A *	9/1979	Coenenberg et al. ....	56/10.2 F	7,814,737 B2	10/2010	Pierson	
				7,874,134 B1	1/2011	Hoffman	
				7,913,480 B2	3/2011	Christensen et al.	
				2006/0174603 A1 *	8/2006	Mossman .....	56/314

\* cited by examiner

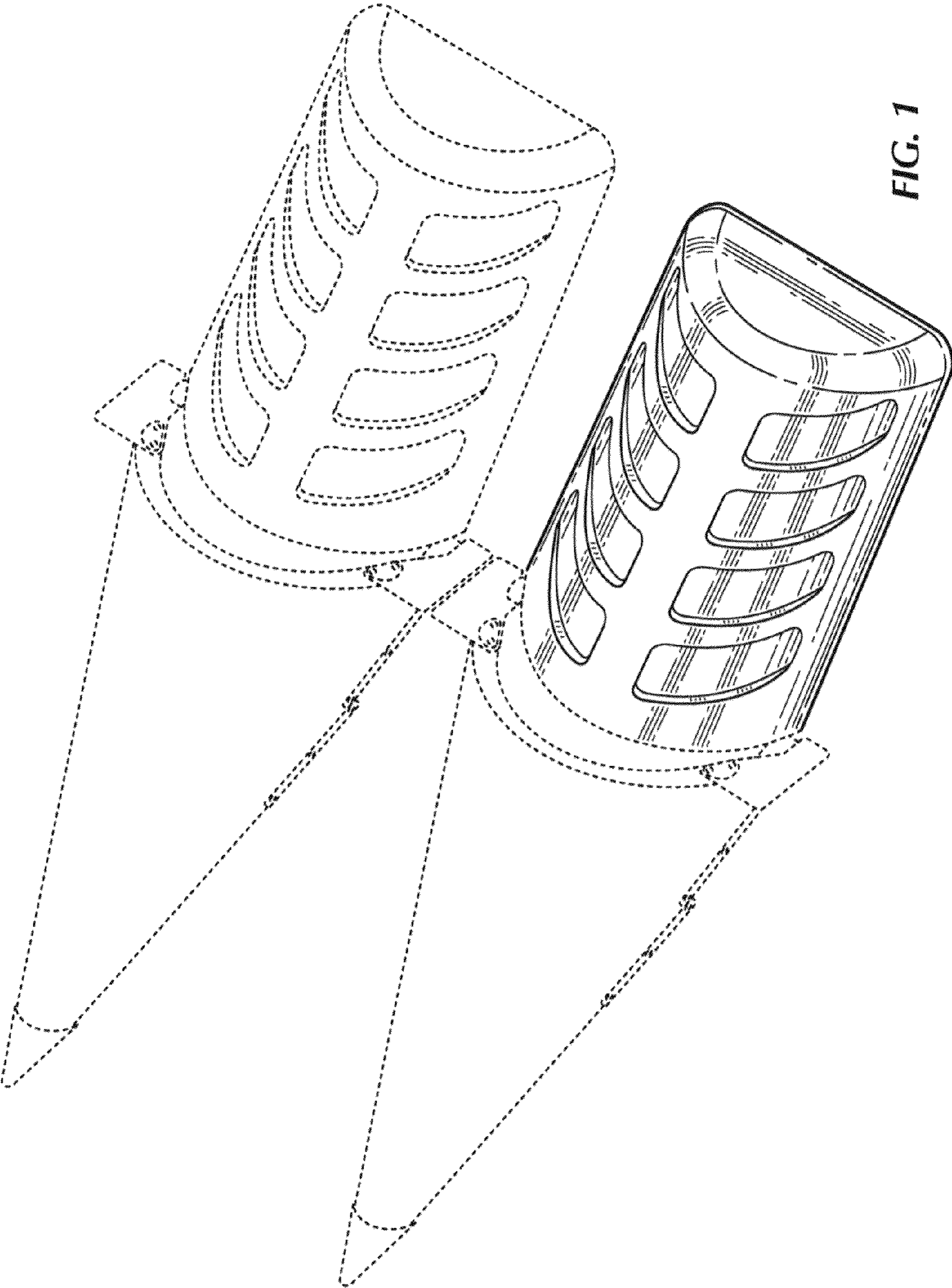


FIG. 1

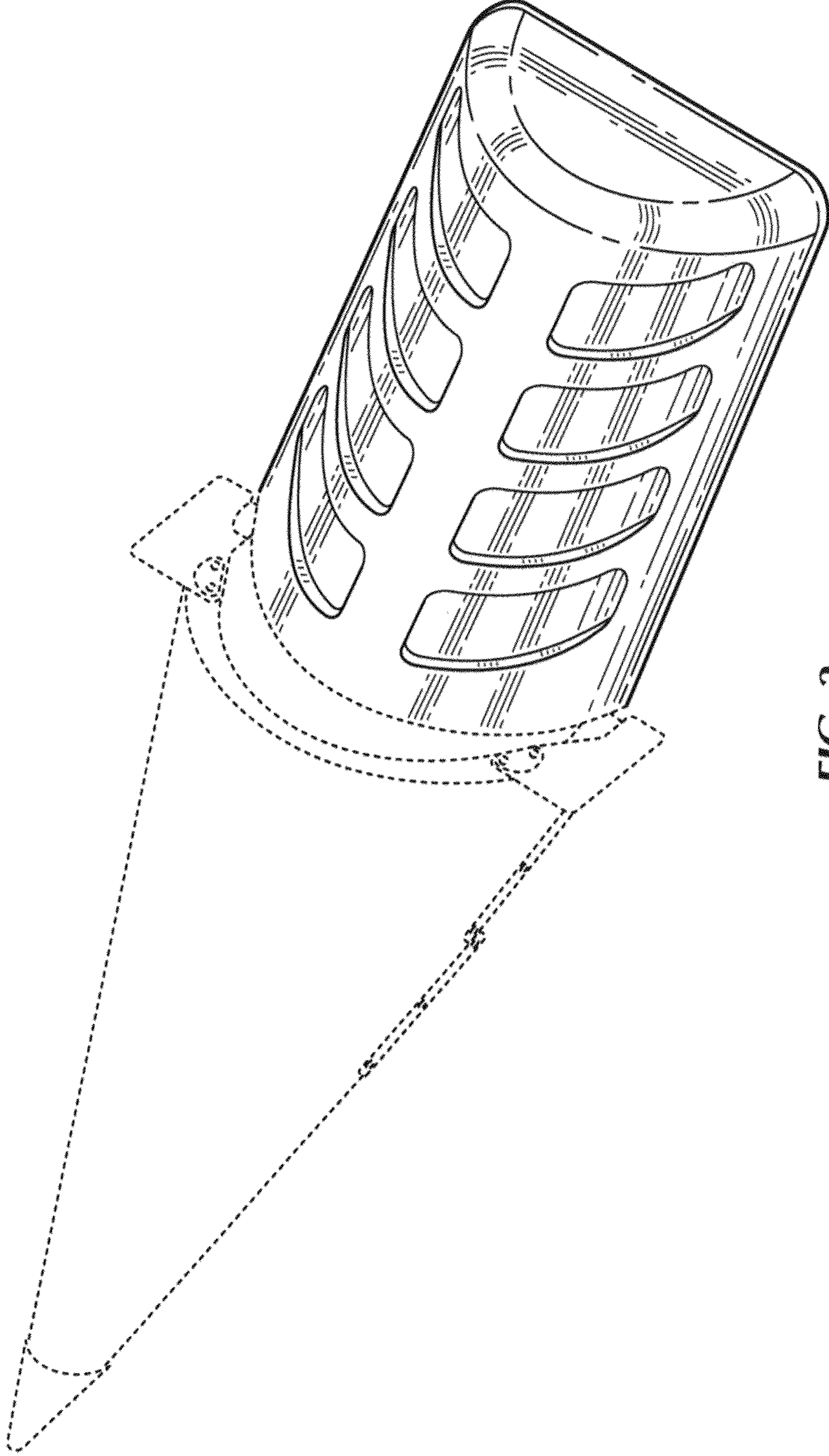


FIG. 2

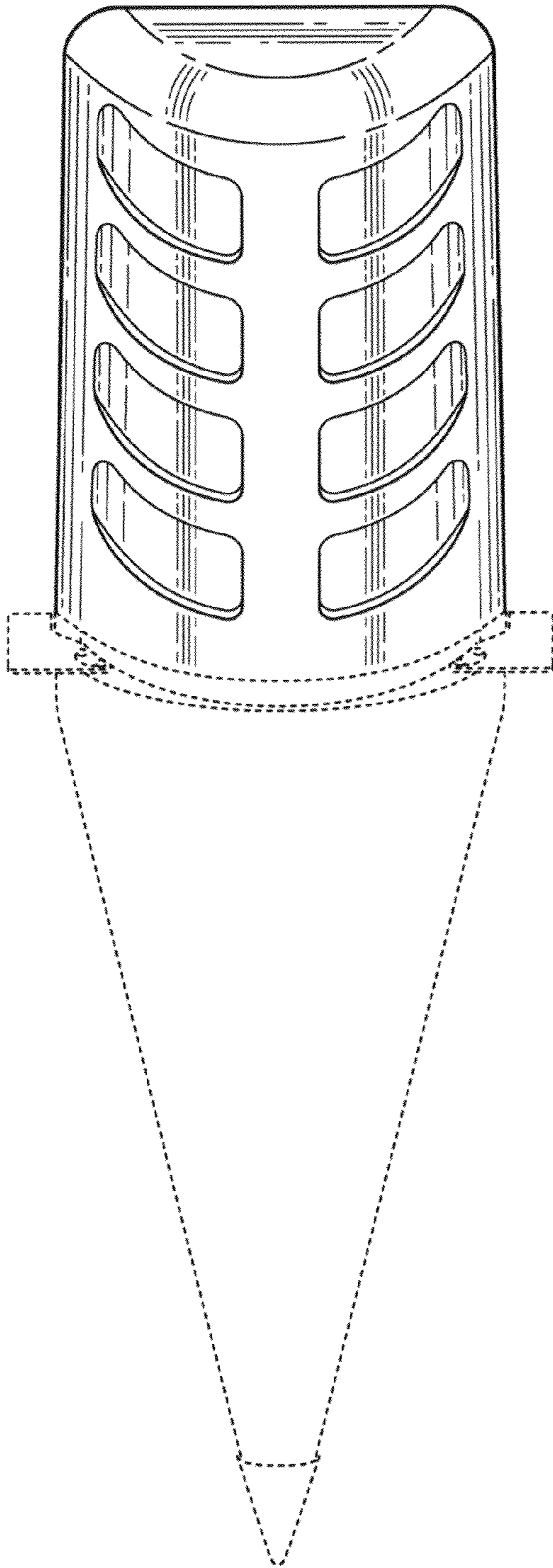


FIG. 3

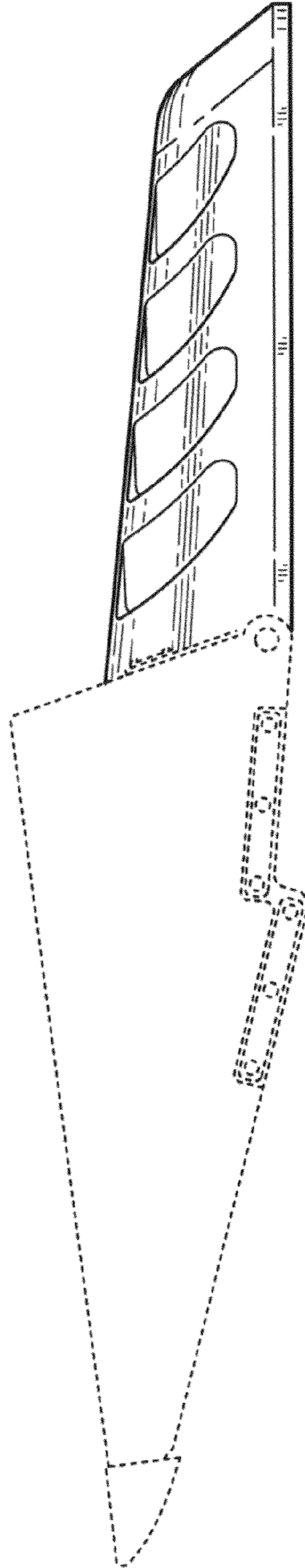


FIG. 4

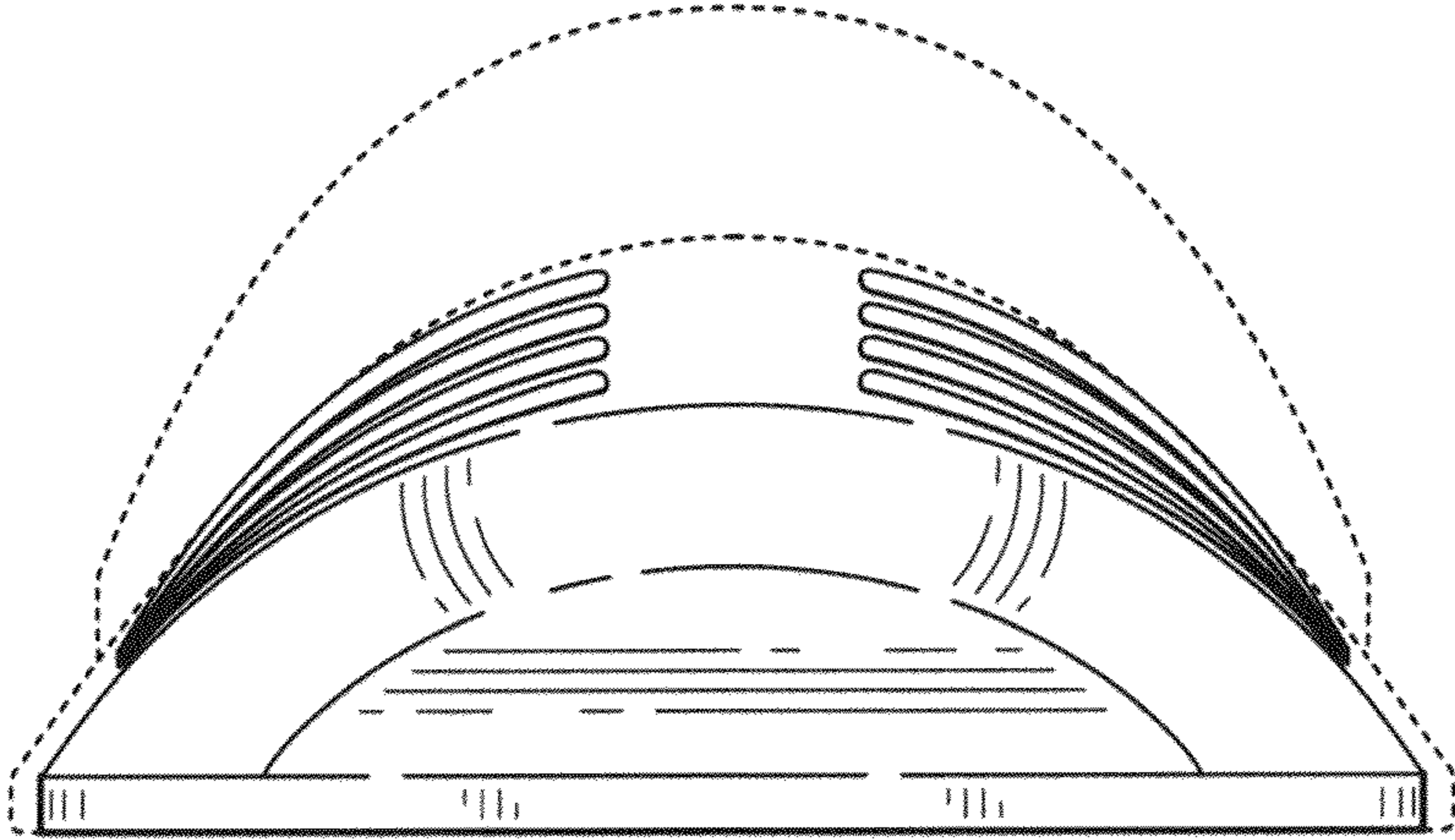


FIG. 5

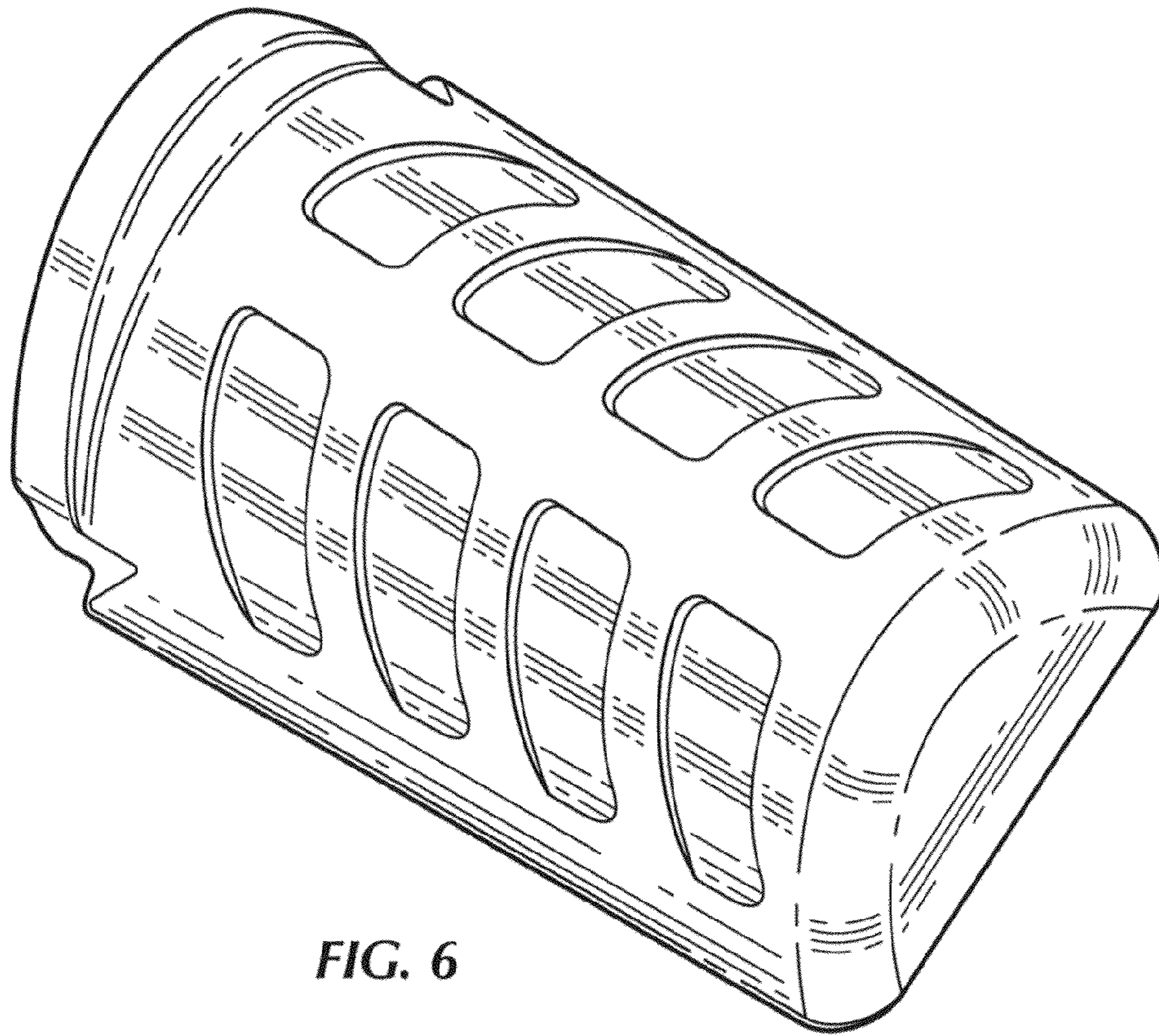


FIG. 6

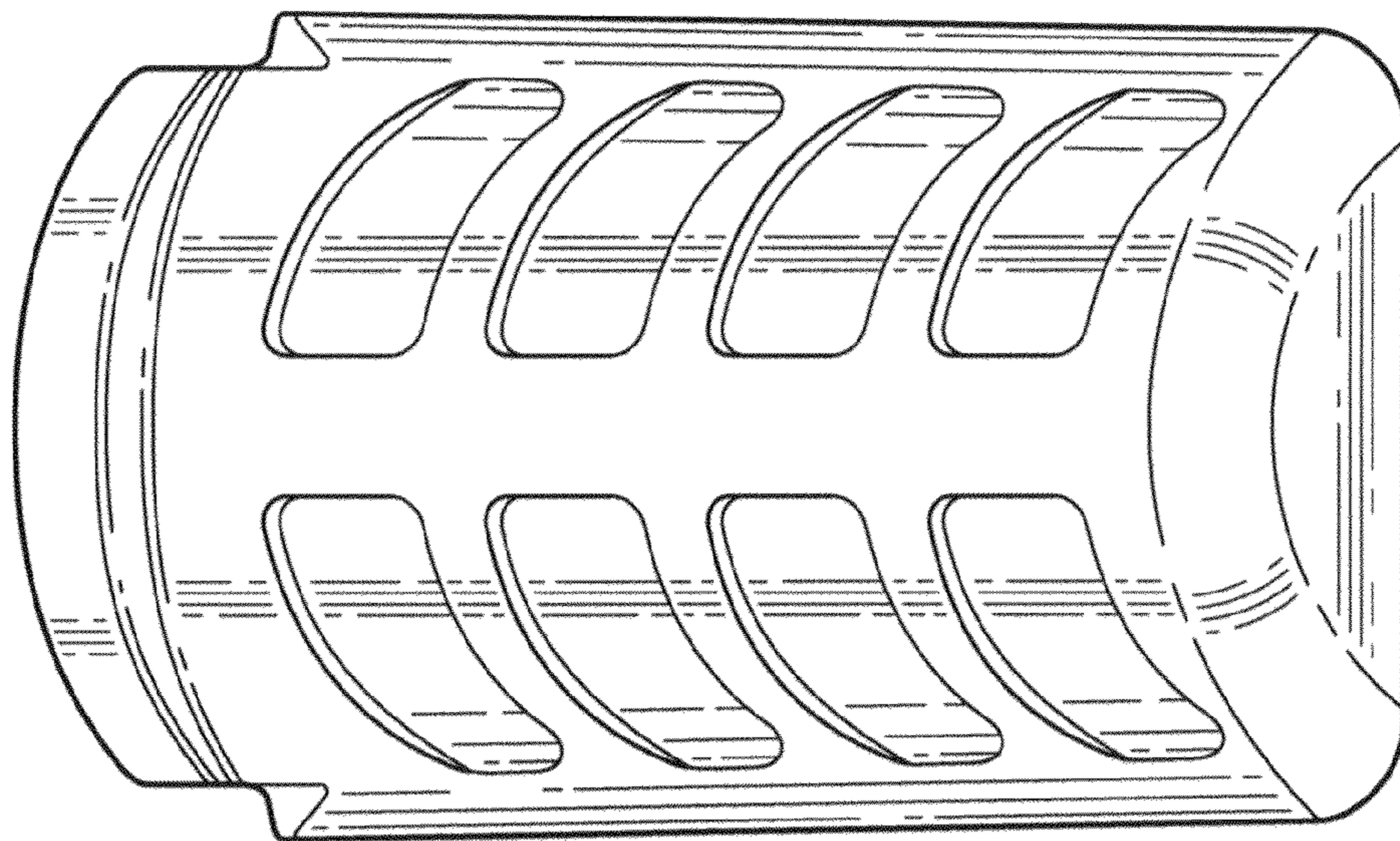


FIG. 7

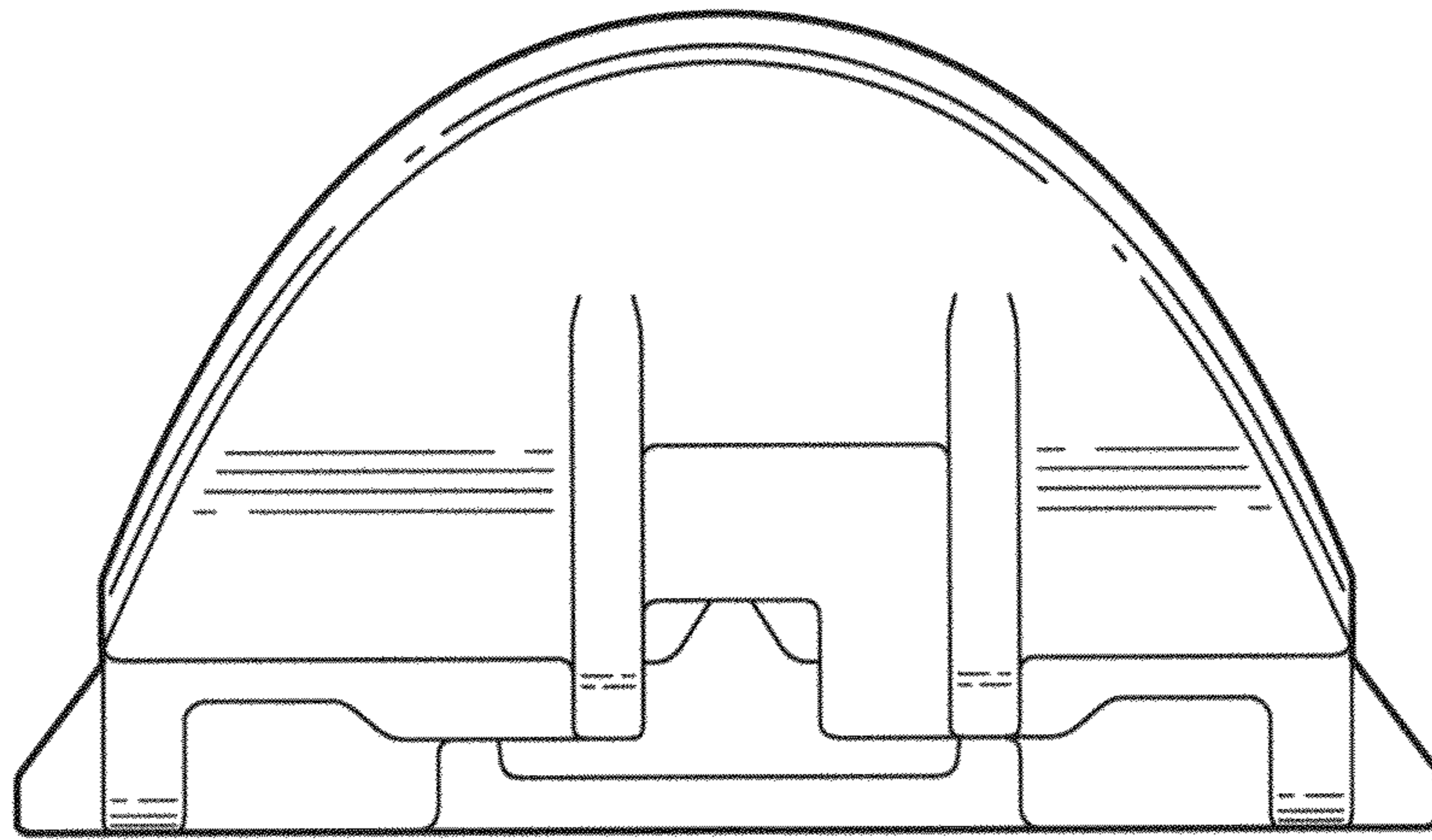


FIG. 8

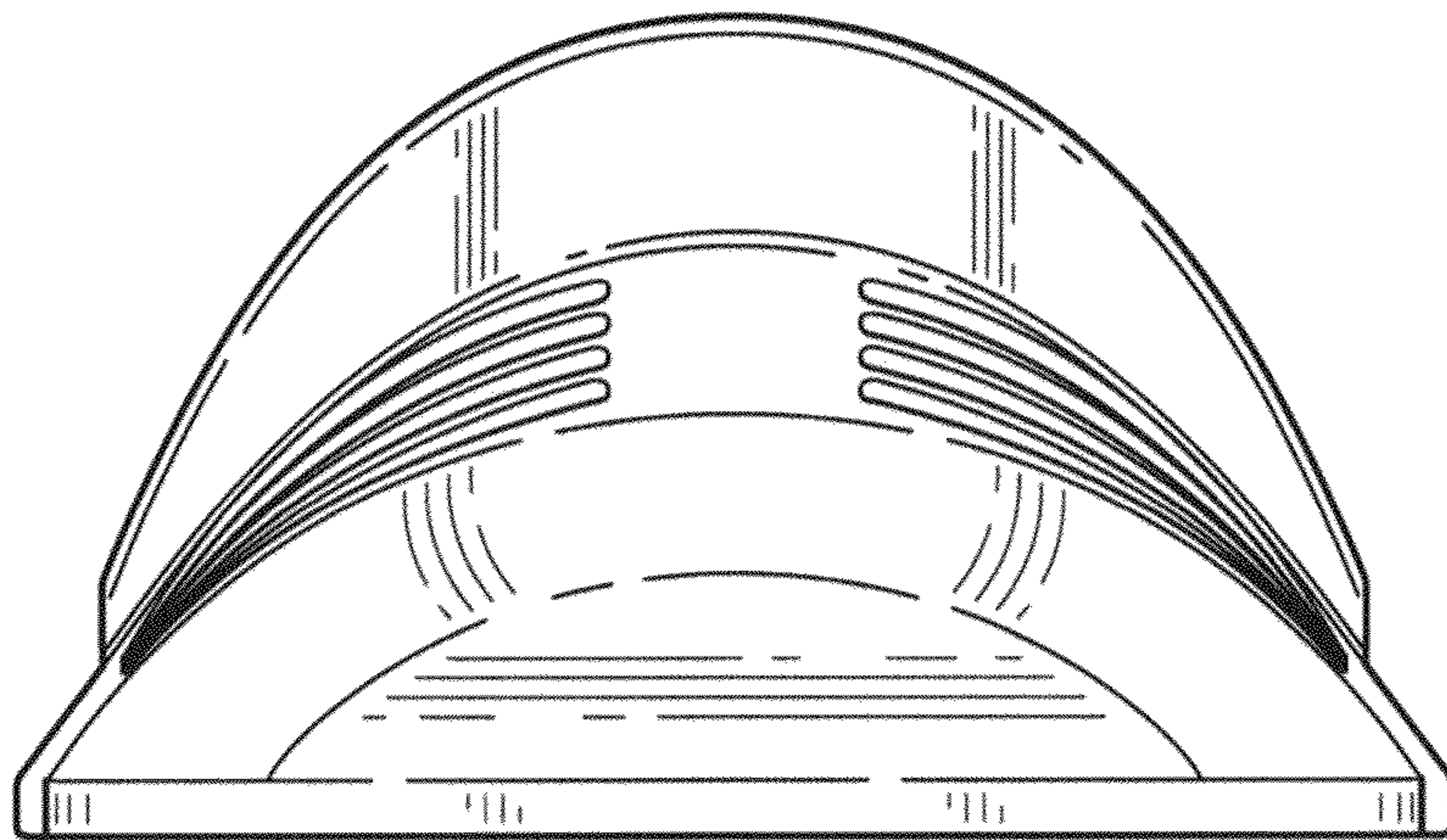


FIG. 9



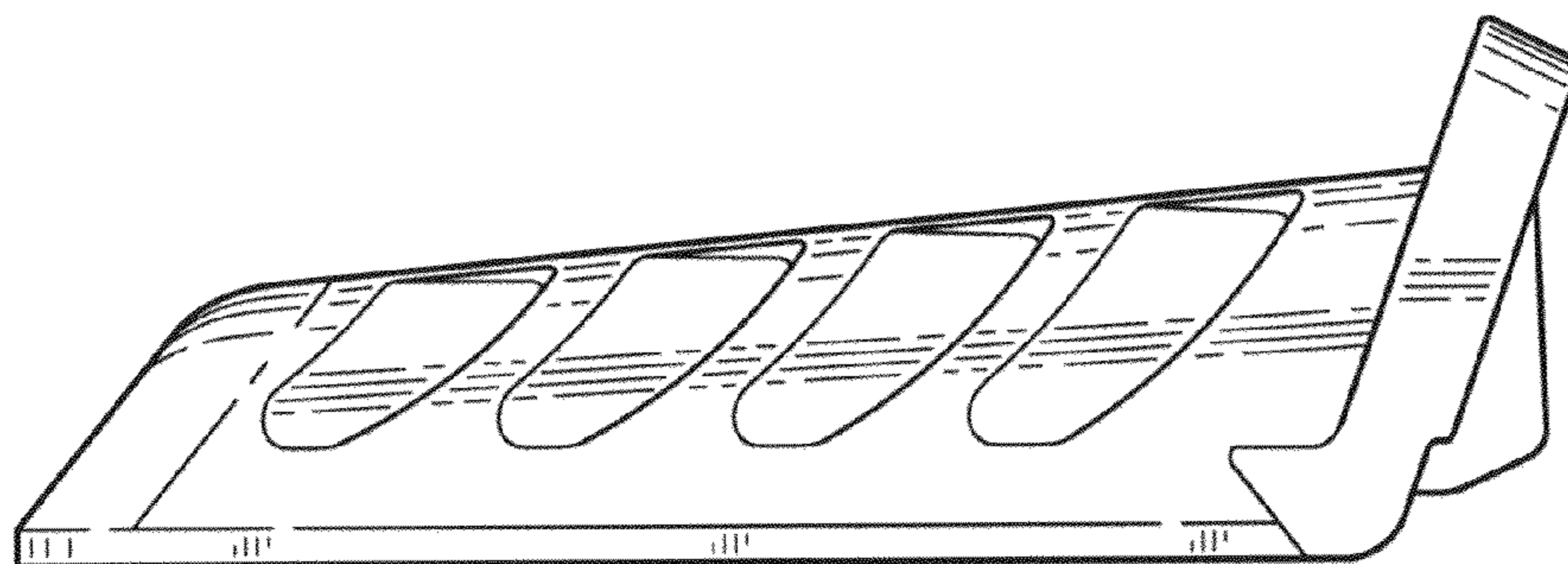


FIG. 10

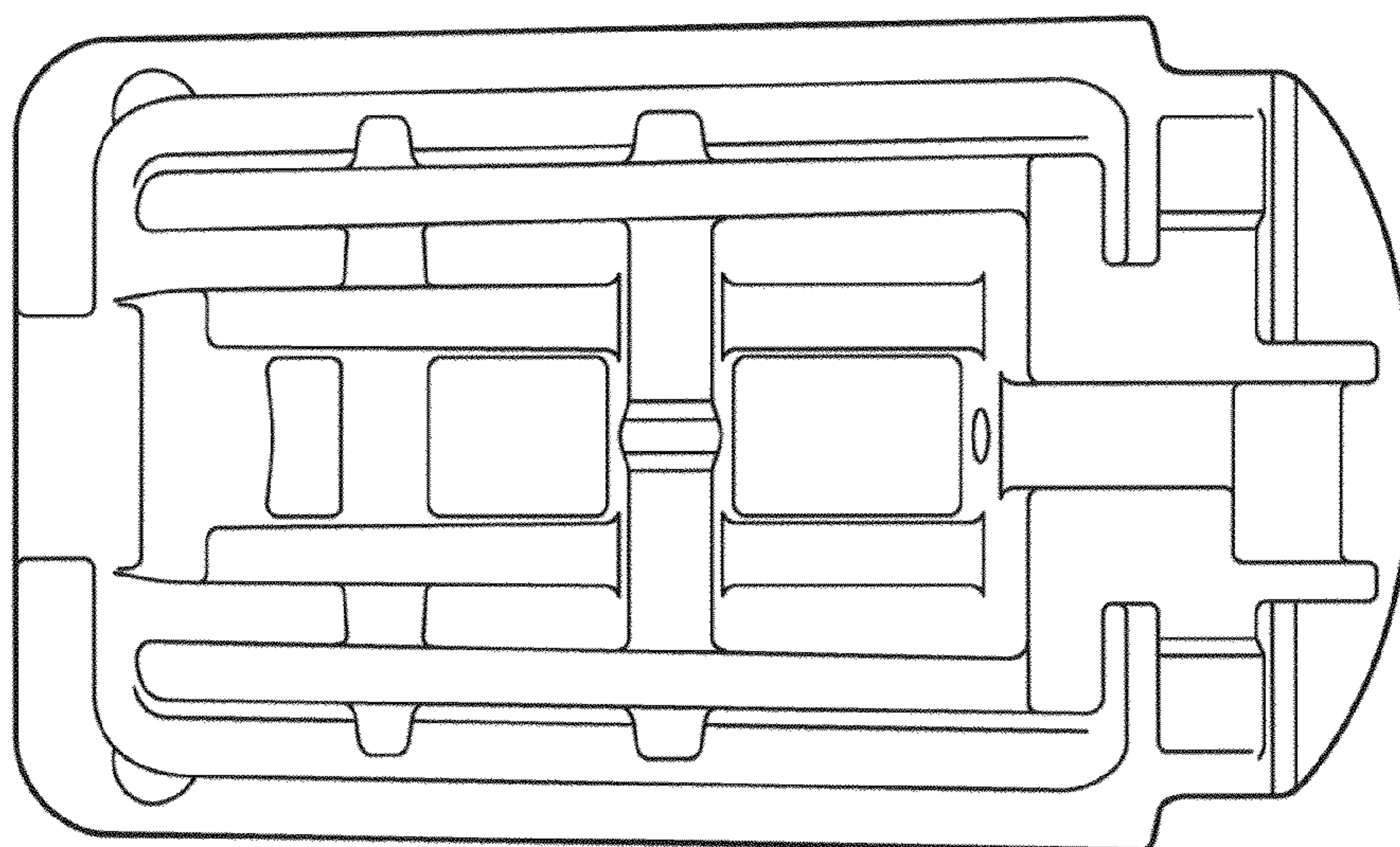


FIG. 11