



US00D697943S

(12) **United States Design Patent**
Capko et al.

(10) **Patent No.:** **US D697,943 S**
(45) **Date of Patent:** **** Jan. 21, 2014**

(54) **INTAKE MANIFOLD WITH AN INTEGRATED PCV PORT**

2006/0191505 A1* 8/2006 Doko et al. 123/184.59
2011/0277717 A1* 11/2011 Groleau et al. 123/184.34
2012/0234303 A1* 9/2012 Born et al. 123/527

(75) Inventors: **Michael Capko**, Conshohocken, PA (US); **David Andrew Jacobs**, North Wales, PA (US); **Timothy K. Keighron**, Rochester Hills, MI (US); **Jongkyu Kim**, Troy, MI (US); **Donald T. Carbone**, Rochester Hills, MI (US)

* cited by examiner

Primary Examiner — T. Chase Nelson
Assistant Examiner — Ania Aman
(74) *Attorney, Agent, or Firm* — Volpe and Koenig, P.C.

(73) Assignee: **RBMark, Inc.**, Wilmington, DE (US)

(57) **CLAIM**
The ornamental design for an intake manifold with an integrated PCV port, as shown and described.

(**) Term: **14 Years**

DESCRIPTION

(21) Appl. No.: **29/428,268**

FIG. 1 is a right perspective view of an intake manifold with an integrated PCV port showing our new design;
FIG. 2 is a left perspective view of the design shown in FIG. 1;
FIG. 3 is a top plan view of the design shown in FIG. 1;
FIG. 4 is a bottom plan view of the design shown in FIG. 1;
FIG. 5 is a right side elevation view of the design shown in FIG. 1;
FIG. 6 is a left side elevation view of the design shown in FIG. 1;
FIG. 7 is a front elevation view of the design shown in FIG. 1; and,
FIG. 8 is a rear elevation view of the design shown in FIG. 1.
The broken lines illustrate environmental structure and form no part of the claimed design.

(22) Filed: **Jul. 27, 2012**

(51) **LOC (10) Cl.** **15-01**

(52) **U.S. Cl.**
USPC **D15/5**

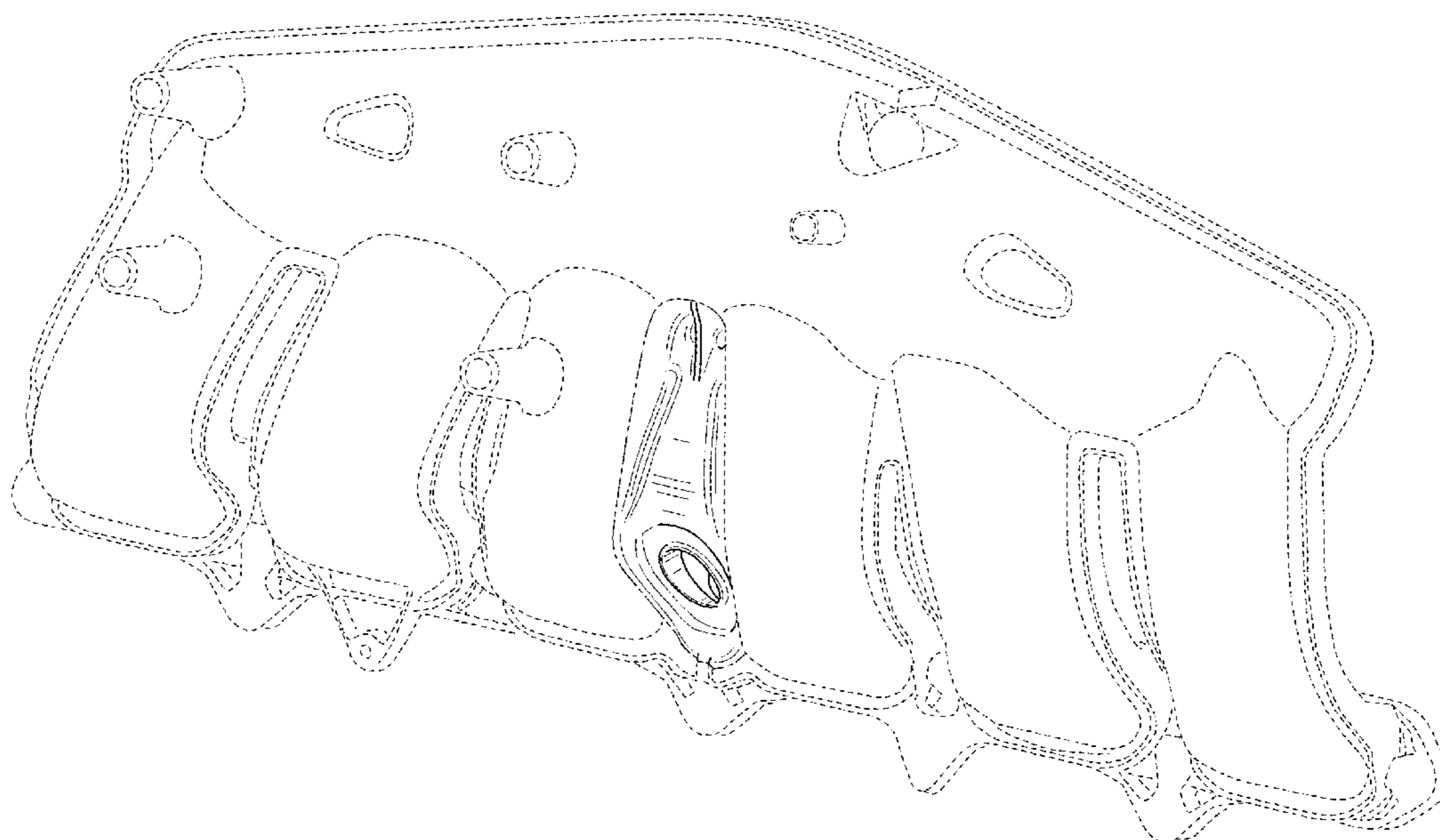
(58) **Field of Classification Search**
USPC D15/143, 5, 1, 2, 3, 4, 6; D23/233;
D13/147; 251/129.01, 129.15
See application file for complete search history.

(56) **References Cited**

U.S. PATENT DOCUMENTS

2004/0200450 A1* 10/2004 Tanikawa et al. 123/184.42
2006/0048740 A1* 3/2006 Tanikawa et al. 123/184.61

1 Claim, 8 Drawing Sheets



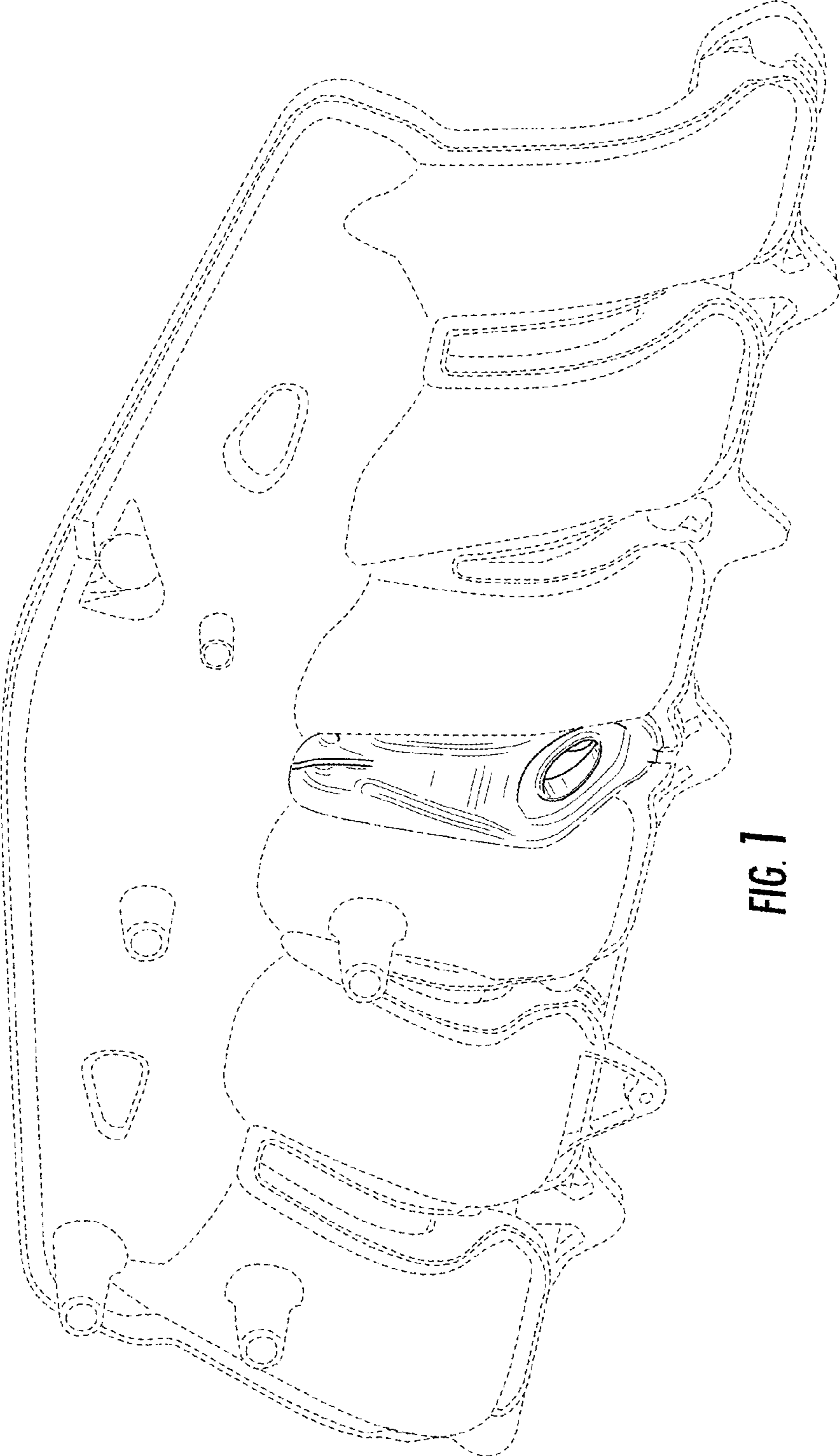


FIG. 1

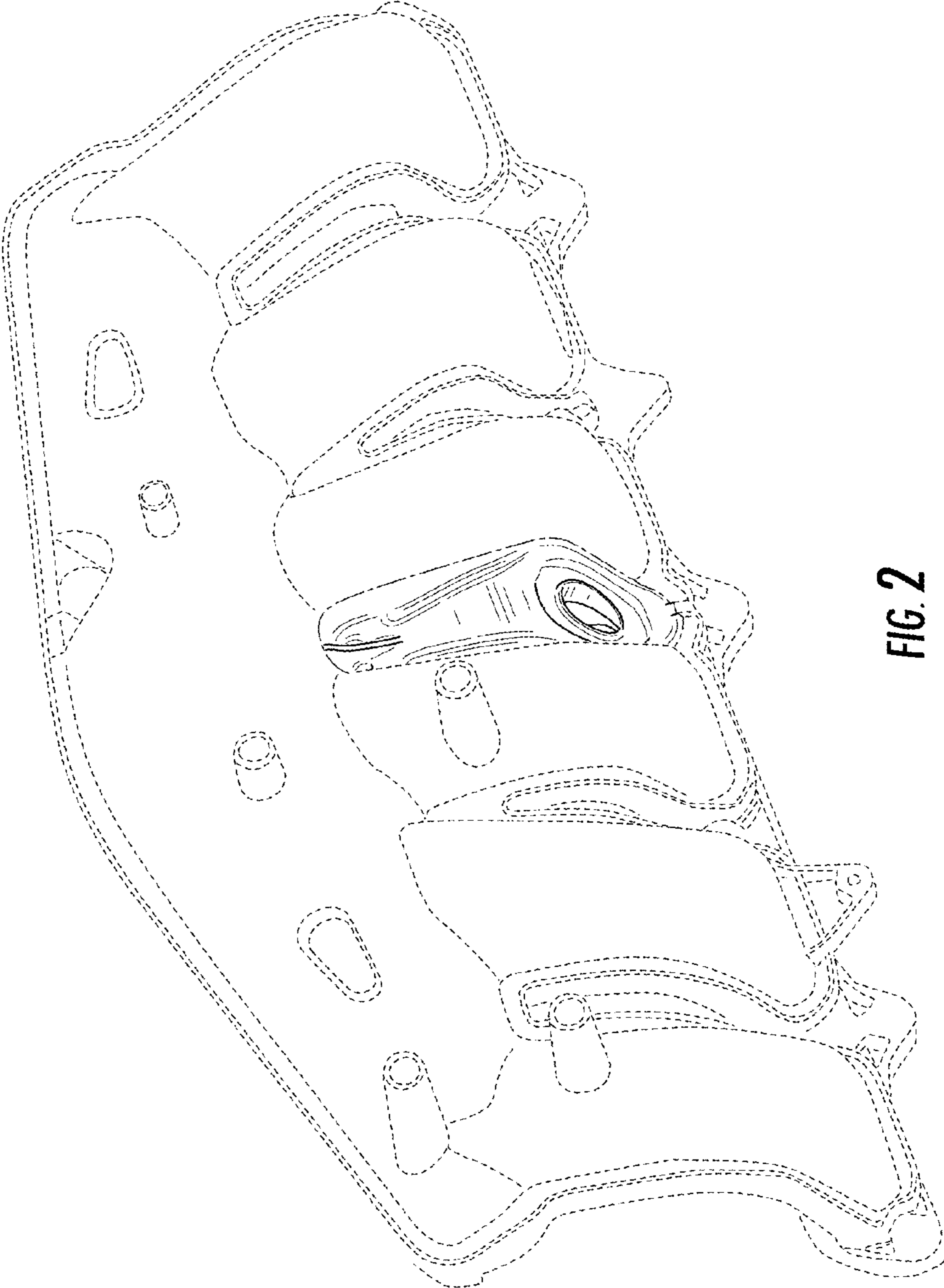


FIG. 2

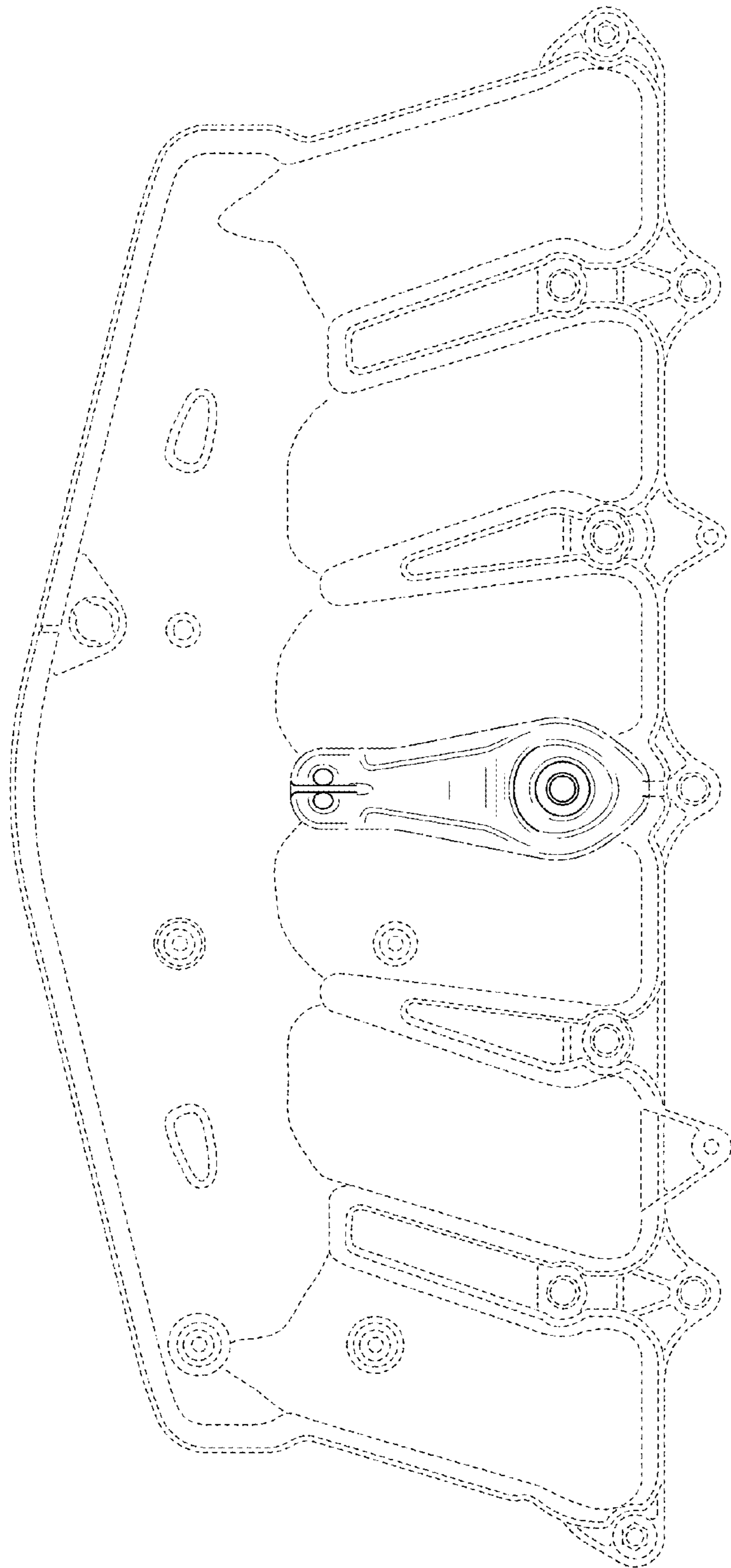


FIG. 3

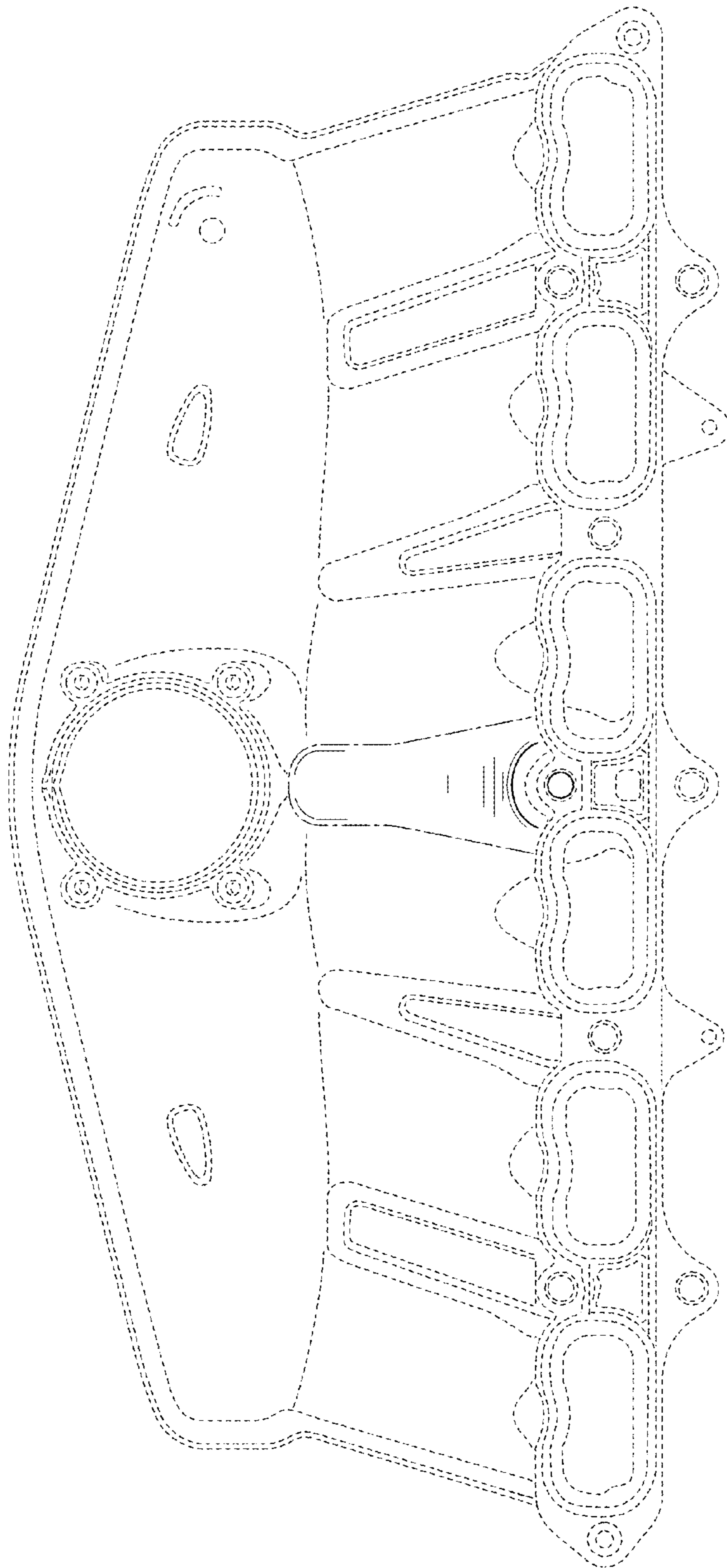


FIG. 4

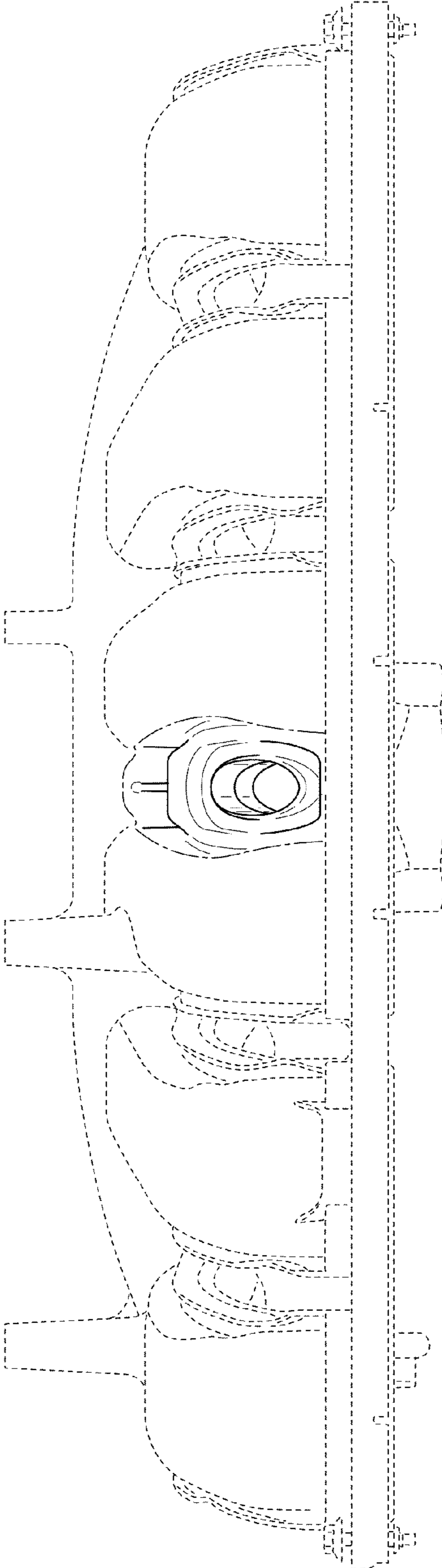


FIG. 5

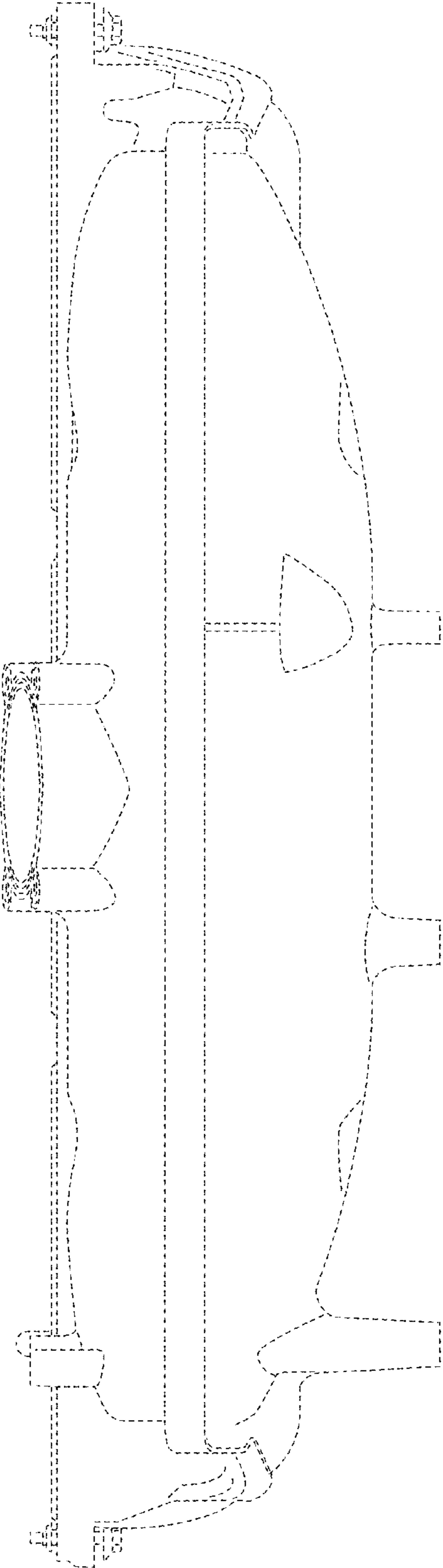


FIG. 6

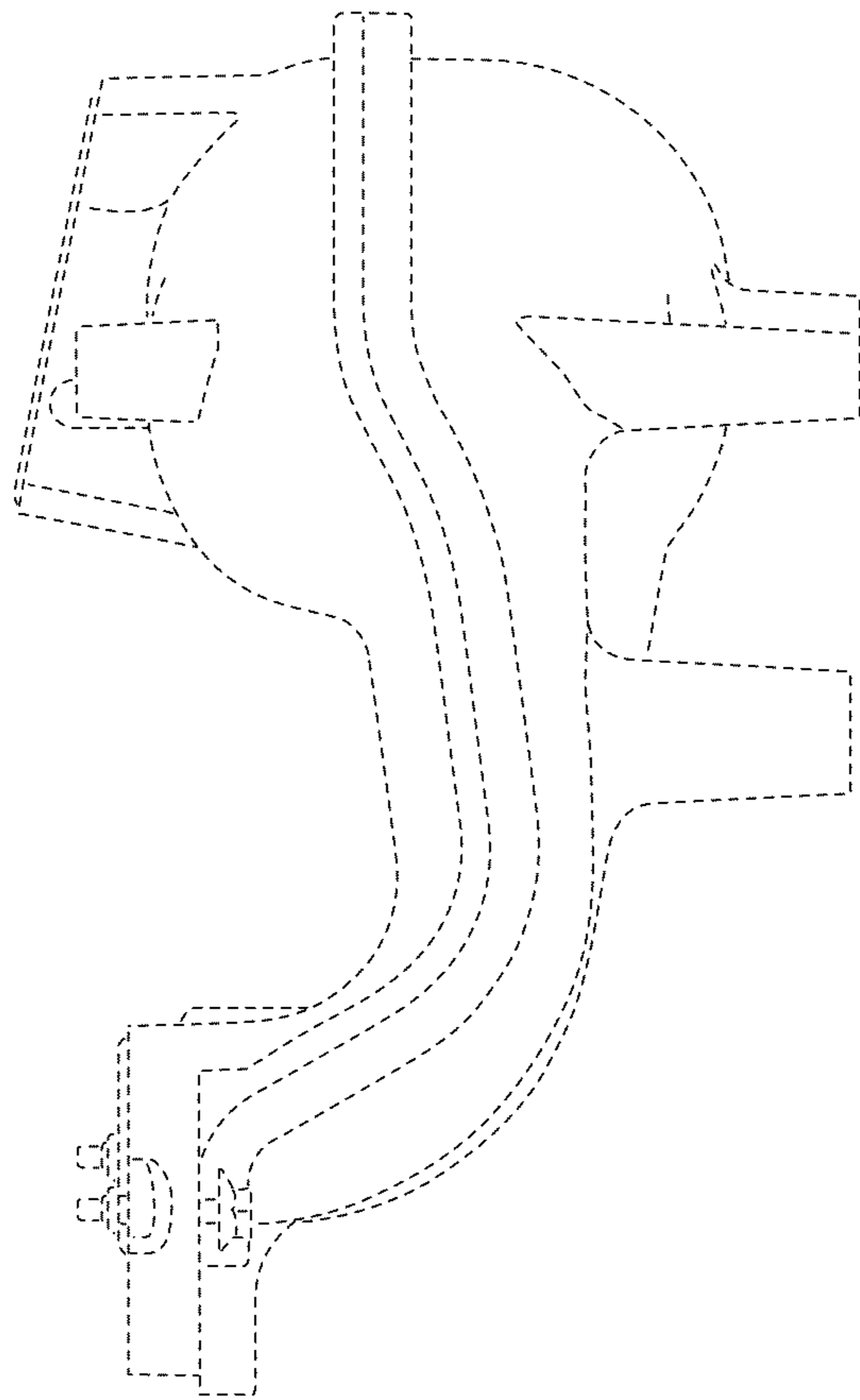


FIG. 7

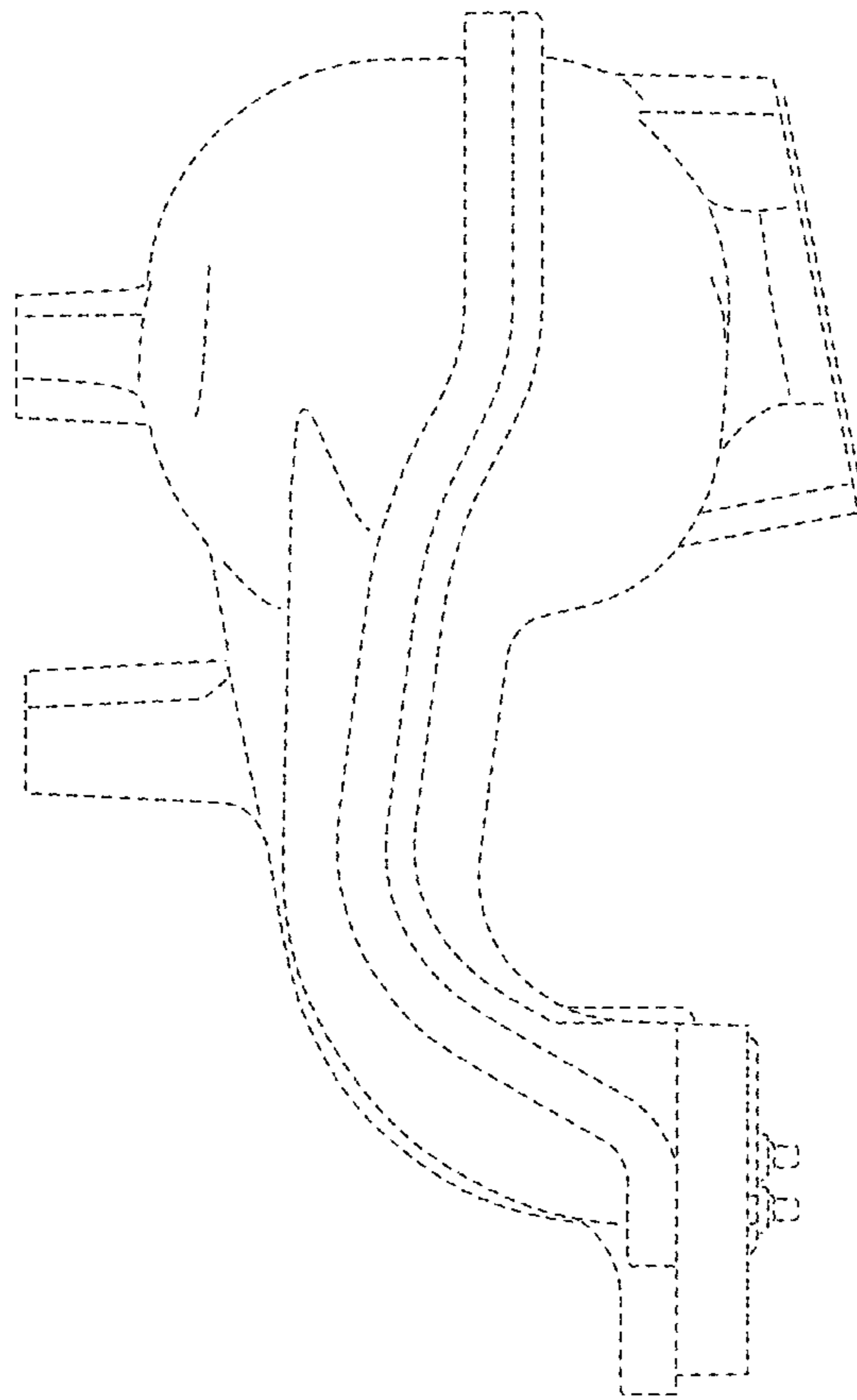


FIG. 8