



US00D697942S

(12) **United States Design Patent**  
**Puczok et al.**

(10) **Patent No.:** **US D697,942 S**  
(45) **Date of Patent:** **\*\* Jan. 21, 2014**

- (54) **MIXER ASSEMBLY**
- (75) Inventors: **Janusz Puczok**, Luxembourg (LU);  
**Filip Szybowski**, Clemency (LU)
- (73) Assignee: **Katcon Global, S.A.**, Bascharage (LU)
- (\*\*) Term: **14 Years**
- (21) Appl. No.: **29/422,708**
- (22) Filed: **May 23, 2012**
- (51) **LOC (10) Cl.** ..... **15-01**
- (52) **U.S. Cl.**  
USPC ..... **D15/5**
- (58) **Field of Classification Search**  
USPC ..... D15/1-5; D13/115; 129/136; 366/337;  
60/303, 324, 297, 286  
See application file for complete search history.

*Primary Examiner* — T. Chase Nelson  
*Assistant Examiner* — Ania Aman  
 (74) *Attorney, Agent, or Firm* — Howard & Howard  
 Attorneys PLLC

(57) **CLAIM**  
 The ornamental design for a mixer assembly, as shown and described.

**DESCRIPTION**

FIG. 1 is a perspective view of a first embodiment of a mixer assembly including a three-piece frame and a plurality of fins; FIG. 2 is a top elevational view of the mixer assembly of FIG. 1; FIG. 3 is a left side view of the mixer assembly of FIG. 1; FIG. 4 is a right side view of the mixer assembly of FIG. 1; FIG. 5 is a rear view of the mixer assembly of FIG. 1; FIG. 6 is a front view of the mixer assembly of FIG. 1; FIG. 7 is a bottom elevational view of the mixer assembly of FIG. 1; FIG. 8 is a perspective view of a second embodiment of a mixer assembly including a unitary frame and a plurality of fins; FIG. 9 is a top elevational view of the mixer assembly of FIG. 8; FIG. 10 is a left side view of the mixer assembly of FIG. 8; FIG. 11 is a right side view of the mixer assembly of FIG. 8; FIG. 12 is a rear view of the mixer assembly of FIG. 8; FIG. 13 is a front view of the mixer assembly of FIG. 8; and, FIG. 14 is a bottom elevational view of the mixer assembly of FIG. 8.

(56) **References Cited**

**U.S. PATENT DOCUMENTS**

4,848,920	A	7/1989	Heathe et al.	
D414,191	S *	9/1999	Kim	D15/5
6,449,947	B1 *	9/2002	Liu et al.	60/286
D469,781	S *	2/2003	Kim	D15/5
7,533,520	B2 *	5/2009	Cheng et al.	60/286
7,908,845	B2	3/2011	Brown et al.	

(Continued)

**FOREIGN PATENT DOCUMENTS**

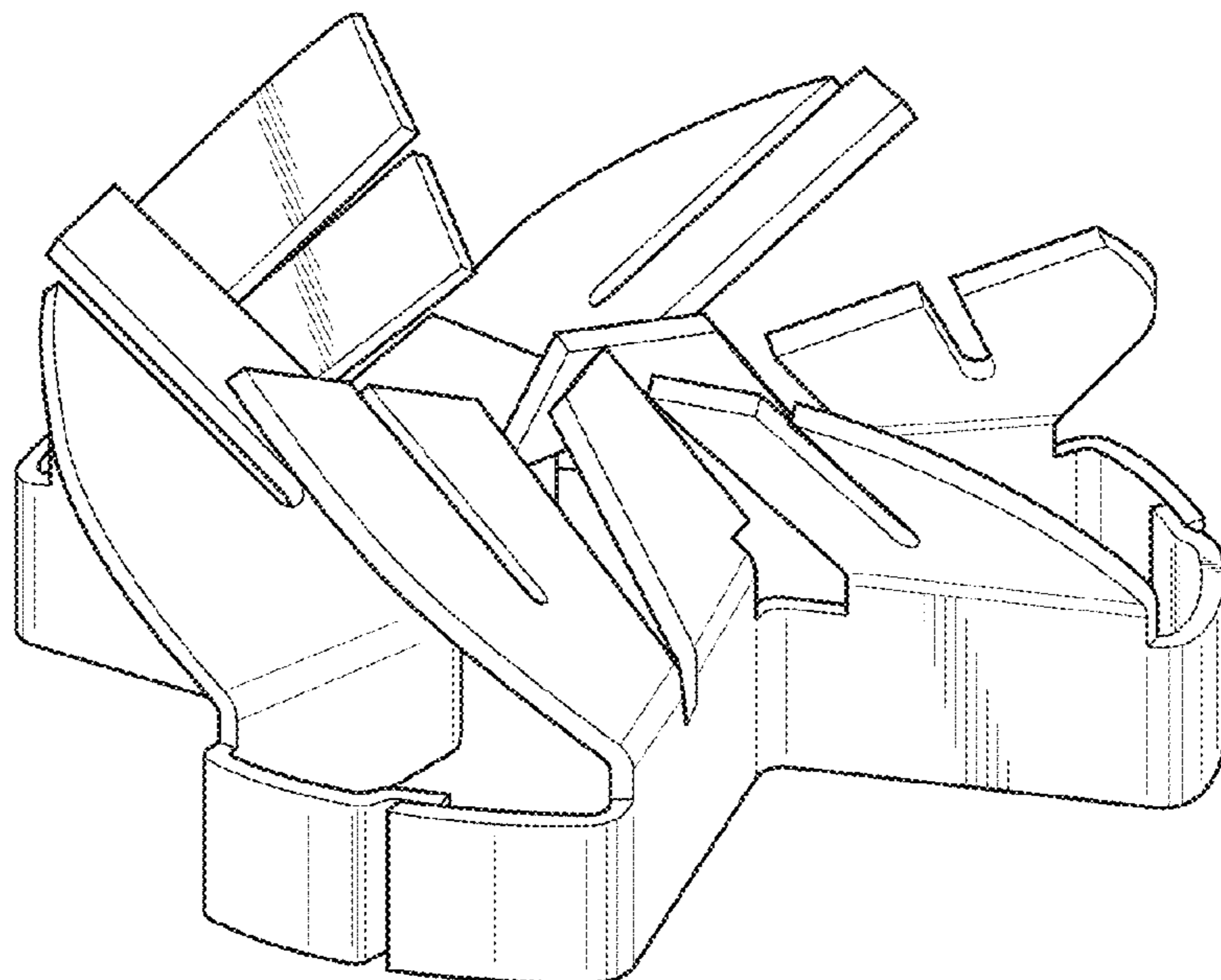
DE	102006058715	B3	1/2008
DE	102007012790	A1	9/2008

**OTHER PUBLICATIONS**

English language abstract and machine translation for DE 10 2006 058 715 B3 extracted from the espacenet.com database on Aug. 23, 2012, 13 pages.

(Continued)

**1 Claim, 6 Drawing Sheets**



(56)

**References Cited**

U.S. PATENT DOCUMENTS

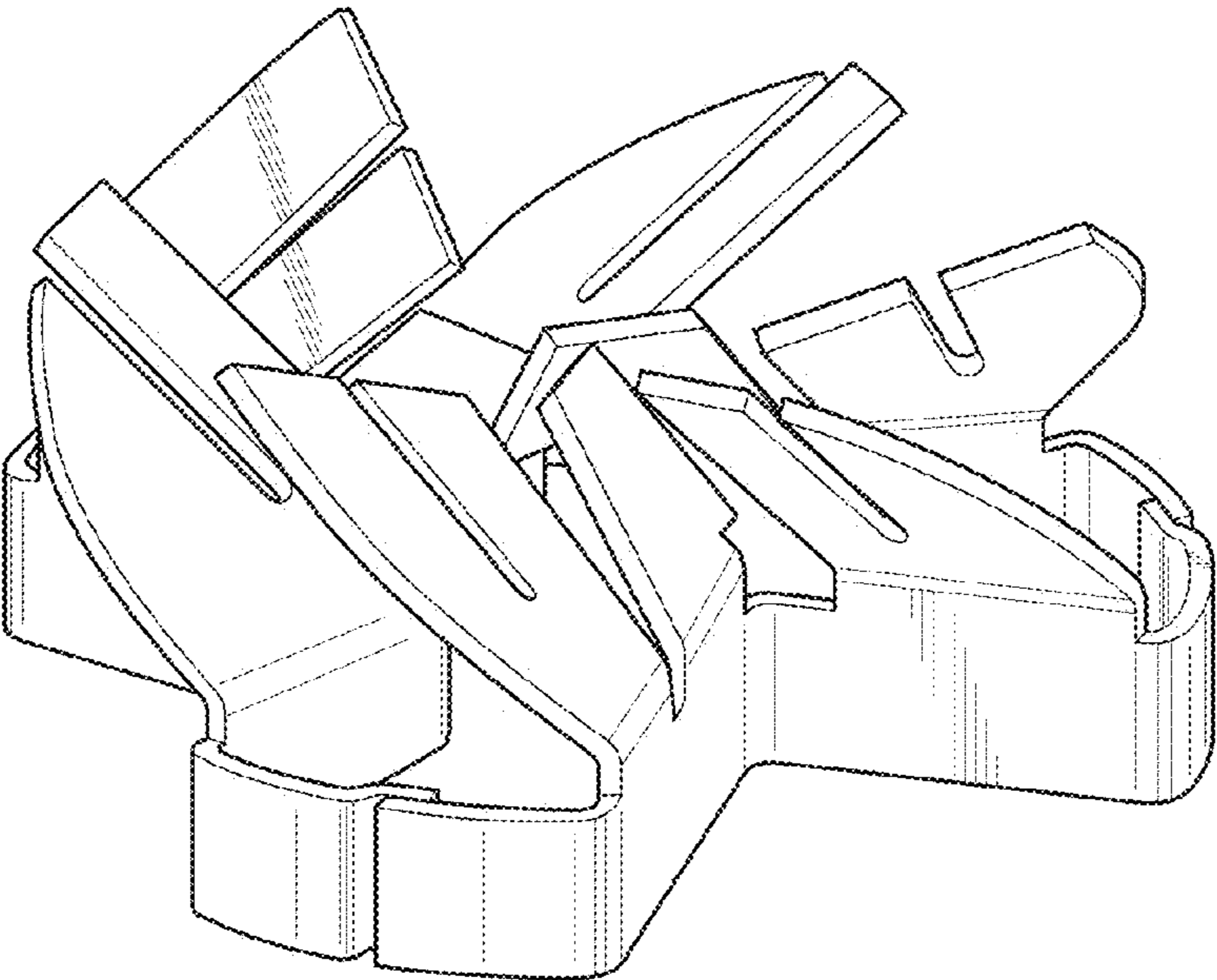
2009/0262599 A1 10/2009 Kohrs et al.  
2010/0083643 A1 4/2010 Hayashi et al.  
2010/0212301 A1\* 8/2010 De Rudder et al. .... 60/299  
2010/0218490 A1 9/2010 Forster et al.  
2010/0293931 A1 11/2010 Peters et al.  
2011/0113764 A1 5/2011 Salanta et al.

2011/0205837 A1 8/2011 Gentgen  
2012/0204541 A1\* 8/2012 Li et al. .... 60/274

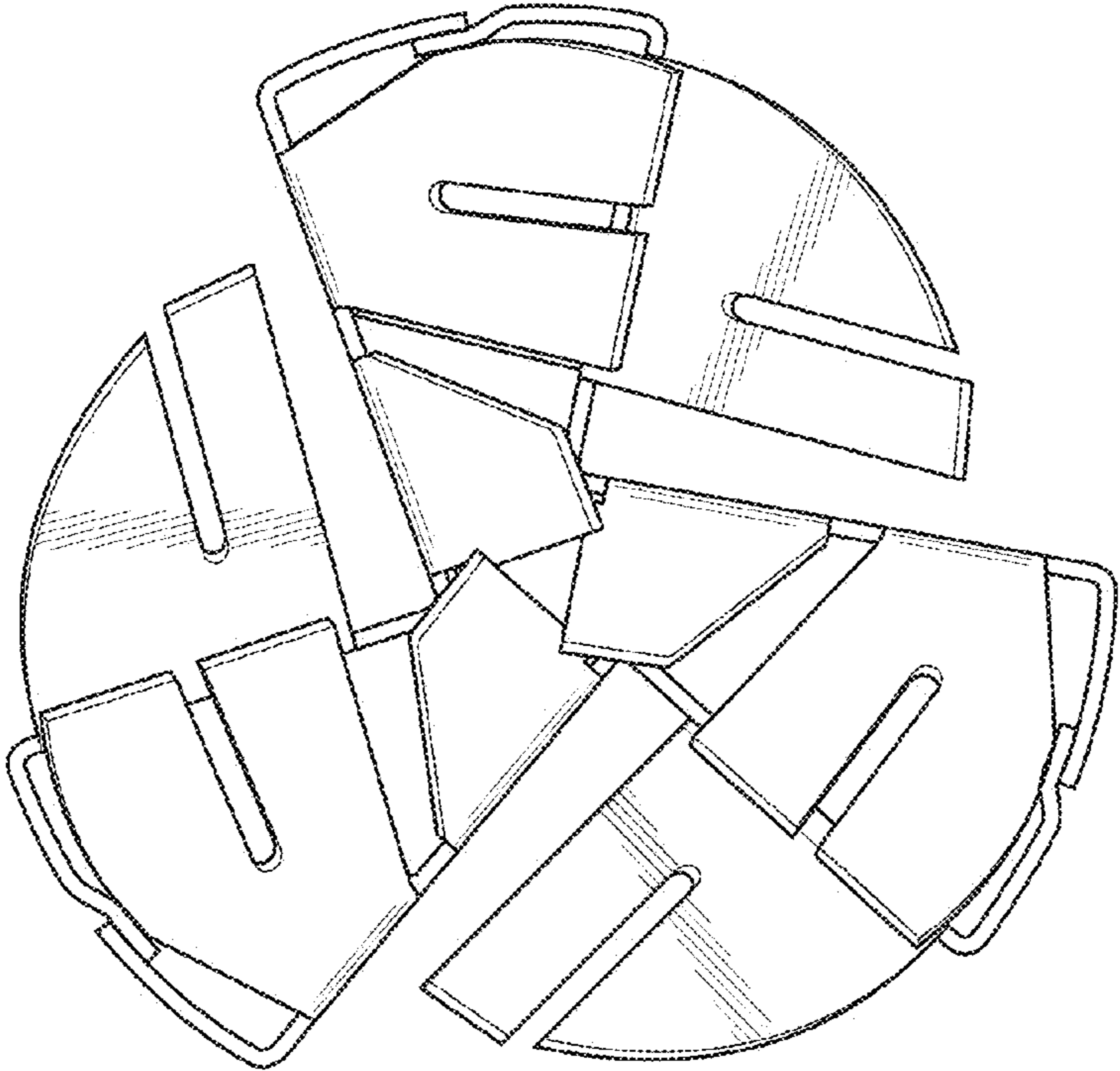
OTHER PUBLICATIONS

English language abstract and machine translation for DE 10 2007  
012 790 A1 extracted from the espacenet.com database on Aug. 23,  
2012, 14 pages.

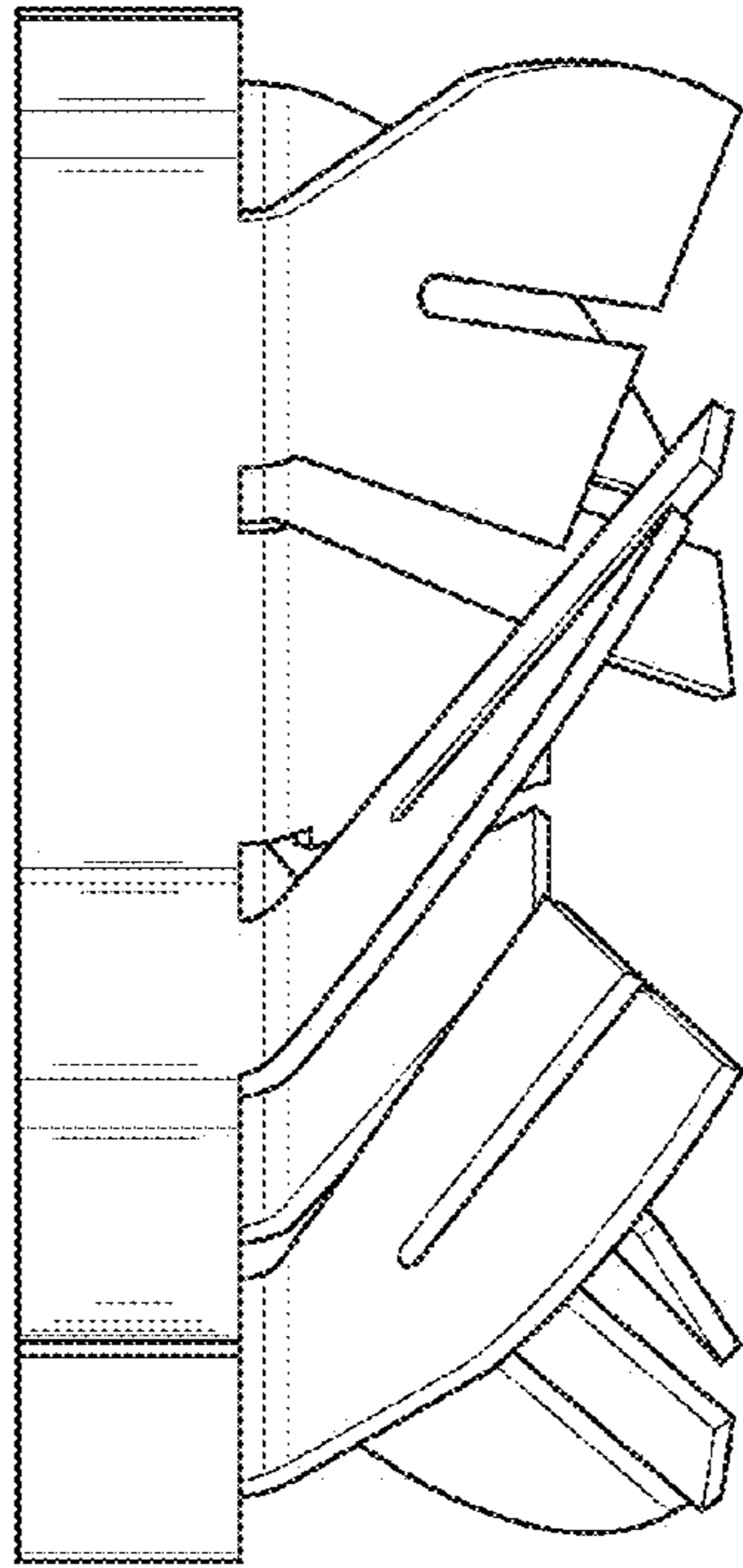
\* cited by examiner



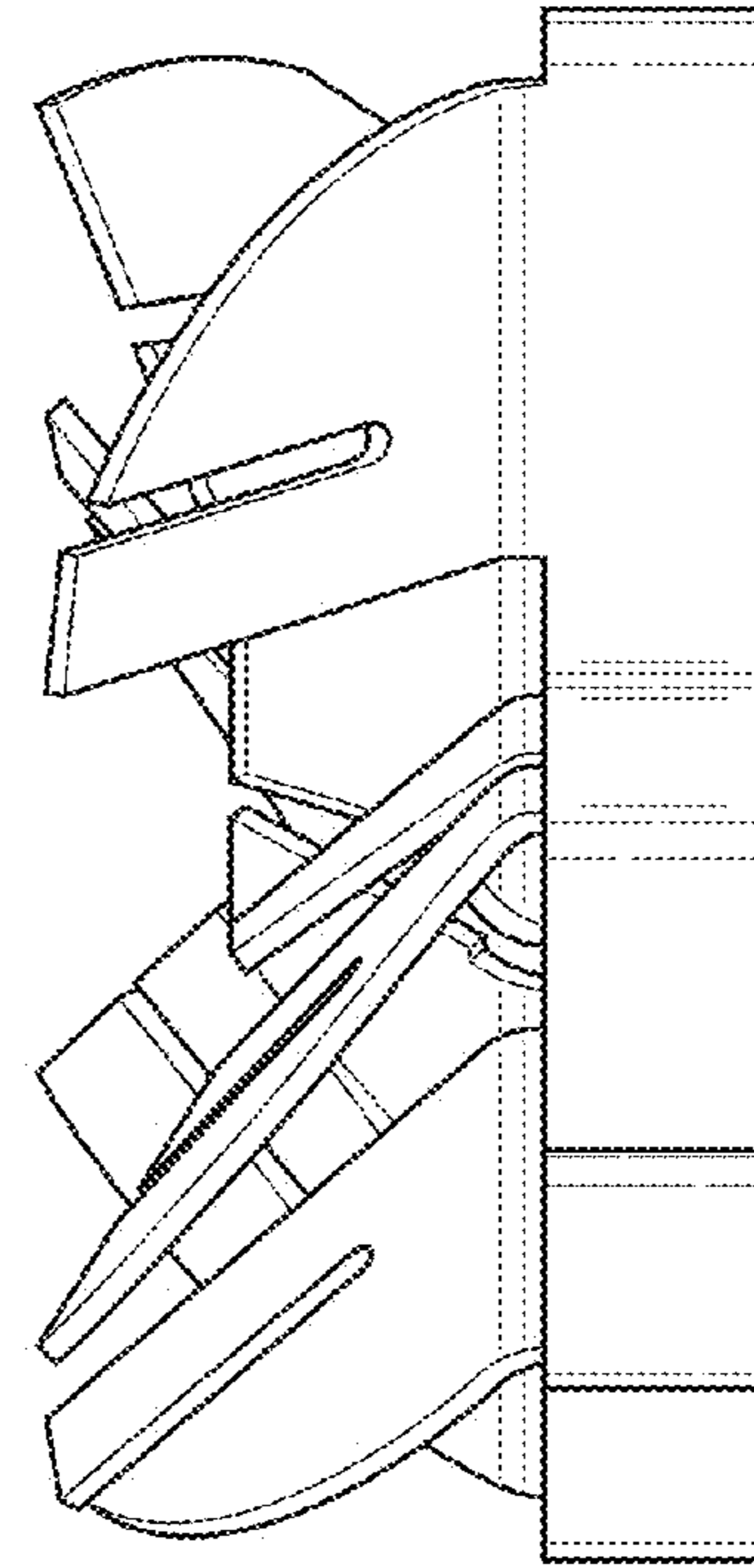
**FIG. 1**



**FIG. 2**

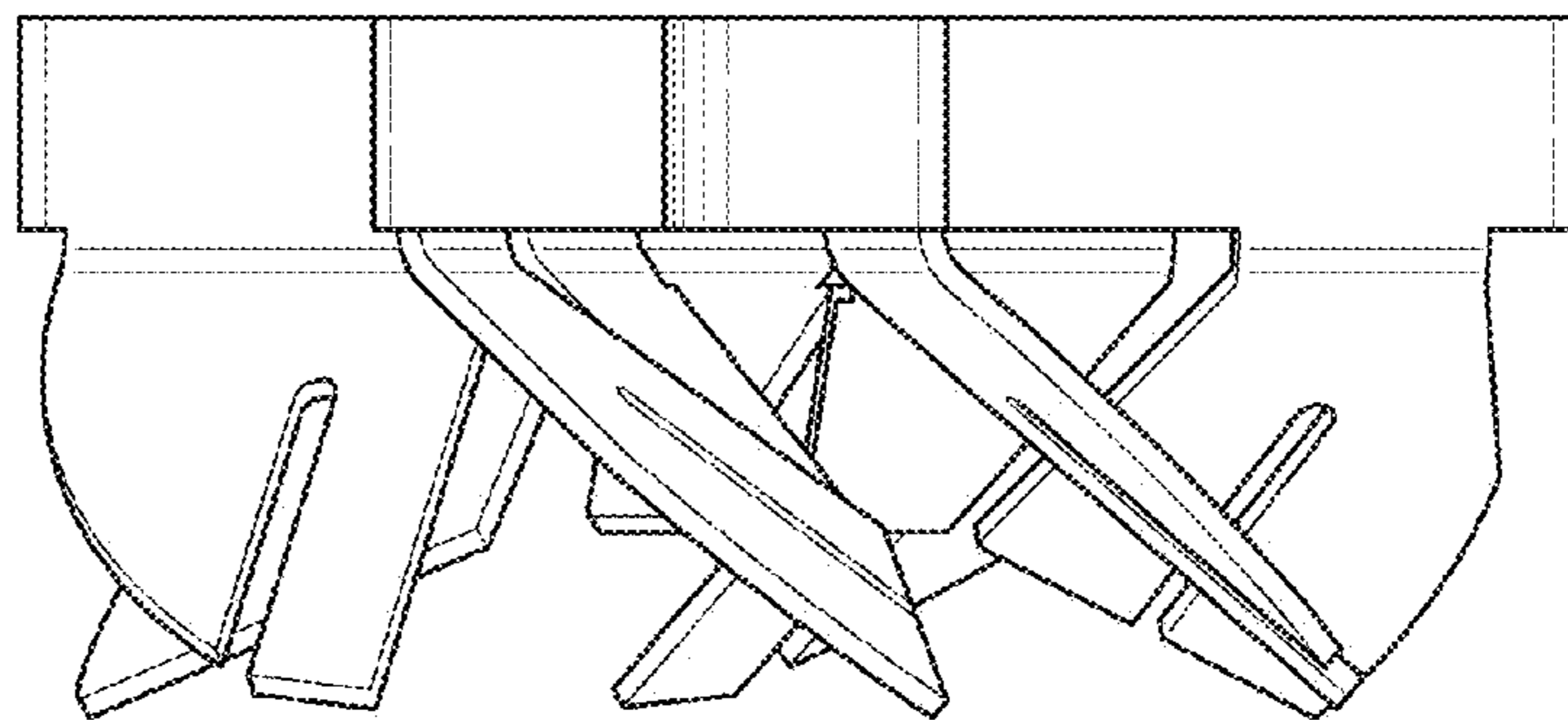


**FIG. 3**



**FIG. 4**

**FIG. 5**



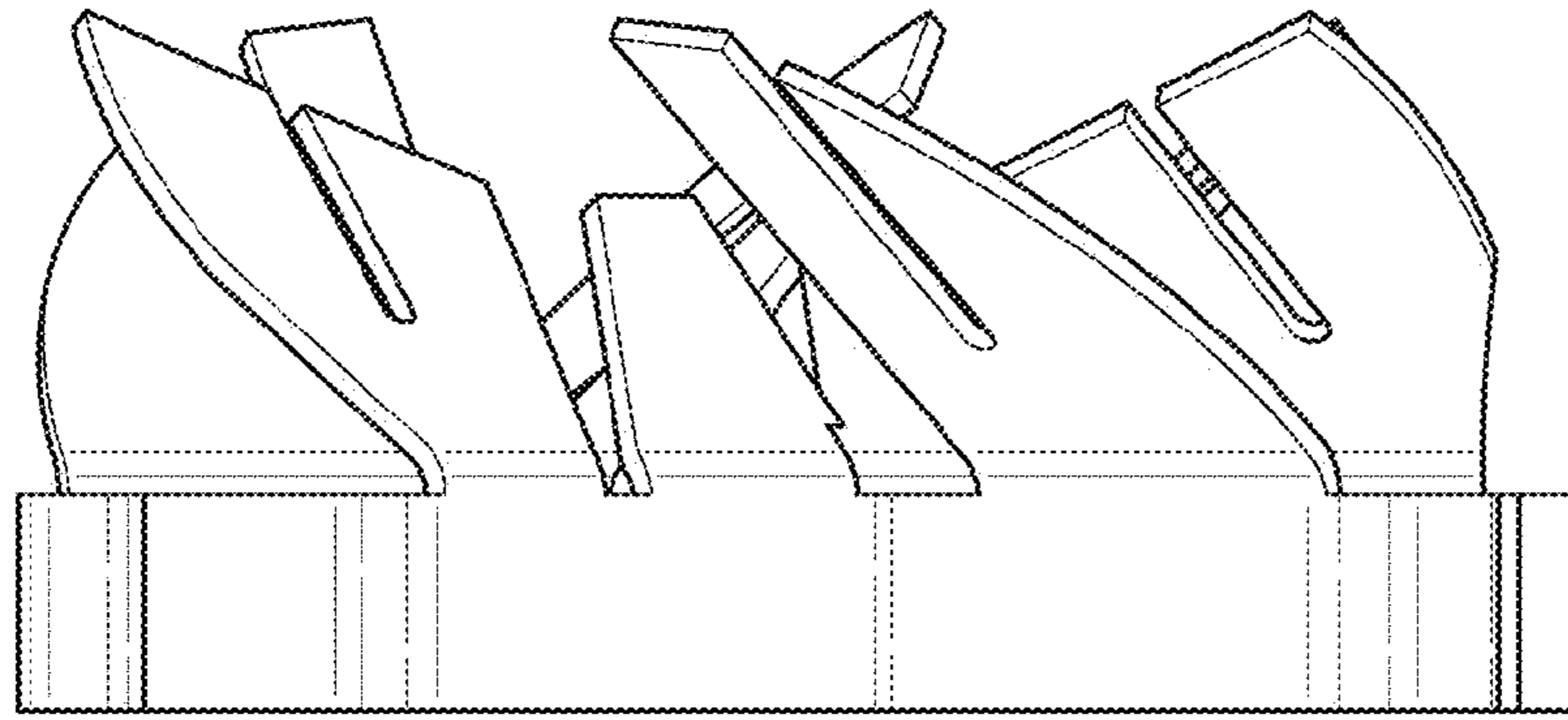


FIG. 6

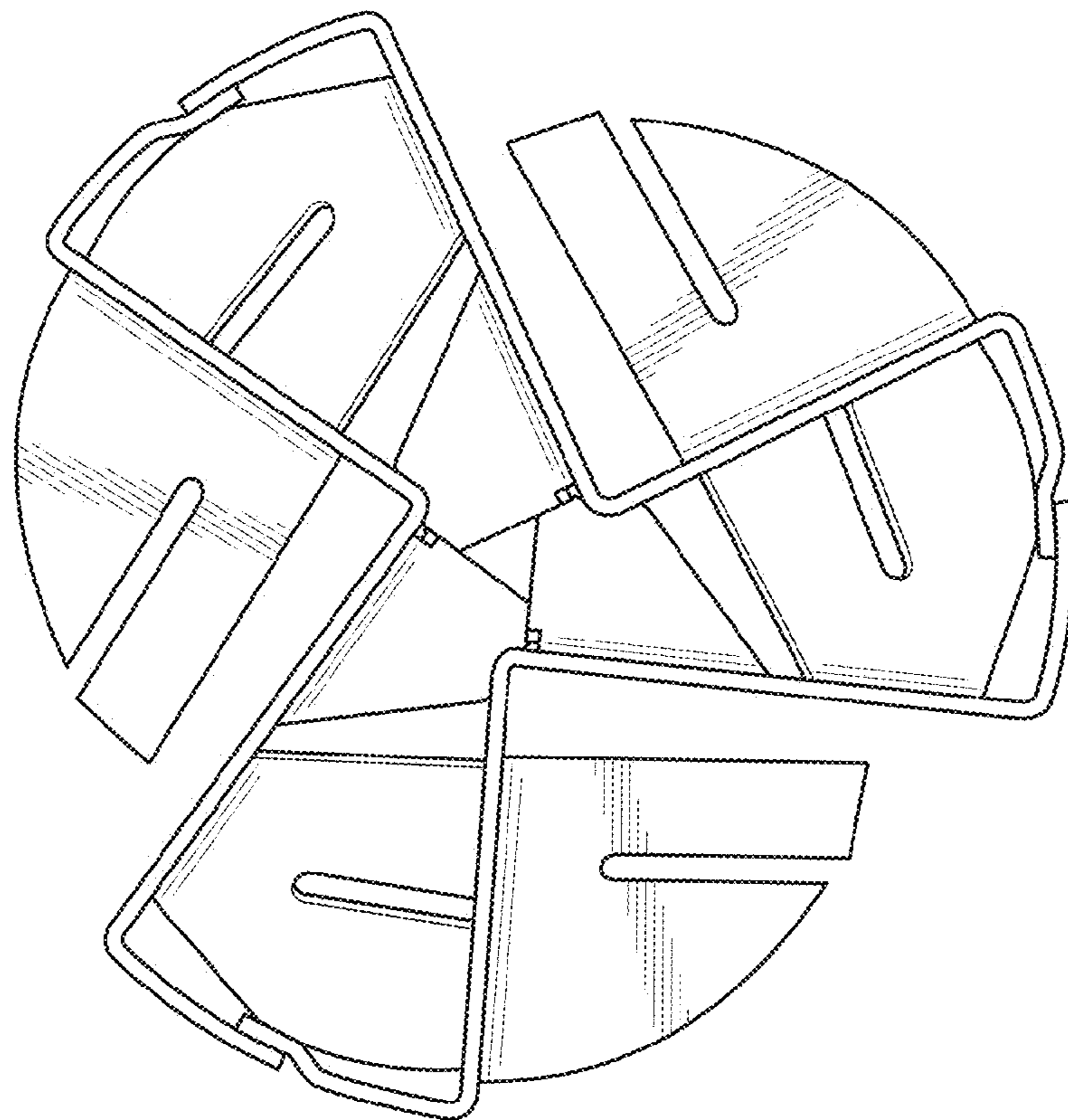
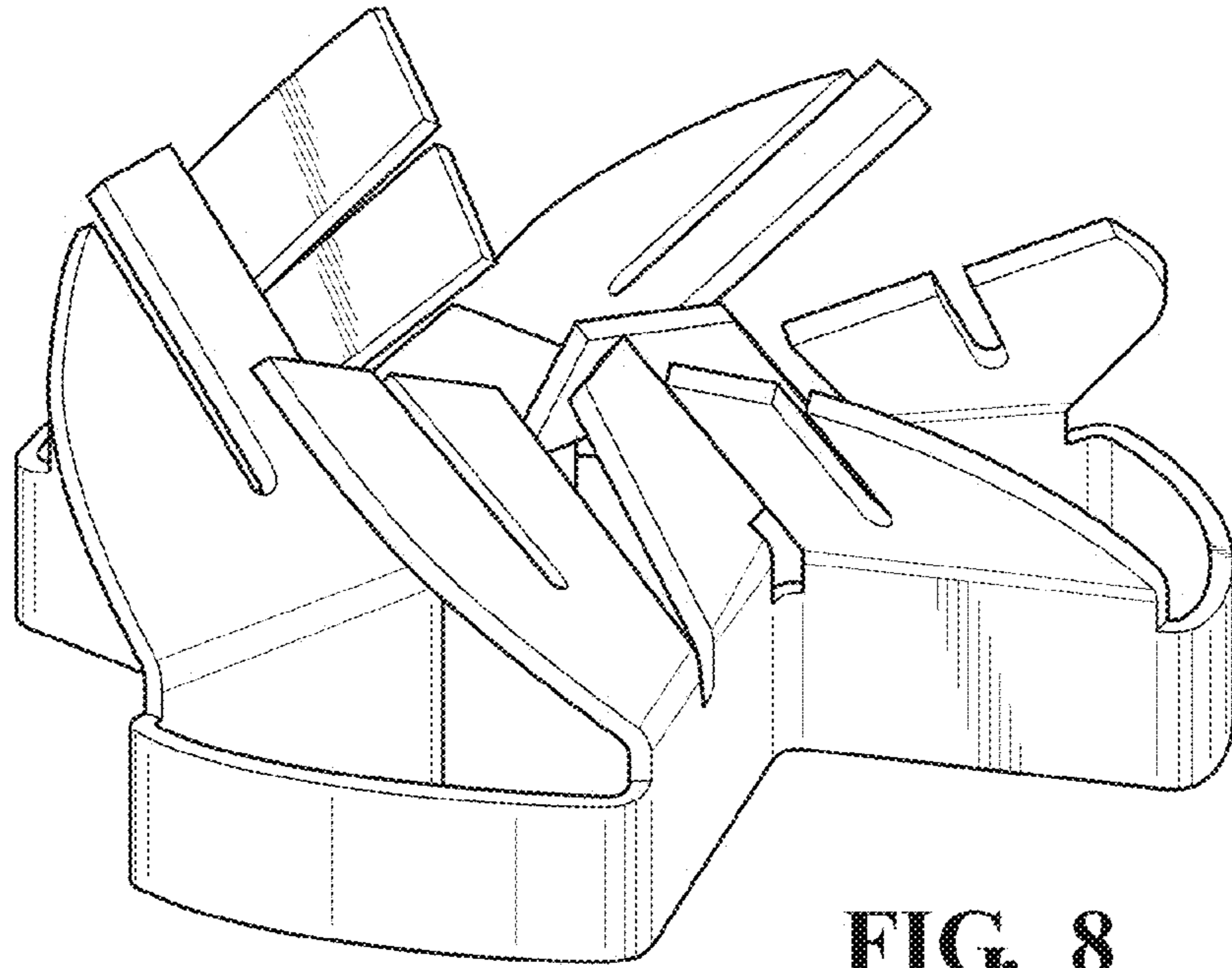
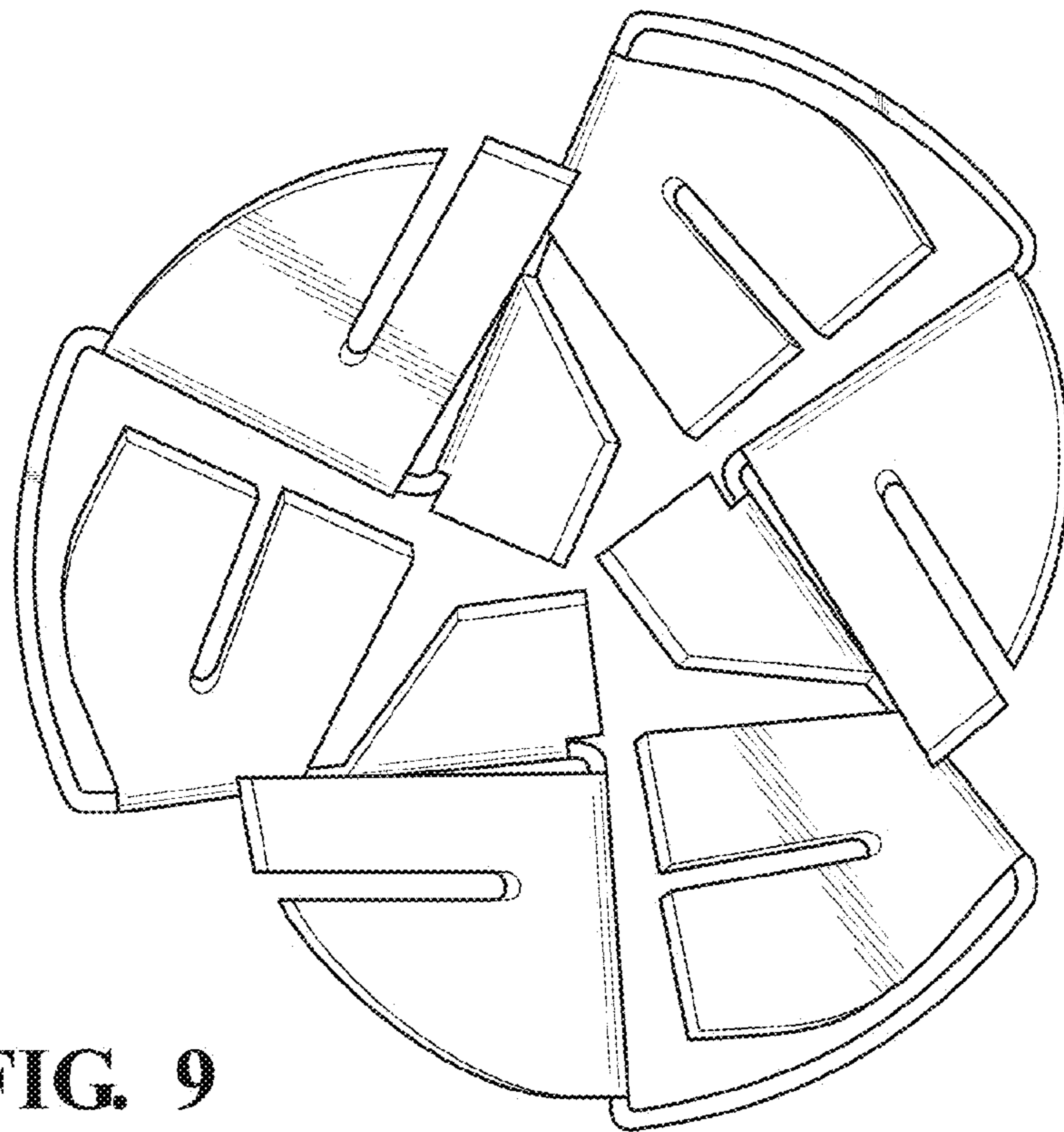


FIG. 7



**FIG. 8**



**FIG. 9**

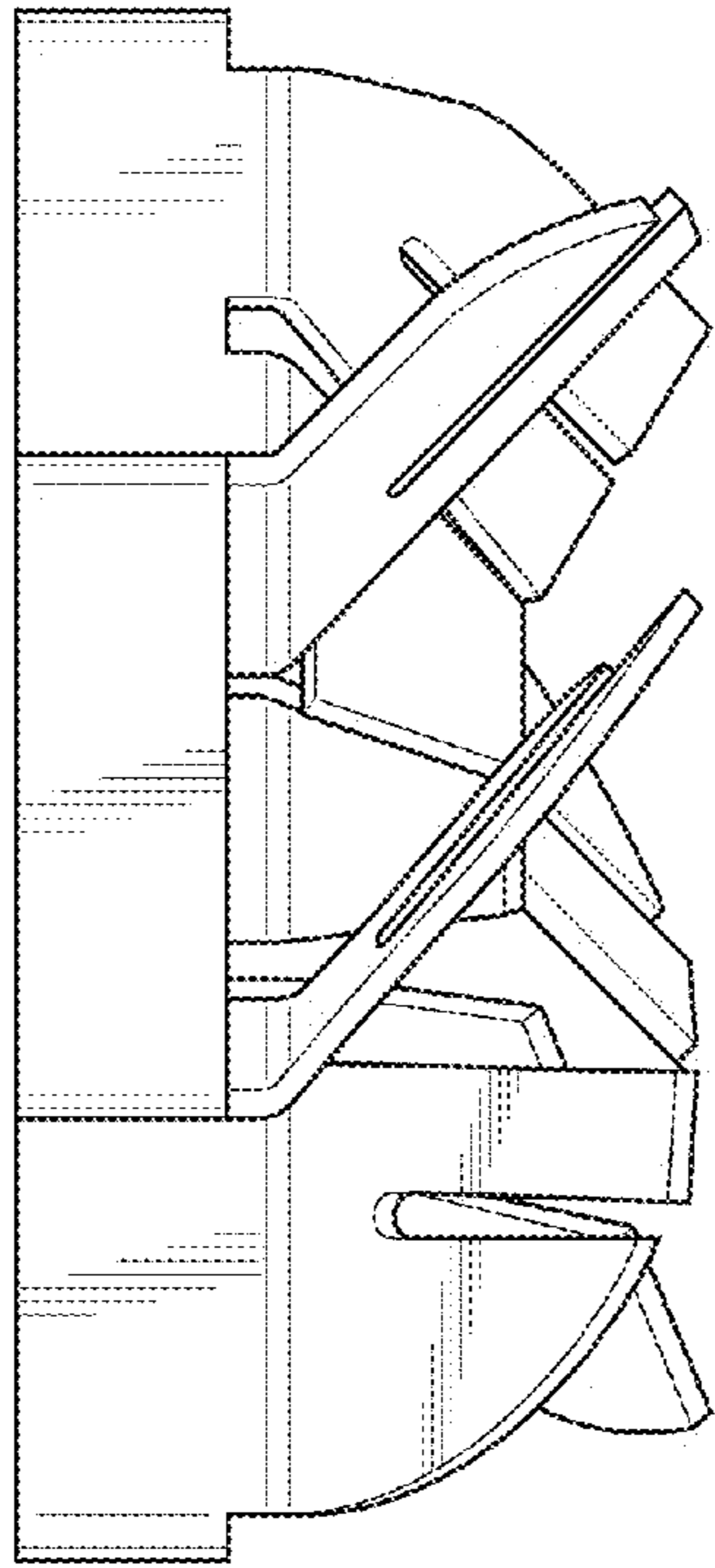


FIG. 10

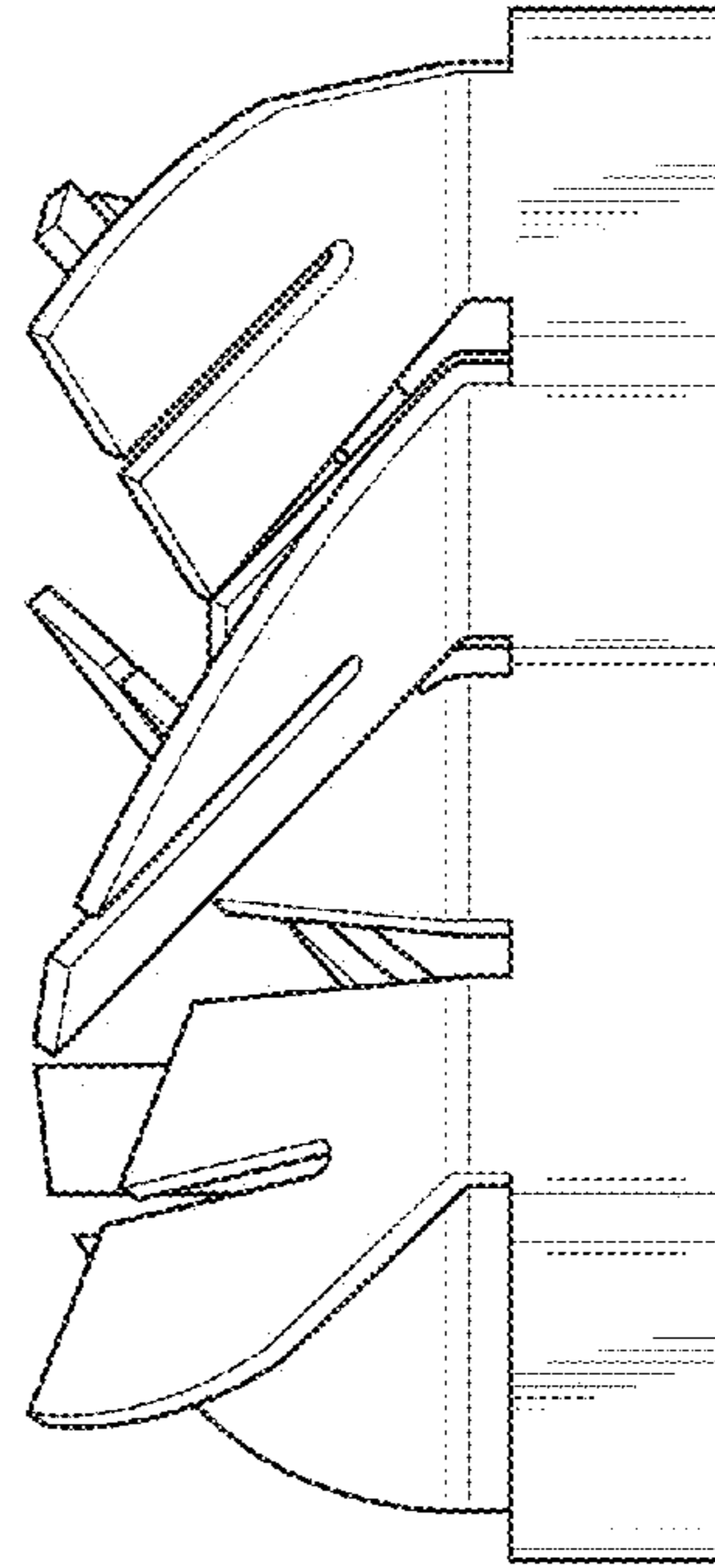
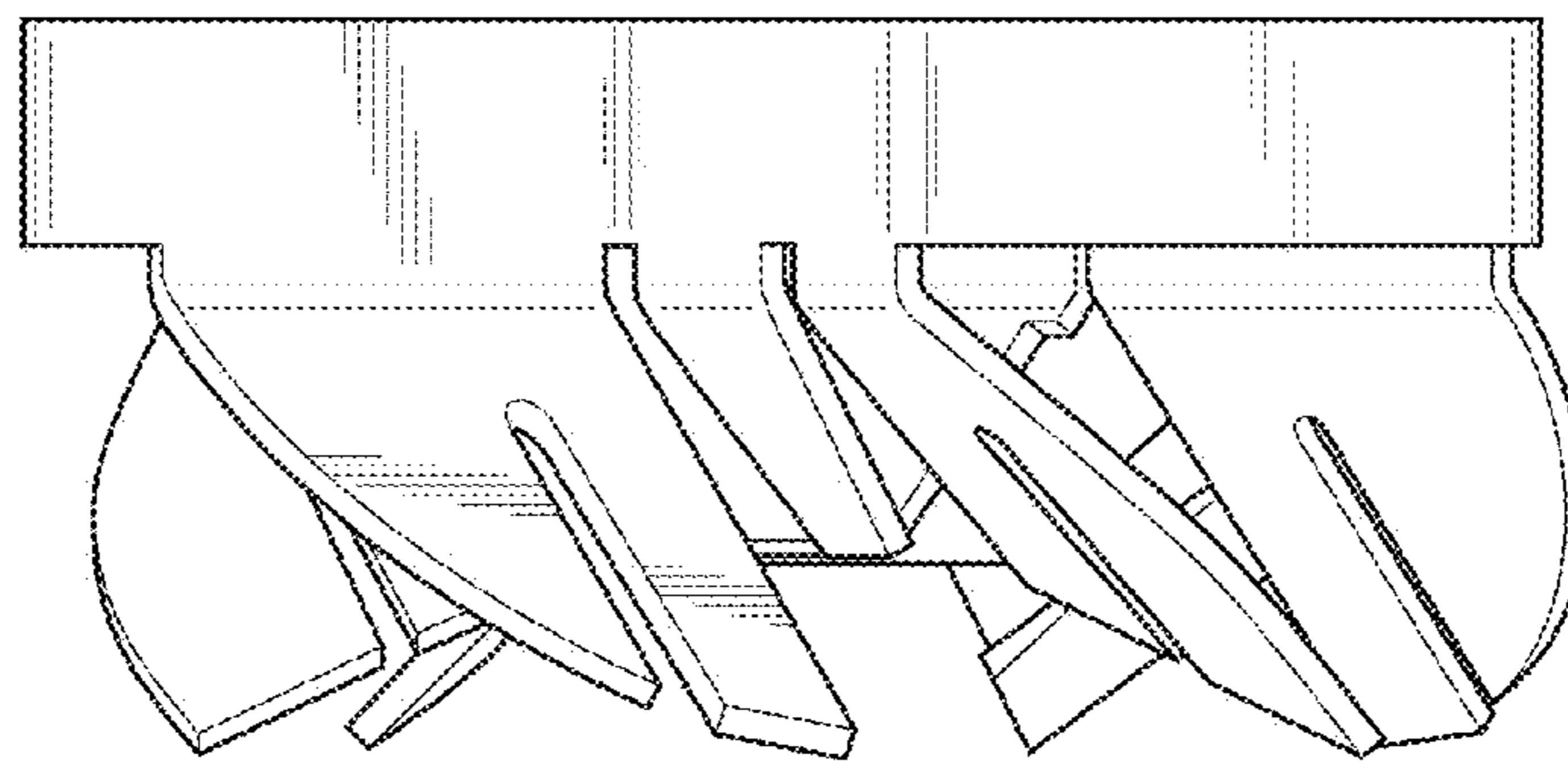
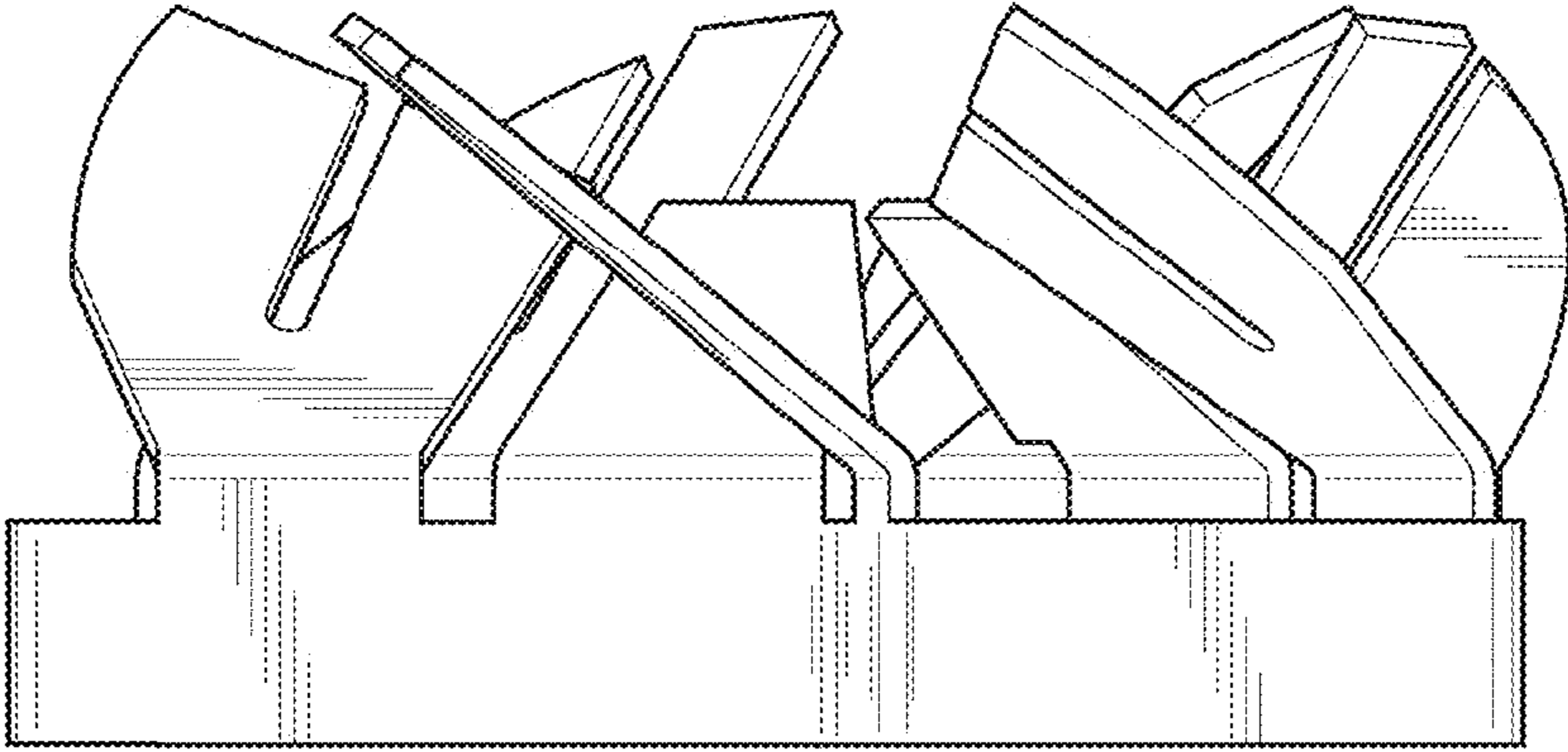


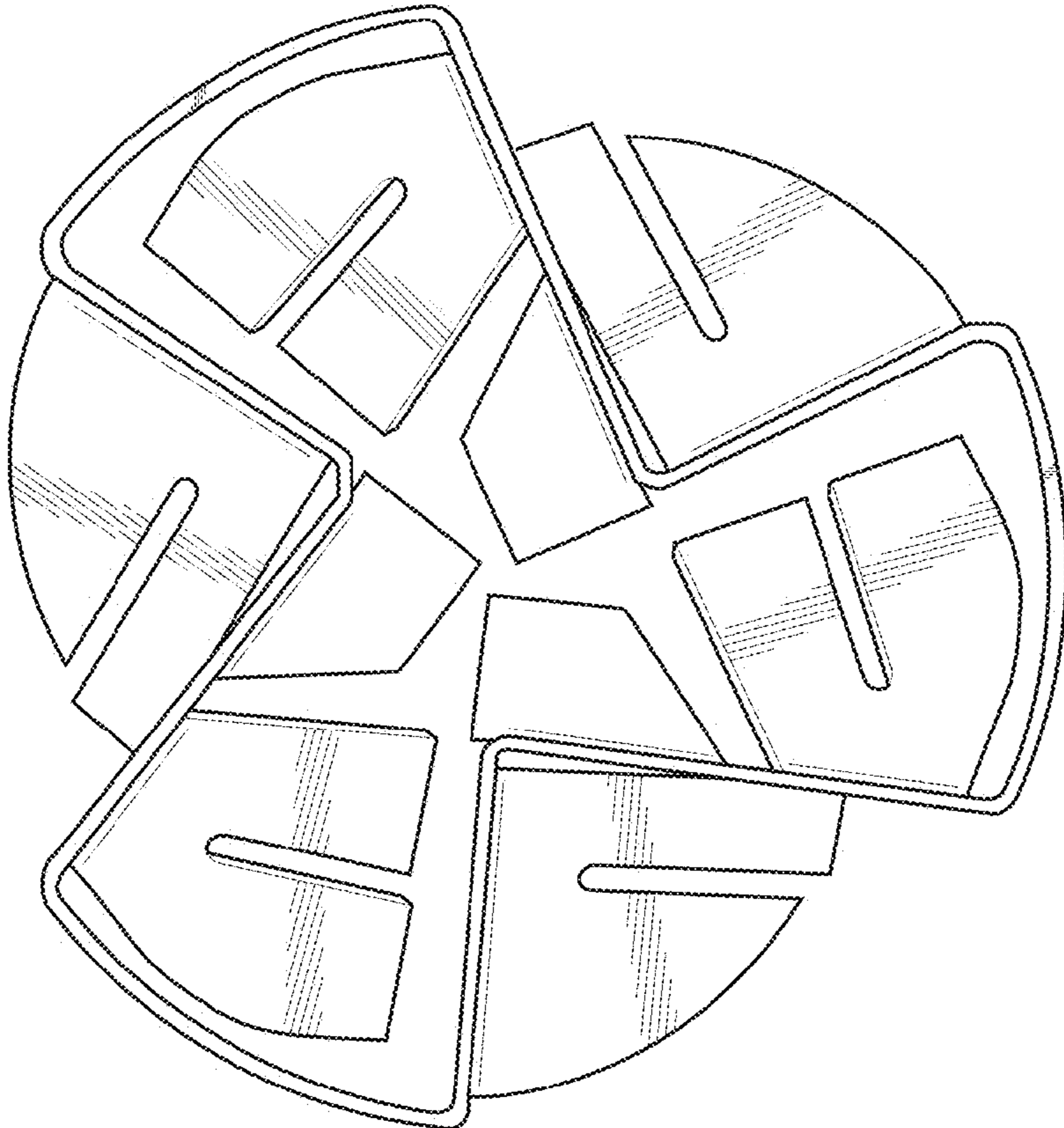
FIG. 11

FIG. 12





**FIG. 13**



**FIG. 14**