



US00D697921S

(12) **United States Design Patent**
Oh et al.

(10) **Patent No.:** **US D697,921 S**
(45) **Date of Patent:** **** Jan. 21, 2014**

(54) **STAND FOR PC**

(56) **References Cited**

(71) Applicant: **Samsung Electronics Co., Ltd.**,
Suwon-si (KR)

U.S. PATENT DOCUMENTS

(72) Inventors: **Se-Hun Oh**, Seoul (KR); **Woo-Teik Lim**, Seoul (KR)

D595,722 S *	7/2009	Miyawaki	D14/447
D631,008 S *	1/2011	Kuroda et al.	D13/108
D642,123 S *	7/2011	Joung	D13/108
D658,167 S *	4/2012	Buesseler et al.	D14/251
D671,543 S *	11/2012	Sogabe	D14/447
D671,949 S *	12/2012	Jeon et al.	D14/447
D672,357 S *	12/2012	Allen	D14/447
D676,450 S *	2/2013	Lye	D14/447
D681,040 S *	4/2013	Rossiter et al.	D14/434
D682,840 S *	5/2013	Tsai et al.	D14/447
D685,322 S *	7/2013	Szymanski et al.	D13/108
D685,381 S *	7/2013	Symons	D14/447
D685,797 S *	7/2013	Fahrendorff et al.	D14/434

(73) Assignee: **Samsung Electronics Co., Ltd.** (KR)

(**) Term: **14 Years**

(21) Appl. No.: **29/459,806**

(22) Filed: **Jul. 3, 2013**

* cited by examiner

(30) **Foreign Application Priority Data**

Primary Examiner — Angela J Lee

Jan. 3, 2013 (KR) 30-2013-0000308

(74) *Attorney, Agent, or Firm* — Cantor Colburn LLP

(51) **LOC (10) Cl.** **08-07**

(57) **CLAIM**

We claim, the ornamental design for a stand for PC, as shown and described.

(52) **U.S. Cl.**

DESCRIPTION

USPC **D14/447**

(58) **Field of Classification Search**

USPC D14/447, 432, 434, 439, 448, 451, 452,
D14/457, 239, 250, 251, 253, 238.1, 440,
D14/205, 223, 224, 224.1, 229; D13/108;
D6/406.1, 406.2, 406.3, 406.4, 406.5,
D6/406.6, 601; 248/917-924, 363, 445,
248/447, 451, 455, 456, 460, 371, 166, 434,
248/188.6; 361/726, 679.02, 679.09,
361/679.21, 679.22, 679.26, 679.27,
361/679.29, 679.3, 679.55, 679.56;
D21/333

FIG.1 is a front perspective view of a stand for PC showing our new design;
FIG. 2 is a front view of thereof;
FIG. 3 is a rear view of thereof;
FIG. 4 is a left side view of thereof;
FIG. 5 is a right side view of thereof;
FIG. 6 is a top plan view of thereof;
FIG. 7 is a bottom plan view of thereof; and,
FIG. 8 is an additional front perspective view showing the stand fitted with a PC.

The broken lines illustrating portions of the stand for PC are for environmental purpose only and form no part of the claimed design.

See application file for complete search history.

1 Claim, 8 Drawing Sheets

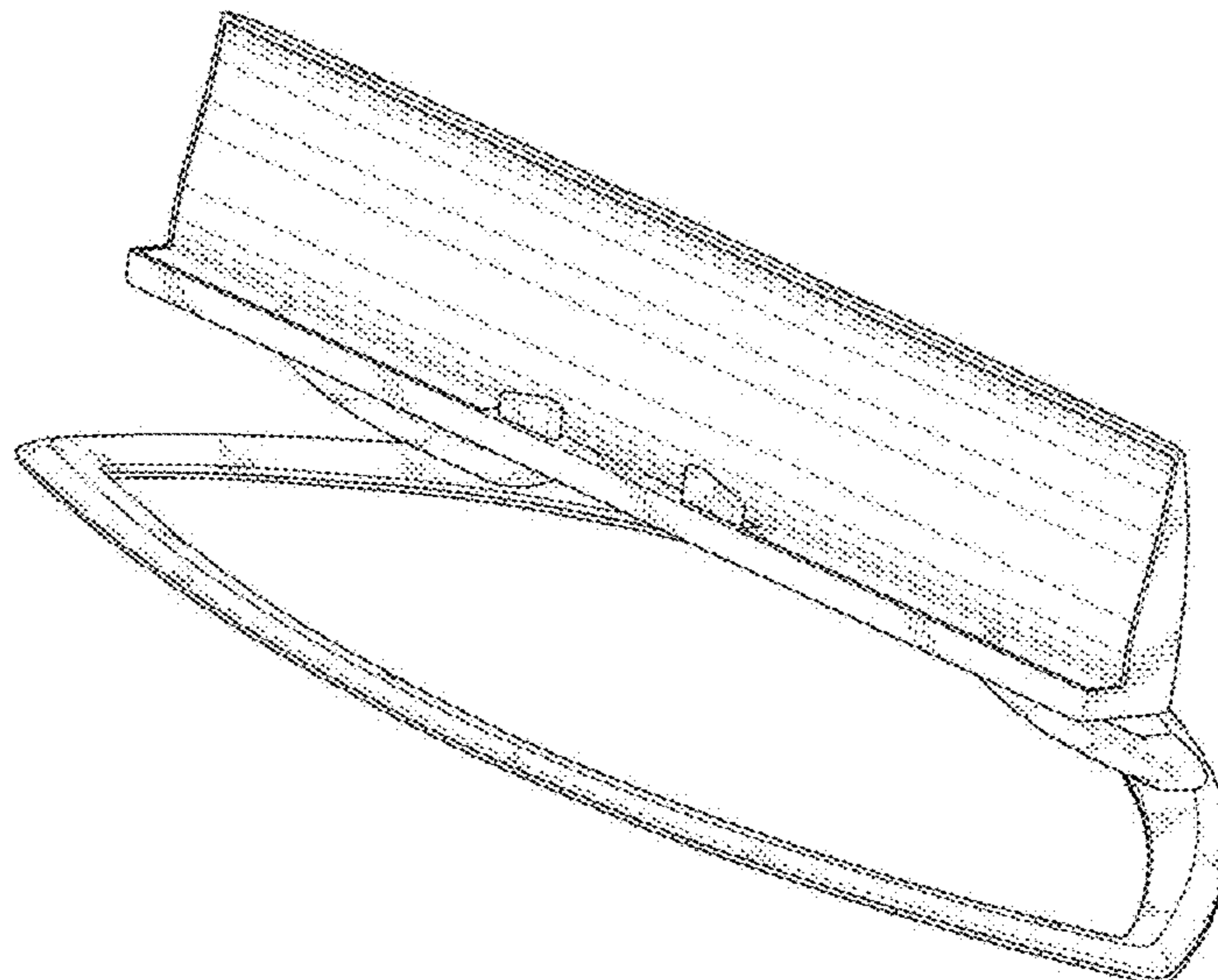


FIG. 1

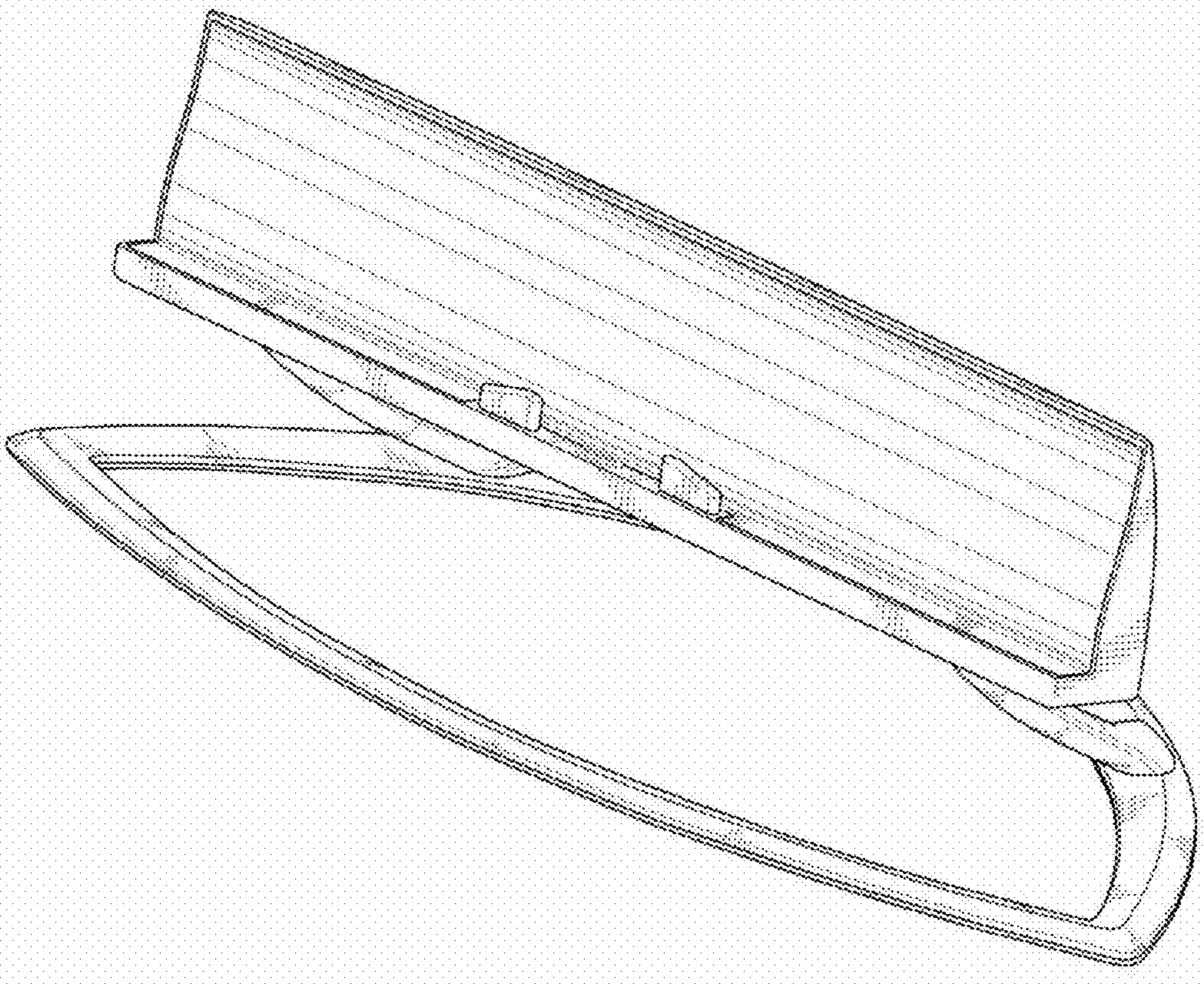


FIG. 2

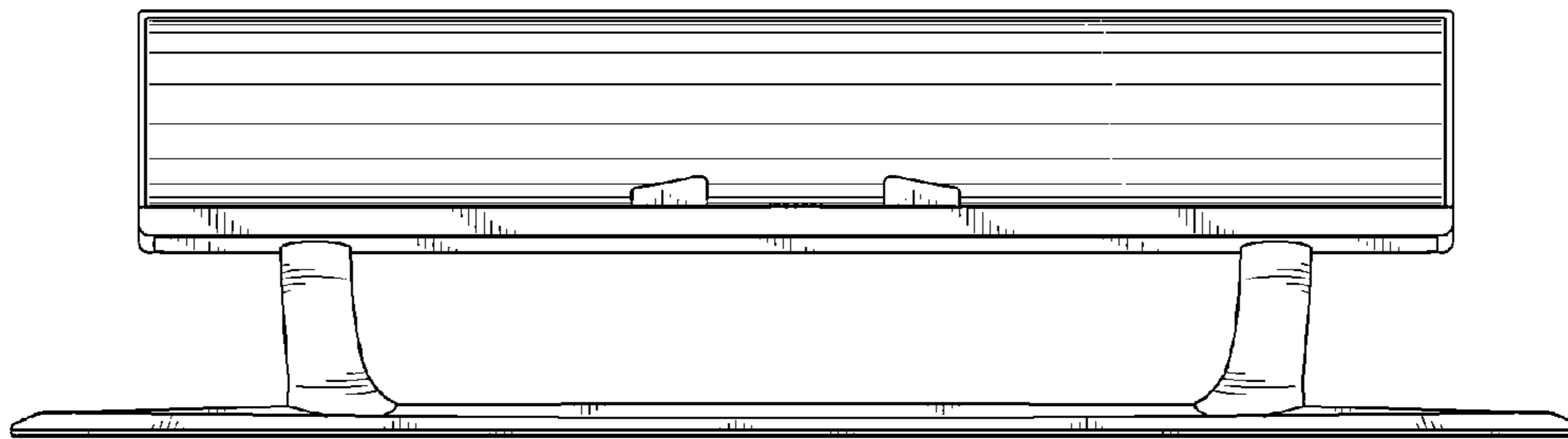


FIG. 3

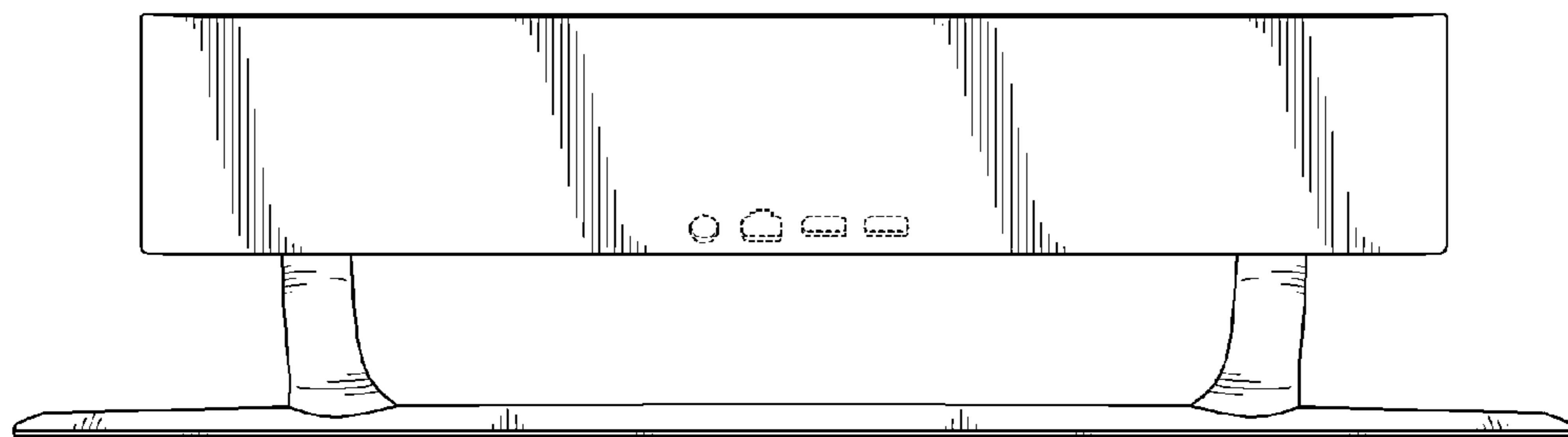


FIG. 4

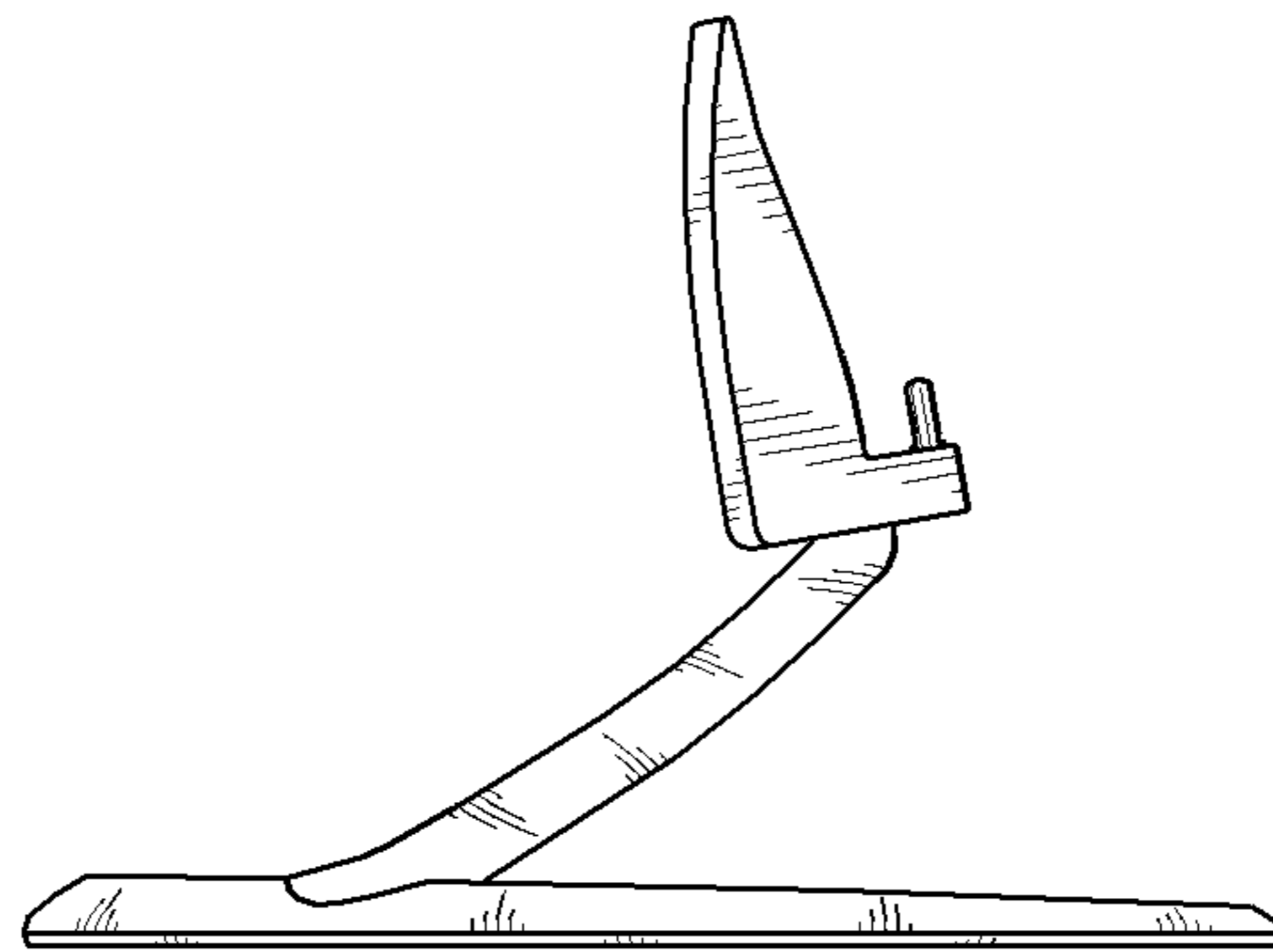


FIG. 5

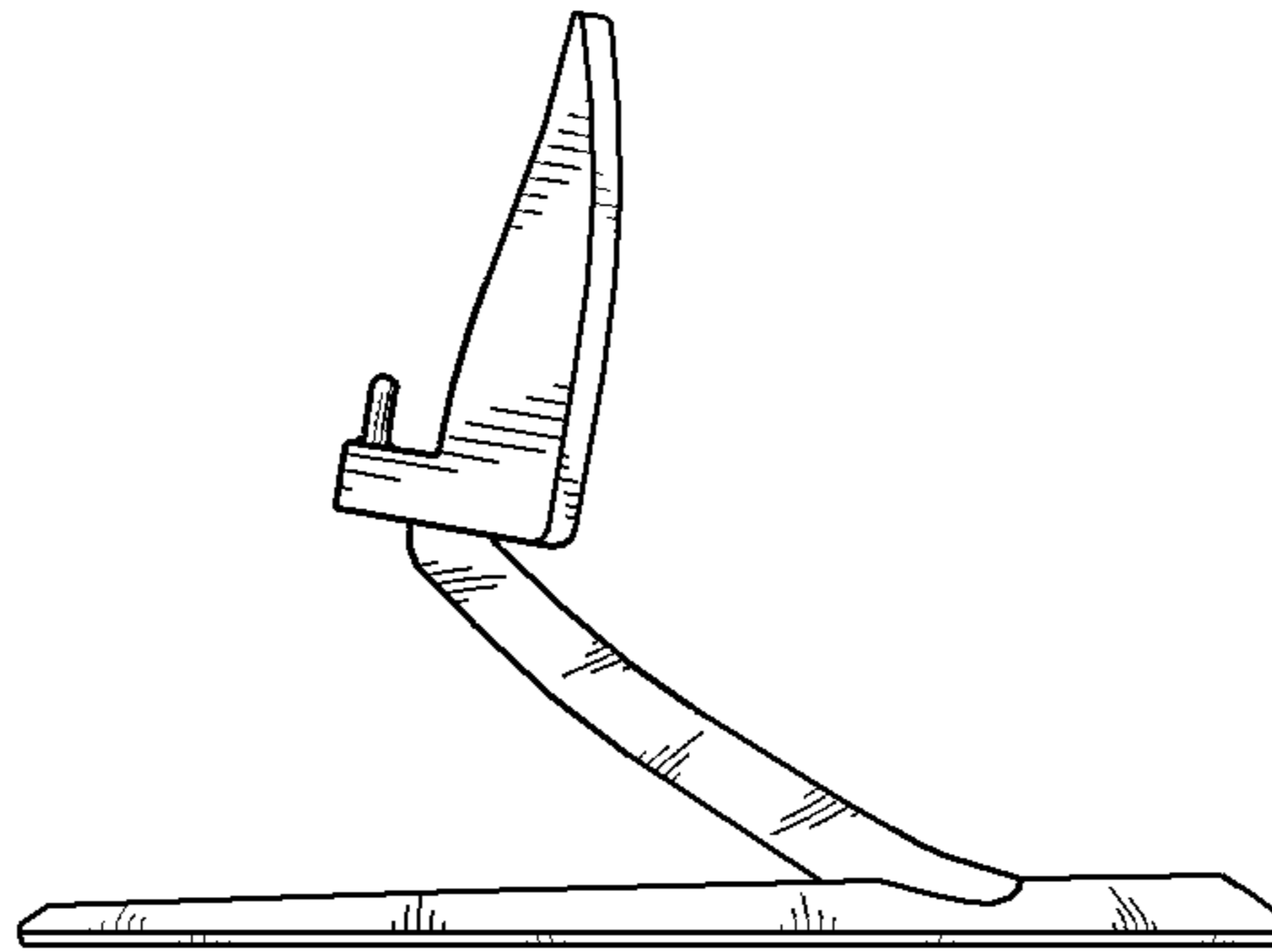


FIG. 6

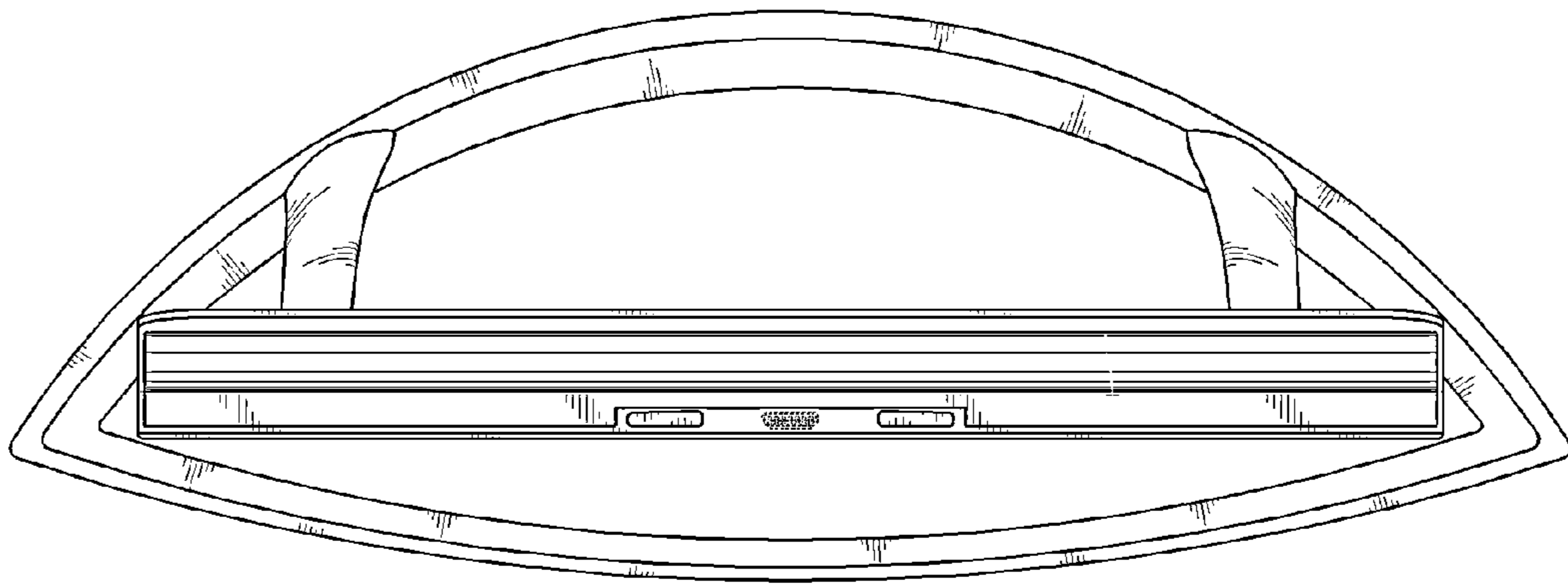


FIG. 7

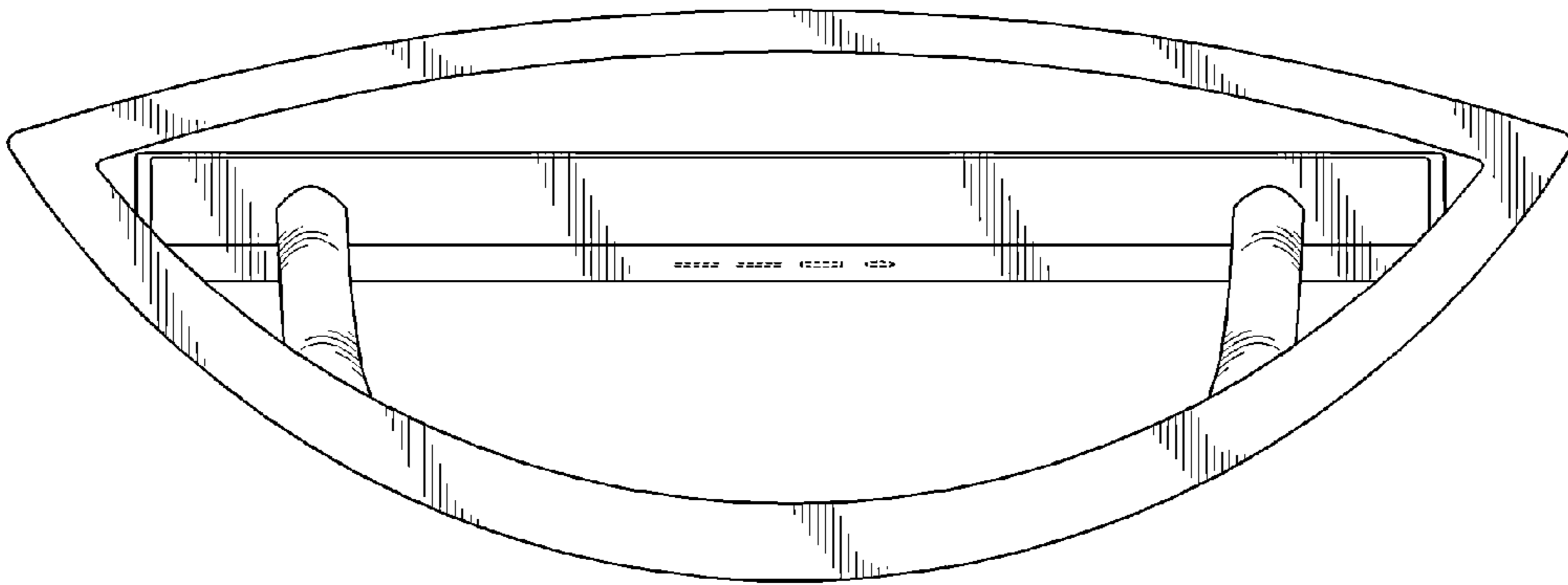


FIG. 8

