



US00D697919S

(12) **United States Design Patent**
Gelsomini et al.

(10) **Patent No.:** **US D697,919 S**
(45) **Date of Patent:** **** Jan. 21, 2014**

(54) **TABLET STAND WITH BALL JOINT**

(71) Applicant: **Dundee Precious Metals Inc.**, Toronto (CA)

(72) Inventors: **Mark Gelsomini**, Richmond Hill (CA);
Richard Coulson, Markham (CA)

(73) Assignee: **Dundee Precious Metals Inc.**, Toronto (CA)

(**) Term: **14 Years**

(21) Appl. No.: **29/437,975**

(22) Filed: **Nov. 22, 2012**

(51) **LOC (10) Cl.** **08-07**

(52) **U.S. Cl.**
USPC **D14/447**

(58) **Field of Classification Search**
USPC D14/447, 432, 433, 439, 440, 451, 452,
D14/239, 217, 224.1, 251, 252, 253, 457,
D14/458, 459, 460, 461, 434, 205, 209.1,
D14/223; D6/406.1, 406.2, 406.3, 406.4,
D6/406.5, 406.6; D12/415; 361/679.09,
361/679.21, 679.22, 679.24, 679.26,
361/679.27, 679.28, 679.3, 679.55, 679.56,
361/709; 248/917-924, 133, 136, 139, 150,
248/176.1, 188.6; D13/108, 110; D8/363;
D21/333

See application file for complete search history.

(56) **References Cited**

U.S. PATENT DOCUMENTS

D309,307 S * 7/1990 Sigurdson D14/251
D356,074 S * 3/1995 Coblenz et al. D14/457

(Continued)

Primary Examiner — Angela J Lee

(74) *Attorney, Agent, or Firm* — Gowling Lafleur Henderson LLP

(57) **CLAIM**

The ornamental design for a tablet stand with ball joint, as shown and described.

DESCRIPTION

FIG. 1 is an isometric front view of a tablet stand with ball joint showing the new design;

FIG. 2 is a front view of the design of FIG. 1;

FIG. 3 is a right side view of the design of FIG. 1;

FIG. 4 is a left side view of the design of FIG. 1;

FIG. 5 is a top view of the design of FIG. 1;

FIG. 6 is a bottom view of the design of FIG. 1;

FIG. 7 is a back view of the design of FIG. 1;

FIG. 8 is an isometric back view of the design of FIG. 1;

FIG. 9 is an isometric front view of the design of FIG. 1 showing a tablet as additional environment;

FIG. 10 is an isometric front view of a tablet stand with ball joint showing a first alternative embodiment of the new design;

FIG. 11 is a front view of the design of FIG. 10;

FIG. 12 is a right side view of the design of FIG. 10;

FIG. 13 is a left side view of the design of FIG. 10;

FIG. 14 is a top view of the design of FIG. 10;

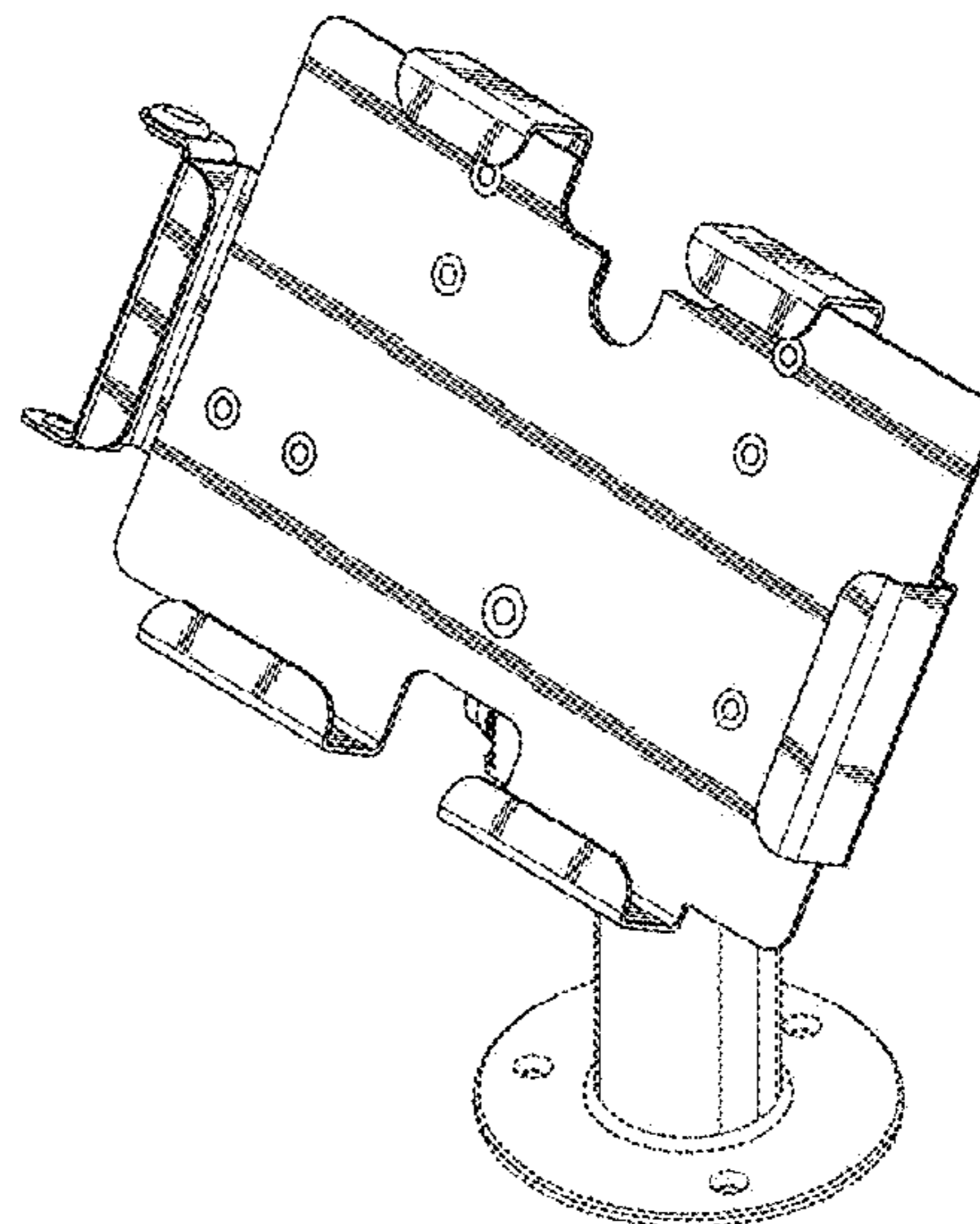
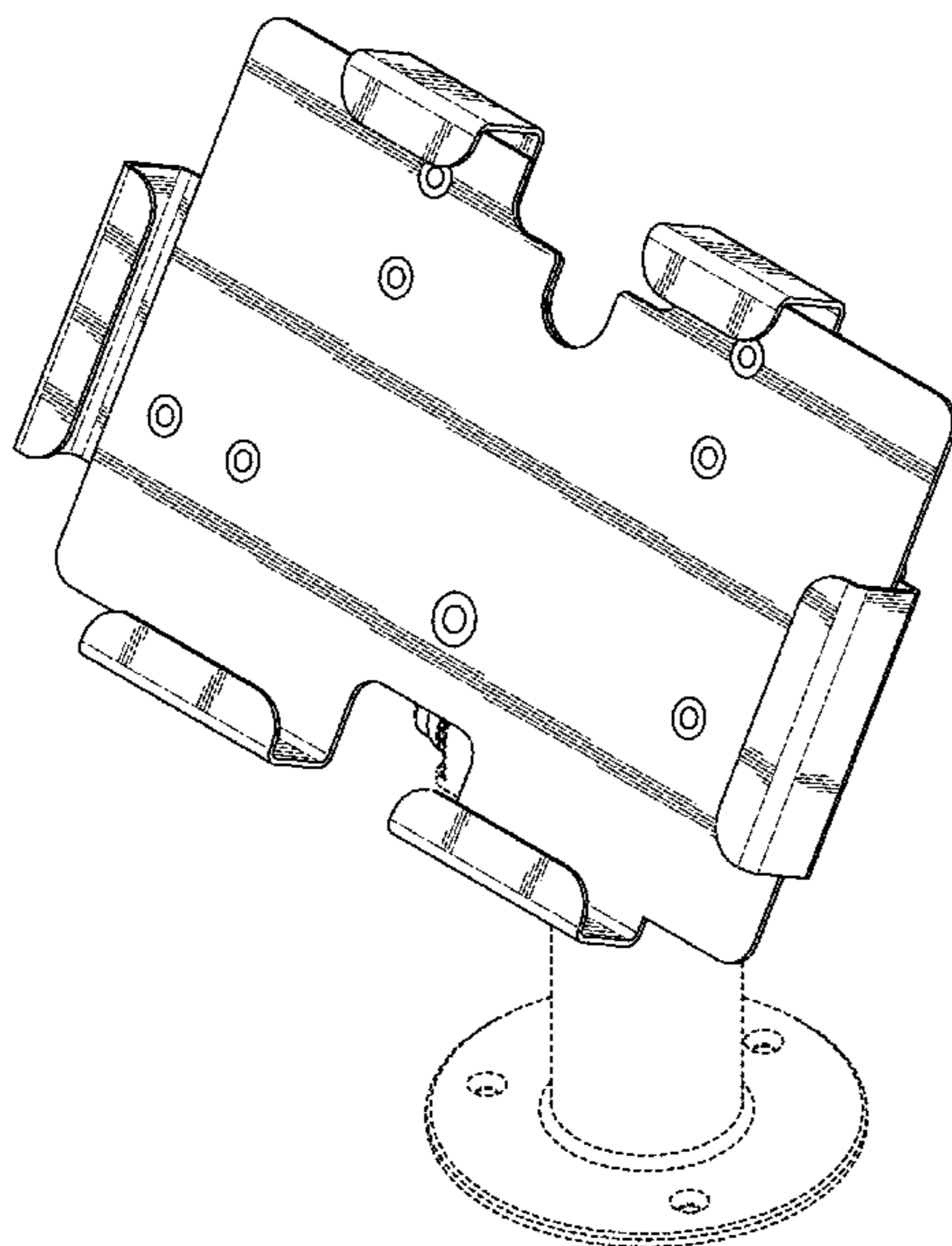
FIG. 15 is a bottom view of the design of FIG. 10;

FIG. 16 is a back view of the design of FIG. 10; and,

FIG. 17 is an isometric back view of the design of FIG. 10.

The broken lines showing selected portions of the tablet stand with ball joint and the tablet in FIG. 9, is for environmental purposes only and forms no part of the claimed design.

1 Claim, 17 Drawing Sheets



(56)

References Cited

U.S. PATENT DOCUMENTS

D549,709 S *	8/2007	Richter	D14/447	D646,315 S *	10/2011	Orf	D16/242
D603,322 S *	11/2009	Nicieja	D12/415	D650,372 S *	12/2011	Molter	D14/239
D614,613 S *	4/2010	Kim et al.	D14/253	D650,774 S *	12/2011	Molter	D14/239
D629,405 S *	12/2010	Crysell	D14/447	8,240,628 B2 *	8/2012	Huang	248/316.1
				D669,481 S *	10/2012	Prescott et al.	D14/447
				D671,110 S *	11/2012	Choi	D14/253
				D684,980 S *	6/2013	Chun	D14/447

* cited by examiner

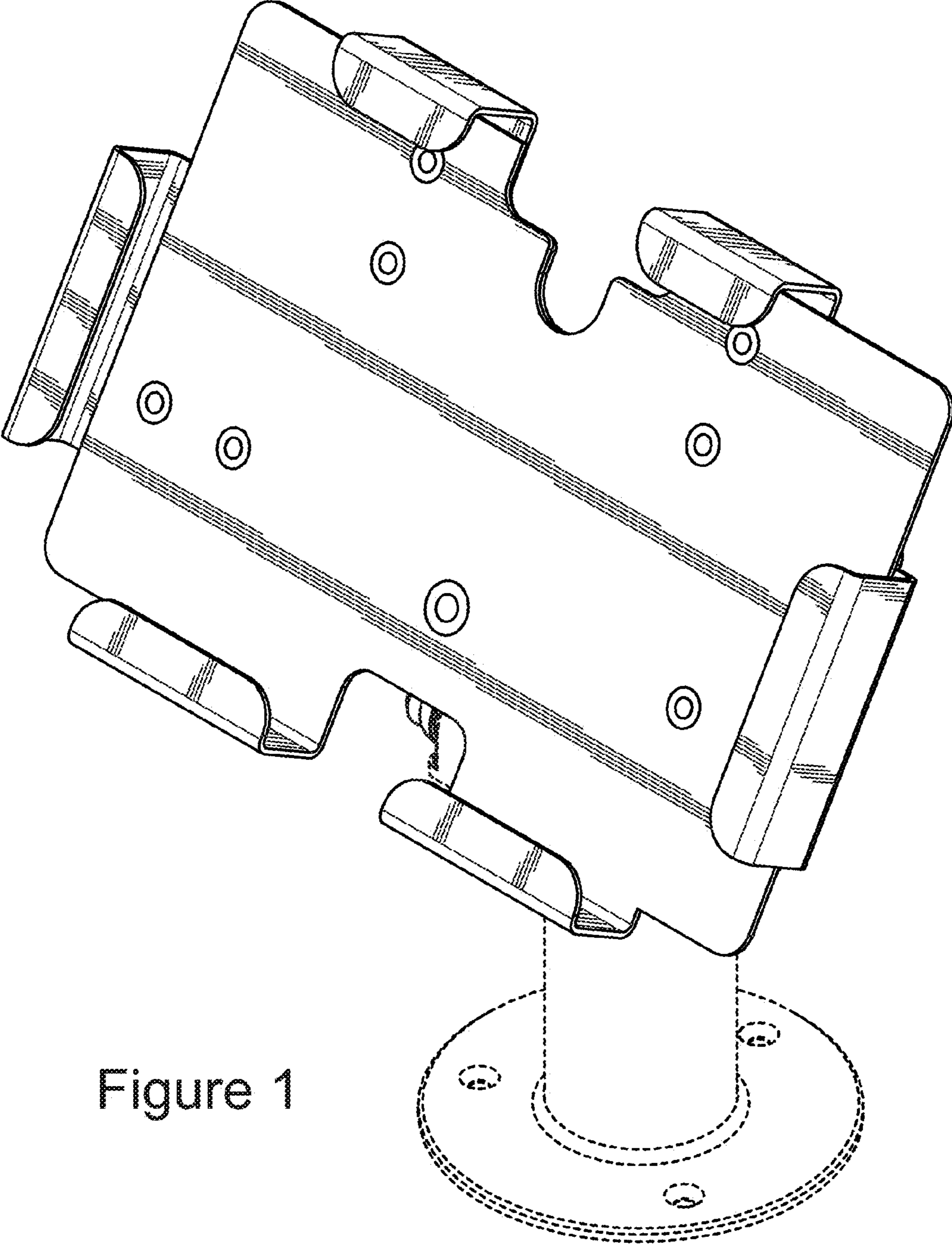


Figure 1

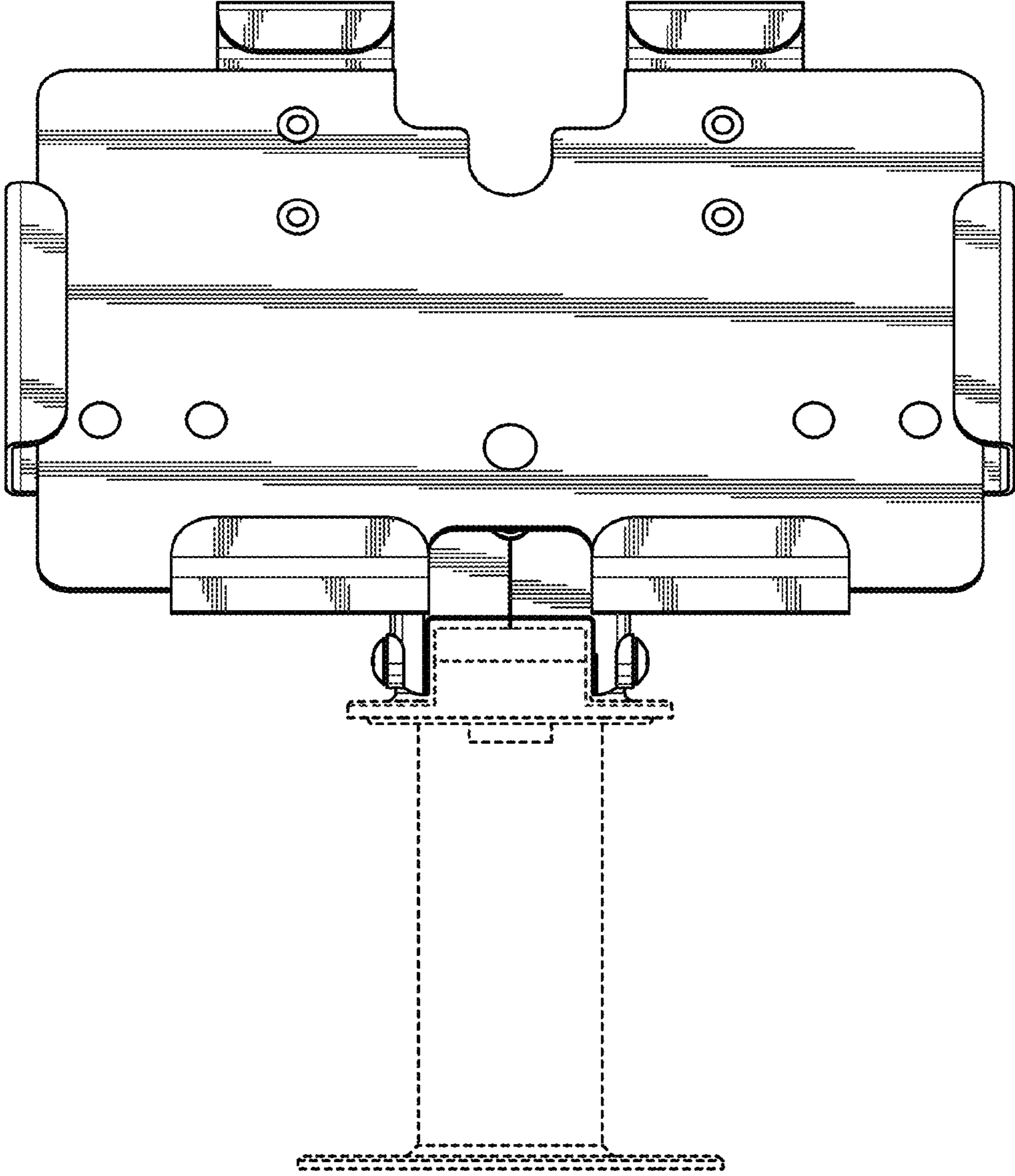


Figure 2

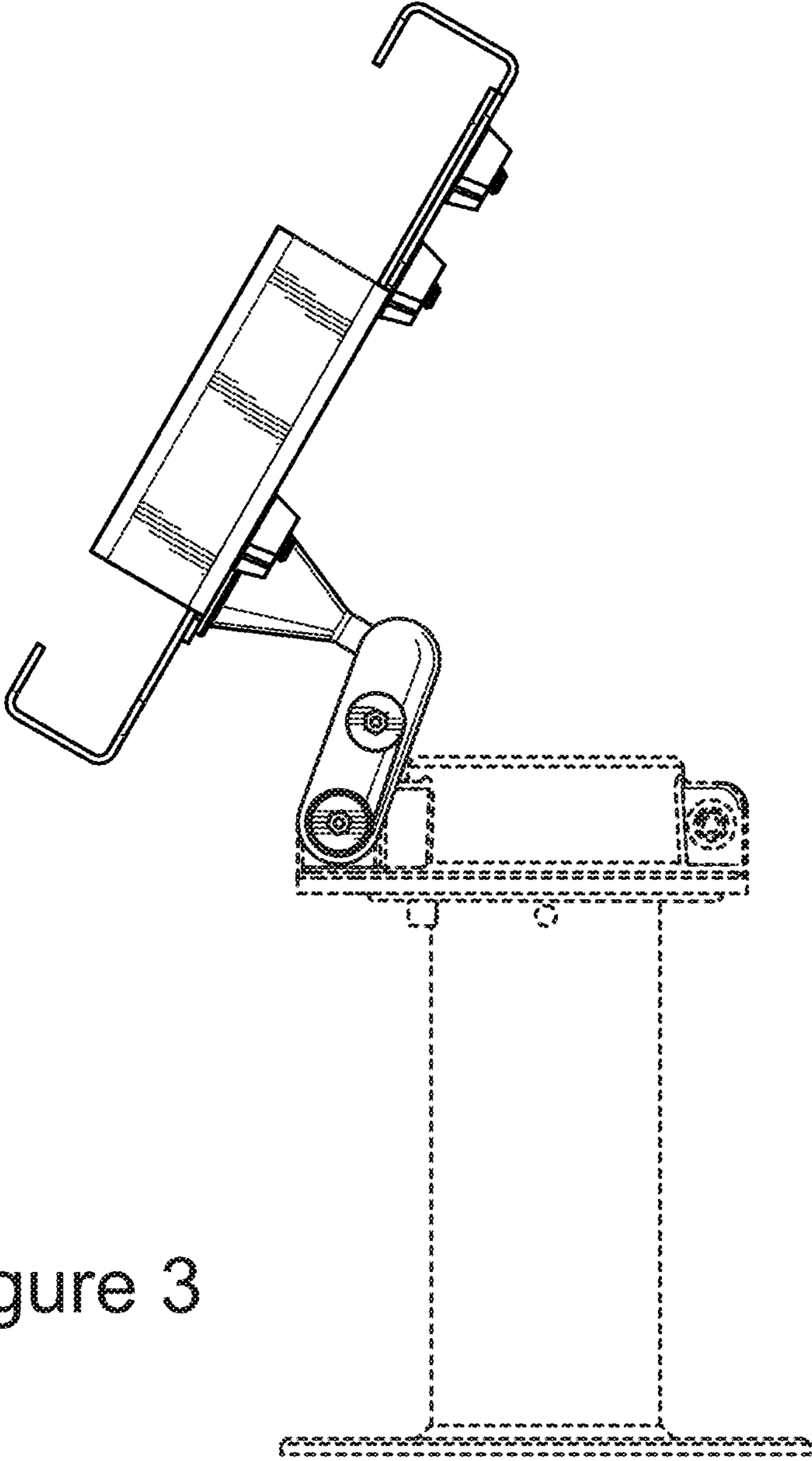


Figure 3

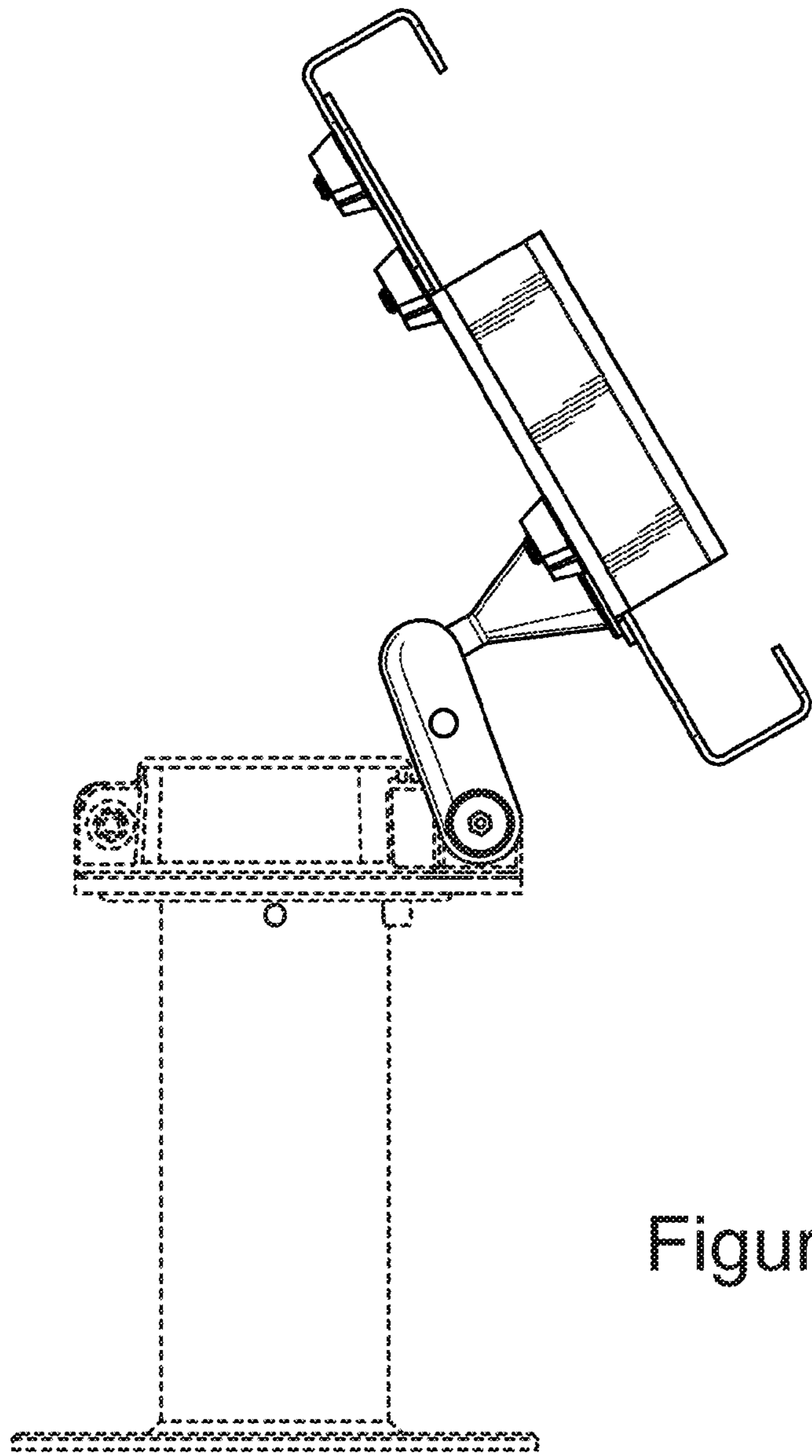


Figure 4

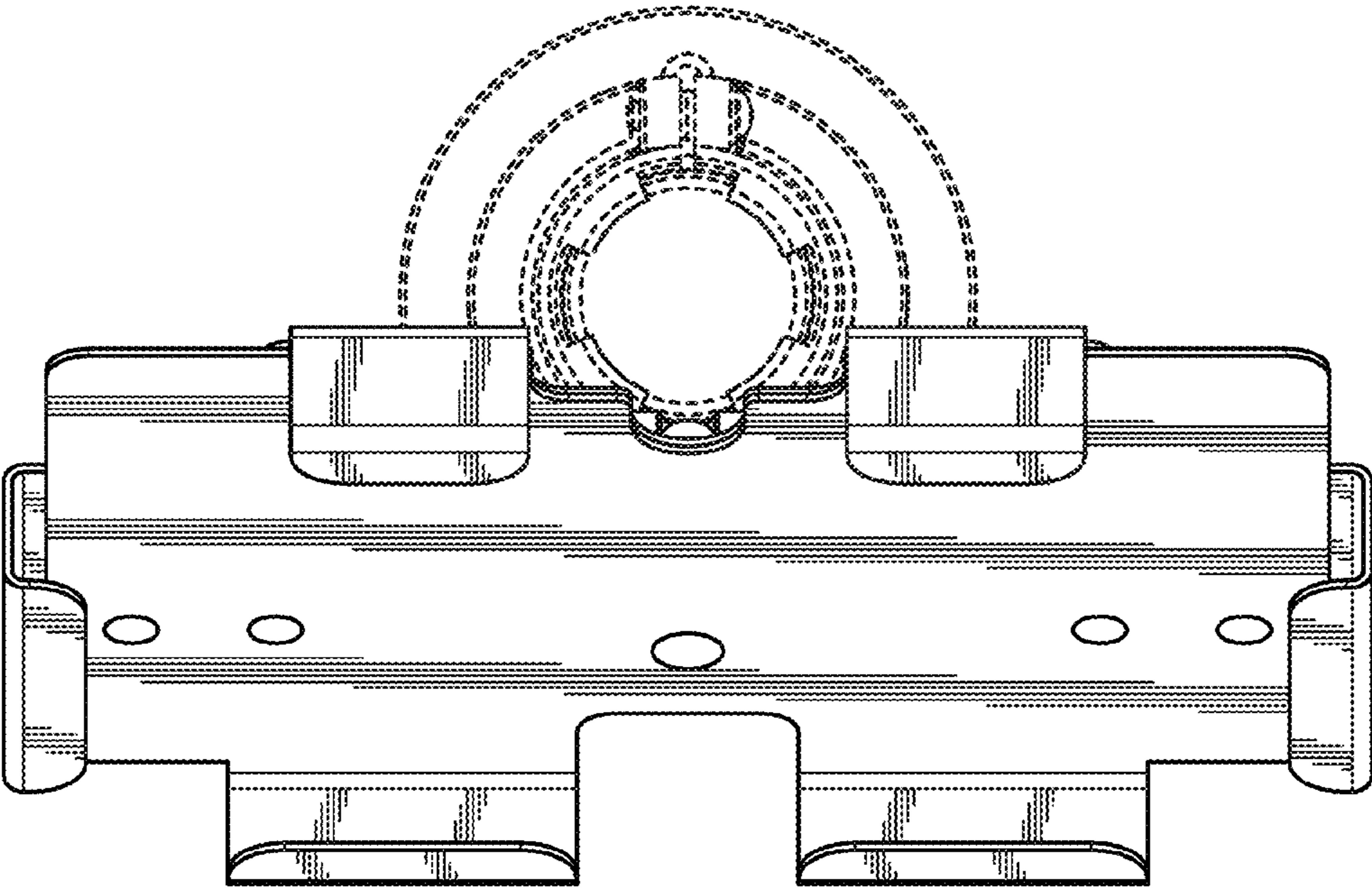


Figure 5

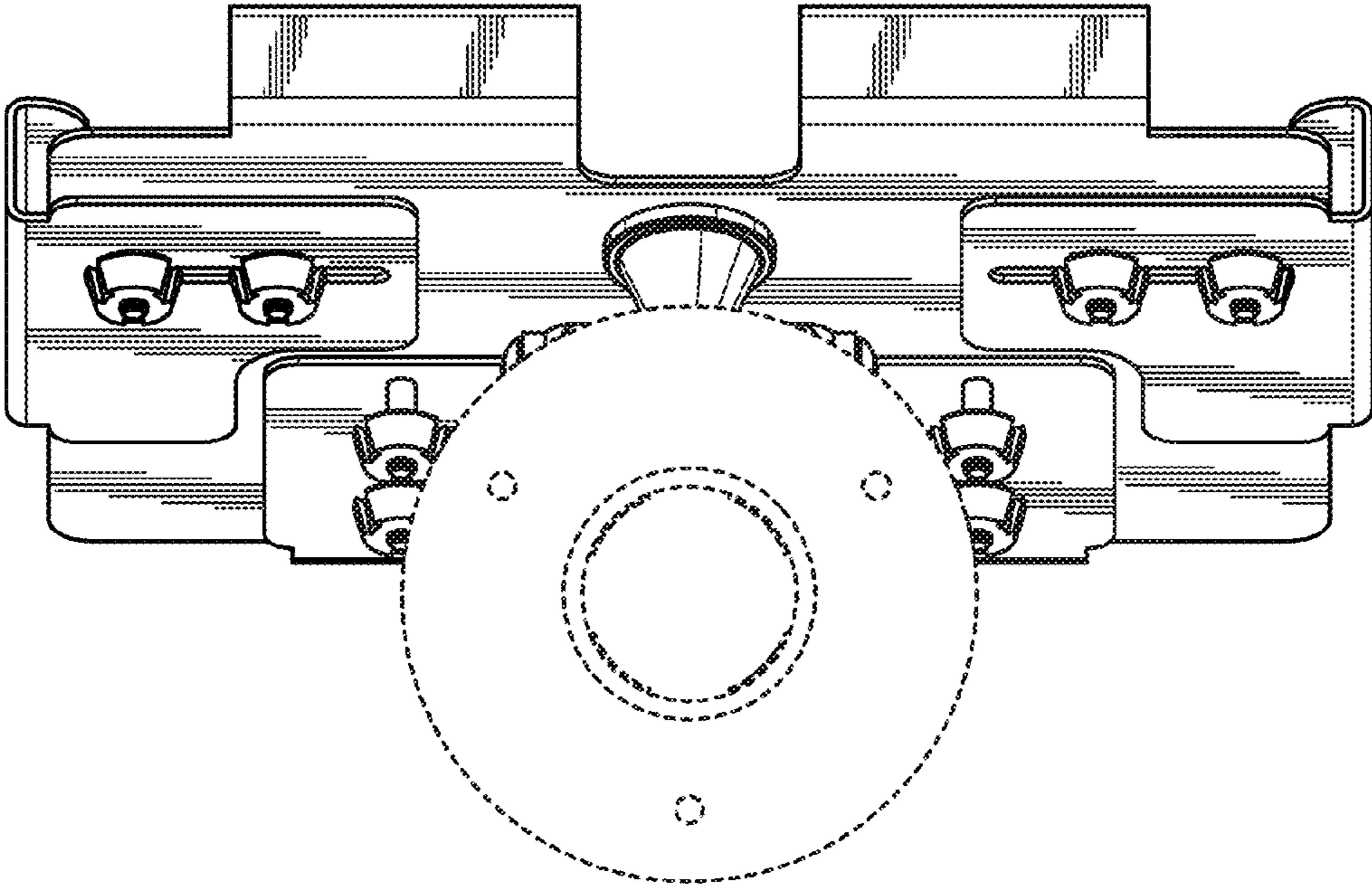


Figure 6

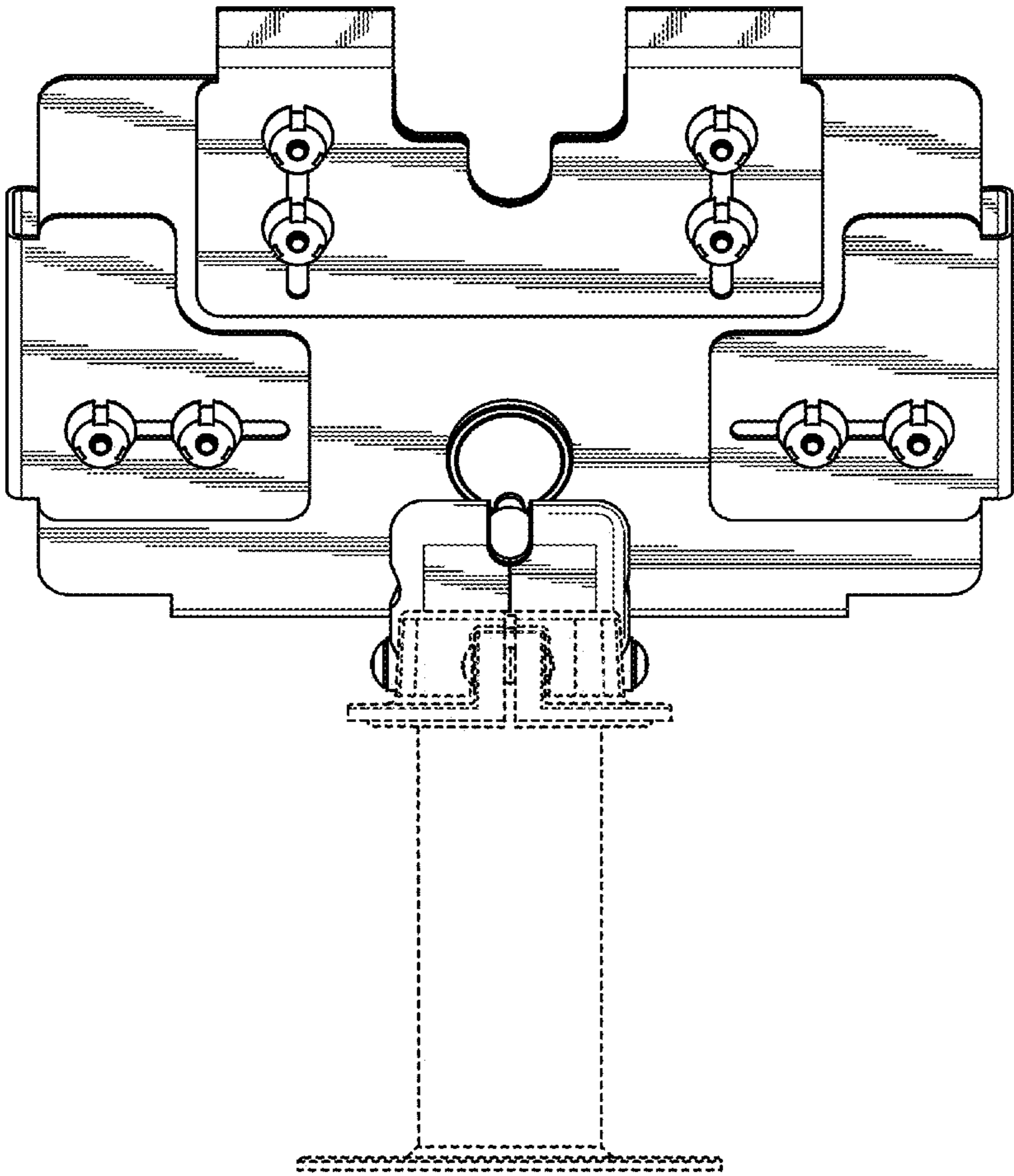


Figure 7

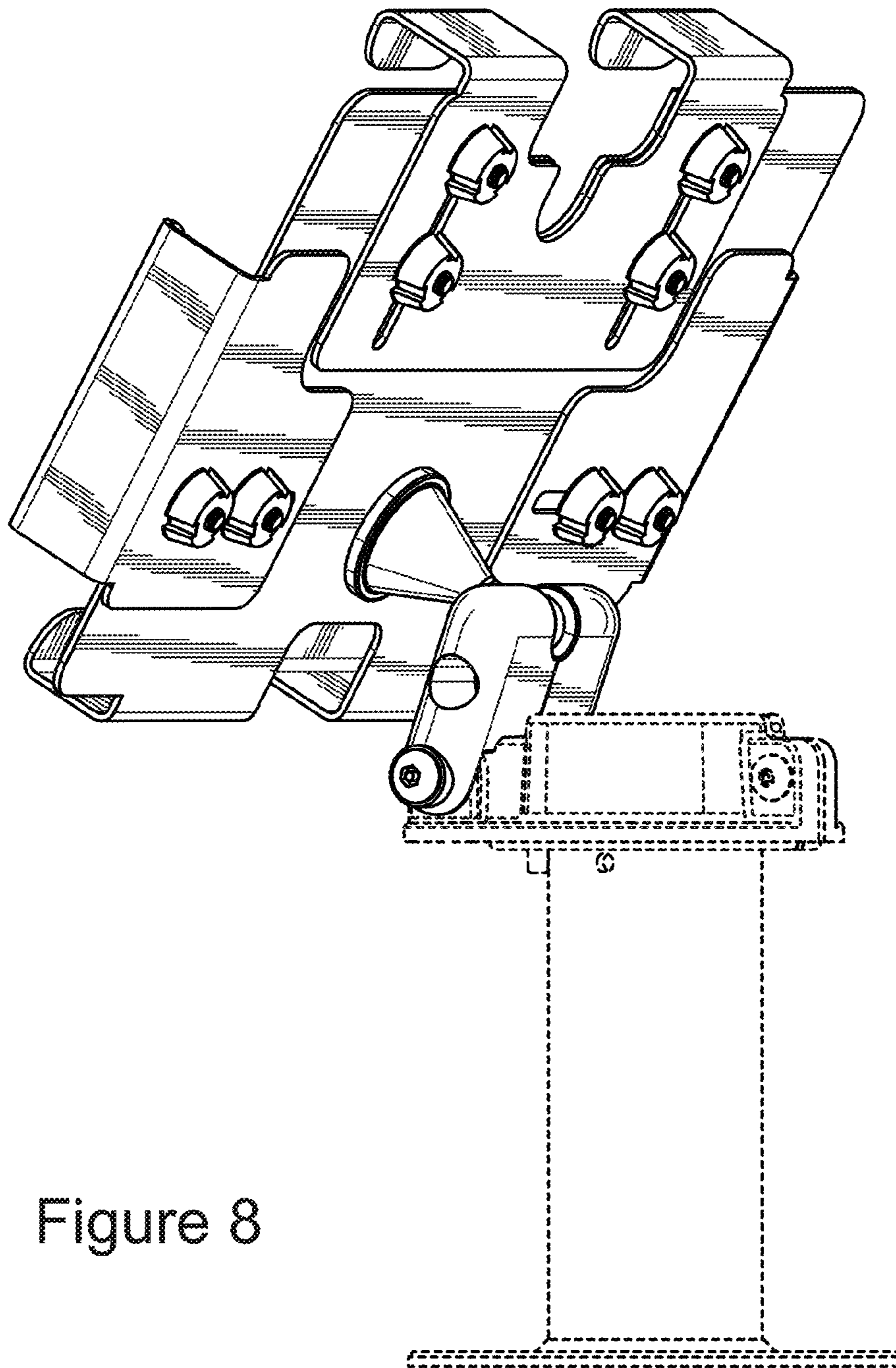


Figure 8

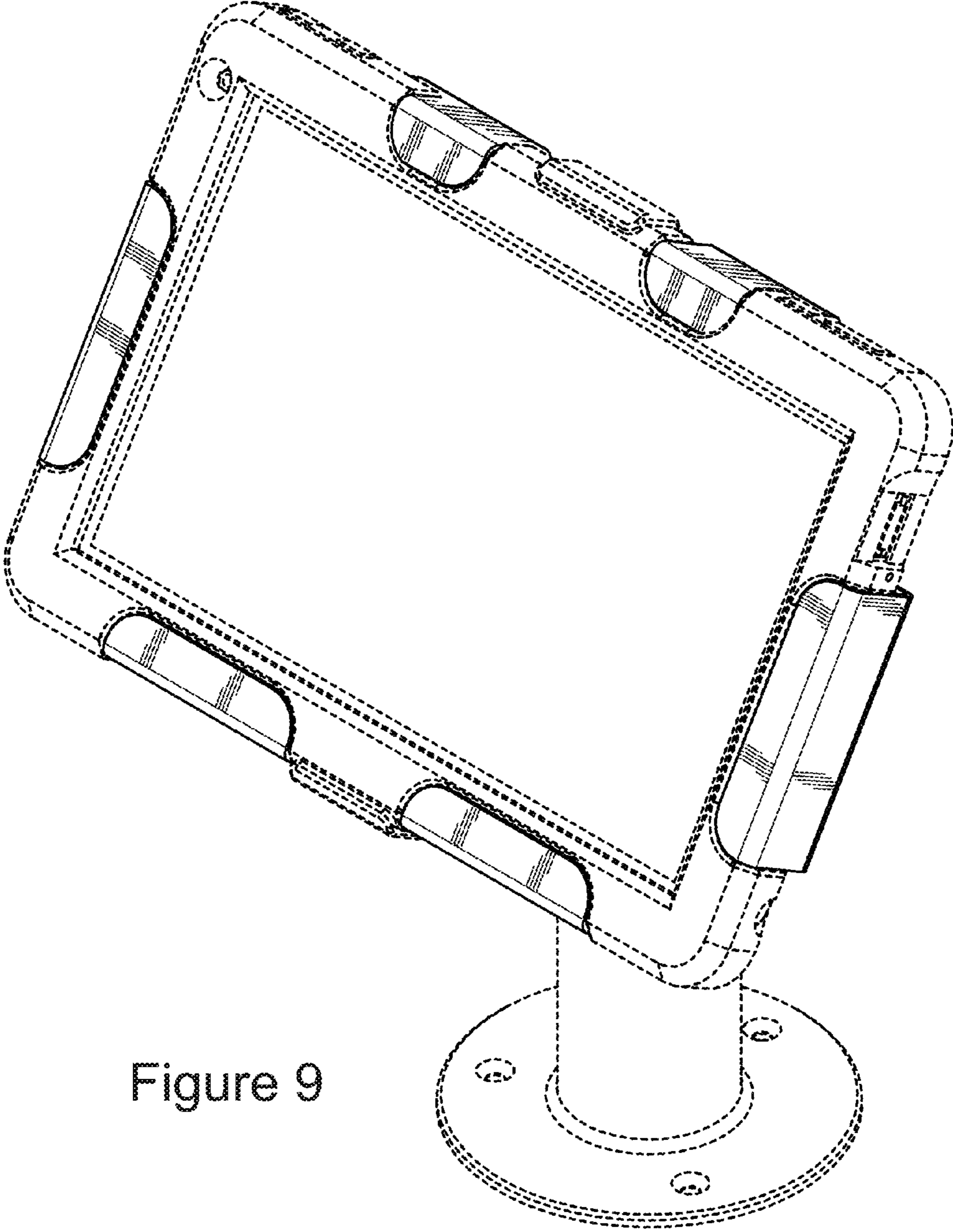


Figure 9

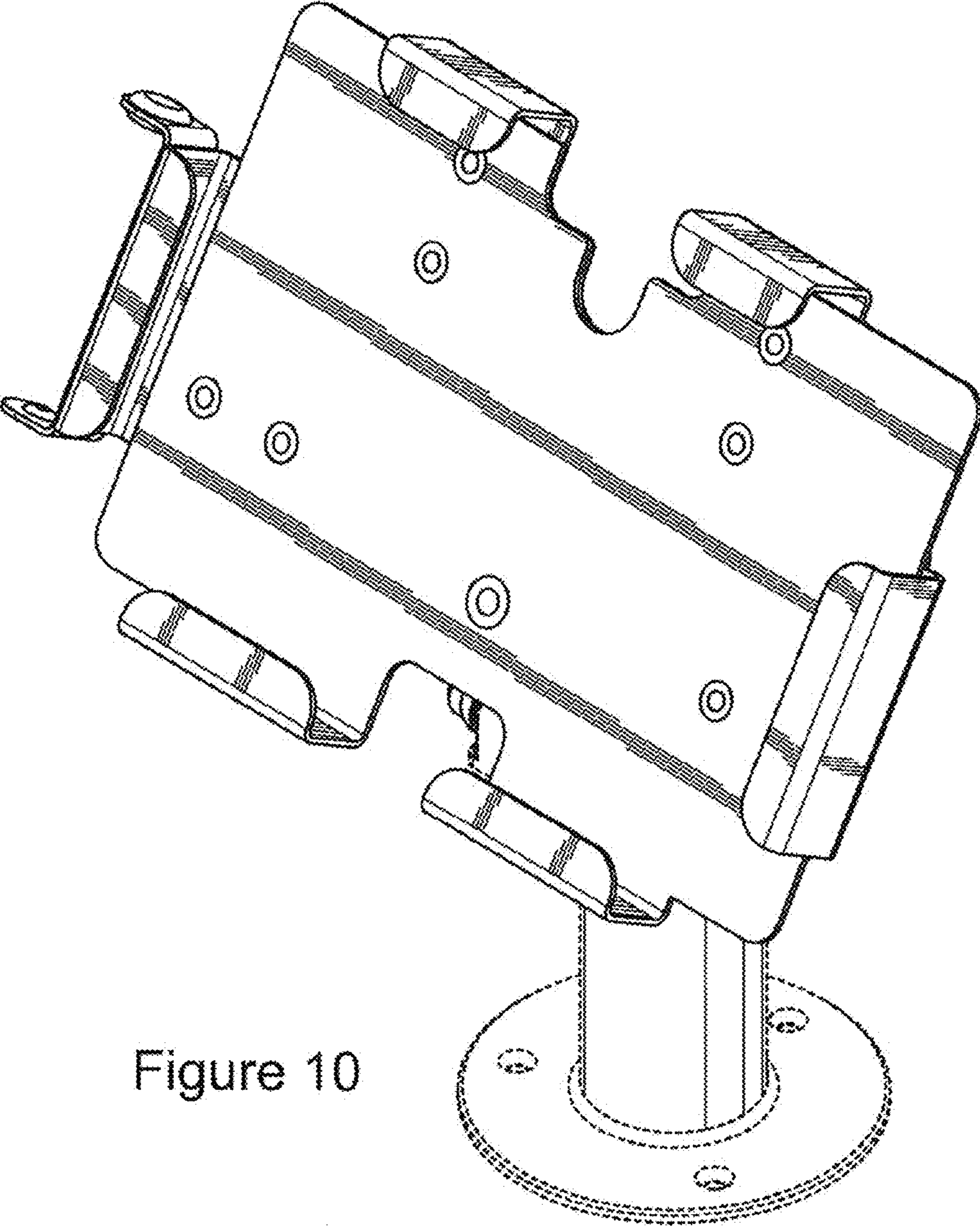


Figure 10

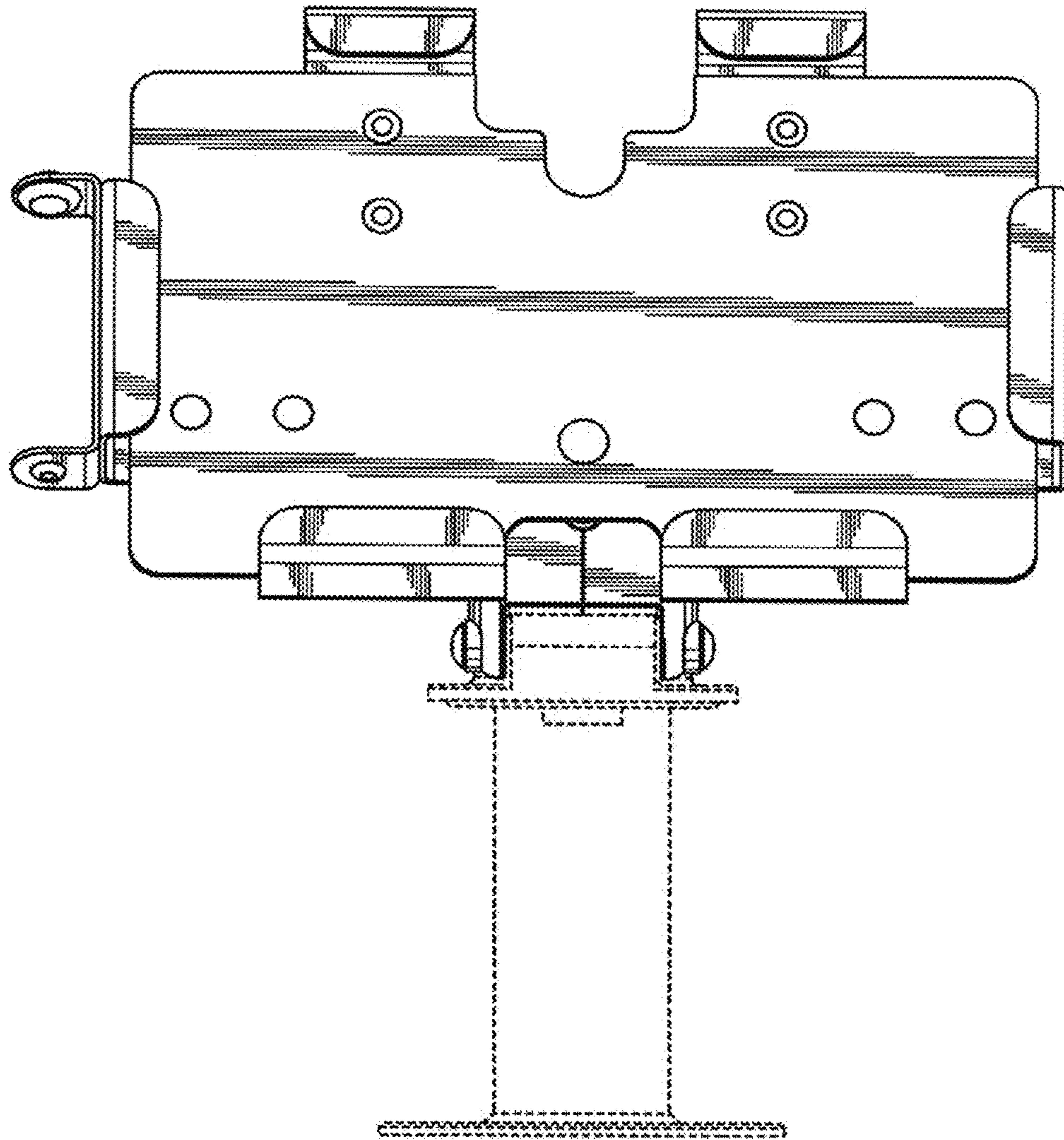


Figure 11

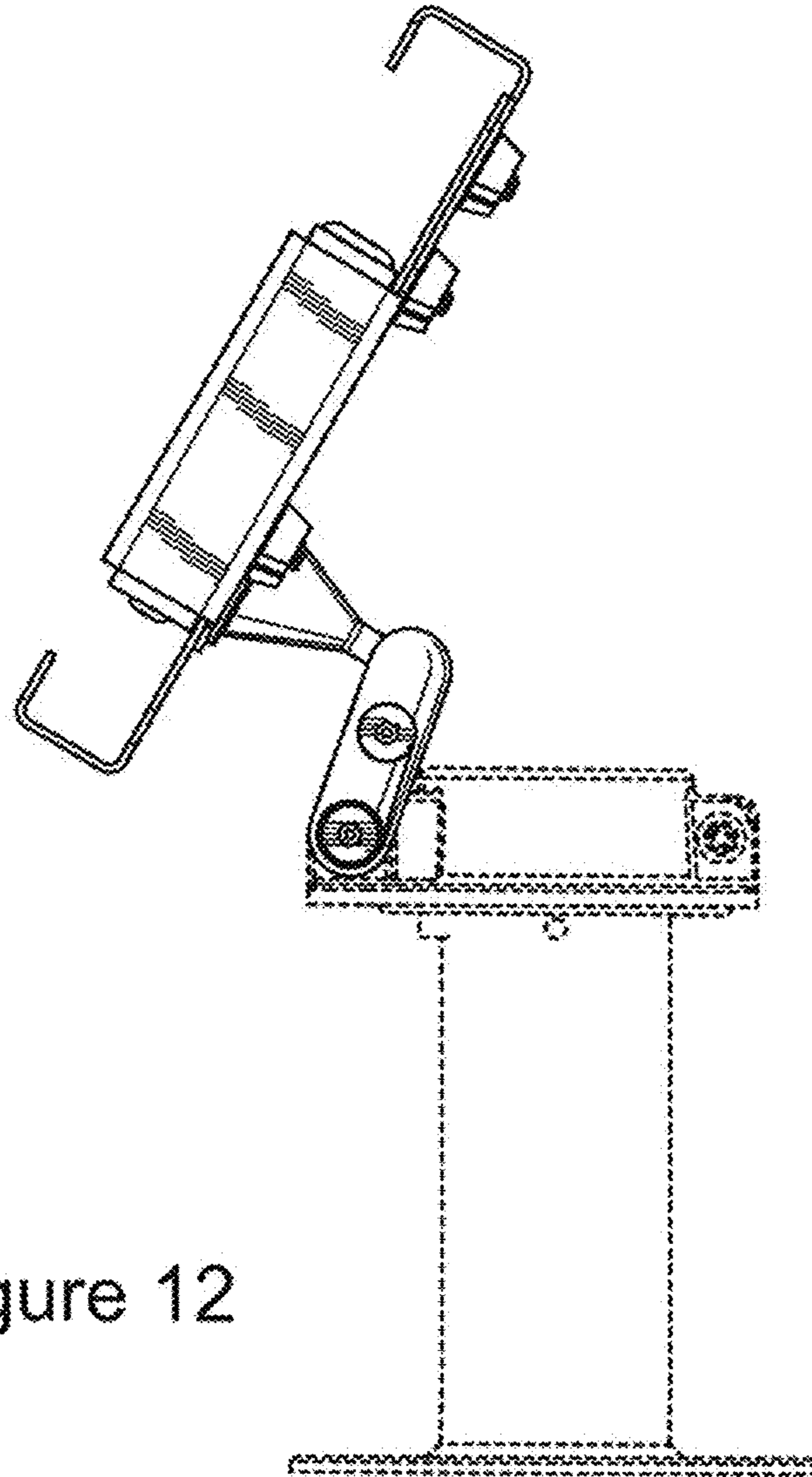


Figure 12

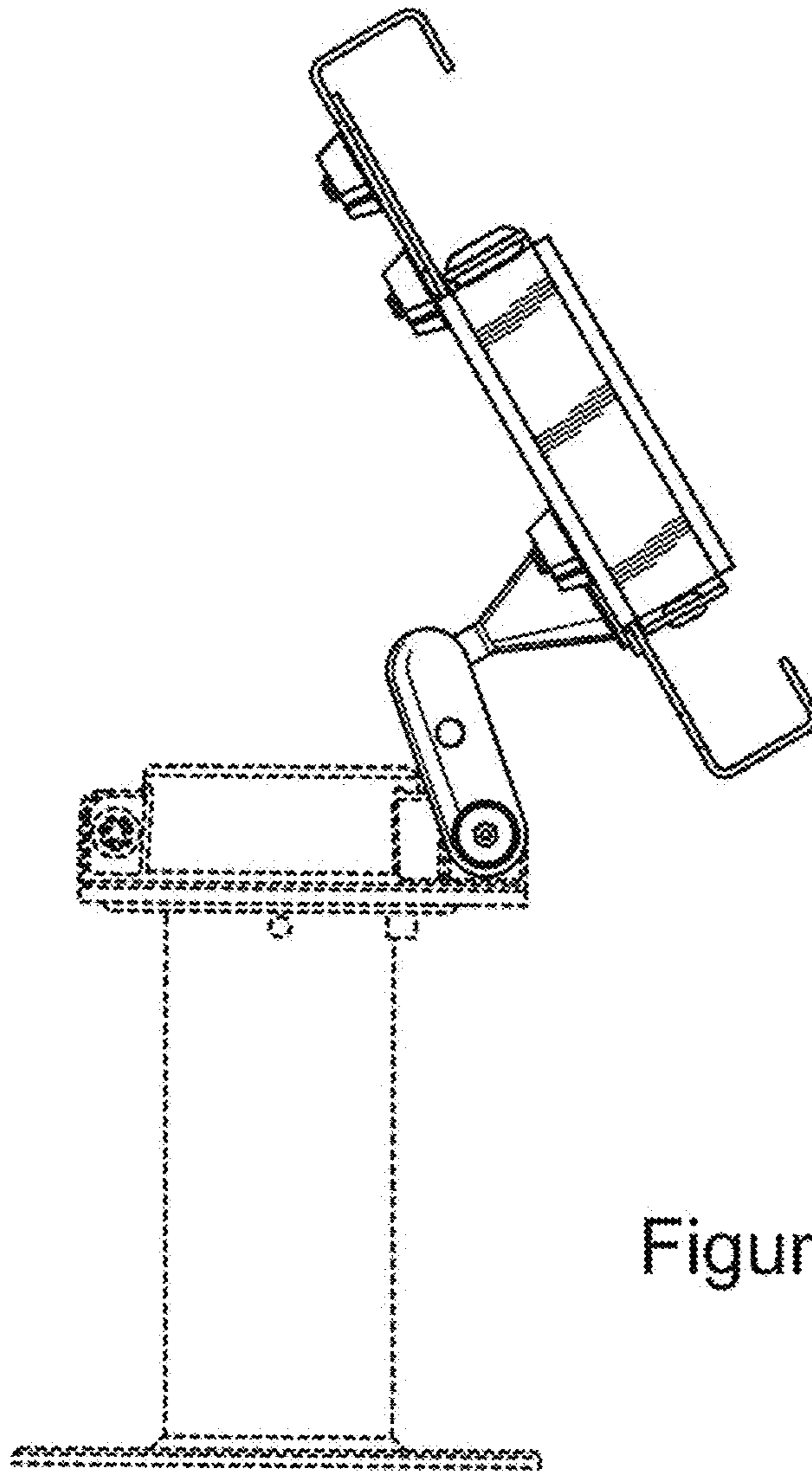


Figure 13

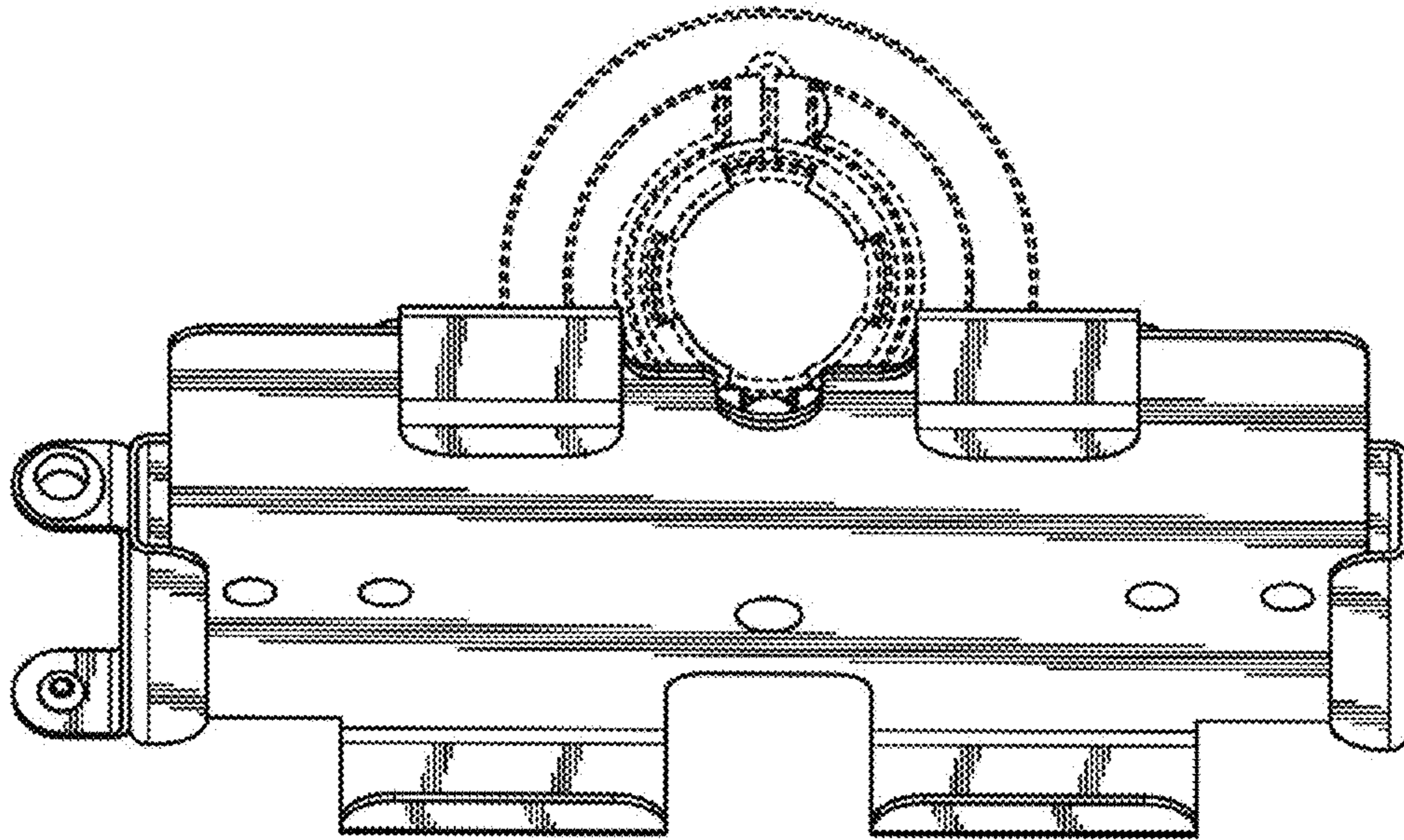


Figure 14

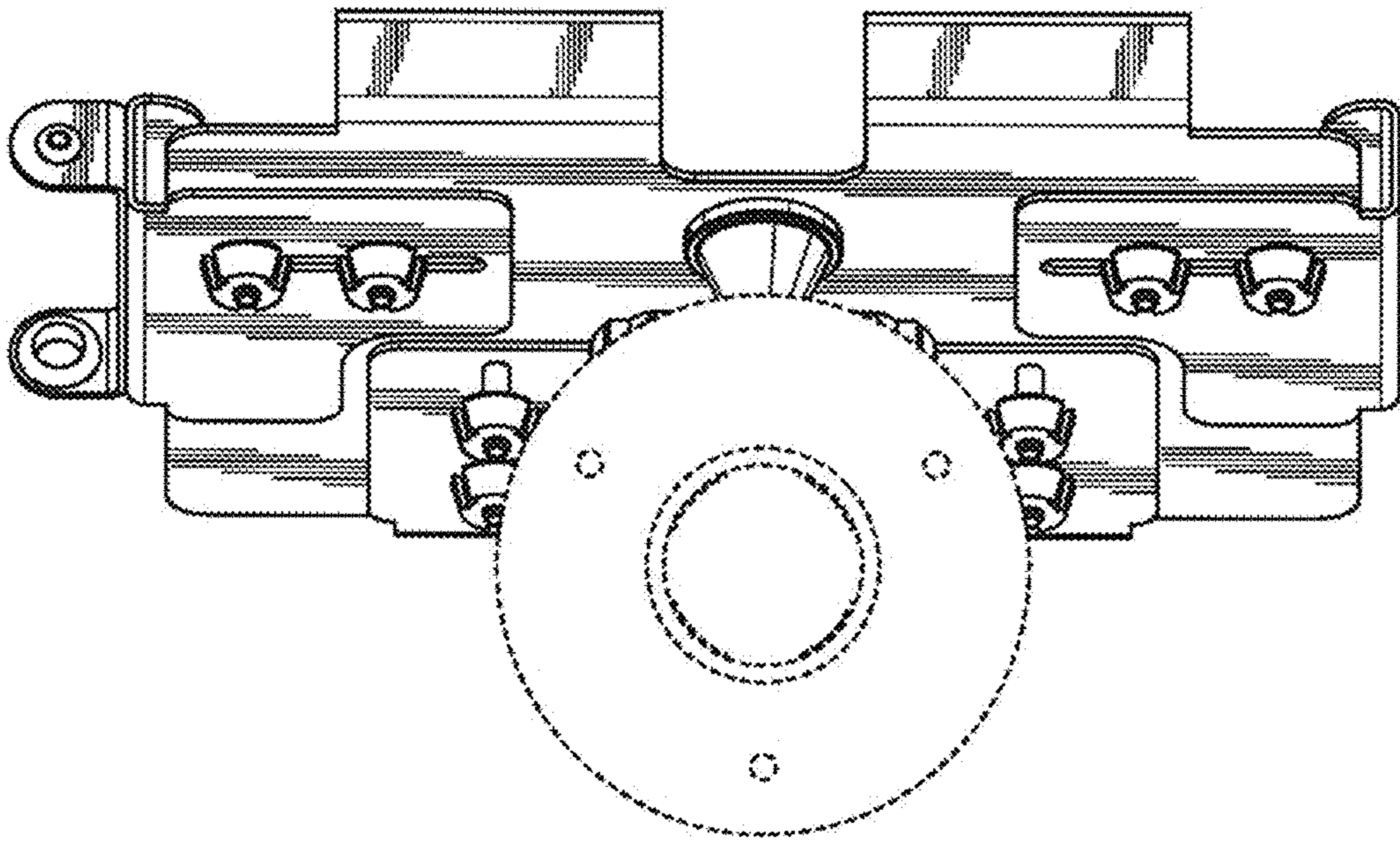


Figure 15

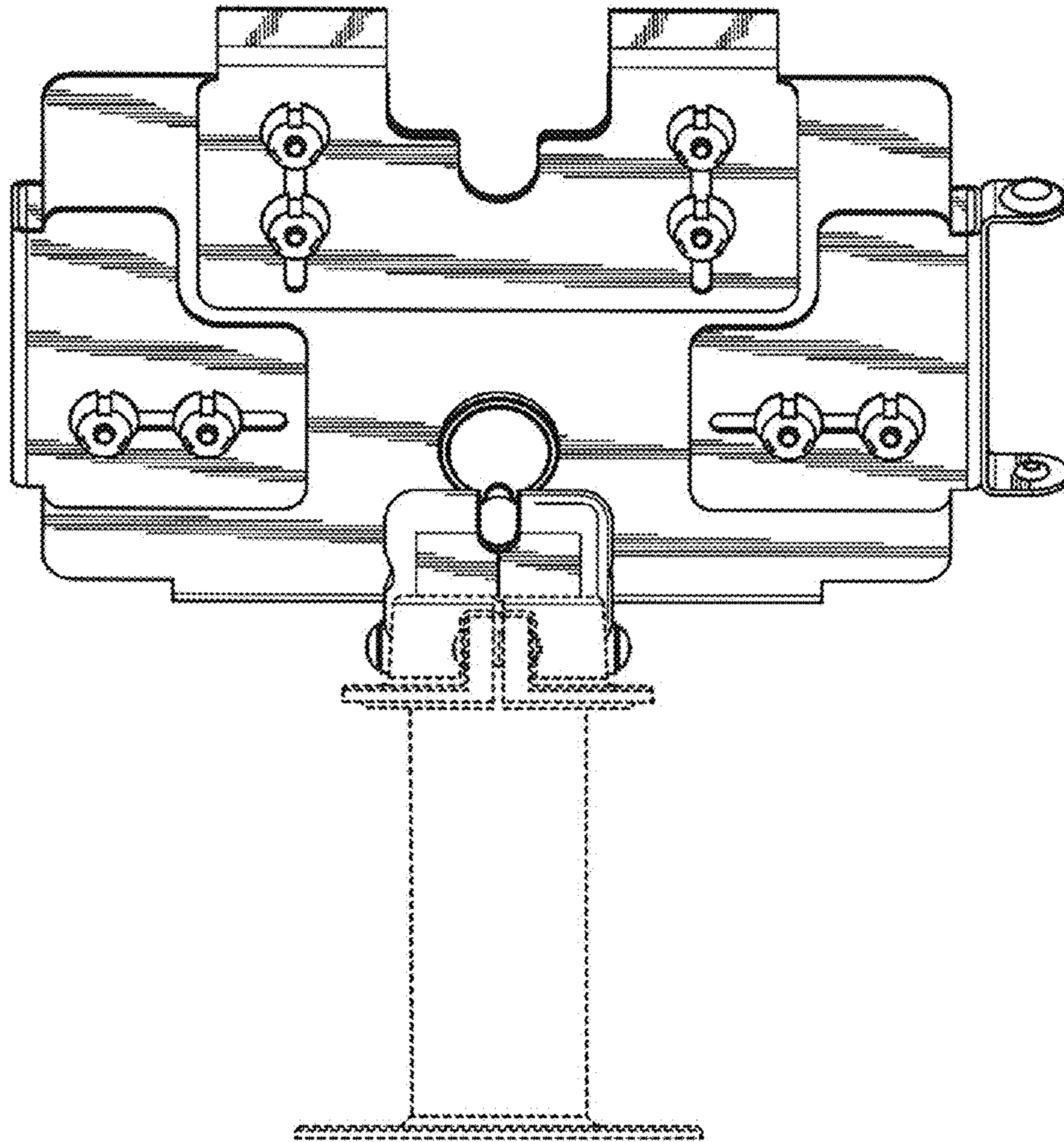


Figure 16

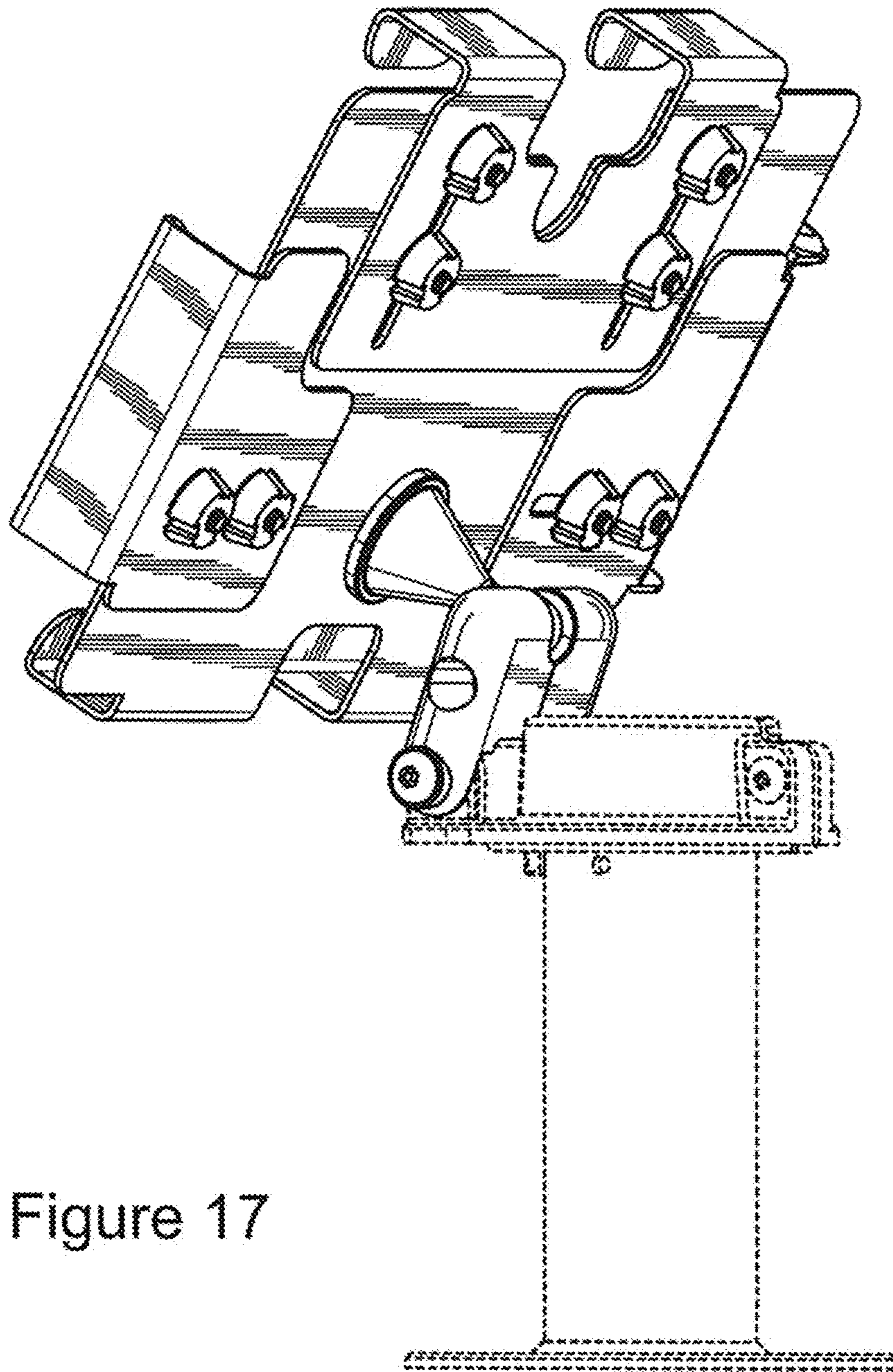


Figure 17