



US00D697917S

(12) **United States Design Patent**
Sato et al.

(10) **Patent No.:** **US D697,917 S**
(45) **Date of Patent:** **** Jan. 21, 2014**

(54) **SCANNER**

(75) Inventors: **Yukihiko Sato**, Nagoya (JP); **Yusuke Nakata**, Kounan (JP); **Tomoyuki Nanno**, Nagoya (JP)

(73) Assignee: **Brother Industries, Ltd.**, Nagoya (JP)

(**) Term: **14 Years**

(21) Appl. No.: **29/401,605**

(22) Filed: **Sep. 13, 2011**

(30) **Foreign Application Priority Data**

Mar. 23, 2011 (JP) 2011-6574

(51) **LOC (10) Cl.** **14-02**

(52) **U.S. Cl.**
USPC **D14/420; D14/421**

(58) **Field of Classification Search**
USPC D14/420-424; 235/462.39, 462.14, 235/462.01, 462.15, 462.17, 454, 235/462.4-462.49, 379, 383, 385, 375, 378, 235/472.02; 358/474, 509, 505, 506, 473; 382/312-315, 321, 318, 319; 356/622, 356/152.3; 359/216-221, 516, 517; 250/203.1, 216, 566; 705/16, 20-21, 705/1-3, 7, 27; D99/28, 35, 36, 40, 43; 186/61, 36, 37, 59, 60, 67; 198/368; 340/572.1, 10.1, 10.5; 156/64; 209/559, 583; 700/215, 225, 226, 227; D19/34, 65; 116/234-239; 24/331, 24/557, 329, 332, 338, 510, 555, 67 R, 24/67.9, 67.1-67.11, 507, 30.5 R, 30.5 P, 24/543; D34/34, 65, 86, 90, 99, 88, 100; D8/394, 395; 281/45; D20/10, 19, 21, D20/42-44, 99; 40/642.01, 642.02, 40/649-651, 658, 661, 661.03; D25/119-123

See application file for complete search history.

(56) **References Cited**

U.S. PATENT DOCUMENTS

1,148,934	A *	8/1915	Shuey	24/563
1,358,560	A *	11/1920	Kennison	24/507
1,438,304	A *	12/1922	Goldberg et al.	446/418
2,678,158	A *	5/1954	Arant	231/2.1
2,740,897	A *	4/1956	Fairbank	250/475.2
2,759,636	A *	8/1956	Albert et al.	222/103
2,781,951	A *	2/1957	Hanford	222/103
D185,785	S *	8/1959	Maynard et al.	D6/541
3,157,000	A *	11/1964	Stavig	446/418
D204,050	S *	3/1966	Scott, I.	D6/541
3,281,016	A *	10/1966	Thompson et al.	222/103
3,317,973	A *	5/1967	Finkle	24/564
3,402,442	A *	9/1968	Kruger et al.	24/557
3,418,059	A *	12/1968	Robe	401/266

(Continued)

Primary Examiner — Susan Moon Lee

(74) *Attorney, Agent, or Firm* — Oliff & Berridge, PLC

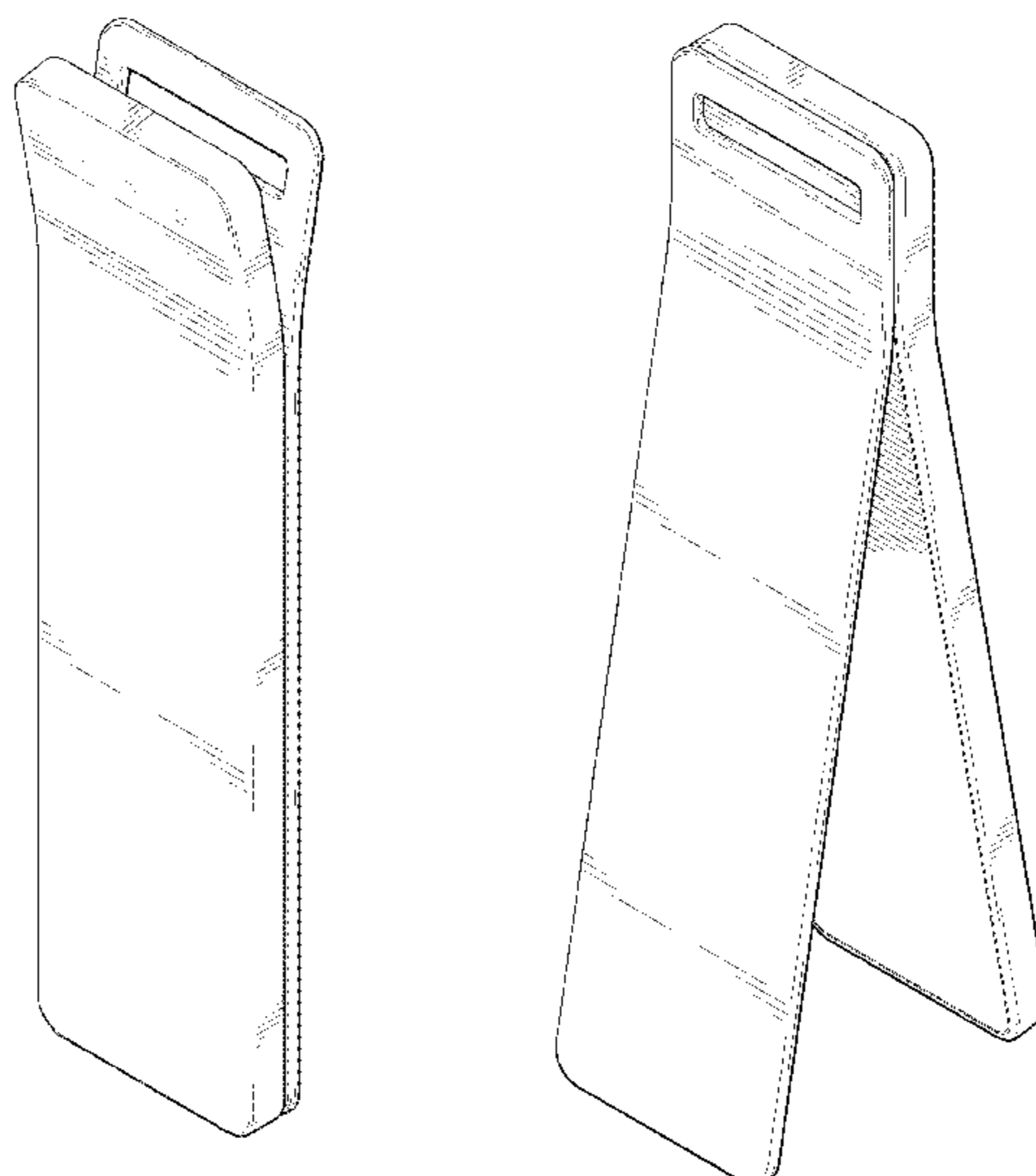
(57) **CLAIM**

The ornamental design for a scanner, as shown and described.

DESCRIPTION

FIG. 1 is a front perspective view of a scanner;
FIG. 2 is a front view thereof;
FIG. 3 is a top view thereof;
FIG. 4 is a right-side view thereof, the left-side view being a mirror image of the right-side view;
FIG. 5 is a rear view thereof;
FIG. 6 is a bottom view thereof;
FIG. 7 is a rear perspective view thereof;
FIG. 8 is another front perspective view thereof in an open state;
FIG. 9 is another rear perspective view thereof in an open state; and,
FIG. 10 is an enlarged partial cross-sectional view thereof taken along lines 10-10 in FIG. 3.
Broken lines and portions contained within broken line are not claimed.

1 Claim, 7 Drawing Sheets



(56)

References Cited

U.S. PATENT DOCUMENTS

- D218,144 S * 7/1970 Branson D8/395
D229,033 S * 11/1973 Cooper D8/395
3,783,733 A * 1/1974 Zirimis 84/402
3,942,829 A * 3/1976 Humble et al. 70/57.1
3,995,900 A * 12/1976 Humble et al. 70/57.1
4,075,922 A * 2/1978 Smith 84/402
4,172,536 A * 10/1979 Holt 222/103
4,277,864 A * 7/1981 Orson, Sr. 24/327
4,299,870 A * 11/1981 Humble 24/704.2
D267,993 S * 2/1983 Barrera D6/541
D274,796 S * 7/1984 Humble D10/106.91
D276,827 S * 12/1984 Jones D21/406
D277,534 S * 2/1985 Warmath D6/328
D280,973 S * 10/1985 Ferrell D8/395
D283,201 S * 4/1986 Zoroufy D8/382
4,688,510 A * 8/1987 McNeely 116/237
D292,071 S * 9/1987 Weir D9/442
D292,424 S * 10/1987 Jones D21/406
D295,501 S * 5/1988 Brayford D10/31
D299,008 S * 12/1988 Naslund D9/443
D299,939 S * 2/1989 Sandoval D21/693
4,802,263 A * 2/1989 Lorber 24/67.5
4,810,228 A * 3/1989 Huggins 446/418
4,838,383 A * 6/1989 Saito et al. 186/59
D302,654 S * 8/1989 Cetrone D8/395
D303,590 S * 9/1989 Pelosi D6/328
4,903,376 A * 2/1990 Rousseau 24/67.9
D310,020 S * 8/1990 Fujioka D8/396
D313,758 S * 1/1991 Klose D10/31
D315,864 S * 4/1991 Embree et al. D8/395
D317,571 S * 6/1991 Henriksson D9/443
D319,078 S * 8/1991 Hector, Sr. D20/21
D322,390 S * 12/1991 Nimtzt et al. D8/395
5,079,808 A * 1/1992 Brown 24/67.7
D323,588 S * 2/1992 Pelosi D6/328
D329,373 S * 9/1992 Kaga D8/394
D329,374 S * 9/1992 Kaga D8/394
D346,655 S * 5/1994 Harris D24/128
D348,370 S * 7/1994 Yarmunilert D6/541
5,325,570 A * 7/1994 Chin-Ho 24/530
D356,001 S * 3/1995 Yarmunilert D6/541
D361,032 S * 8/1995 Dougan et al. D8/395
D365,170 S * 12/1995 Ng et al. D26/138
D376,534 S * 12/1996 Wolff D8/395
5,645,254 A * 7/1997 Ng et al. 248/206.2
D392,574 S * 3/1998 Spagna D10/106.91
D393,797 S * 4/1998 Kostigian D8/395
D396,861 S * 8/1998 Yamagishi D14/218
D399,209 S * 10/1998 Yamagishi D14/218
D409,901 S * 5/1999 Blackburn et al. D8/395
D410,927 S * 6/1999 Yamagishi D14/218
D423,353 S * 4/2000 Blanchard et al. D9/435
6,065,728 A * 5/2000 Spradlin 248/309.1
D432,524 S * 10/2000 Yamagishi D14/218
6,172,360 B1 * 1/2001 Khovaylo et al. 250/235
D444,787 S * 7/2001 Tsushima D14/420
D447,048 S * 8/2001 Beloff D8/395
D450,571 S * 11/2001 Chen D8/395
6,334,403 B1 * 1/2002 Burns 116/234
D454,296 S * 3/2002 Masson et al. D8/395
D466,427 S * 12/2002 Huehner et al. D10/106.91
D476,556 S * 7/2003 Martin et al. D8/395
D484,034 S * 12/2003 Smith-Kielland et al. D8/394
6,754,939 B2 * 6/2004 Belden et al. 24/704.1
D503,231 S * 3/2005 Daugherty D24/128
D509,508 S * 9/2005 Ko et al. D14/420
D512,065 S * 11/2005 Ko et al. D14/420
D523,477 S * 6/2006 Cetera D19/65
D528,902 S * 9/2006 Mandel D8/395
D528,903 S * 9/2006 Alitowski D8/395
D531,017 S * 10/2006 Debevec et al. D8/394
D532,316 S * 11/2006 Barbeau et al. D10/2
D532,683 S * 11/2006 Case D8/395
D536,606 S * 2/2007 Cox et al. D8/395
D540,868 S * 4/2007 Williams D19/65
D541,272 S * 4/2007 Wang D14/356
D544,787 S * 6/2007 Dash D8/395
D551,705 S * 9/2007 Mershon D19/34
D552,461 S * 10/2007 Oas D8/395
D552,978 S * 10/2007 Liao D8/395
D556,199 S * 11/2007 Song D14/357
D561,573 S * 2/2008 Hyde et al. D8/395
D566,536 S * 4/2008 Wolff et al. D8/395
D566,537 S * 4/2008 Wen-Po D8/395
D566,539 S * 4/2008 Hicks D8/395
D570,203 S * 6/2008 Shiimoto D8/395
D571,646 S * 6/2008 O'Rourke et al. D8/395
D571,647 S * 6/2008 La Quay et al. D8/395
D572,127 S * 7/2008 O'Rourke et al. D8/395
D574,226 S * 8/2008 Wolff D8/395
D576,869 S * 9/2008 Yabe et al. D8/395
D576,889 S * 9/2008 Mandel D10/2
D580,983 S * 11/2008 Cetera D19/65
D584,406 S * 1/2009 Veedfald et al. D24/128
D586,060 S * 2/2009 Kahn D32/54
D590,892 S * 4/2009 Healy et al. D20/43
D591,751 S * 5/2009 Ku D14/435
D594,828 S * 6/2009 Dozoretz et al. D14/125
D608,631 S * 1/2010 Preminger D8/395
D618,227 S * 6/2010 Han D14/242
D619,451 S * 7/2010 Carlesso D8/395
D638,002 S * 5/2011 Chen D14/242
D644,550 S * 9/2011 Spencer et al. D10/116.1
D651,208 S * 12/2011 Pacyga et al. D14/358
D659,755 S * 5/2012 Rist D19/34
D668,656 S * 10/2012 Hoskinson et al. D14/420
8,388,011 B2 * 3/2013 Spencer et al. 280/304.2
D679,809 S * 4/2013 Clarke et al. D24/127
D683,511 S * 5/2013 Fascitelli D32/61
D684,975 S * 6/2013 Hoskinson et al. D14/420
D685,374 S * 7/2013 Schindler D14/435
D689,949 S * 9/2013 Valls et al. D20/43
2009/0229084 A1 * 9/2009 Thomson et al. 24/67.5
2012/0205448 A1 * 8/2012 Hoskinson et al. 235/440
2013/0020392 A1 * 1/2013 Olmstead et al. 235/440

* cited by examiner

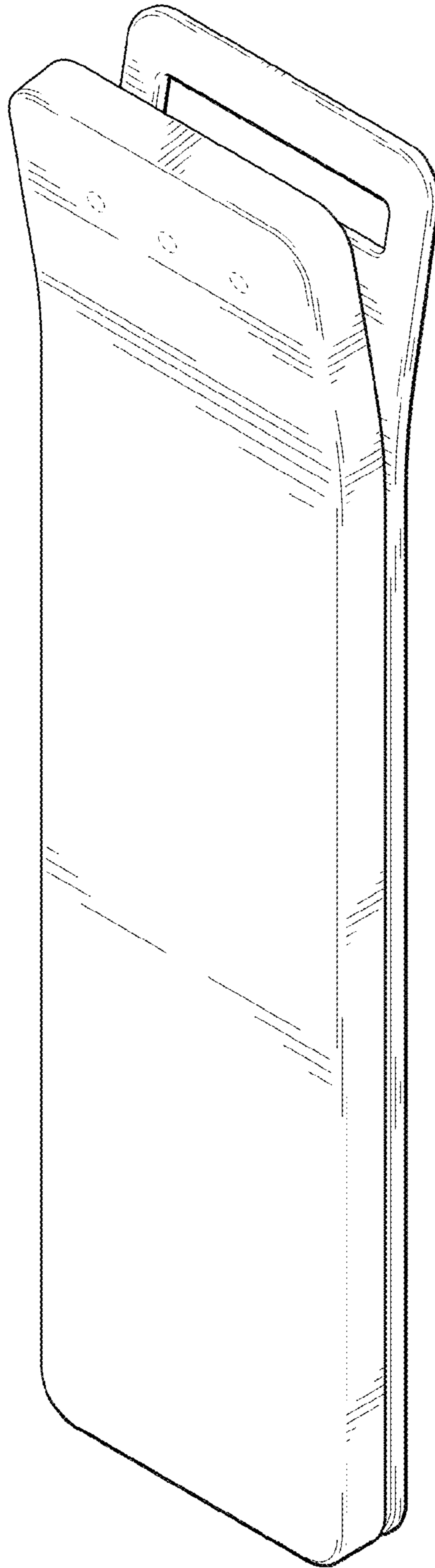


FIG. 1

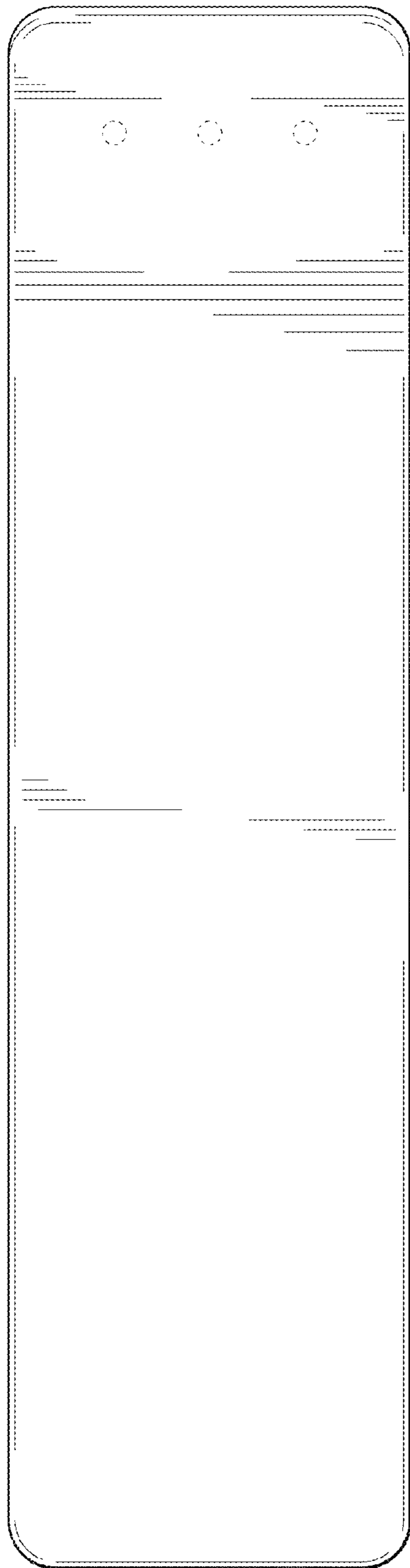


FIG. 2

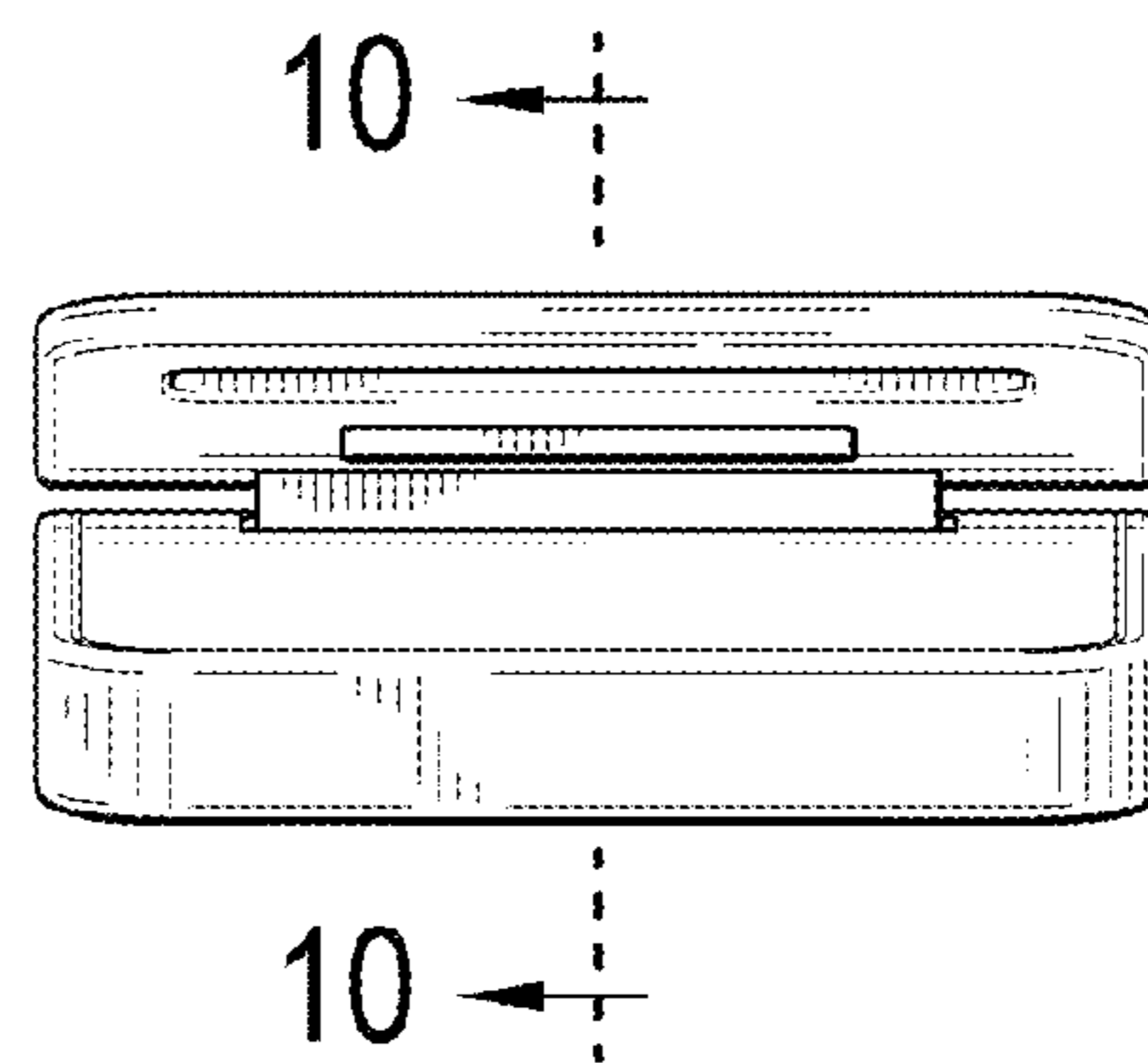


FIG. 3

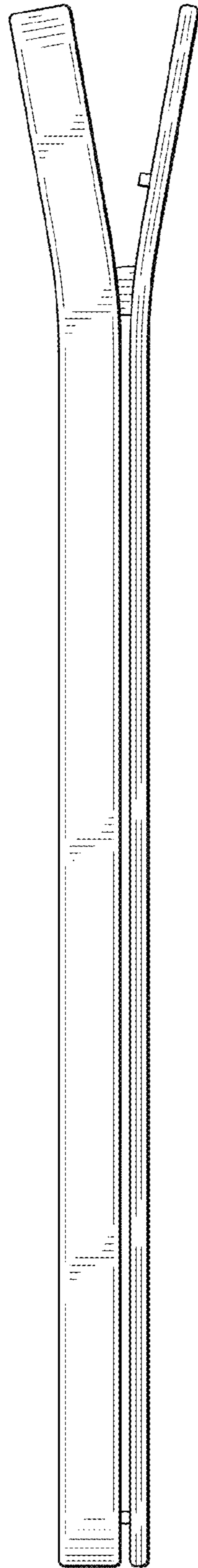


FIG. 4

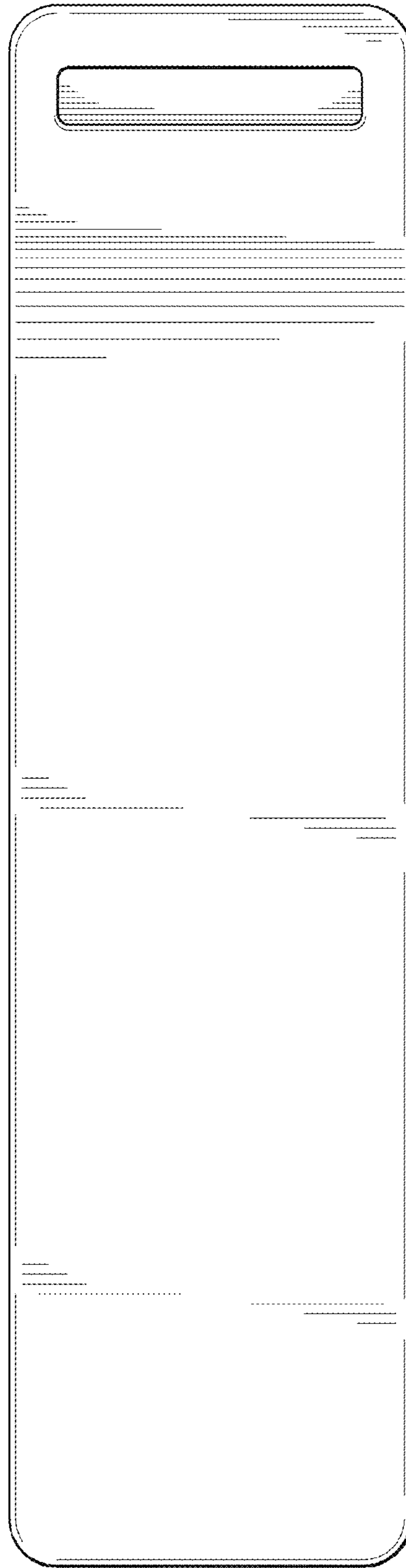


FIG. 5

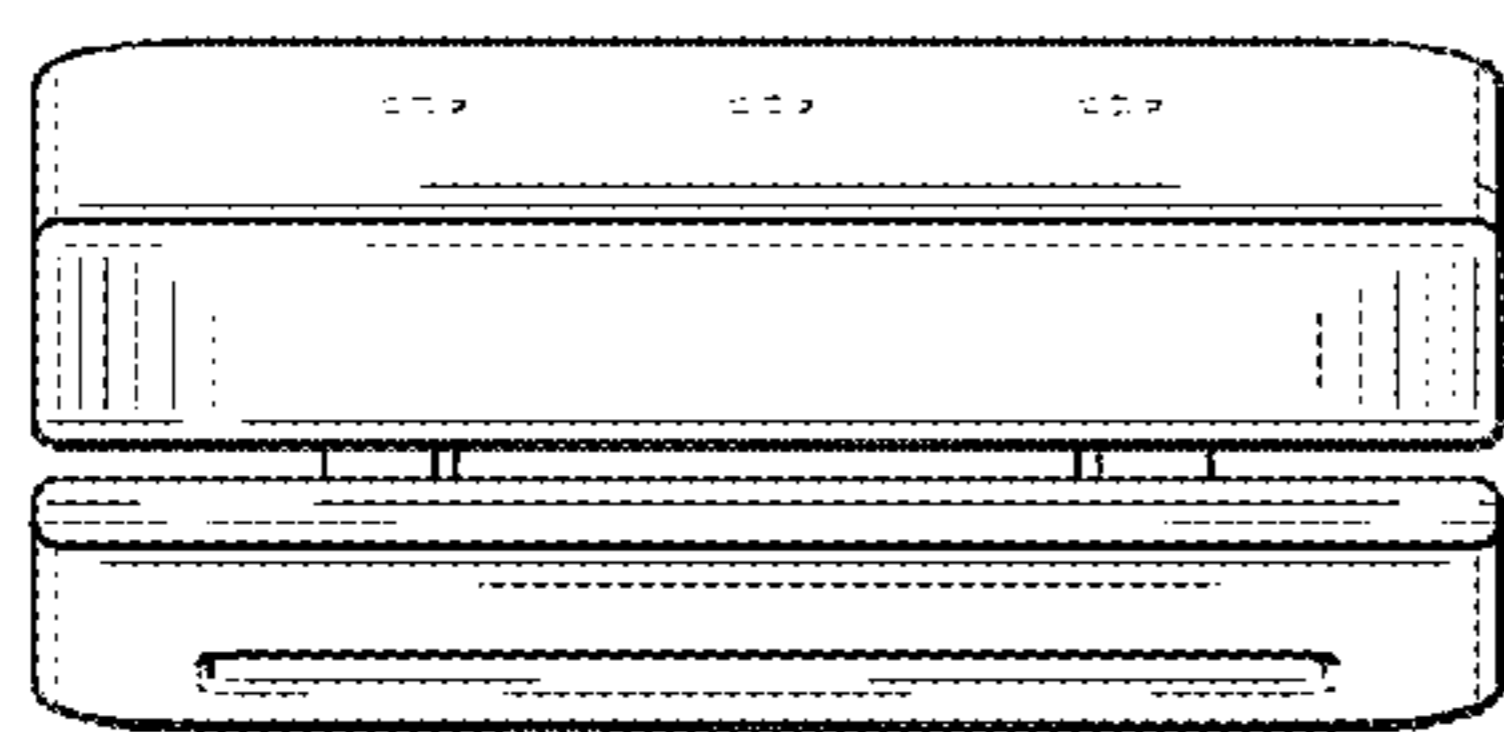


FIG. 6

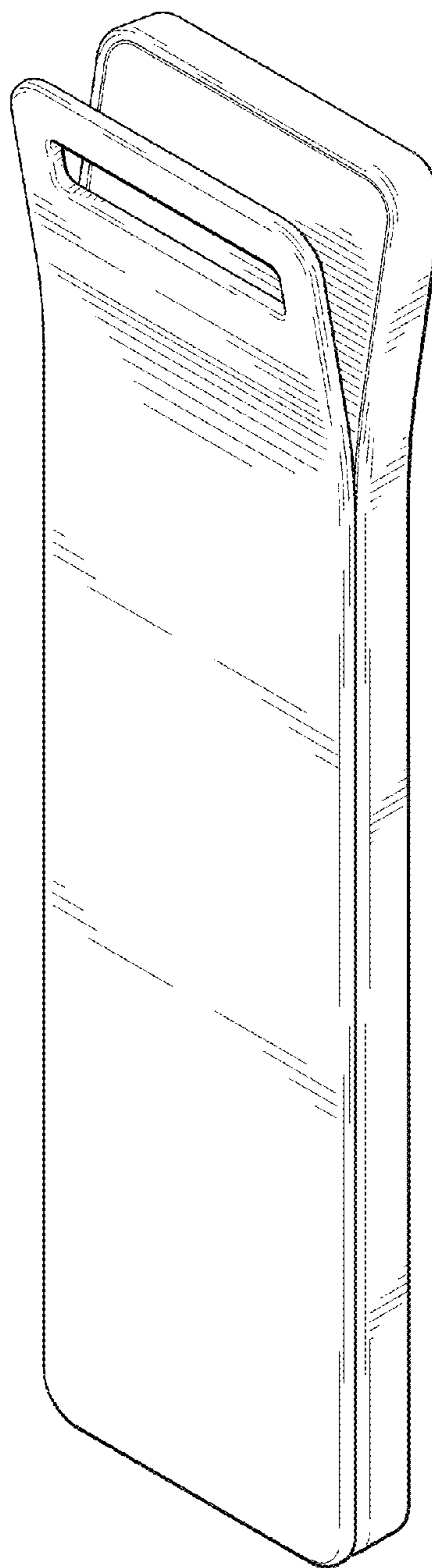


FIG. 7

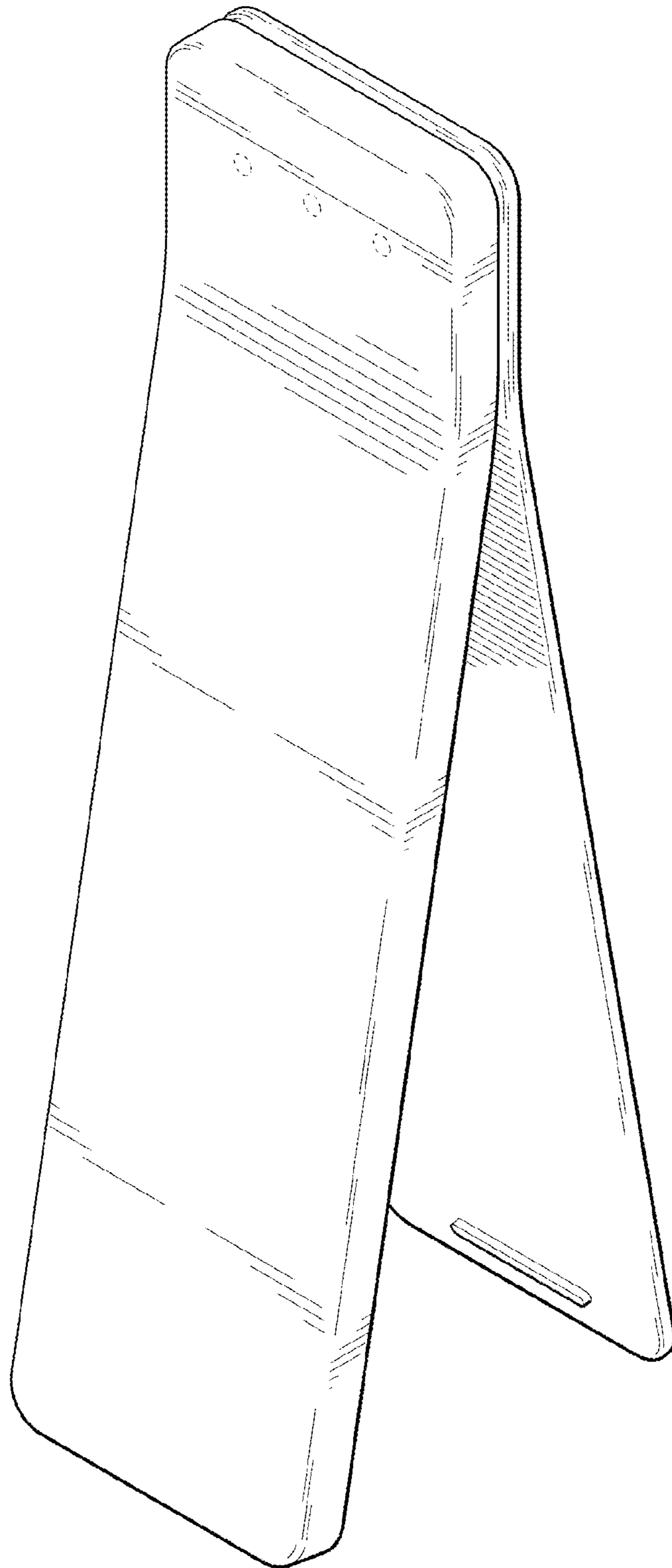


FIG. 8

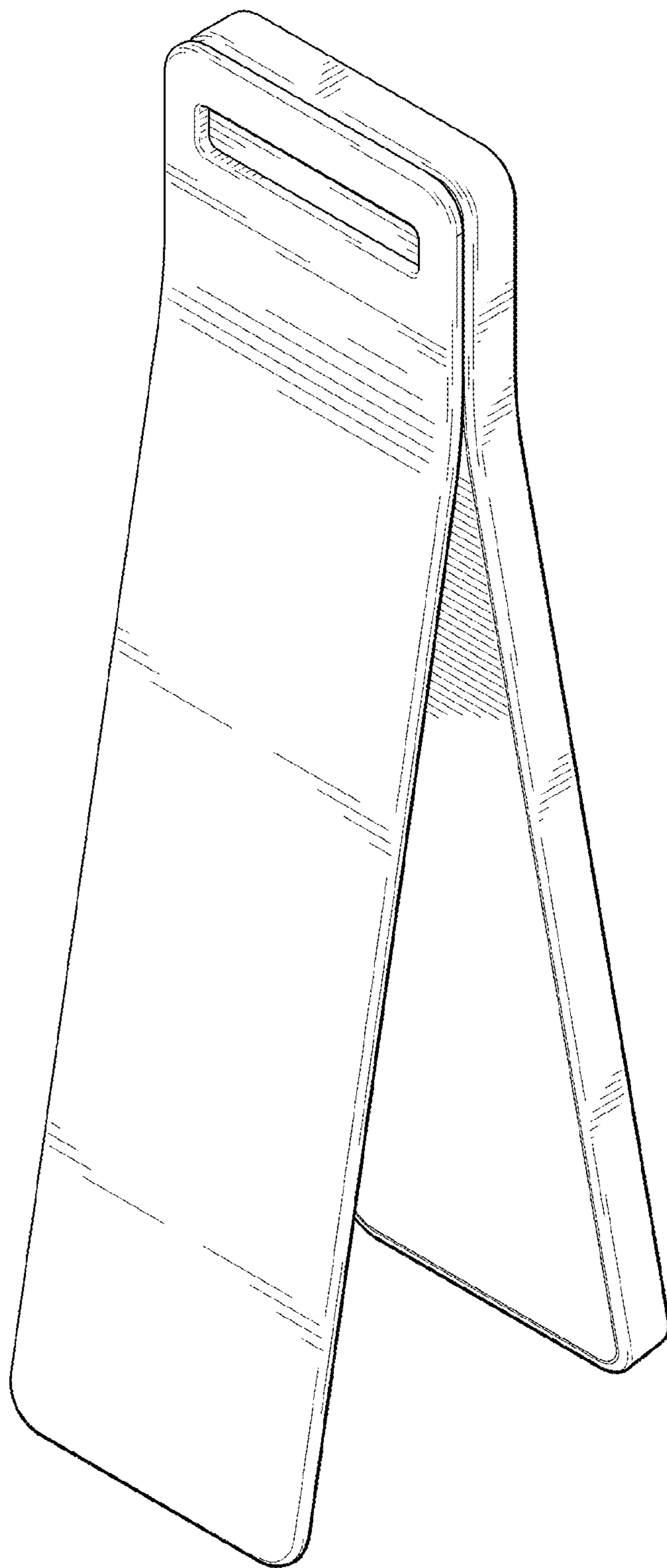


FIG. 9

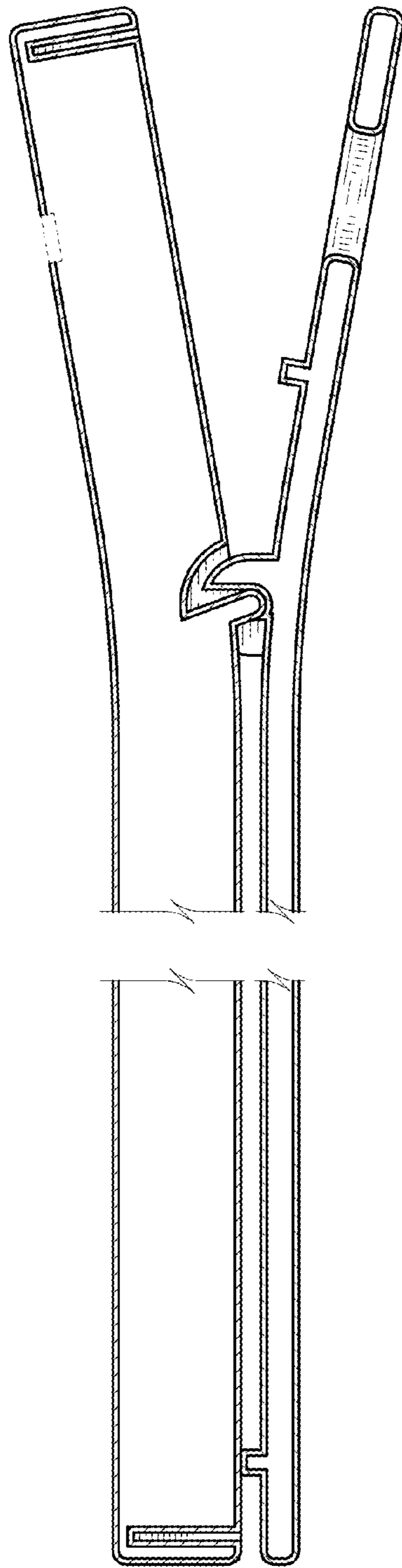


FIG. 10