



US00D697916S

(12) **United States Design Patent**
Dowd et al.

(10) **Patent No.:** **US D697,916 S**
(45) **Date of Patent:** **** Jan. 21, 2014**

- (54) **MULTIFUNCTIONAL STYLUS**
- (71) Applicant: **Adobe Systems Incorporated**, San Jose, CA (US)
- (72) Inventors: **Geoffrey Dowd**, San Francisco, CA (US); **Steve Sangik Lee**, Walnut Creek, CA (US)
- (73) Assignee: **Adobe Systems Incorporated**, San Jose, CA (US)
- (**) Term: **14 Years**
- (21) Appl. No.: **29/453,913**
- (22) Filed: **May 3, 2013**
- (51) **LOC (10) Cl.** **14-02**
- (52) **U.S. Cl.**
USPC **D14/411**
- (58) **Field of Classification Search**
USPC D8/61; D14/411; D19/35, 36, 41-51, D19/54-58; 401/55, 99, 100, 104-107, 196, 401/197, 202, 208, 209, 213, 192, 195, 401/243; 708/107; 345/179, 173; 178/19.01; 700/94
See application file for complete search history.

D419,541 S *	1/2000	Kawashima	D14/431
D472,924 S *	4/2003	Pan	D19/49
D522,579 S *	6/2006	Sim	D19/36
D585,489 S *	1/2009	Han	D19/36
D615,588 S *	5/2010	Hillemann	D19/45
D615,589 S *	5/2010	Hillemann	D19/45
D641,755 S *	7/2011	Rashid et al.	D14/411
D681,038 S *	4/2013	Tomohiro	D14/411

* cited by examiner

Primary Examiner — Austin Murphy

(74) *Attorney, Agent, or Firm* — Schwegman Lundberg Woessner P.A.

(57) **CLAIM**

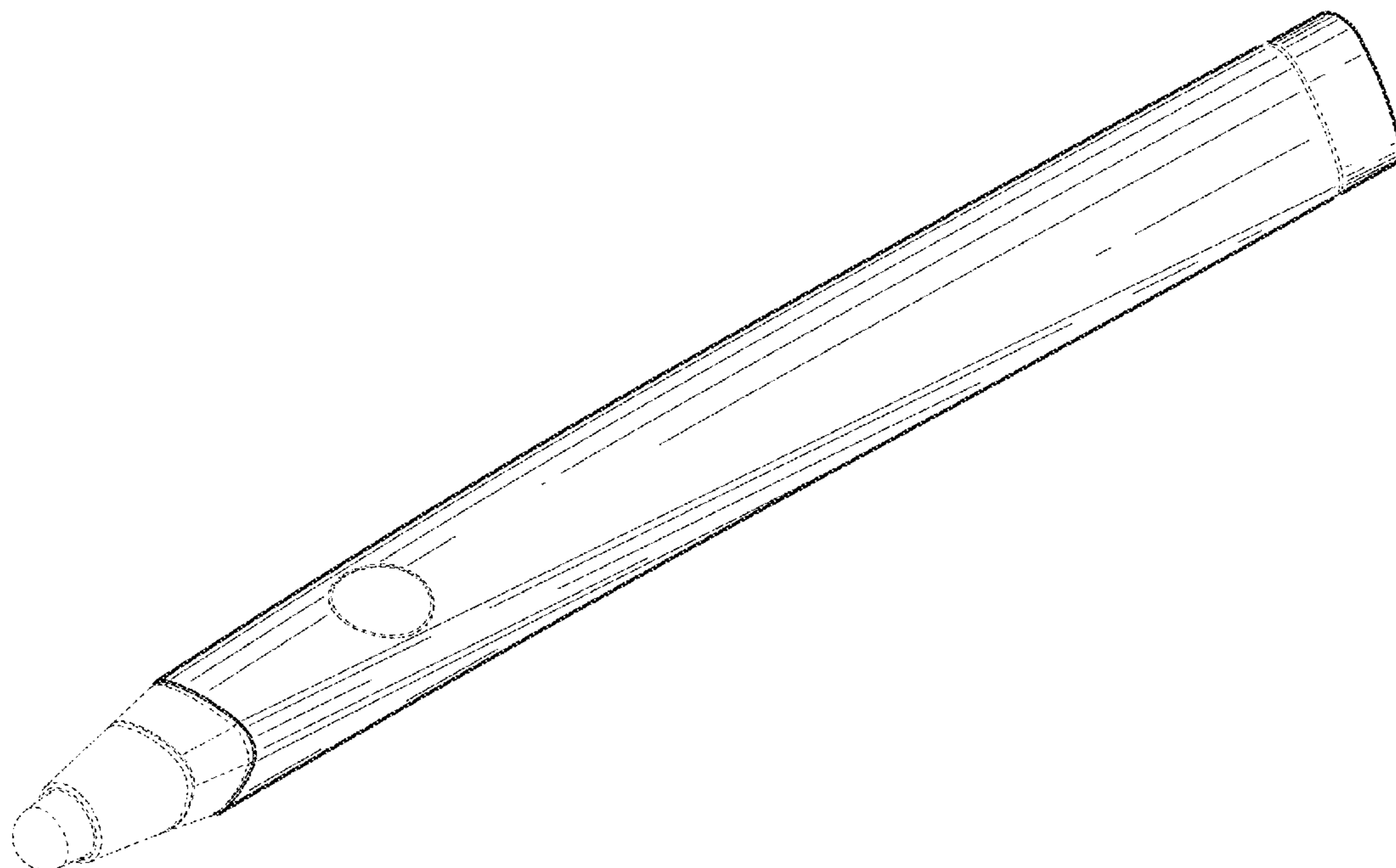
The ornamental design for a multifunctional stylus, as shown and described.

DESCRIPTION

FIG. 1 is a perspective view of a multifunctional stylus.
 FIG. 2 is a top plan view of an end of the multifunctional stylus.
 FIG. 3 is a bottom plan view of the other end of the multifunctional stylus.
 FIG. 4 is a first side view of the multifunctional stylus.
 FIG. 5 is a second side view of the multifunctional stylus.
 FIG. 6 is a third side view of the multifunctional stylus.
 FIG. 7 is a fourth side view of the multifunctional stylus; and,
 FIG. 8 is perspective view of a multifunctional stylus.
 Subject matter shown in broken lines is environmental and forms no part of the claimed design.

1 Claim, 3 Drawing Sheets

- (56) **References Cited**
U.S. PATENT DOCUMENTS
D294,263 S * 2/1988 Rodgers et al. D14/411
D327,476 S * 6/1992 Valls et al. D14/411



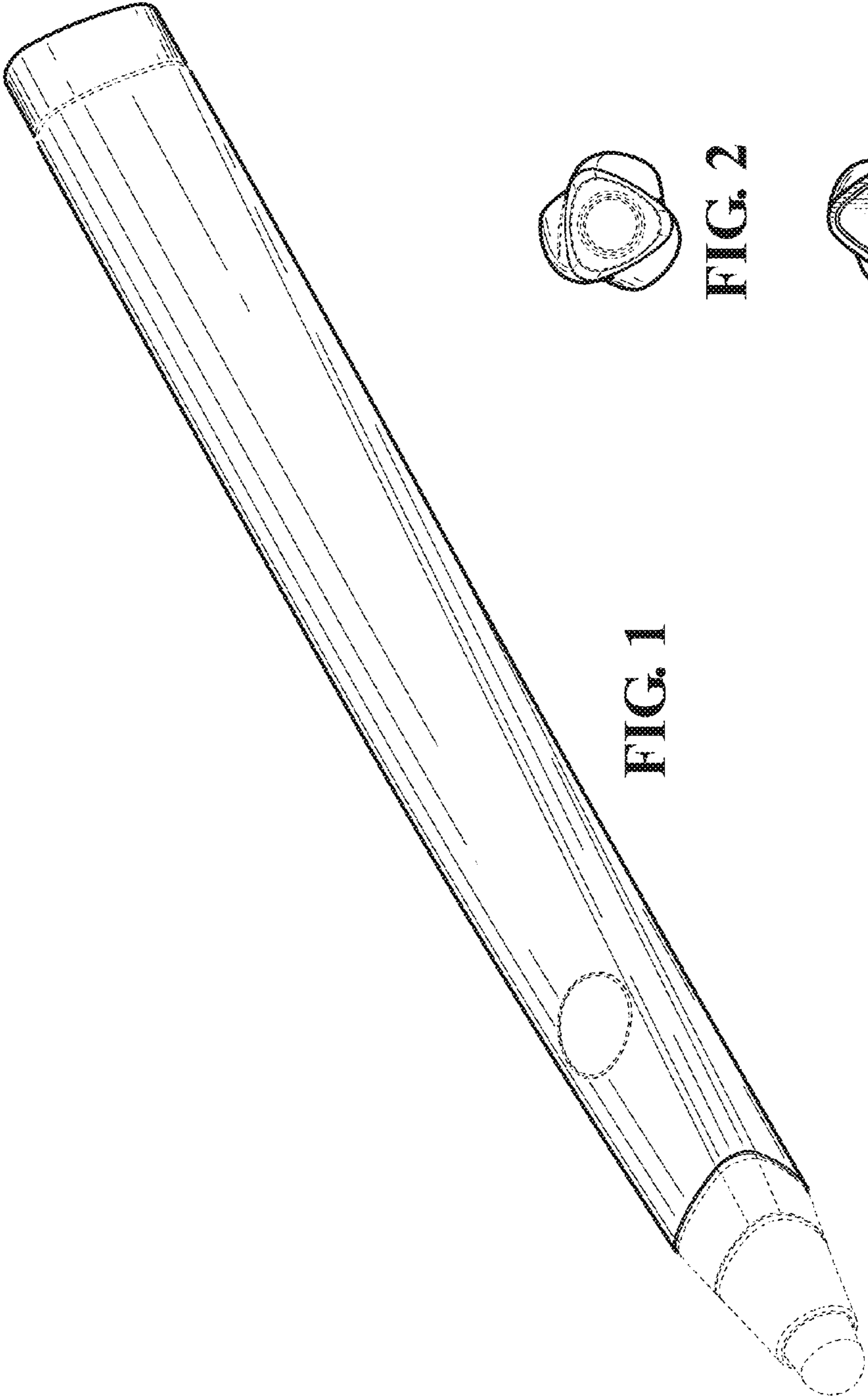


FIG. 1

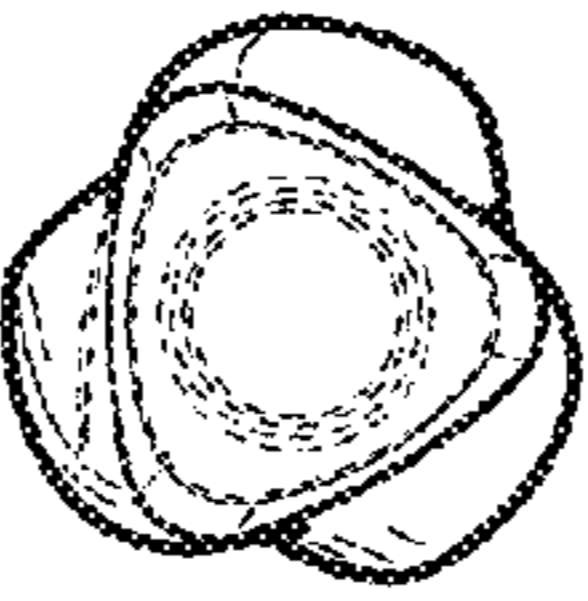


FIG. 2

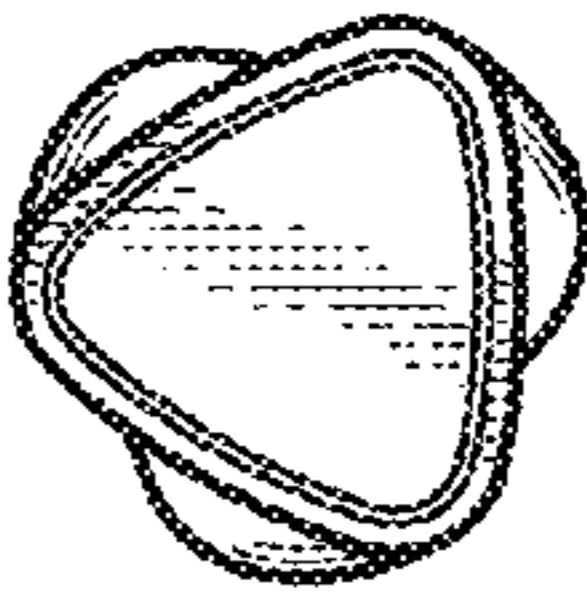


FIG. 3

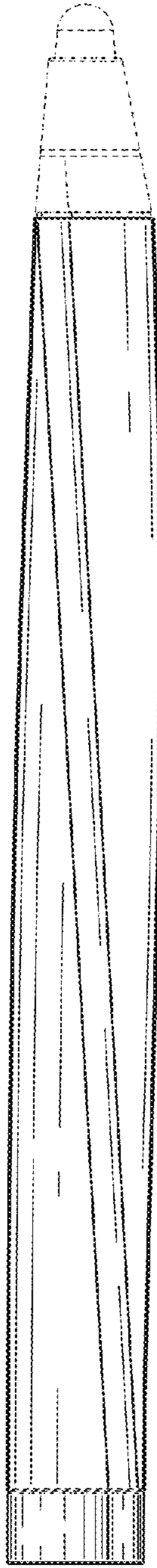


FIG. 4

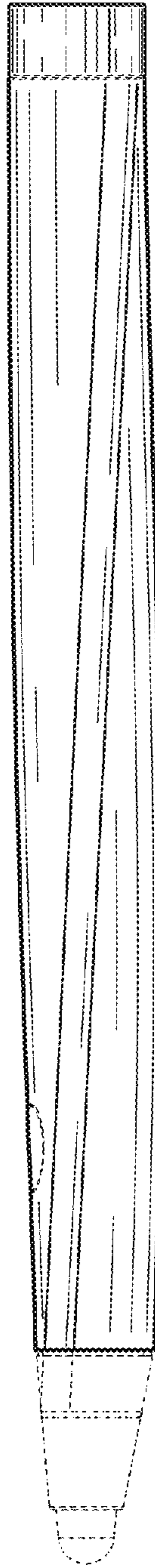


FIG. 5

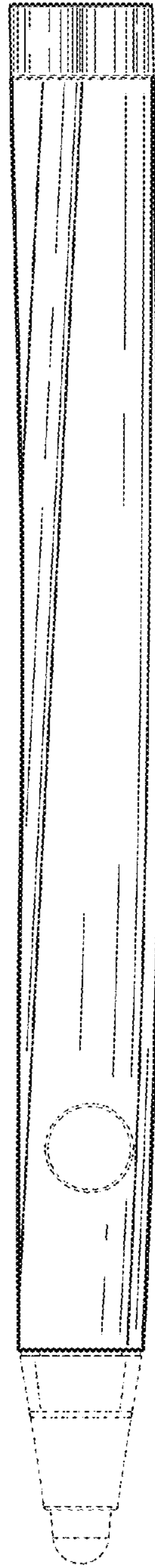


FIG. 6

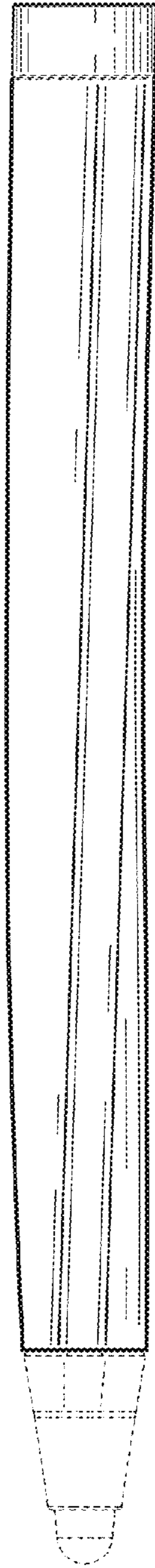


FIG. 7

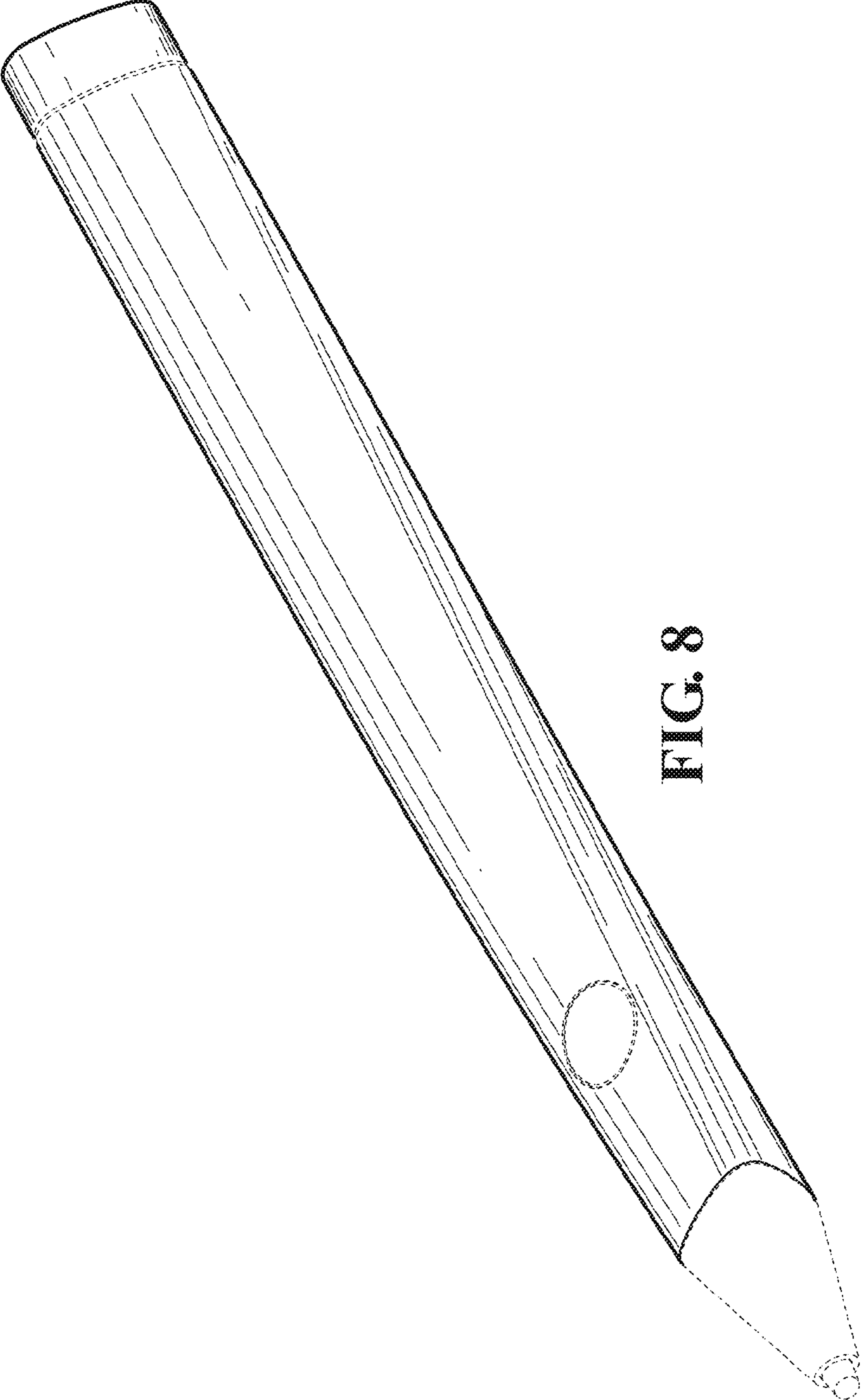


FIG. 8

UNITED STATES PATENT AND TRADEMARK OFFICE
CERTIFICATE OF CORRECTION

PATENT NO. : D697,916 S
APPLICATION NO. : 29/453913
DATED : January 21, 2014
INVENTOR(S) : Dowd et al.

Page 1 of 1

It is certified that error appears in the above-identified patent and that said Letters Patent is hereby corrected as shown below:

On the title page, in "Description", in column 2, line 9, delete "stylus; and," and insert --stylus.--,
therefor

Signed and Sealed this
Third Day of June, 2014



Michelle K. Lee
Deputy Director of the United States Patent and Trademark Office