

US00D697912S

(12) **United States Design Patent**
Nelson, Jr. et al.

(10) **Patent No.:** **US D697,912 S**
(45) **Date of Patent:** **** Jan. 21, 2014**

(54) **CARD SLOT BEZEL**

(71) Applicant: **Diebold Self-Service Systems division of Diebold, Incorporated**, North Canton, OH (US)

(72) Inventors: **Donald S. Nelson, Jr.**, Akron, OH (US); **David N. Lewis**, Canal Fulton, OH (US); **Shawn Griggy**, North Canton, OH (US); **George Niemoeller**, Canal Fulton, OH (US)

(73) Assignee: **Diebold Self-Service Systems, division of Diebold, Incorporated**, North Canton, OH (US)

(**) Term: **14 Years**

(21) Appl. No.: **29/439,363**

(22) Filed: **Dec. 10, 2012**

(51) **LOC (10) Cl.** **14-02**

(52) **U.S. Cl.**
USPC **D14/385**

(58) **Field of Classification Search**
USPC D24/232, 216, 186, 169, 107; D14/496, D14/432, 420, 385, 384, 383, 399; D13/108; D10/104.1, 106.95; 726/9; 422/82.01; 382/124; 235/375, 379; D99/28

See application file for complete search history.

(56) **References Cited**

U.S. PATENT DOCUMENTS

D665,802	S	*	8/2012	Nelson et al.	D14/385
D672,347	S	*	12/2012	Nelson et al.	D14/385
D672,771	S	*	12/2012	Nelson et al.	D14/385
D672,772	S	*	12/2012	Nelson et al.	D14/385
D672,773	S	*	12/2012	Nelson et al.	D14/385
D672,774	S	*	12/2012	Nelson et al.	D14/385
D672,775	S	*	12/2012	Nelson et al.	D14/385
D673,149	S	*	12/2012	Nelson et al.	D14/385
D673,150	S	*	12/2012	Nelson et al.	D14/385
D681,637	S	*	5/2013	Nelson et al.	D14/385

* cited by examiner

Primary Examiner — Austin Murphy

(74) *Attorney, Agent, or Firm* — Black, McCuskey, Souers & Arbaugh, LPA

(57) **CLAIM**

The ornamental design for a card slot bezel, as shown and described.

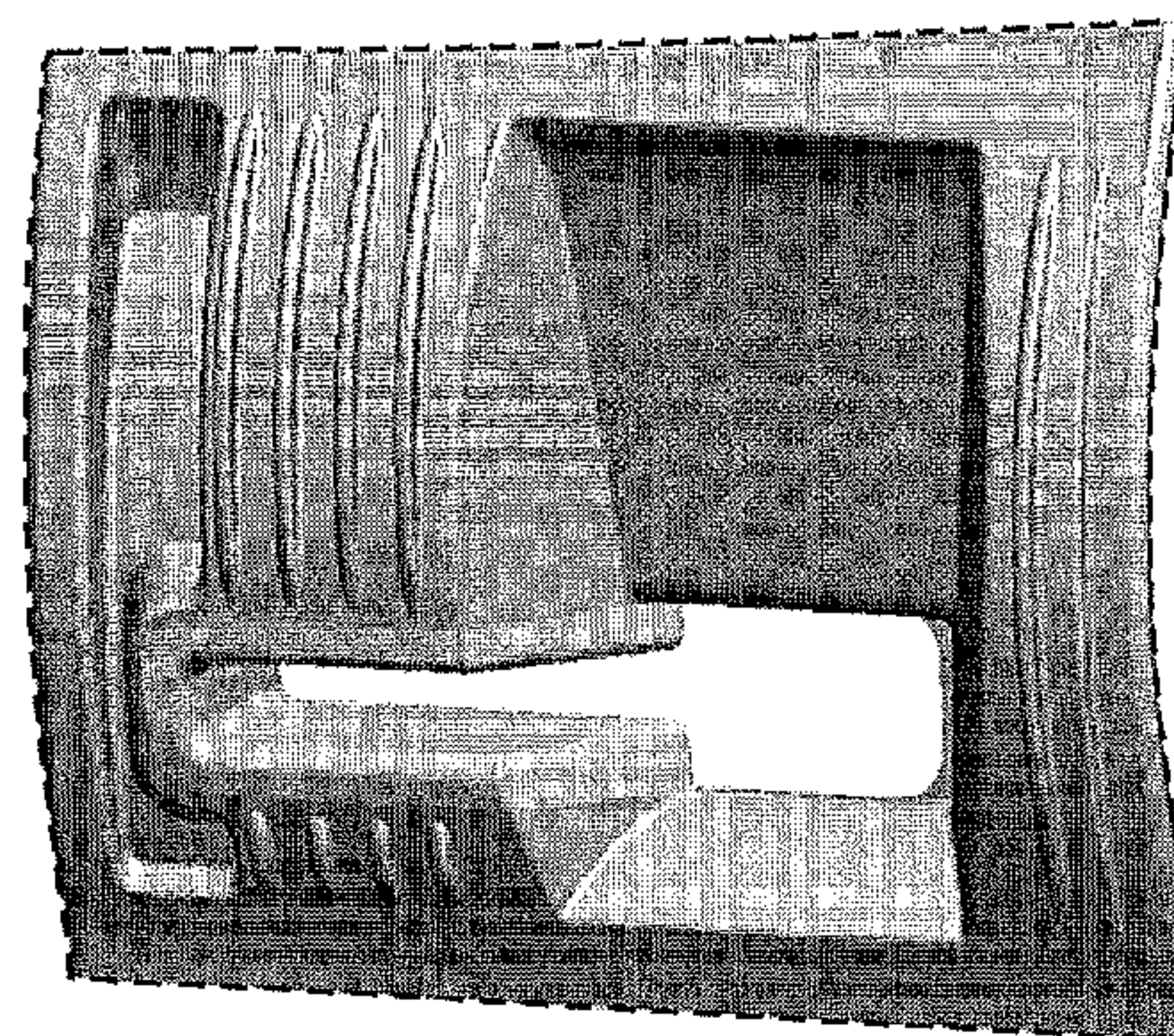
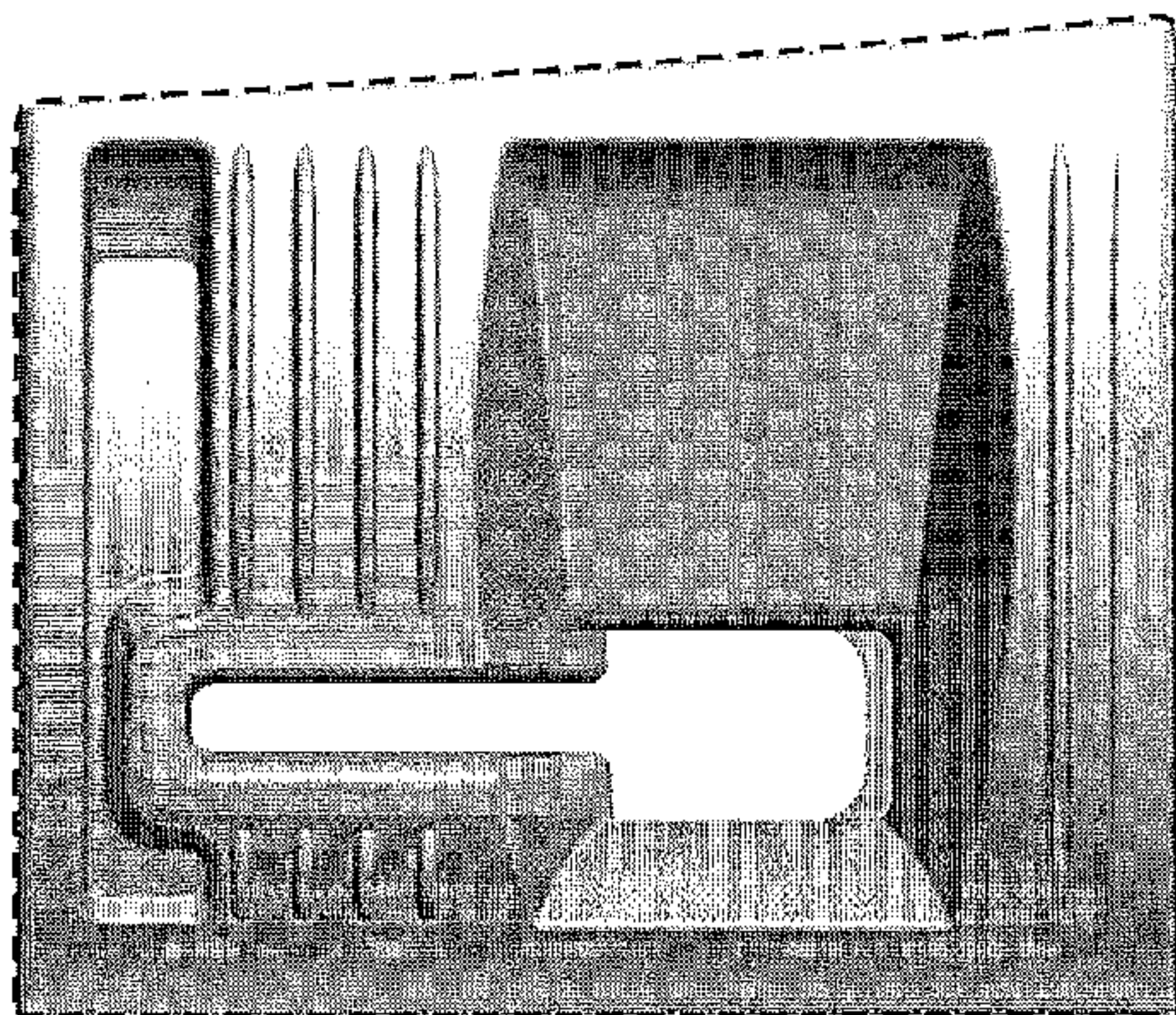
DESCRIPTION

FIG. 1 is a front view showing my new design for a card slot bezel.

FIG. 2 is a top, front, left side perspective view thereof; and, FIG. 3 is a top, front, right side perspective view thereof.

The broken lines adjacent the shaded areas represent the boundaries of the claimed design. Also, the rear view forms no part of the claimed design.

1 Claim, 1 Drawing Sheet



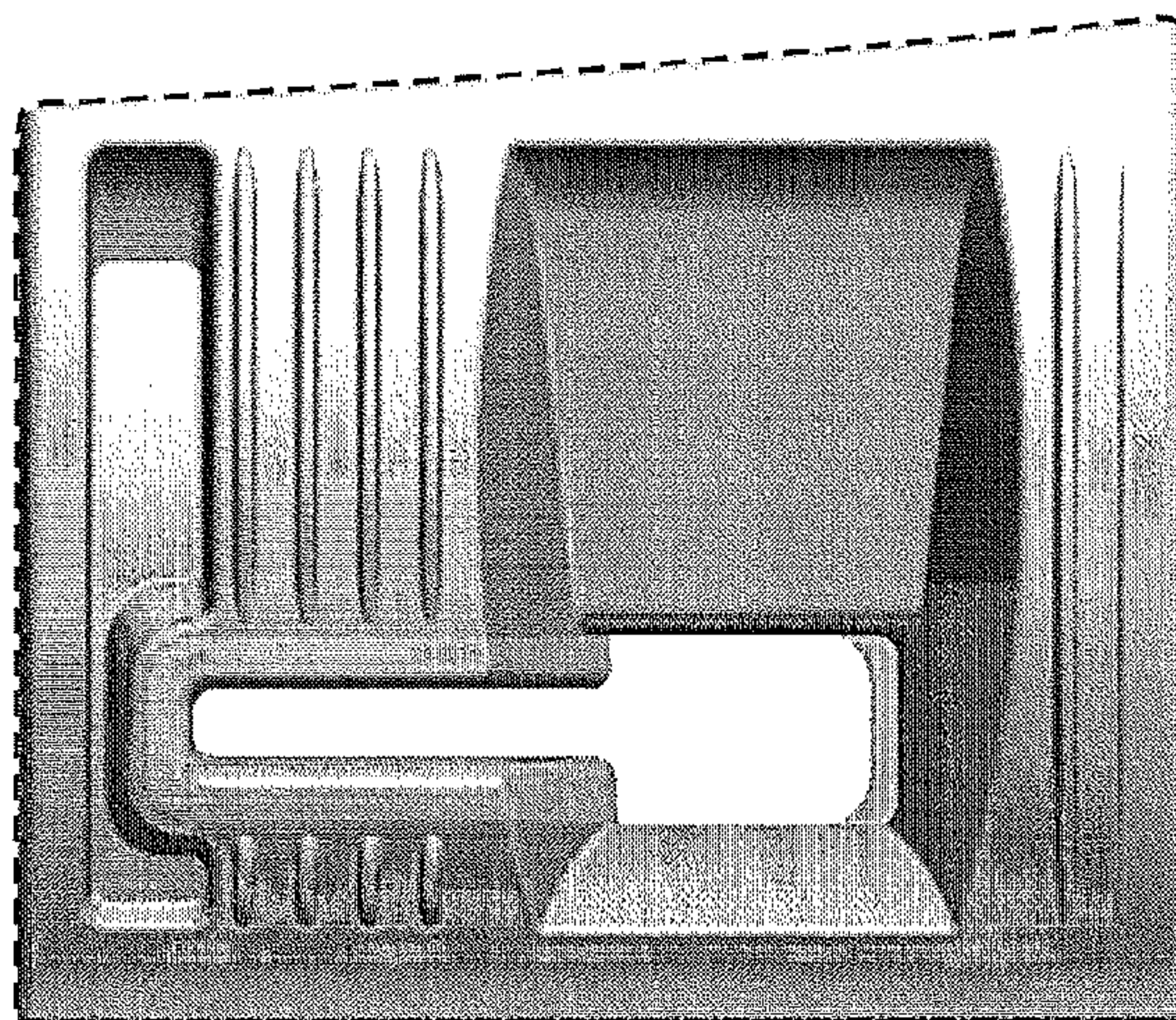


FIG. 1

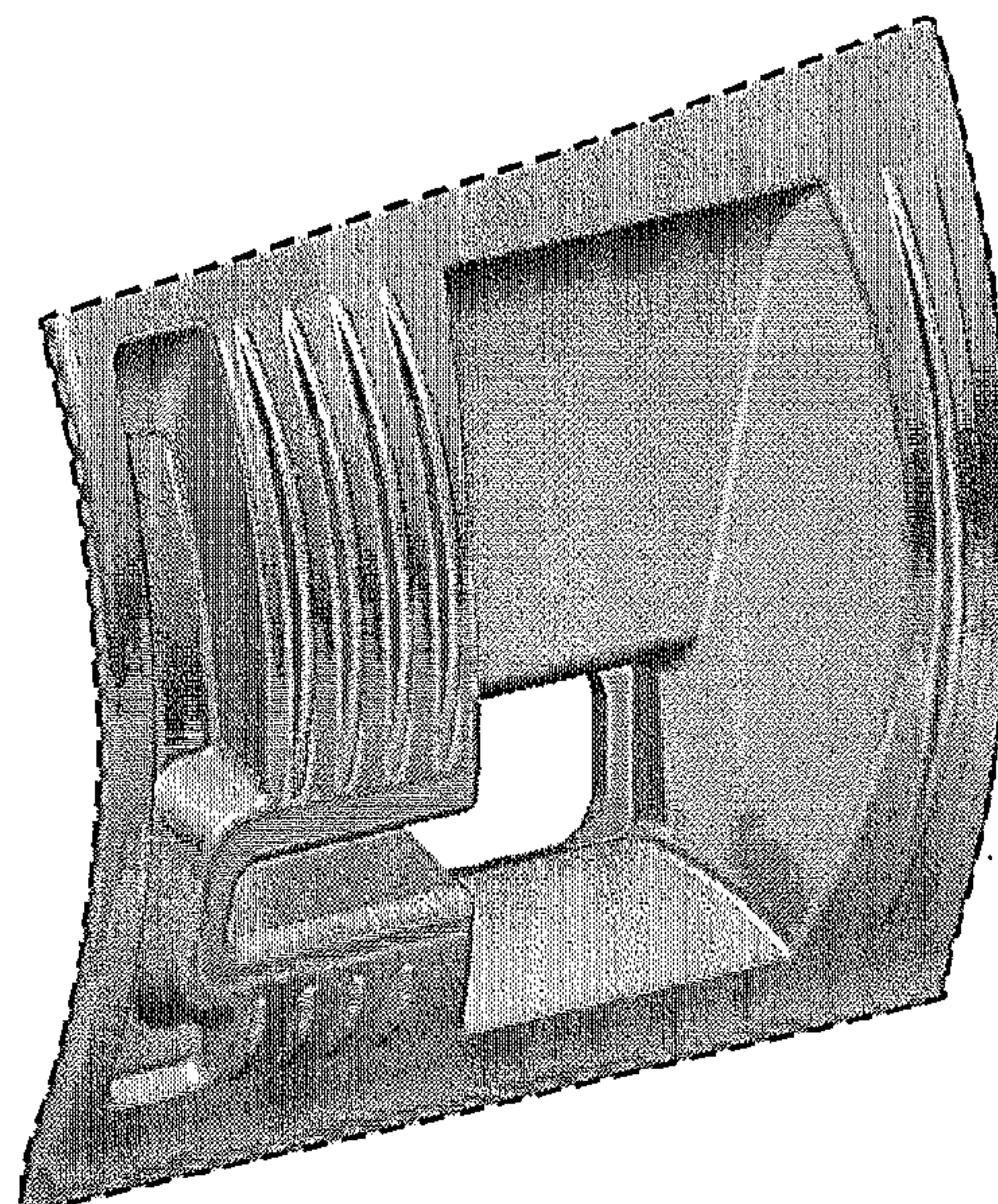


FIG. 2

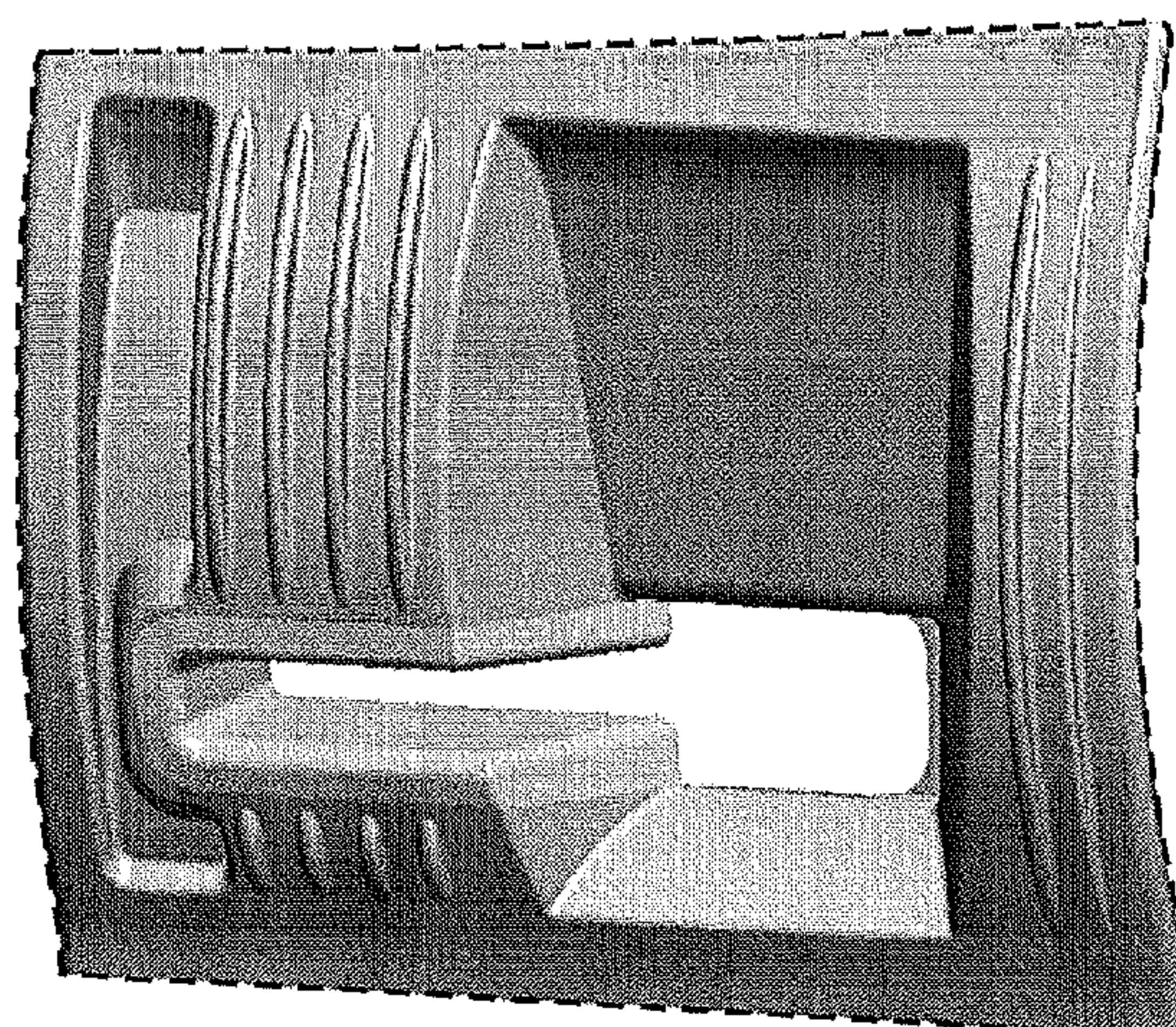


FIG. 3