



US00D697910S

(12) **United States Design Patent**
Bianco et al.

(10) **Patent No.:** **US D697,910 S**
(45) **Date of Patent:** **** Jan. 21, 2014**

(54) **TOUCH SCREEN TERMINAL FOR TIME AND ATTENDANCE SYSTEM**

(56) **References Cited**

U.S. PATENT DOCUMENTS

(71) Applicants: **James S. Bianco**, Suffield, CT (US);
David Palmer, Holyoke, MA (US);
William G. Lucas, Jr., Suffield, CT (US)

4,862,151 A *	8/1989	Grauz et al.	345/173
D451,535 S *	12/2001	Lee	D18/4.6
D456,020 S *	4/2002	Obata et al.	D14/336
D514,565 S *	2/2006	Haygood	D14/371
D564,374 S *	3/2008	Wada	D10/65
D585,056 S *	1/2009	Ekelund	D14/336
D601,354 S *	10/2009	Chu	D6/308
D673,952 S *	1/2013	Toda et al.	D14/383

(72) Inventors: **James S. Bianco**, Suffield, CT (US);
David Palmer, Holyoke, MA (US);
William G. Lucas, Jr., Suffield, CT (US)

* cited by examiner

Primary Examiner — Freda S Nunn

(73) Assignee: **Control Module, Inc.**, Enfield, CT (US)

(74) *Attorney, Agent, or Firm* — Alix, Yale & Ristas, LLP

(**) Term: **14 Years**

(57) **CLAIM**

The ornamental design for a touch screen terminal for time and attendance system, as shown and described.

(21) Appl. No.: **29/439,436**

DESCRIPTION

(22) Filed: **Dec. 11, 2012**

(51) **LOC (10) Cl.** **14-02**

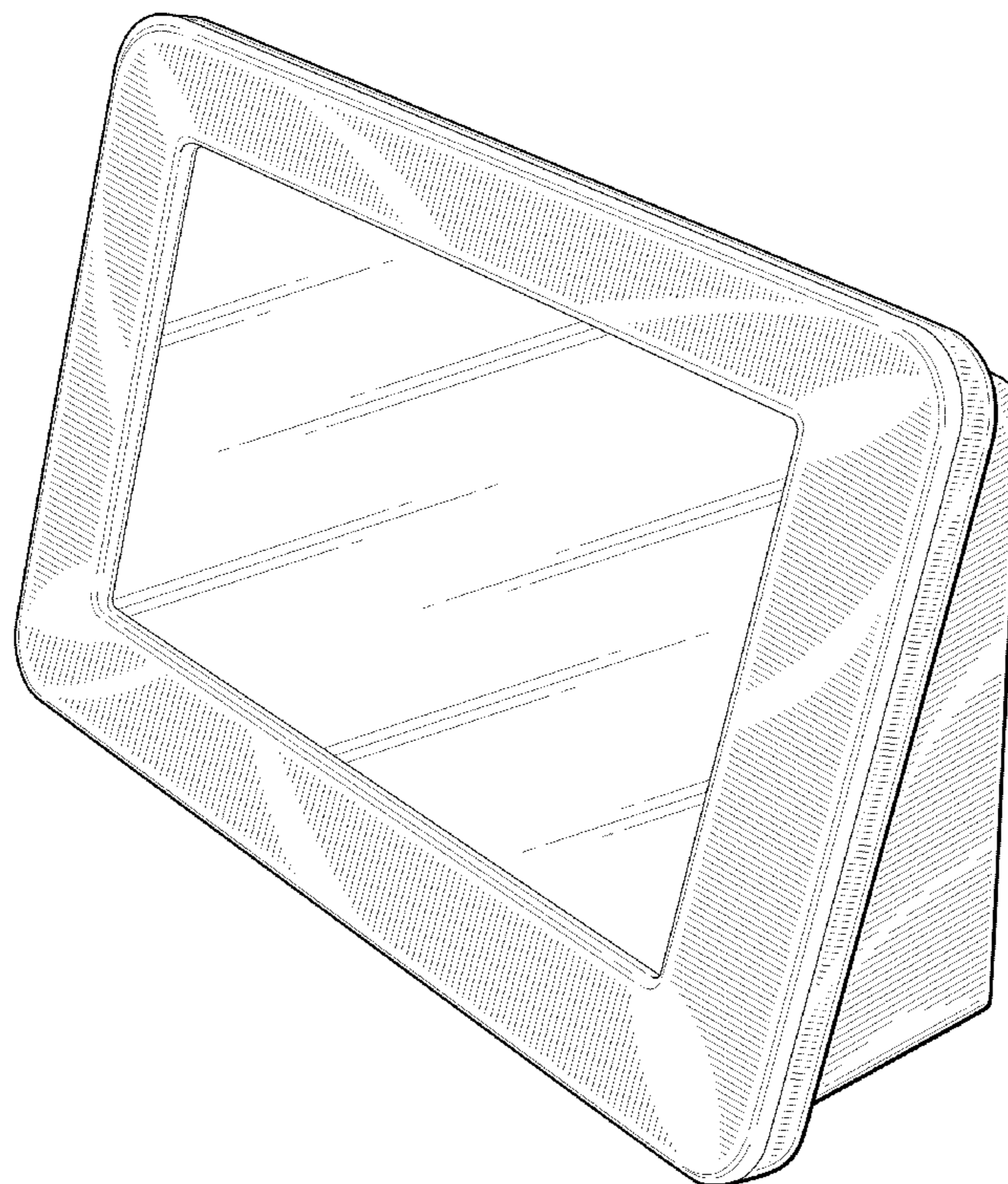
(52) **U.S. Cl.**
USPC **D14/336; D14/371**

(58) **Field of Classification Search**
USPC D14/371-375, 125-129, 336, 337;
341/12; 345/104, 156, 168, 173;
348/180, 184, 325, 739; 349/1, 2, 11,
349/62; 361/679.05-679.07, 679.21;
D6/300, 308

FIG. 1 is a perspective view of a touch screen terminal for time and attendance system showing our new design;
FIG. 2 is a front view thereof;
FIG. 3 is a rear view thereof;
FIG. 4 is a bottom plan view thereof;
FIG. 5 is a top plan view thereof;
FIG. 6 is a right side view thereof; and,
FIG. 7 is a left side view thereof.
The broken lines in the drawings illustrate unclaimed portions of the touch screen terminal for time and attendance system and form no part of the claimed design.

See application file for complete search history.

1 Claim, 3 Drawing Sheets



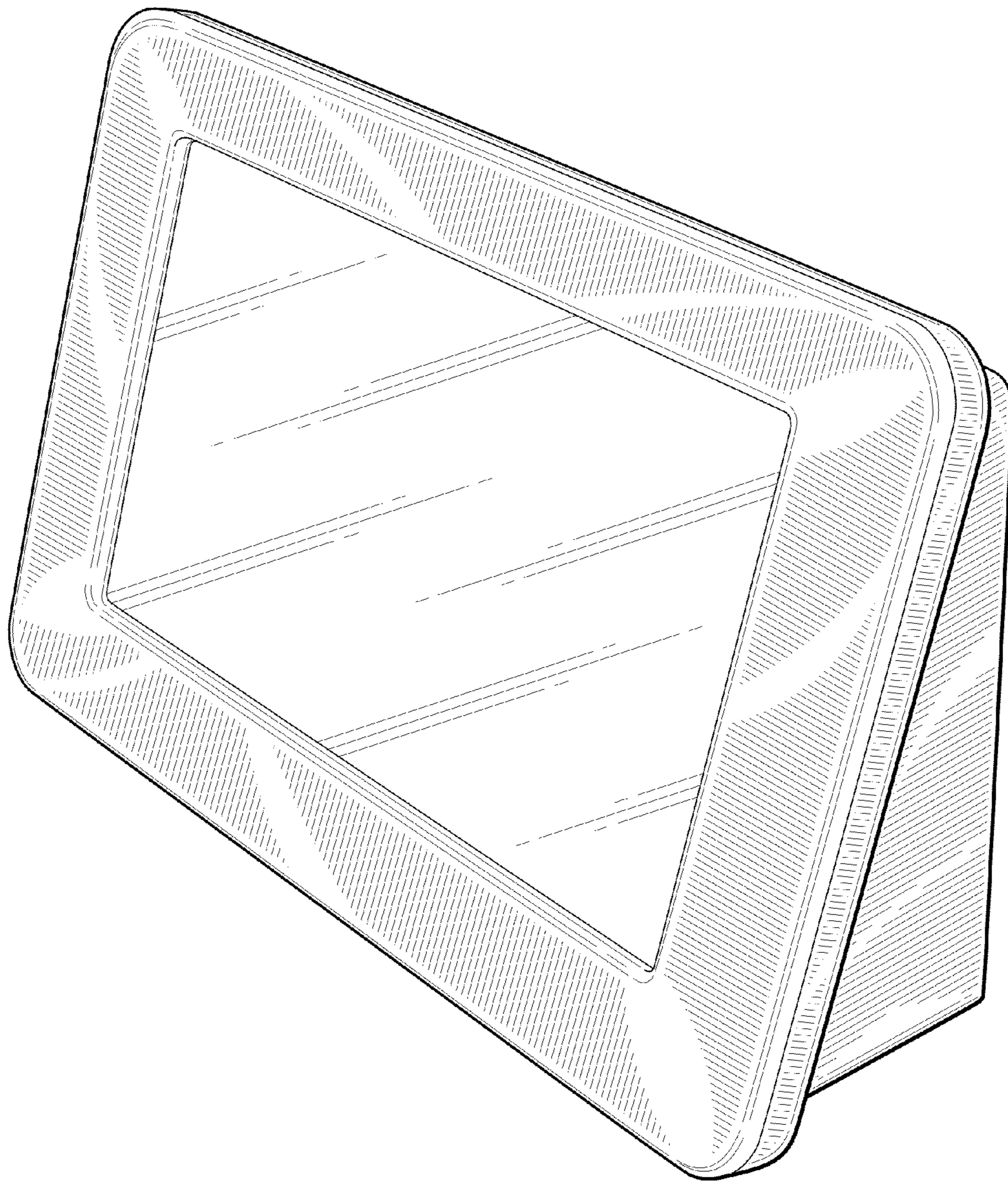


FIG. 1

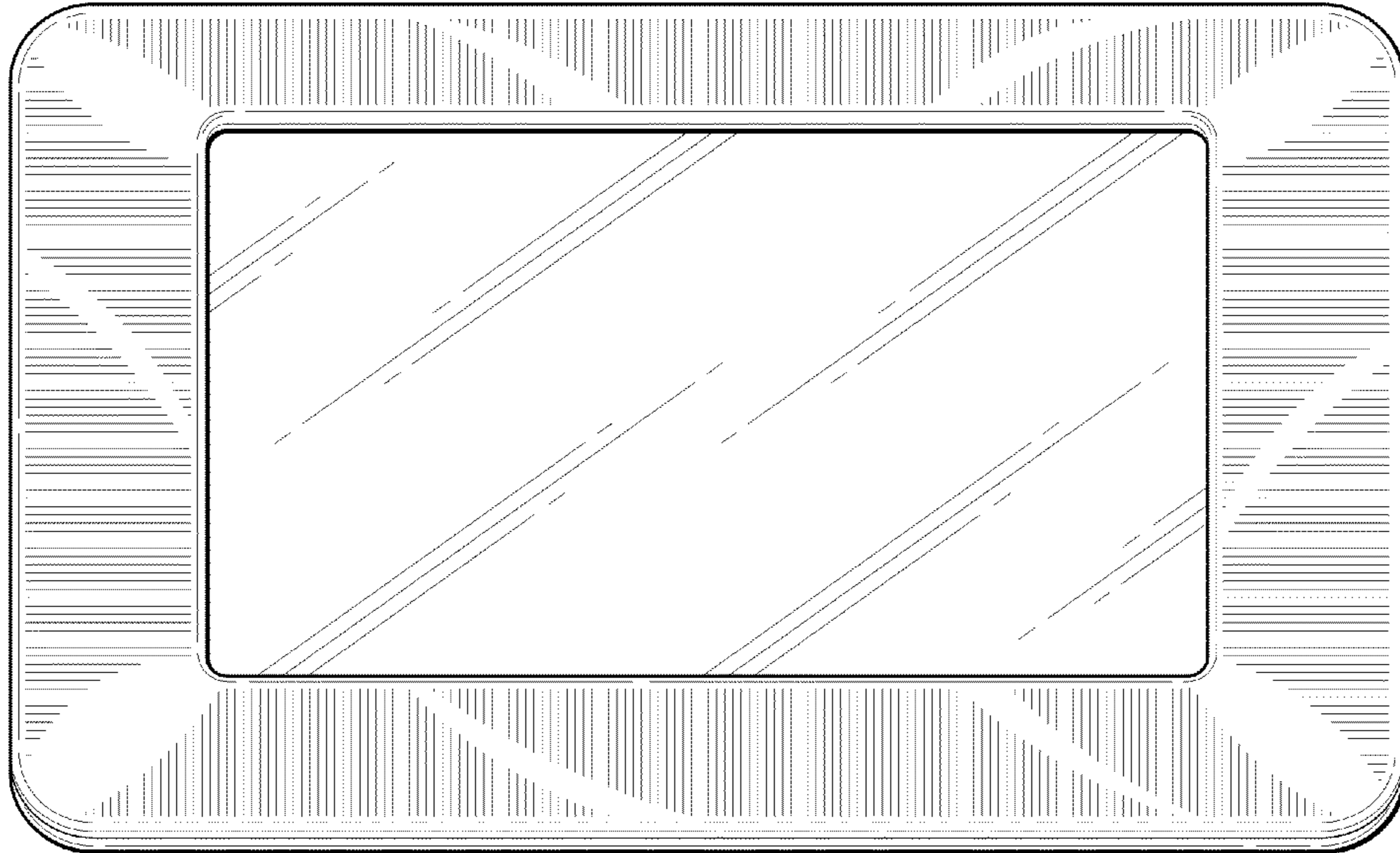


FIG. 2

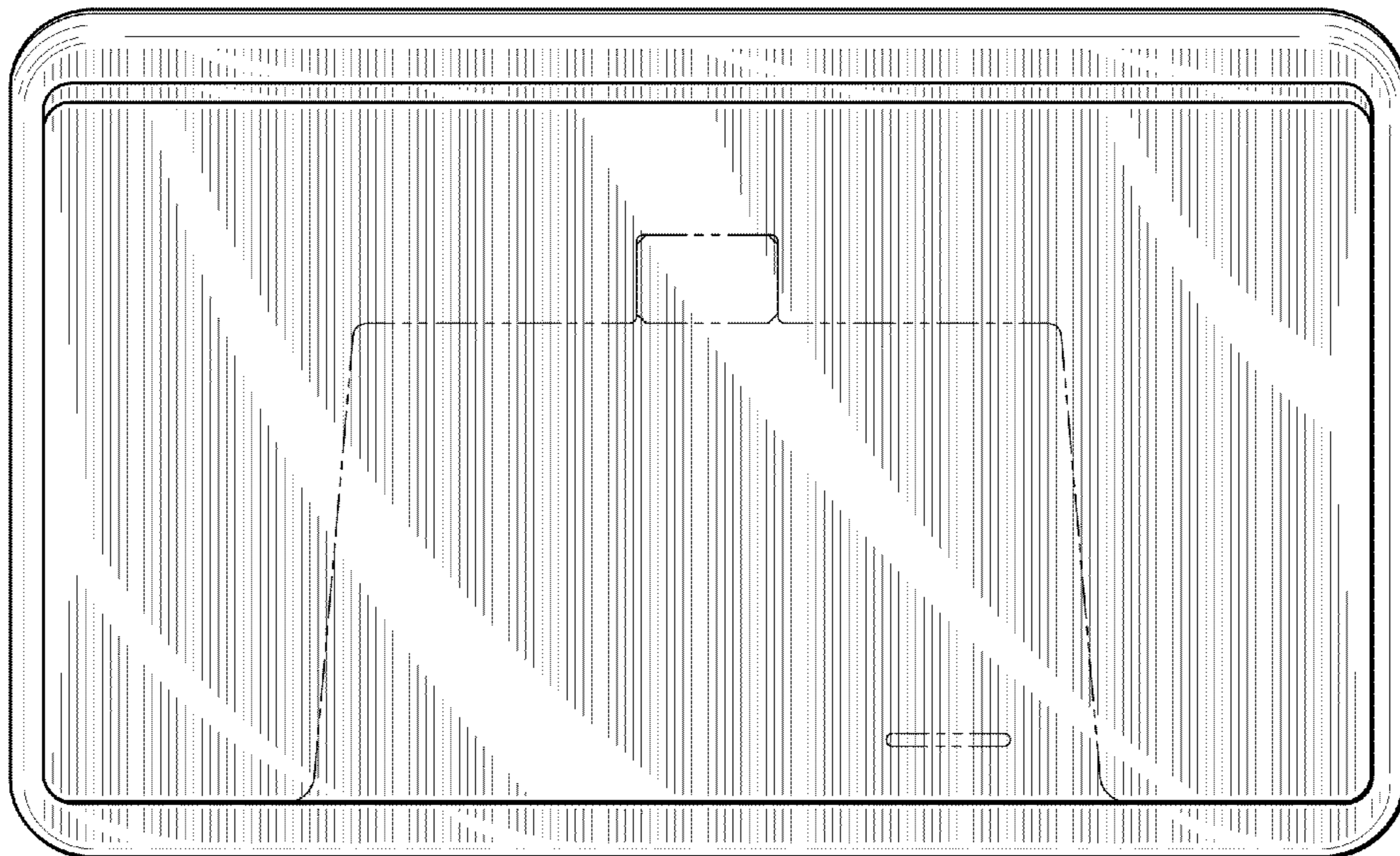


FIG. 3

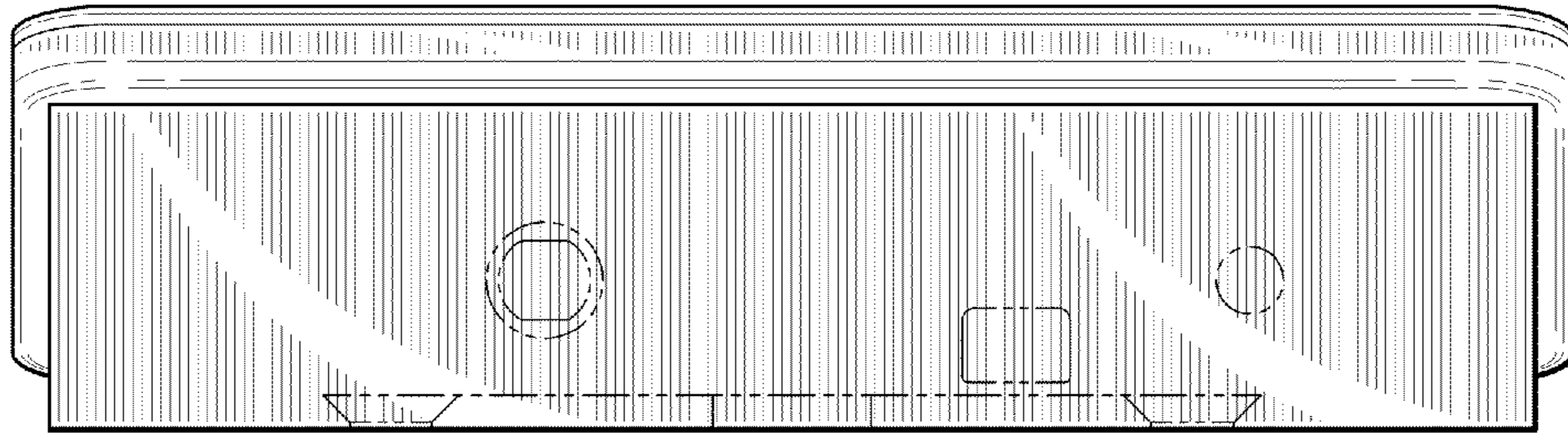


FIG. 4

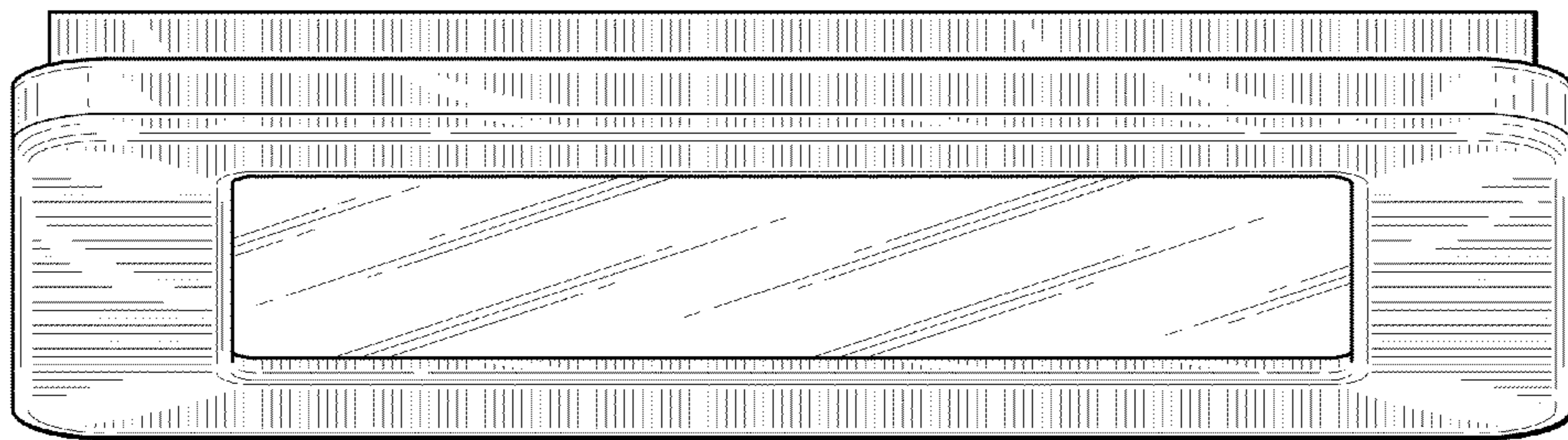


FIG. 5

FIG. 6

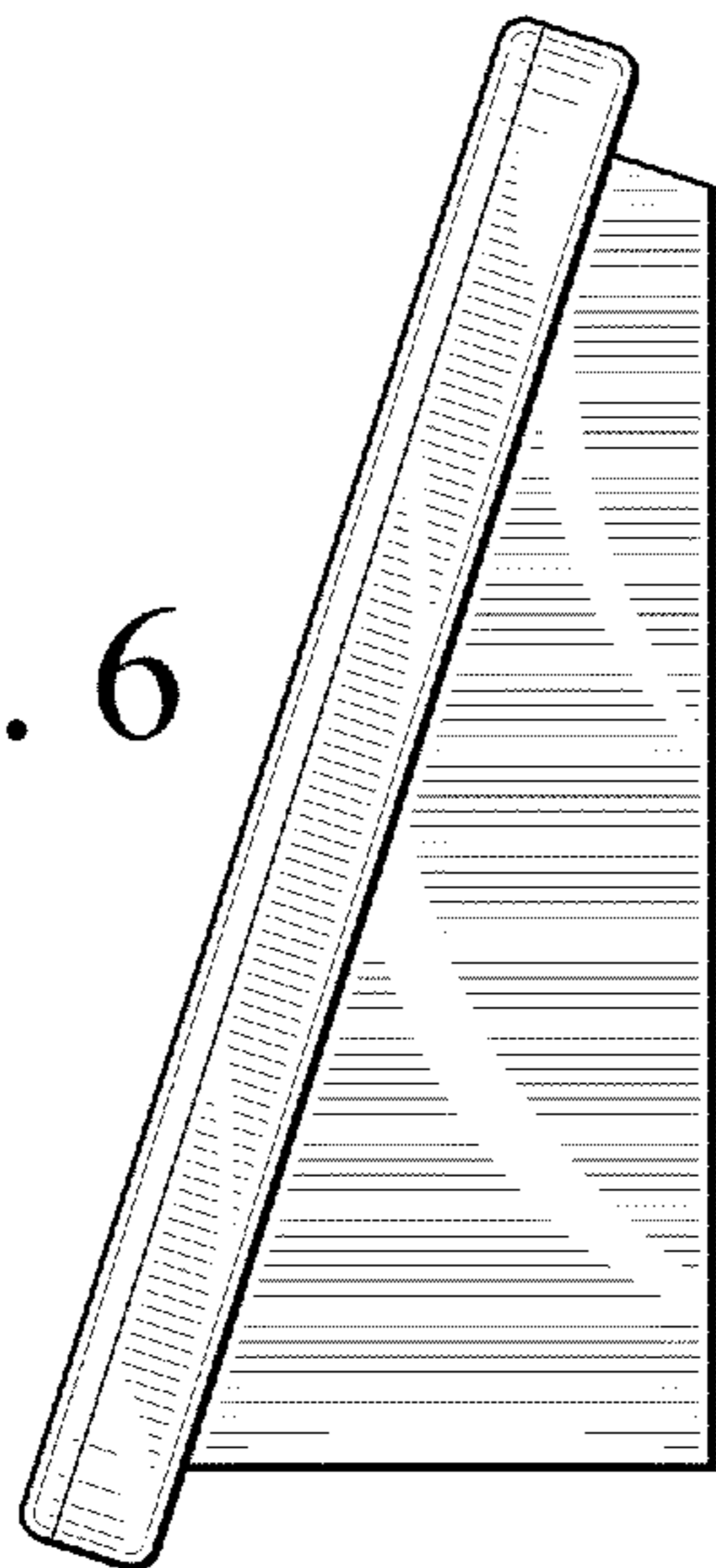


FIG. 7

