



US00D697899S

(12) **United States Design Patent**  
**Paddock**

(10) **Patent No.:** **US D697,899 S**  
(45) **Date of Patent:** **\*\* Jan. 21, 2014**

(54) **SPEAKER**

**DESCRIPTION**

(75) Inventor: **Thomas L. Paddock**, Truckee, CA (US)  
(73) Assignee: **Sound Research Corporation**, Truckee, CA (US)  
(\*\*) Term: **14 Years**  
(21) Appl. No.: **29/416,304**  
(22) Filed: **Mar. 20, 2012**  
(51) **LOC (10) Cl.** ..... **14-03**  
(52) **U.S. Cl.**  
USPC ..... **D14/215**  
(58) **Field of Classification Search**  
USPC ..... 781/168, 172, 194-196, 204, 207,  
781/209.1, 210-216, 221, 222; 181/143,  
181/144, 147, 148, 150, 153, 157, 198,  
181/199; 381/300-303, 306, 332, 333, 336,  
381/345, 361-364, 386-388  
See application file for complete search history.

FIG. 1 is a perspective view of a left side, front, and top of a speaker showing my new design;  
FIG. 2 is a front elevational view thereof;  
FIG. 3 is a back elevational view thereof;  
FIG. 4 is a left side elevational view thereof; the right side elevational view being a mirror image of the left side elevational view;  
FIG. 5 is a top view thereof;  
FIG. 6 is a bottom elevational view thereof;  
FIG. 7 is a front elevational view of a second embodiment of a speaker showing my new design, in which an annulus is lined for transparent, semi-transparent or translucent;  
FIG. 8 is a front elevational view of a third embodiment of a speaker showing my new design, in which an annulus is lined for red or pink;  
FIG. 9 is a front elevational view of a fourth embodiment of a speaker showing my new design, in which an annulus is lined for blue;  
FIG. 10 is a front elevational view of a fifth embodiment of a speaker showing my new design, in which an annulus is lined for white;  
FIG. 11 is a front elevational view of a sixth embodiment of a speaker showing my new design, in which an annulus is lined for green;  
FIG. 12 is a front elevational view of a seventh embodiment of a speaker showing my new design, in which an annulus is lined for yellow; and,  
FIG. 13 is a front elevational view of a third embodiment of a speaker showing my new design, in which an annulus is lined for purple or violet.  
The undisclosed views of the second embodiment (FIG. 7), the third embodiment (FIG. 8), the fourth embodiment (FIG. 9), the fifth embodiment (FIG. 10), the sixth embodiment (FIG. 11), the seventh embodiment (FIG. 12), and the eighth embodiment (FIG. 13) are the same as disclosed in FIGS. 1 and 3-6 with the exception of the featured colors, transparency, semi-transparency or translucence.

(56) **References Cited**

**U.S. PATENT DOCUMENTS**

D535,287 S *	1/2007	Patel	.....	D14/215
D578,109 S *	10/2008	Han	.....	D14/215
D585,437 S *	1/2009	Yagihashi	.....	D14/257
D590,812 S *	4/2009	Muraoka et al.	.....	D14/215
D601,545 S *	10/2009	Joseph	.....	D14/209.1
D648,319 S *	11/2011	Chen	.....	D14/211
D676,025 S *	2/2013	Davies et al.	.....	D14/215

\* cited by examiner

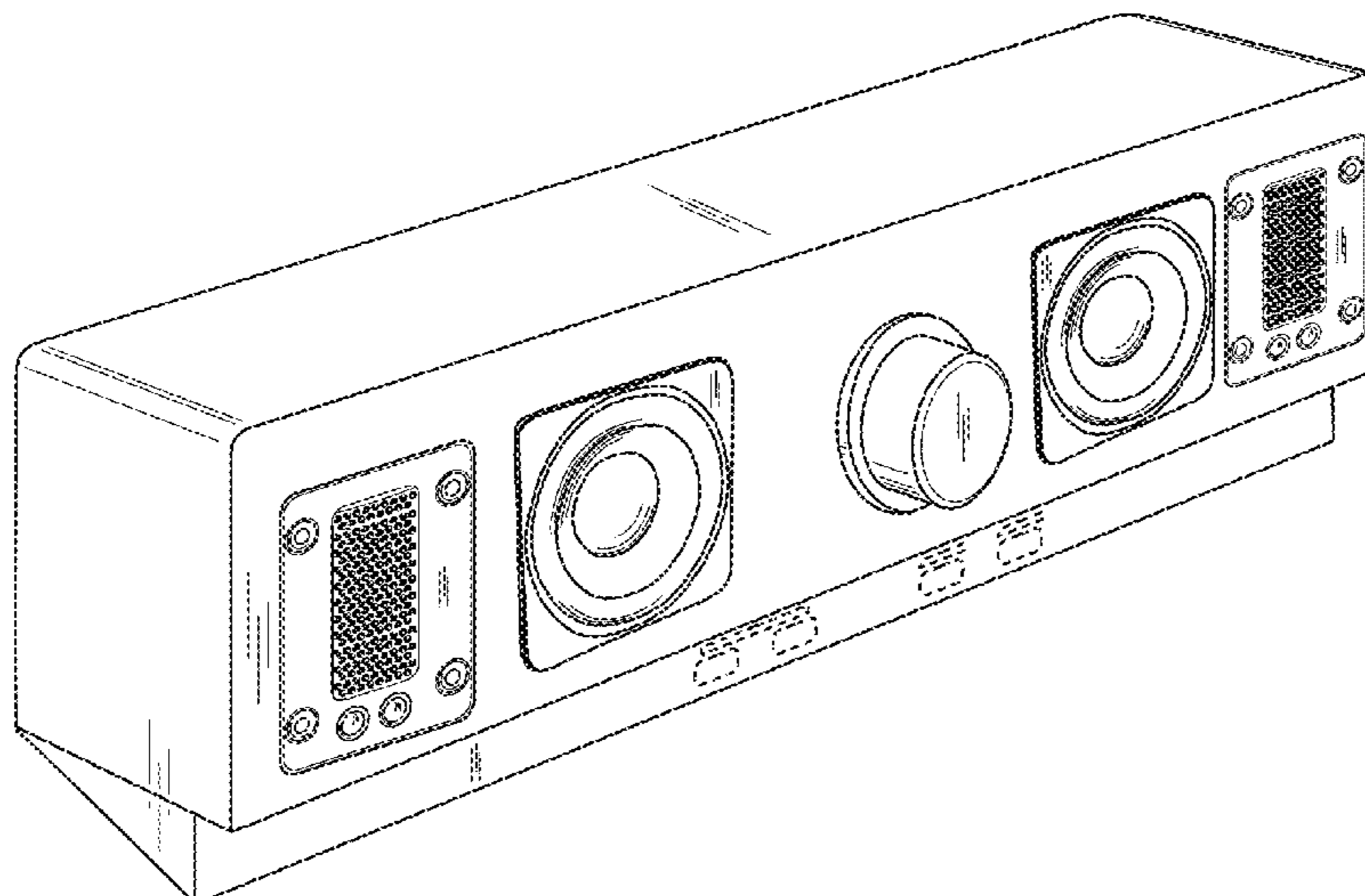
*Primary Examiner* — Keli L Hill

(74) *Attorney, Agent, or Firm* — Edward B. Weller

(57) **CLAIM**

The ornamental design for a speaker, as shown and described.

**1 Claim, 7 Drawing Sheets**



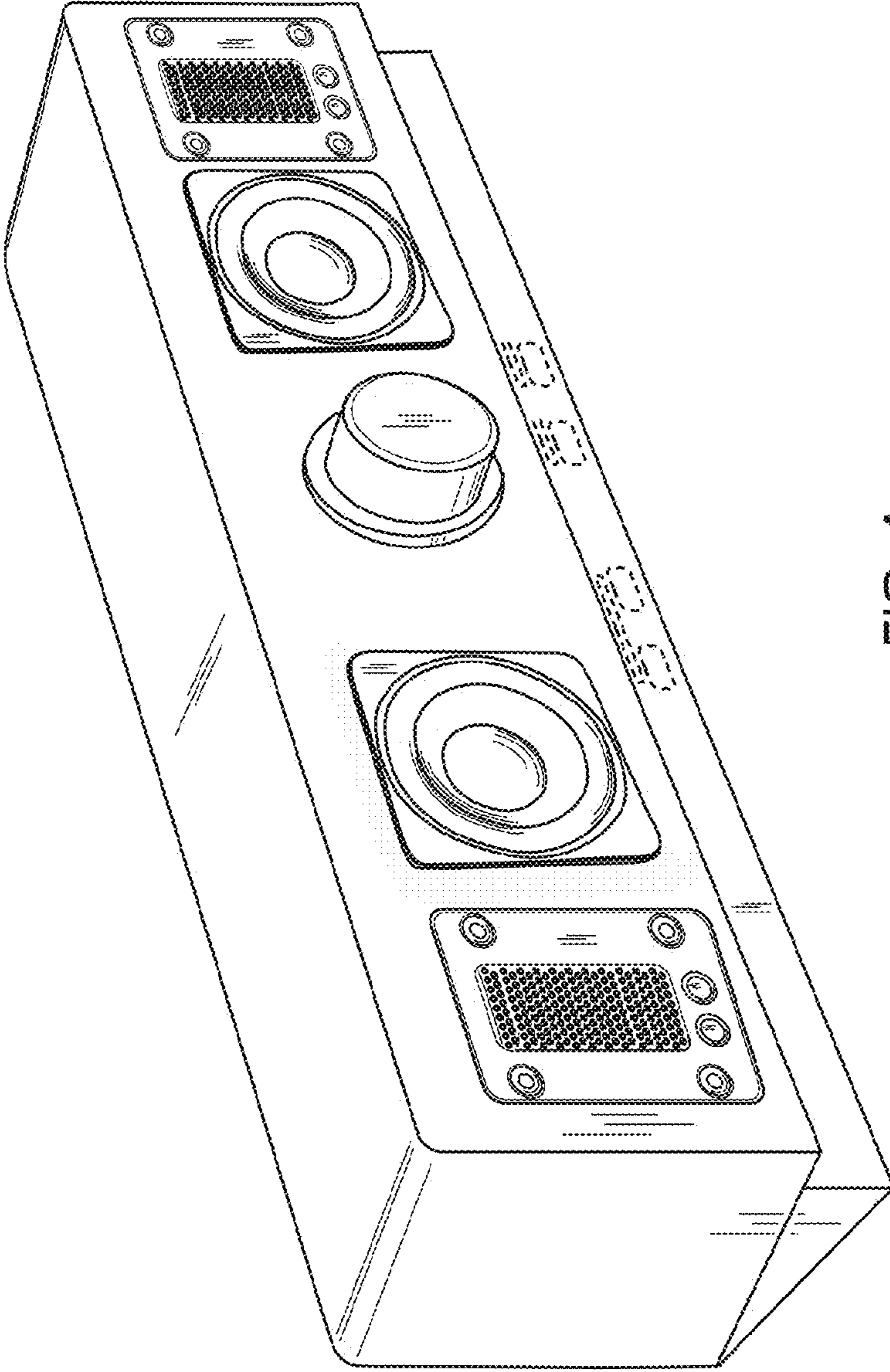


FIG. 1

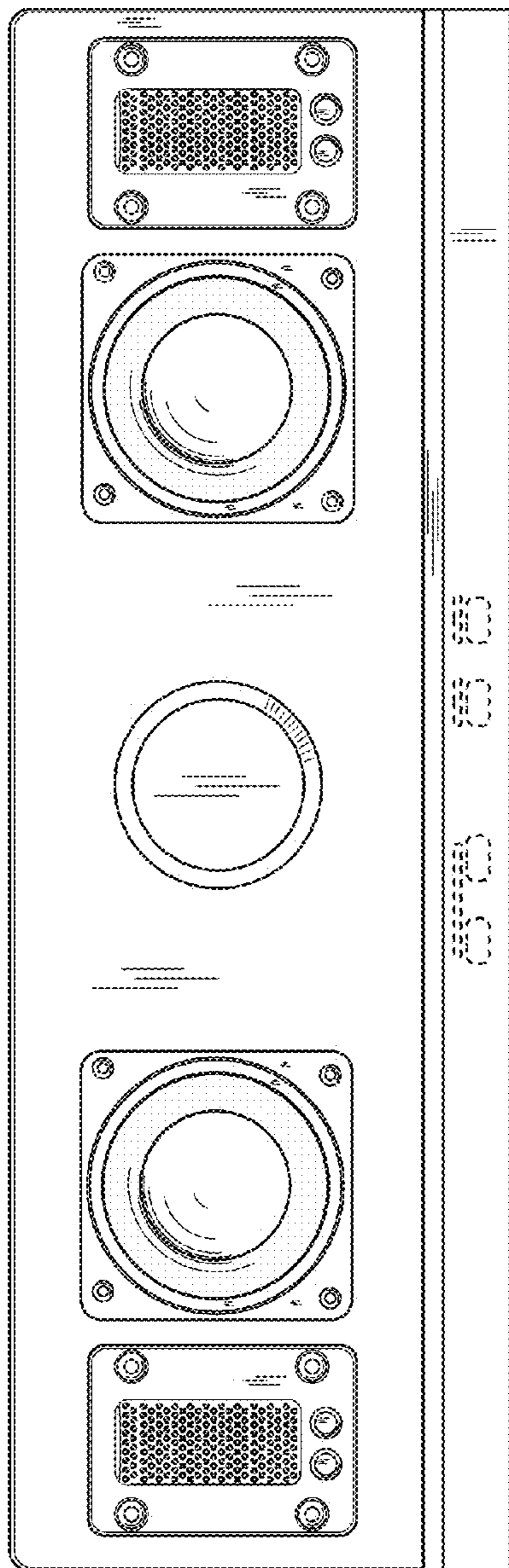


FIG. 2

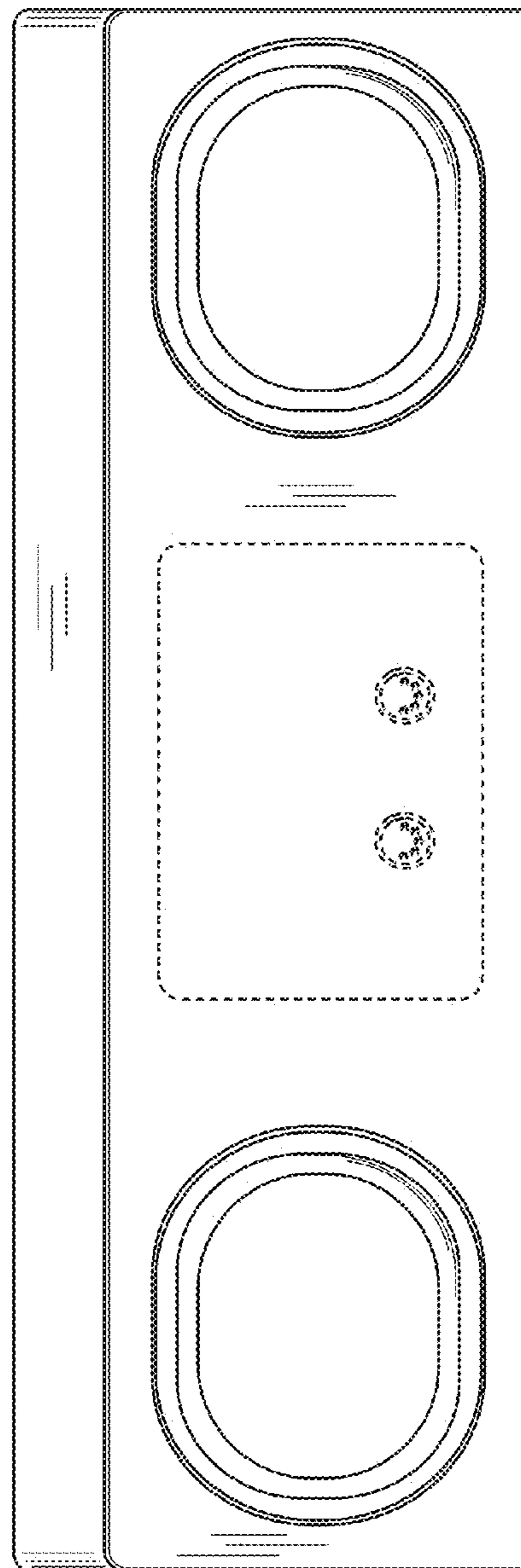


FIG. 3

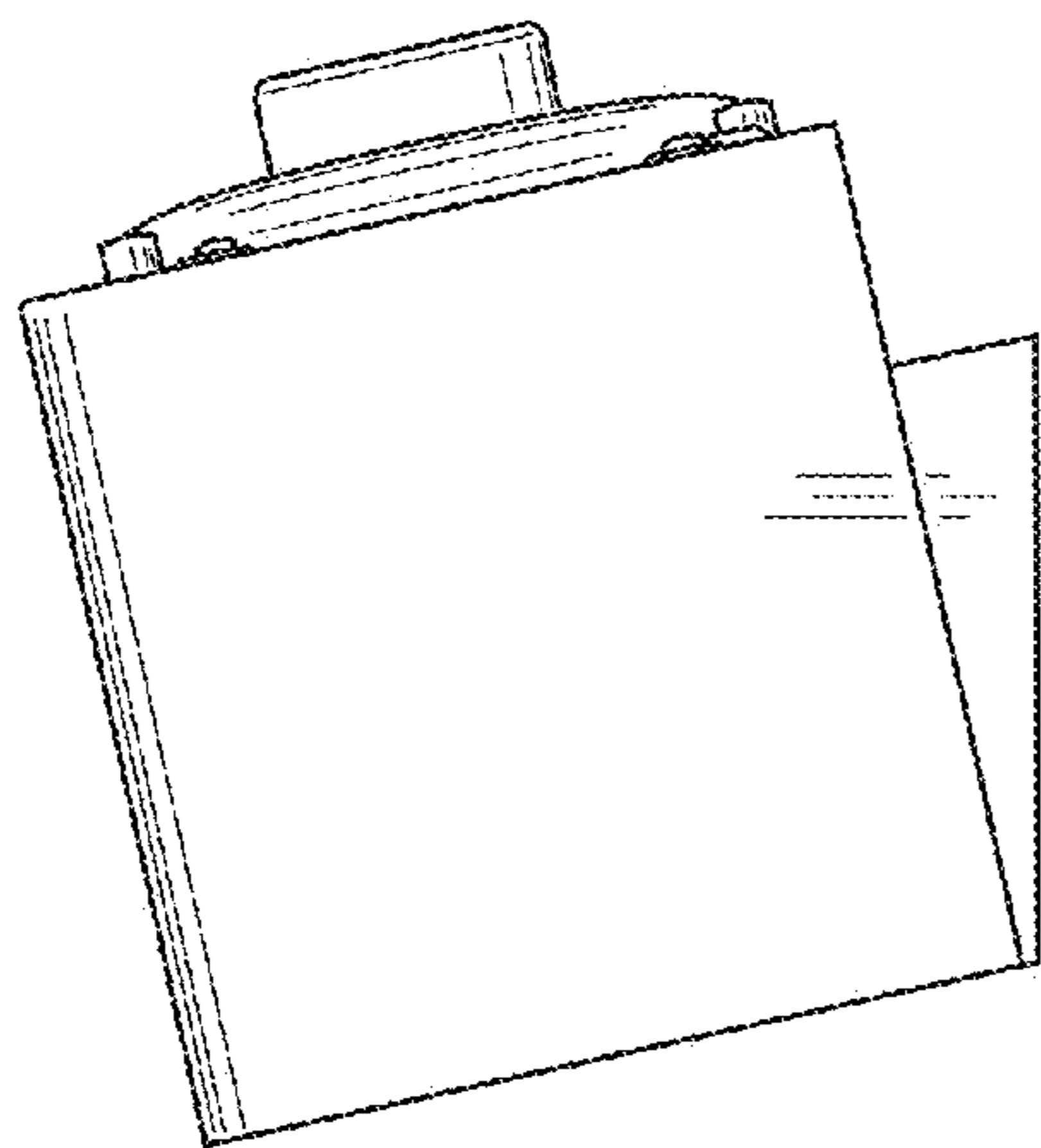


FIG. 4

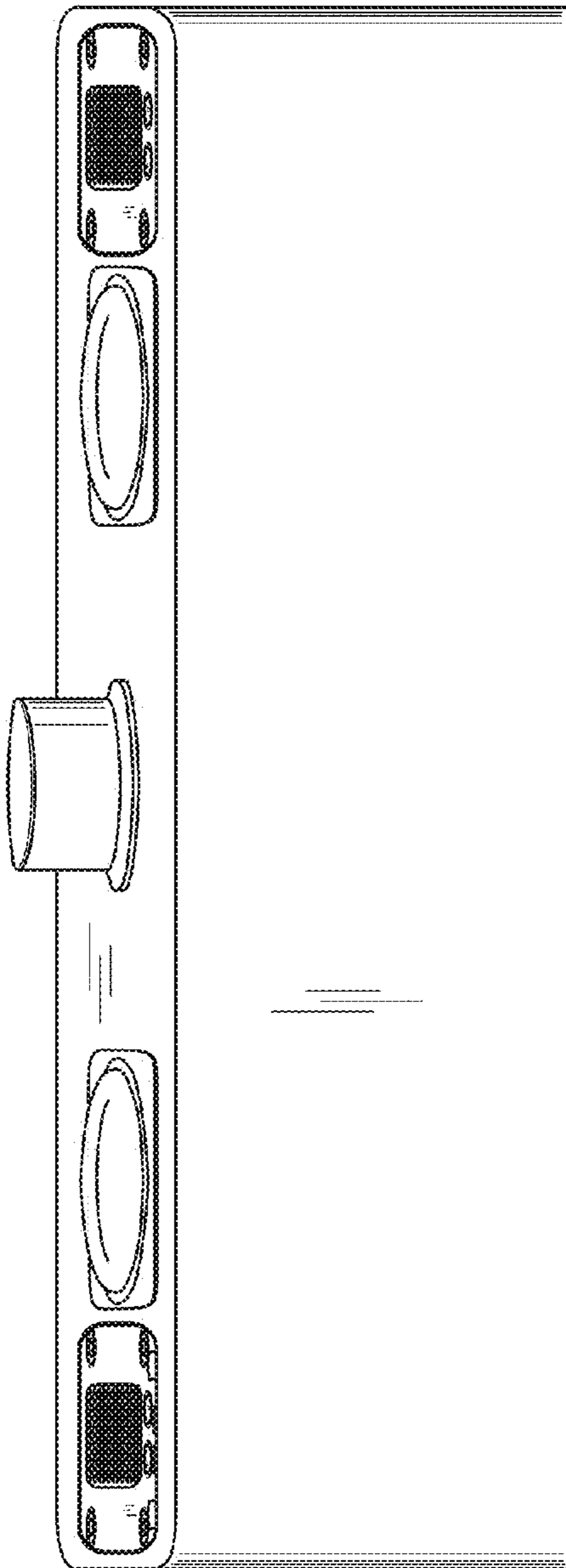


FIG. 5

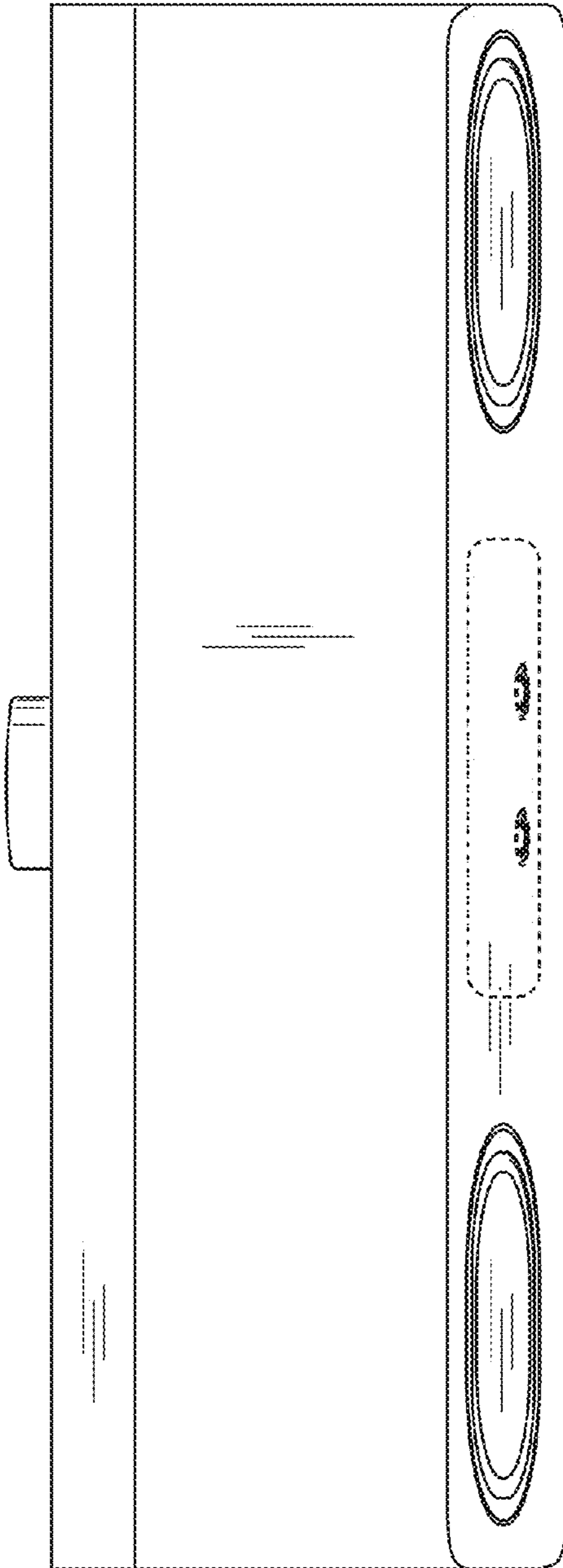


FIG. 6

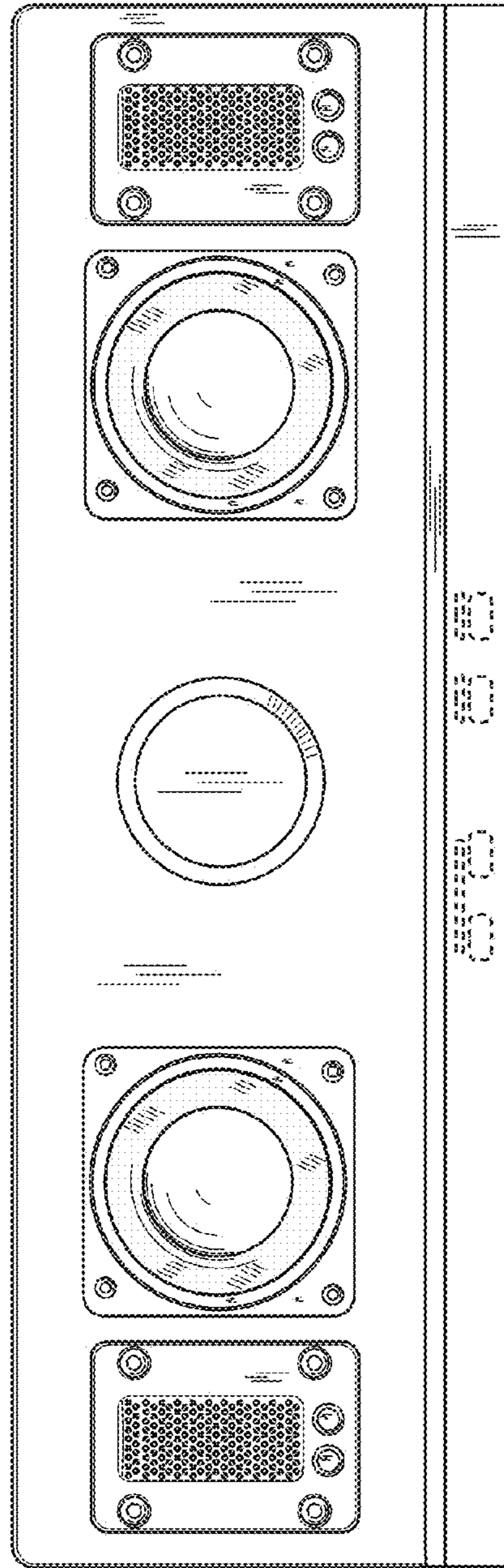
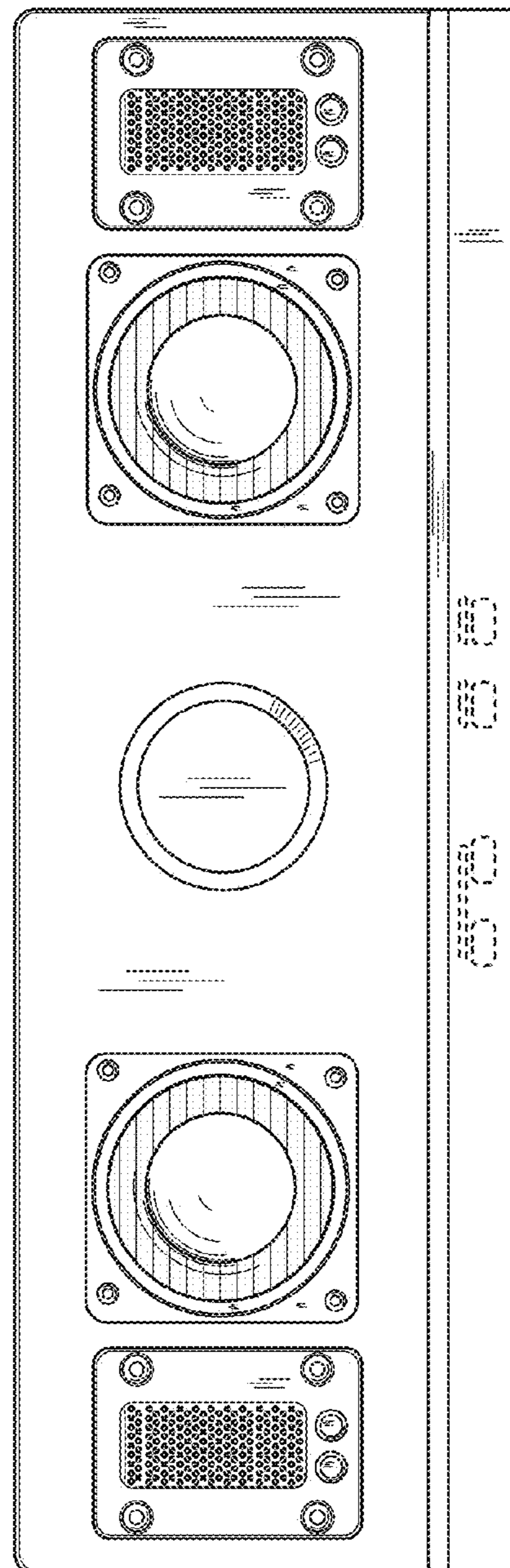
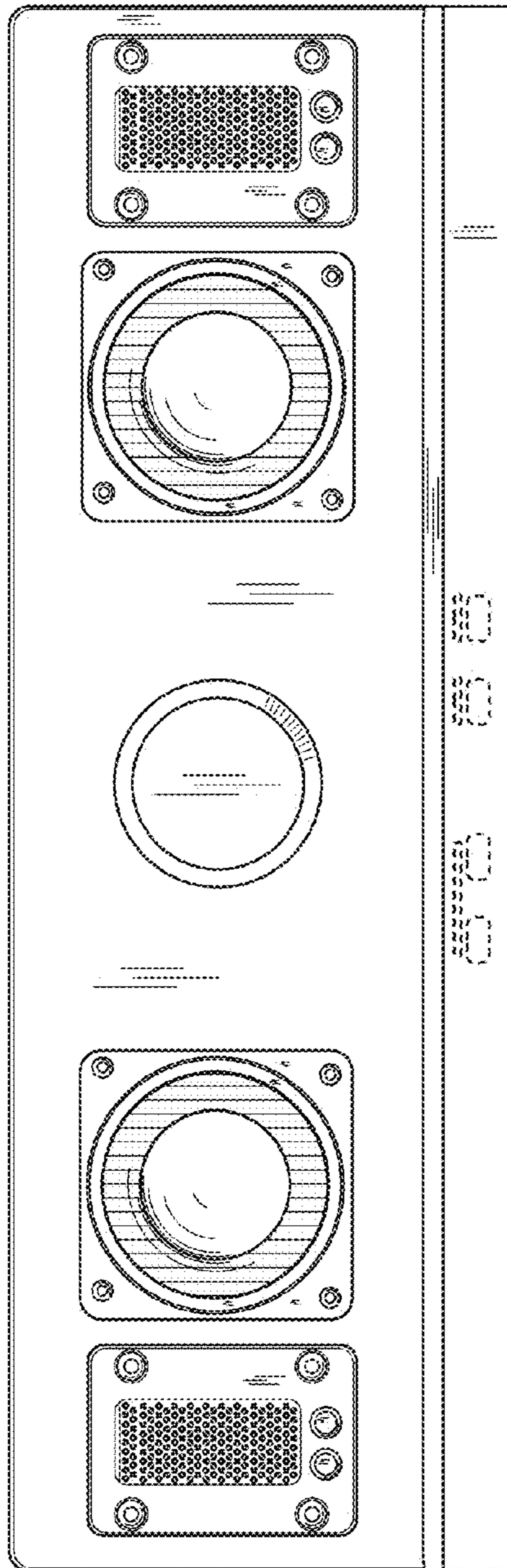


FIG. 7



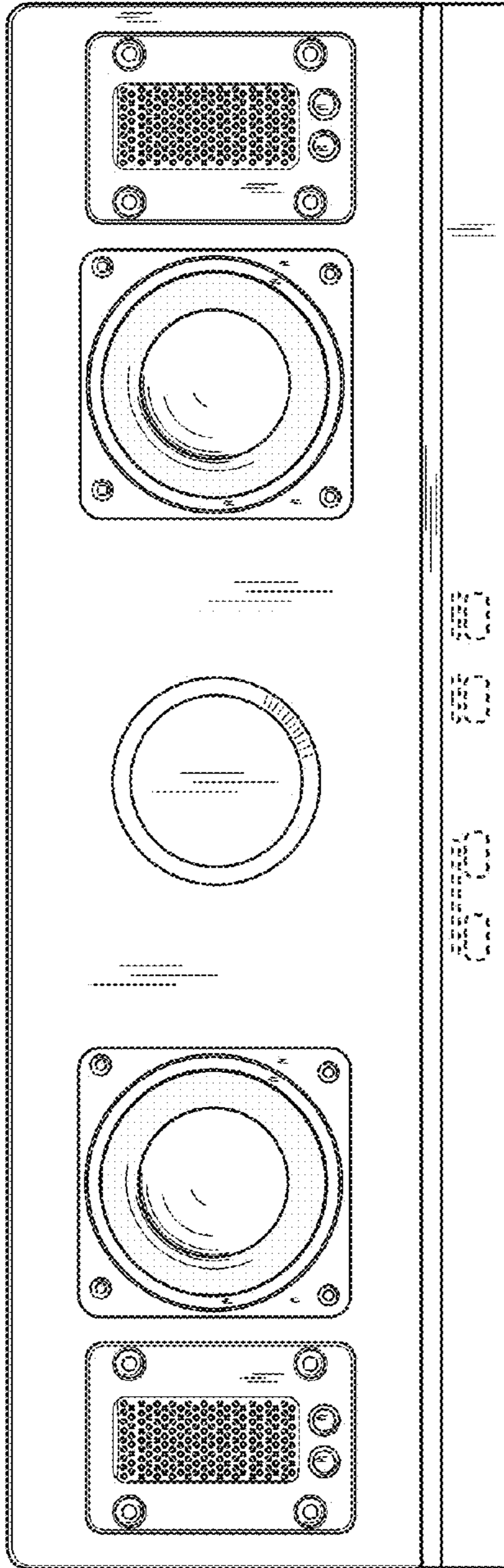


FIG. 10

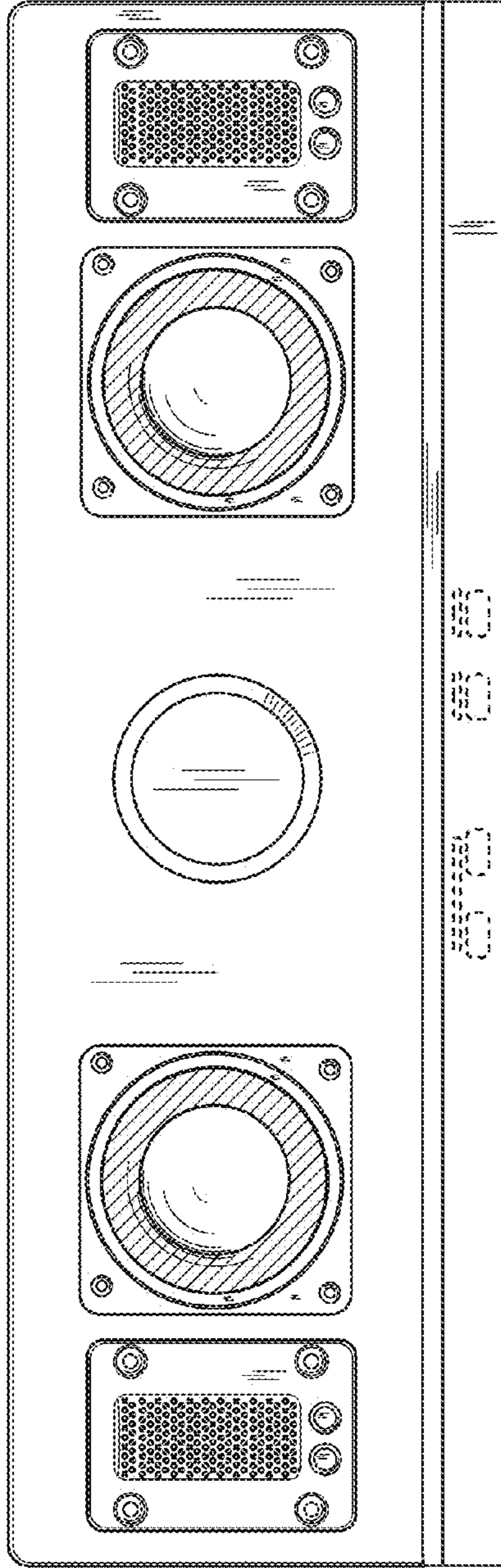


FIG. 11

