



US00D697897S

(12) **United States Design Patent**  
**Lee et al.**

(10) **Patent No.:** **US D697,897 S**  
(45) **Date of Patent:** **\*\* \*Jan. 21, 2014**

(54) **HEADPHONES**

(75) Inventors: **Noel Lee**, Las Vegas, NV (US); **Man Ting Lo**, Hong Kong (CN); **Jacky Hsiung**, San Jose, CA (US); **Kendrew Lee**, Hong Kong (CN)

(73) Assignee: **Monster, LLC**, Las Vegas, NV (US)

(\*) Notice: This patent is subject to a terminal disclaimer.

(\*\*) Term: **14 Years**

(21) Appl. No.: **29/430,655**

(22) Filed: **Aug. 28, 2012**

(51) **LOC (10) Cl.** ..... **14-01**

(52) **U.S. Cl.**  
USPC ..... **D14/205**

(58) **Field of Classification Search**  
USPC ..... D14/205; D29/112; 2/209; 181/129, 181/130, 135; 379/430, 431; 381/380, 381, 381/371, 372, 374, 378, 379; 455/90.3, 455/575.1

See application file for complete search history.

(56) **References Cited**

**U.S. PATENT DOCUMENTS**

4,542,803	A	*	9/1985	Houng	.....	181/129
D313,092	S	*	12/1990	Nilsson	.....	D29/112
D317,767	S	*	6/1991	Banks	.....	D14/205
D328,074	S	*	7/1992	Yamazaki et al.	.....	D14/205
D337,115	S	*	7/1993	Yamazaki et al.	.....	D14/205
D386,181	S	*	11/1997	Fisher	.....	D14/205
D394,062	S	*	5/1998	Chun	.....	D14/192
D552,077	S	*	10/2007	Brunner et al.	.....	D14/205
D571,354	S	*	6/2008	Ng	.....	D14/205
D573,581	S	*	7/2008	Gondo et al.	.....	D14/205
D588,100	S	*	3/2009	Densho et al.	.....	D14/205

D593,995	S	*	6/2009	Shimizu	.....	D14/205
D600,674	S	*	9/2009	Brennwald	.....	D14/205
D616,865	S	*	6/2010	Marchand et al.	.....	D14/205
D617,769	S	*	6/2010	Birger	.....	D14/205
D625,705	S	*	10/2010	Ohuri et al.	.....	D14/205
D632,668	S	*	2/2011	Brunner et al.	.....	D14/205
D633,471	S	*	3/2011	Sugiyama	.....	D14/205
D634,732	S	*	3/2011	Kondo et al.	.....	D14/205
D637,176	S	*	5/2011	Brunner et al.	.....	D14/205
D656,480	S	*	3/2012	McManigal et al.	.....	D14/205
D657,344	S	*	4/2012	Brunner et al.	.....	D14/205
D657,346	S	*	4/2012	Park	.....	D14/205
D662,080	S	*	6/2012	Carr et al.	.....	D14/205
D663,716	S	*	7/2012	Hardi et al.	.....	D14/205
D664,118	S	*	7/2012	Tappeiner et al.	.....	D14/205
D665,775	S	*	8/2012	Katsumata	.....	D14/205
D666,579	S	*	9/2012	Hou	.....	D14/205
D666,992	S	*	9/2012	Lee et al.	.....	D14/205
D678,859	S	*	3/2013	Lee	.....	D14/205

\* cited by examiner

*Primary Examiner* — Paula Greene

(74) *Attorney, Agent, or Firm* — LaRiviere, Grubman & Payne, LLP

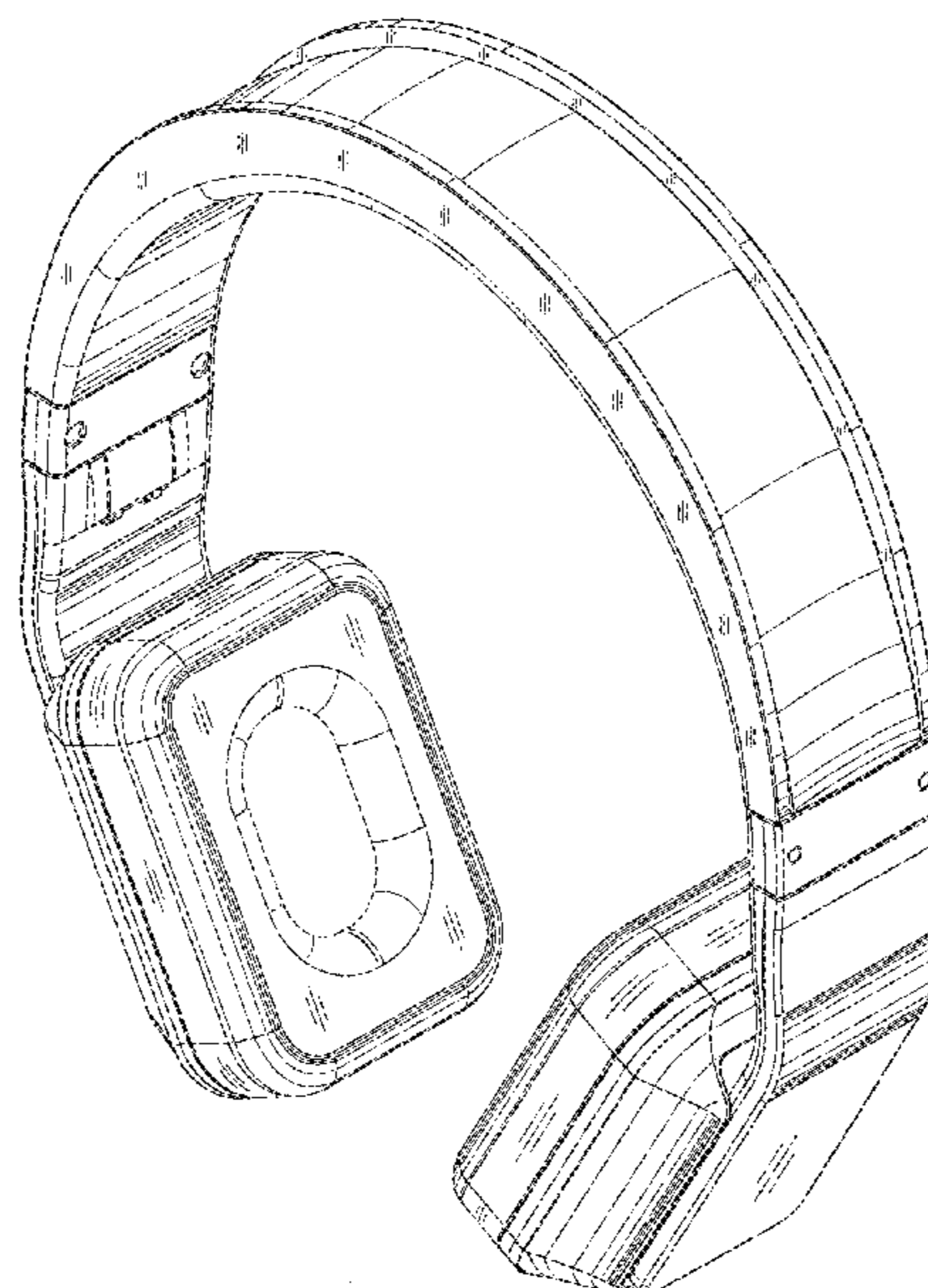
(57) **CLAIM**

The ornamental design for headphones, as shown and described.

**DESCRIPTION**

FIG. 1 is a perspective view of headphones showing our new design, the opposite front face of the ear cup is a mirror image; FIG. 2 is front view thereof; FIG. 3 is a rear view thereof; FIG. 4 is a side view thereof; FIG. 5 is an opposing side view thereof; FIG. 6 is a top view thereof; and, FIG. 7 is a bottom view thereof. The broken lines showing the environment are for illustrative purposes only and form no part of the claimed design.

**1 Claim, 5 Drawing Sheets**



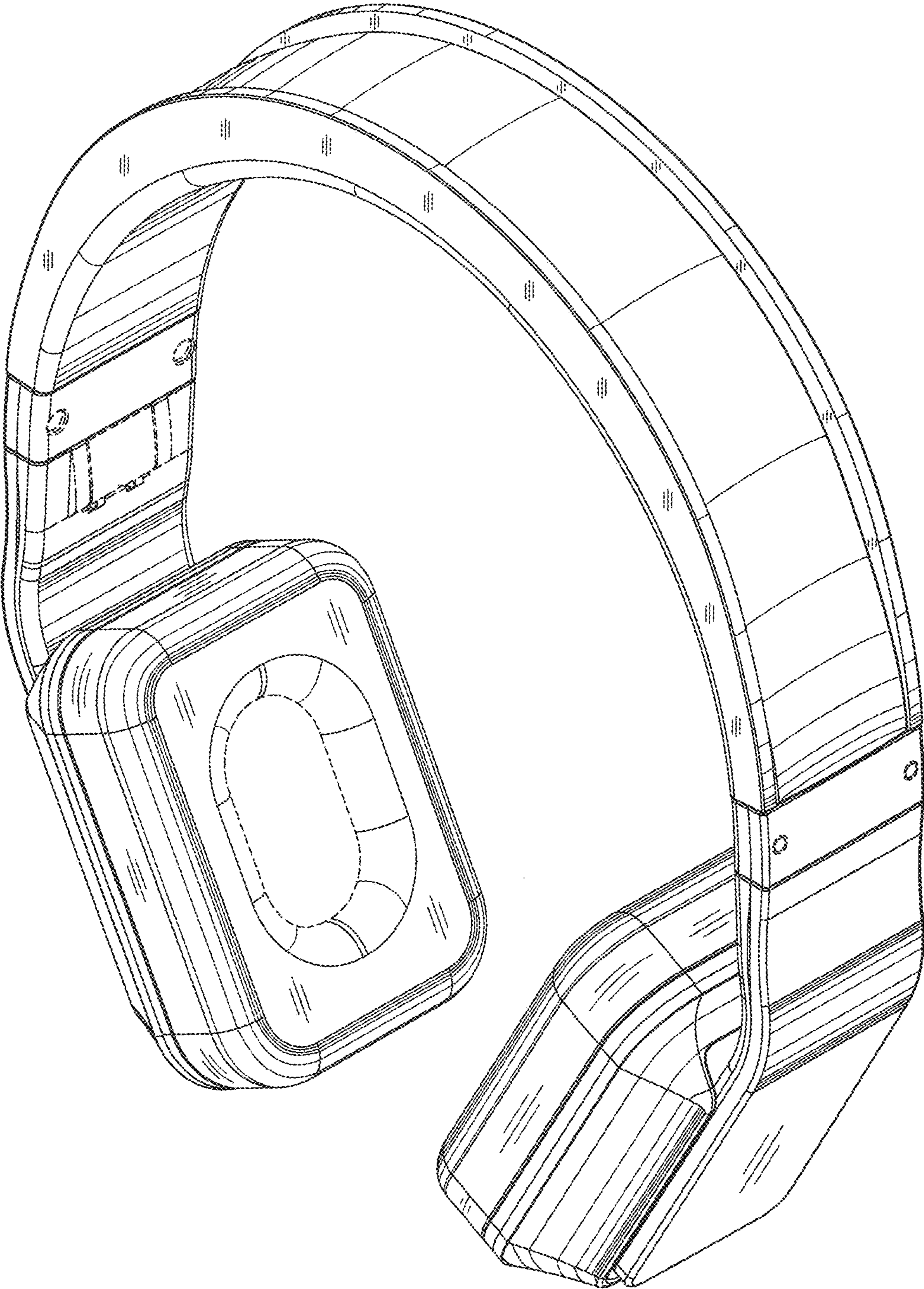


FIG. 1

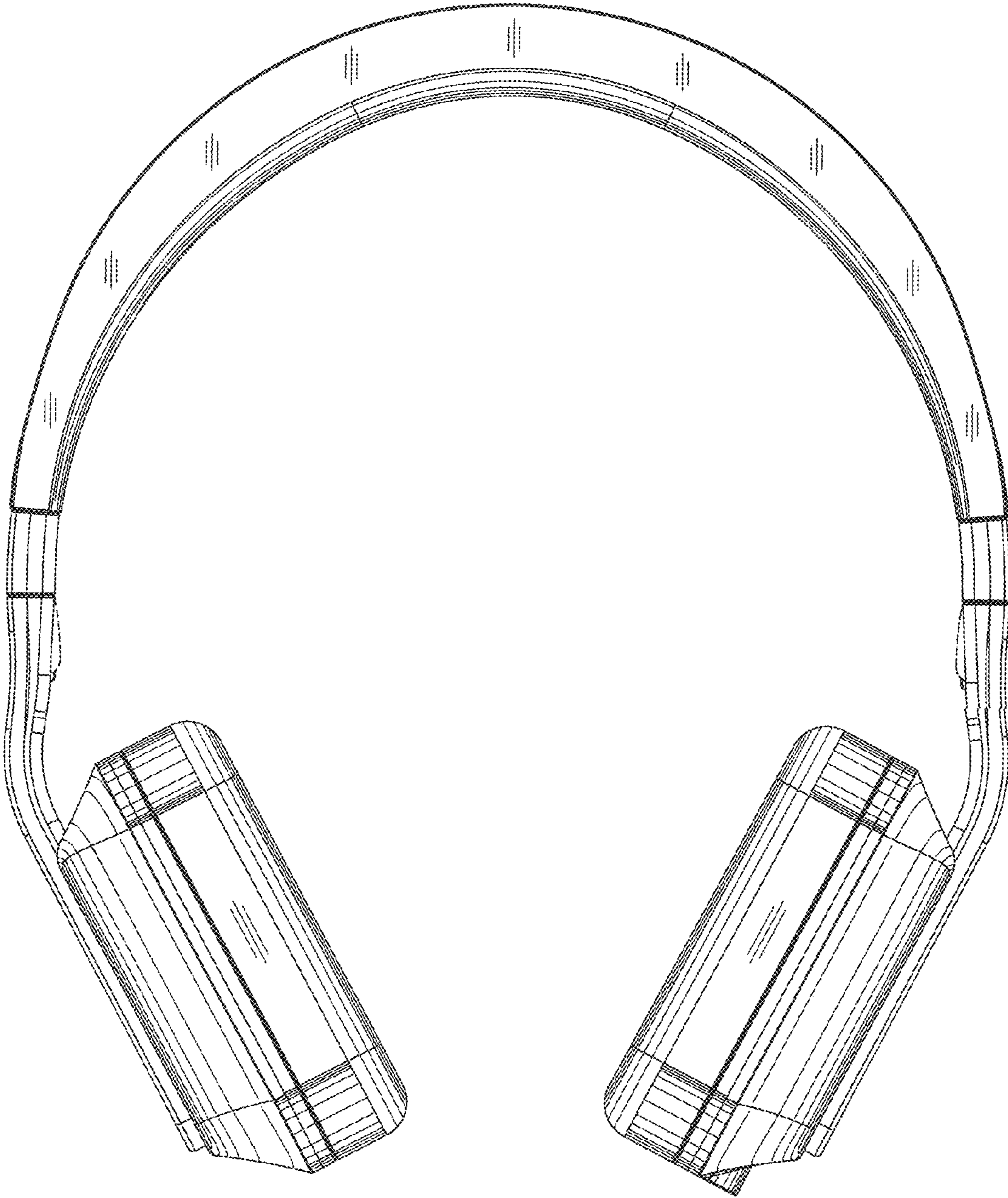


FIG. 2

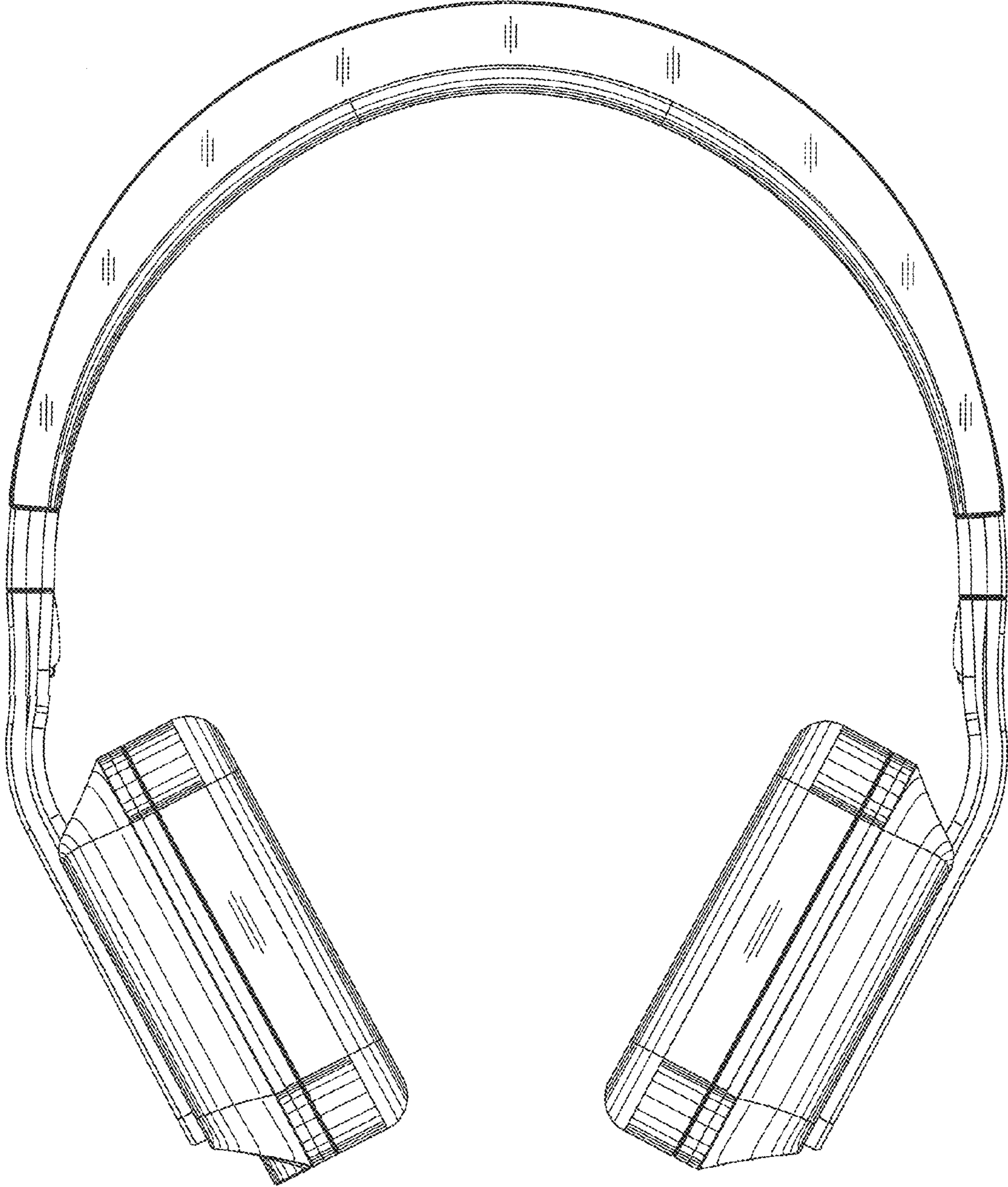


FIG. 3

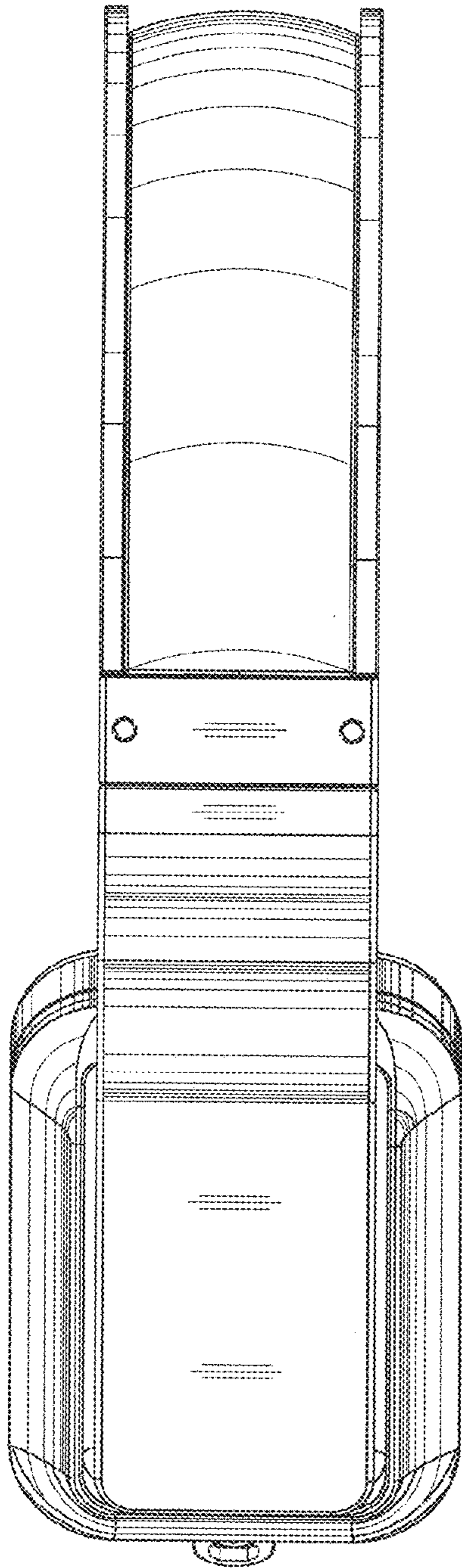


FIG. 4

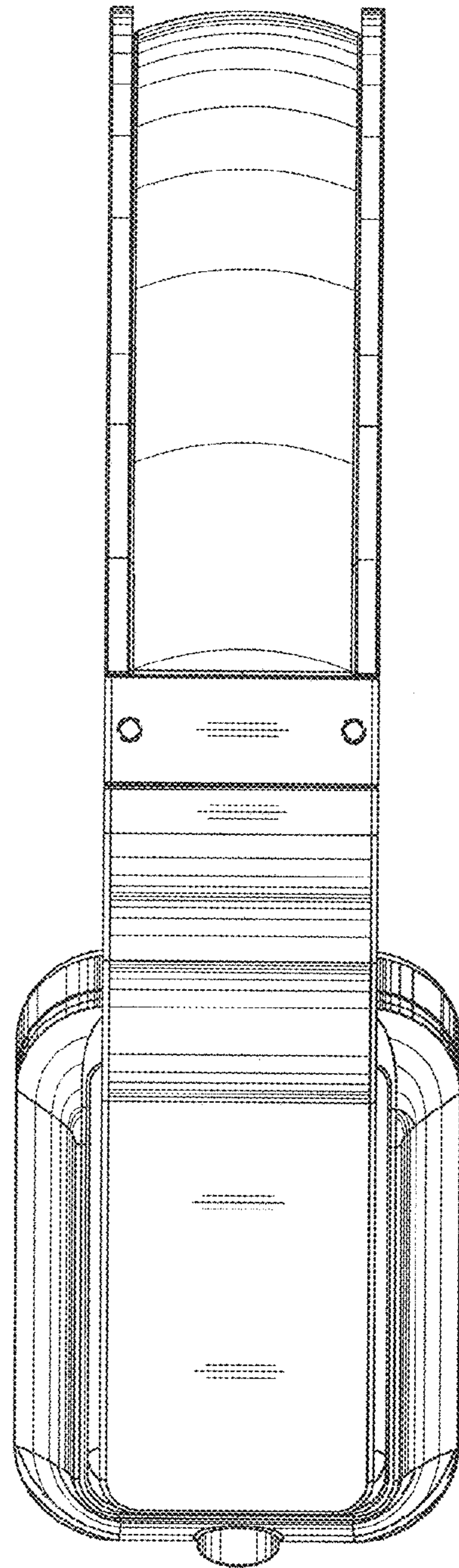


FIG. 5

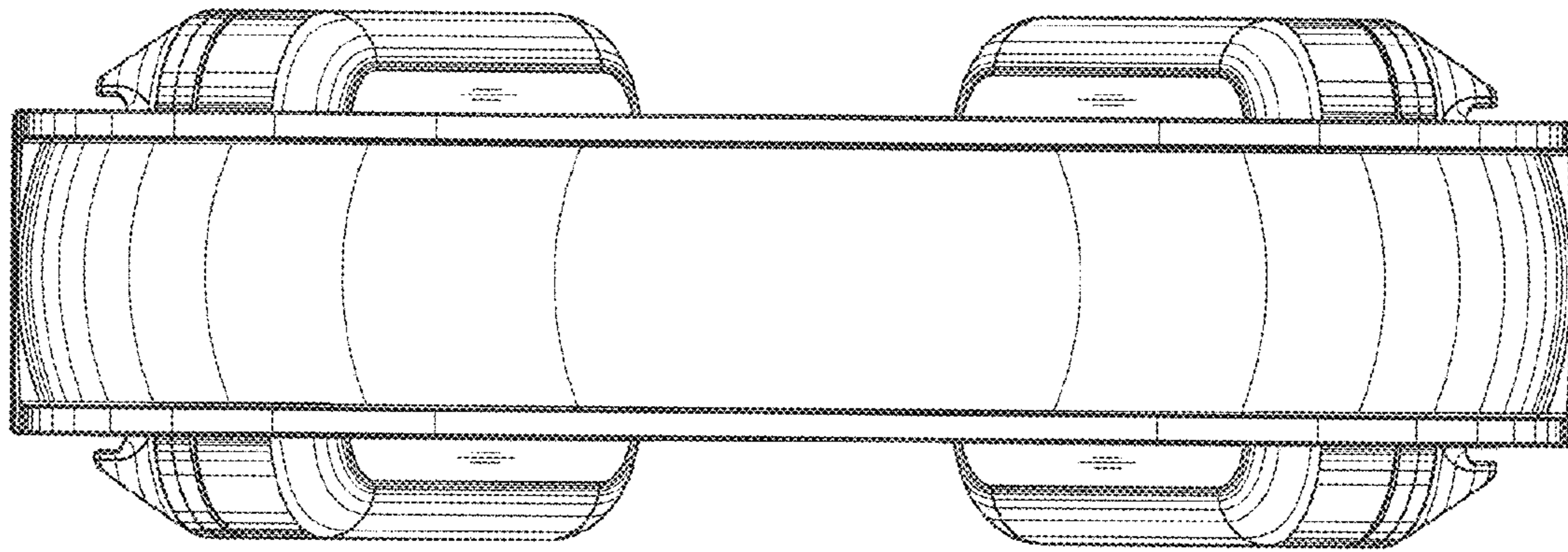


FIG. 6

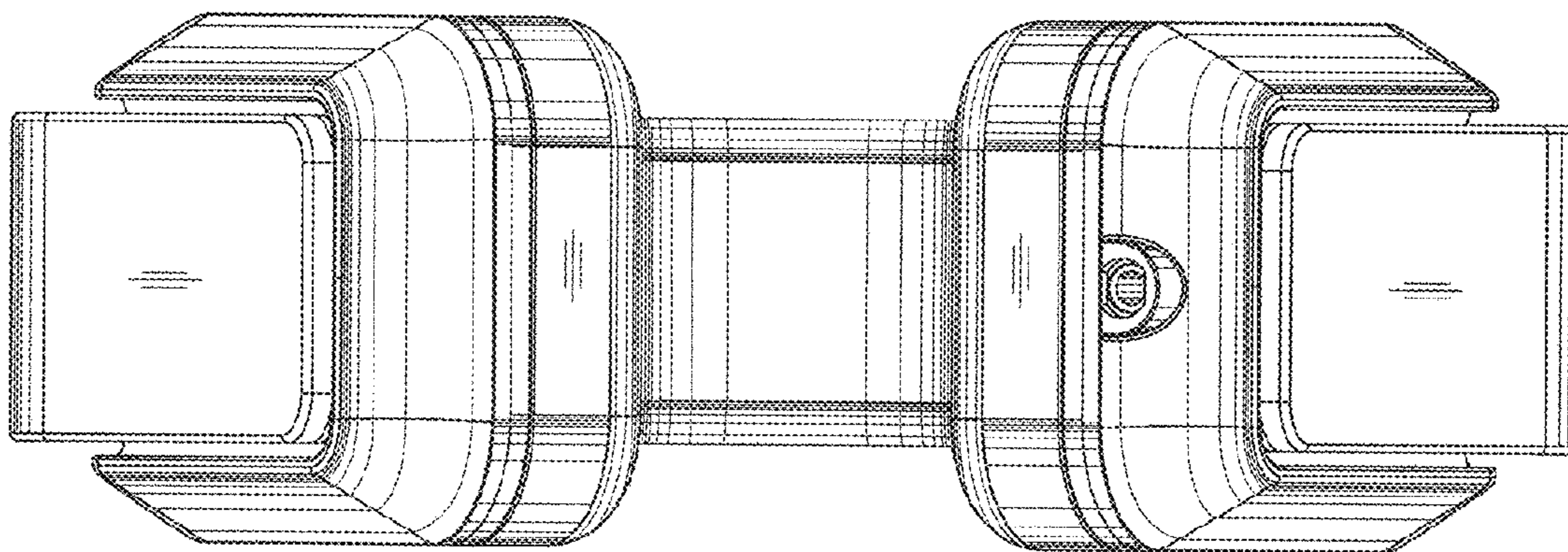


FIG. 7