



US00D697895S

(12) **United States Design Patent**
Lee

(10) **Patent No.:** **US D697,895 S**
(45) **Date of Patent:** **** *Jan. 21, 2014**

(54) **HEADPHONES**

(75) Inventor: **Noel Lee**, Las Vegas, NV (US)

(73) Assignee: **Monster, LLC**, Las Vegas, NV (US)

(*) Notice: This patent is subject to a terminal disclaimer.

(**) Term: **14 Years**

(21) Appl. No.: **29/410,530**

(22) Filed: **Jan. 9, 2012**

(51) **LOC (10) Cl.** **14-01**

(52) **U.S. Cl.**
USPC **D14/205**

(58) **Field of Classification Search**
USPC D14/205, 206, 223; 181/129, 130, 135;
379/430, 431; 381/380, 381; 455/90.3,
455/575.1

See application file for complete search history.

(56) **References Cited**

U.S. PATENT DOCUMENTS

D237,307 S *	10/1975	Miyamoto et al.	D14/192
D323,167 S *	1/1992	Yamazaki et al.	D14/205
D338,010 S *	8/1993	Yamatogi	D14/205
D422,592 S *	4/2000	Deguchi	D14/205
7,072,483 B2 *	7/2006	Lenhard-Backhaus	381/383
D594,441 S	6/2009	Lee et al.	
D598,901 S	8/2009	Lee et al.	
D599,781 S	9/2009	Lee et al.	
D600,675 S	9/2009	Lee et al.	
D637,182 S	5/2011	Lee et al.	
D641,008 S	7/2011	Lee et al.	

D642,163 S	7/2011	Lee et al.	
D643,417 S	8/2011	Lee et al.	
D643,418 S	8/2011	Lee et al.	
D643,833 S	8/2011	Lee et al.	
D649,528 S *	11/2011	Park	D14/205
D652,406 S *	1/2012	Lee et al.	D14/205
D657,344 S *	4/2012	Brunner et al.	D14/205
D660,824 S *	5/2012	Hardi et al.	D14/205
D663,716 S *	7/2012	Hardi et al.	D14/205
D677,648 S *	3/2013	Lee et al.	D14/206
D680,516 S *	4/2013	Lee	D14/205
D685,763 S *	7/2013	Lee et al.	D14/205

* cited by examiner

Primary Examiner — Paula Greene

(74) *Attorney, Agent, or Firm* — LaRiviere, Grubman & Payne, LLP

(57) **CLAIM**

The ornamental design for headphones, as shown and described.

DESCRIPTION

FIG. 1 is a perspective view of headphones, showing our design;

FIG. 2 is an opposing perspective view thereof;

FIG. 3 is front view thereof;

FIG. 4 is a rear view thereof;

FIG. 5 is a side view thereof;

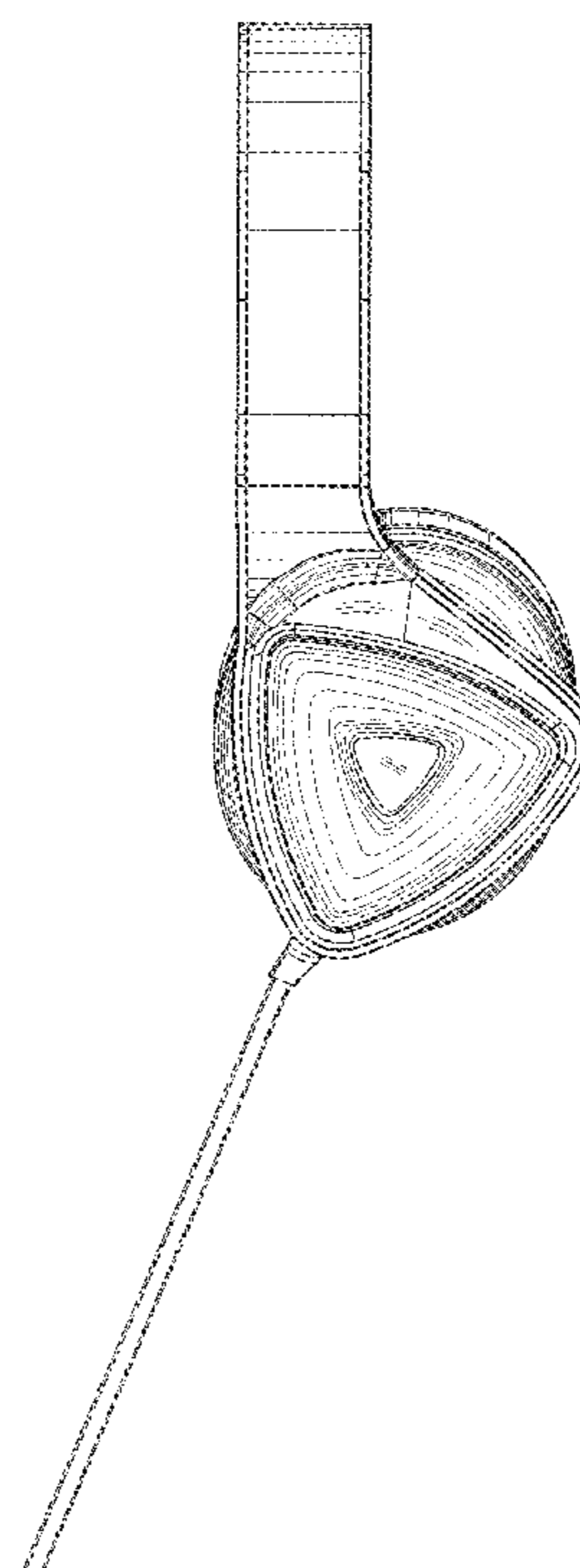
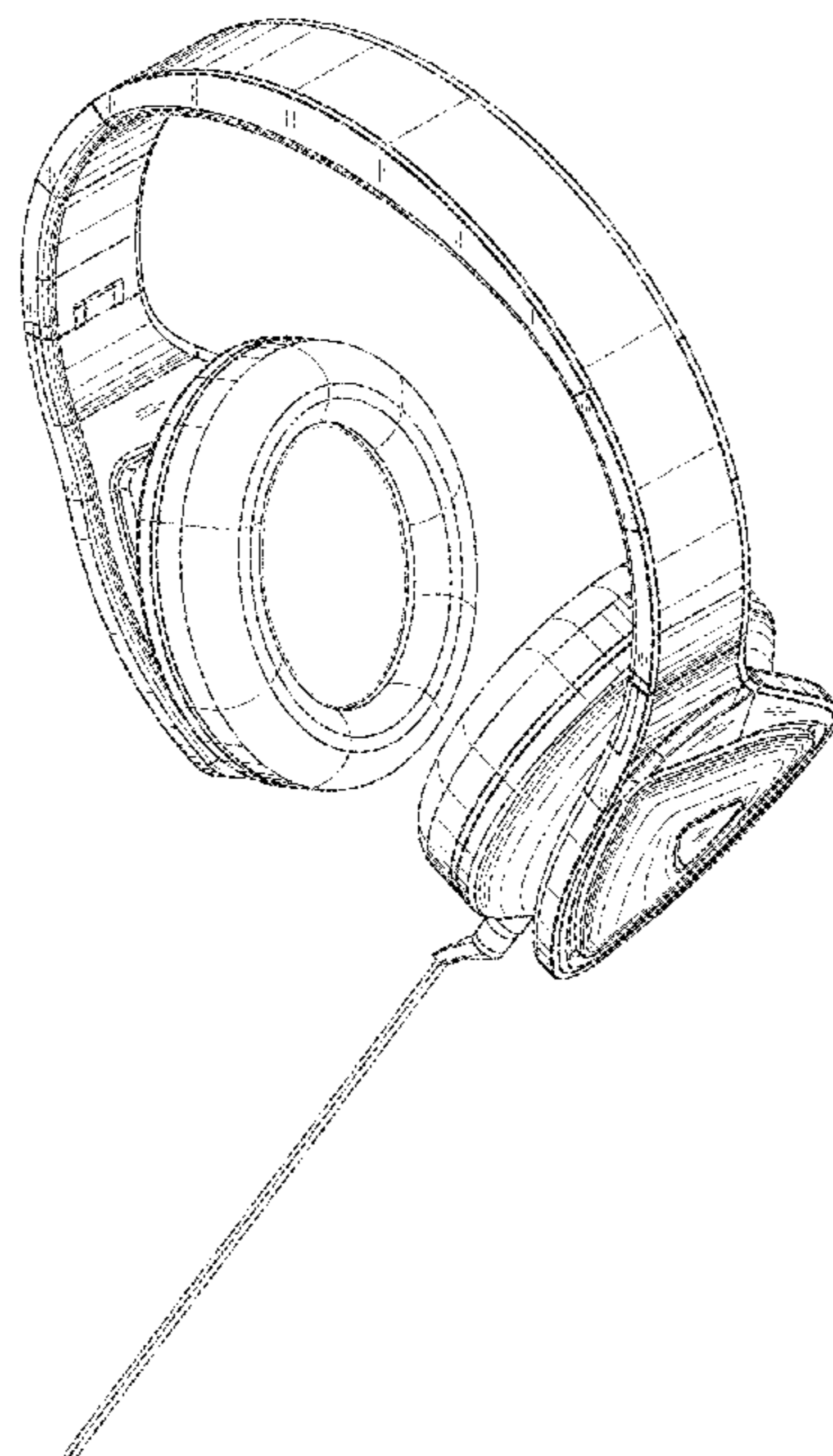
FIG. 6 is an opposing side view thereof;

FIG. 7 is a top view thereof; and,

FIG. 8 is a bottom view thereof.

The broken lines showing the environment are for illustrative purposes only and form no part of the claimed design.

1 Claim, 7 Drawing Sheets



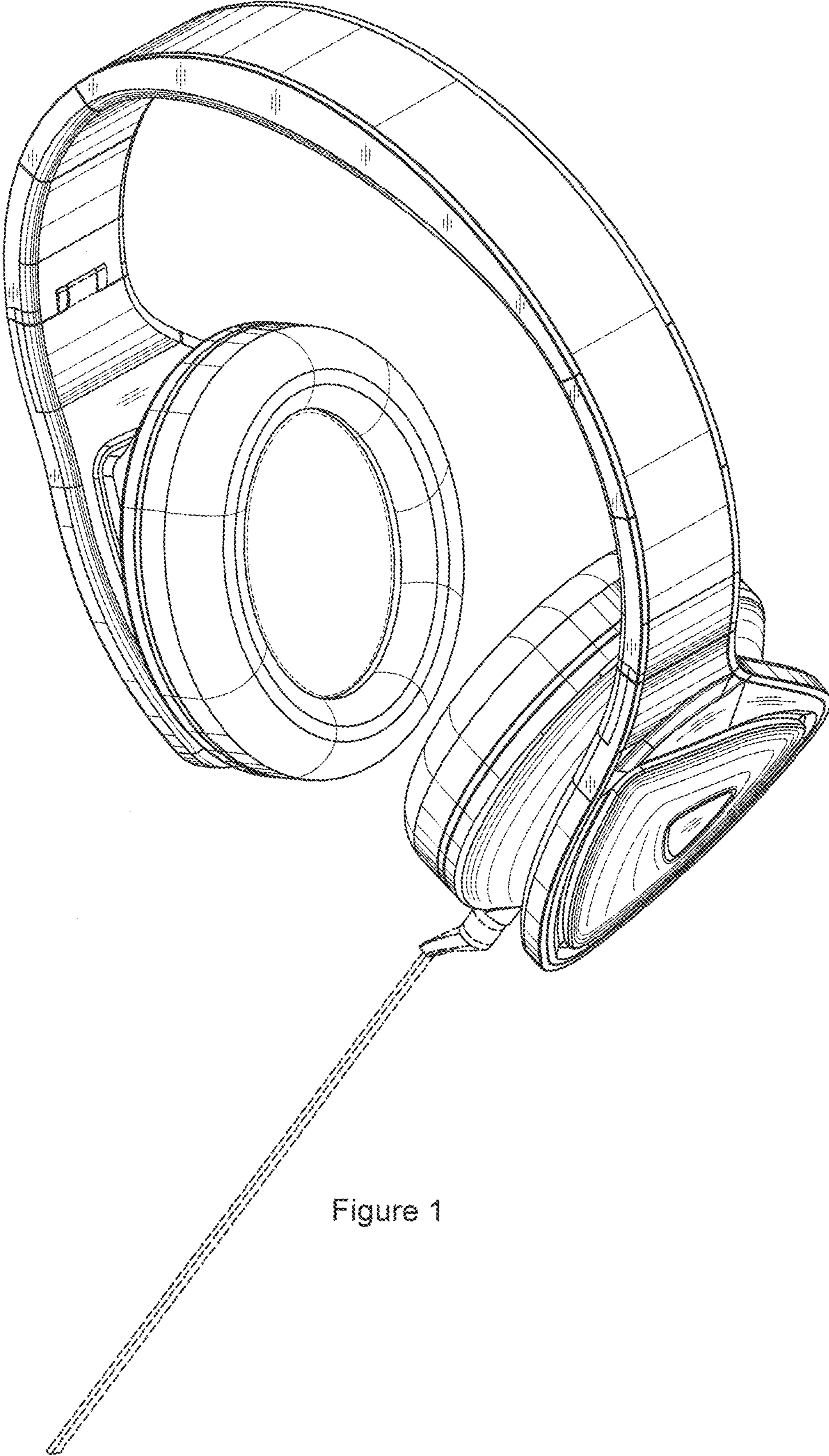


Figure 1

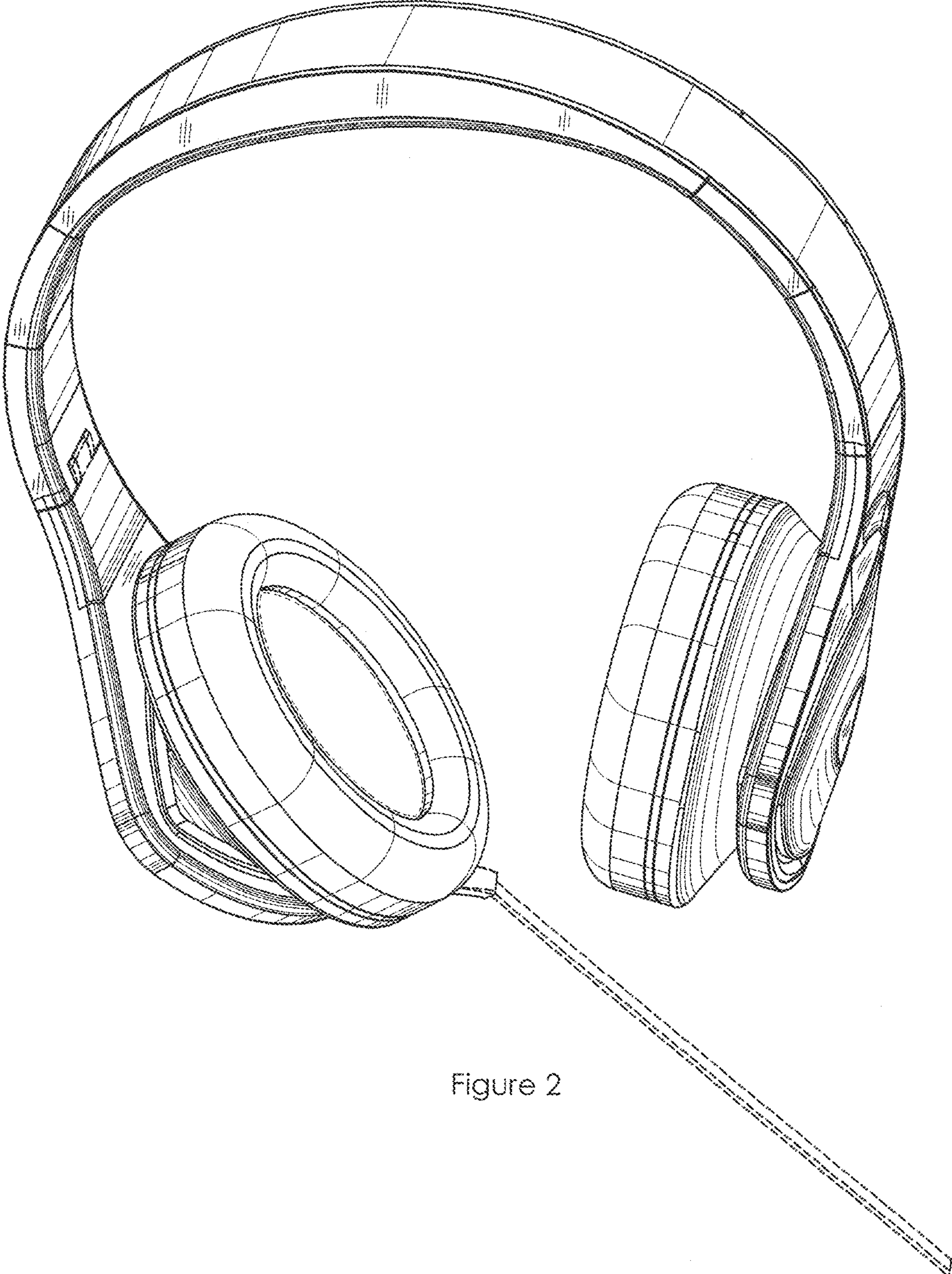


Figure 2

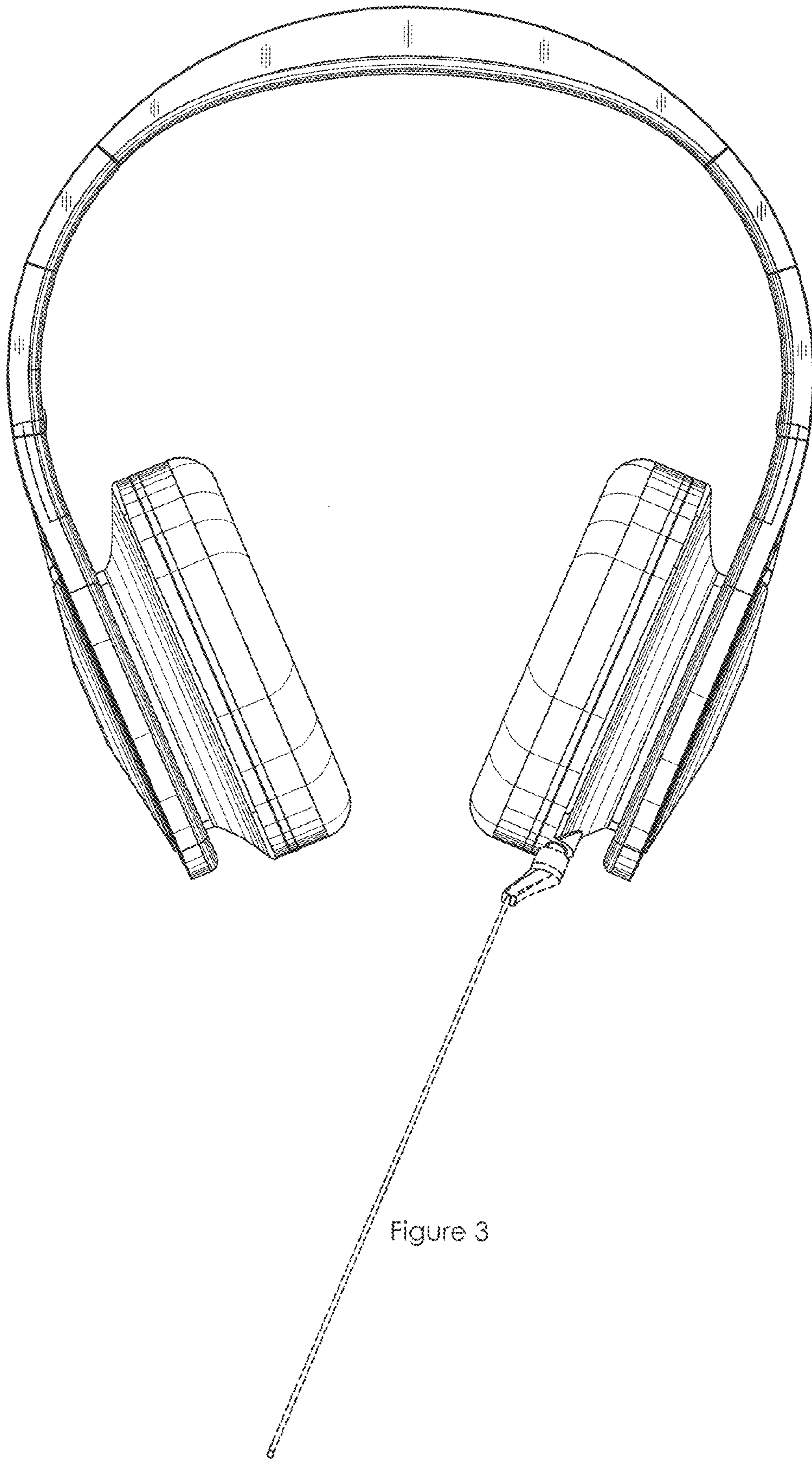


Figure 3

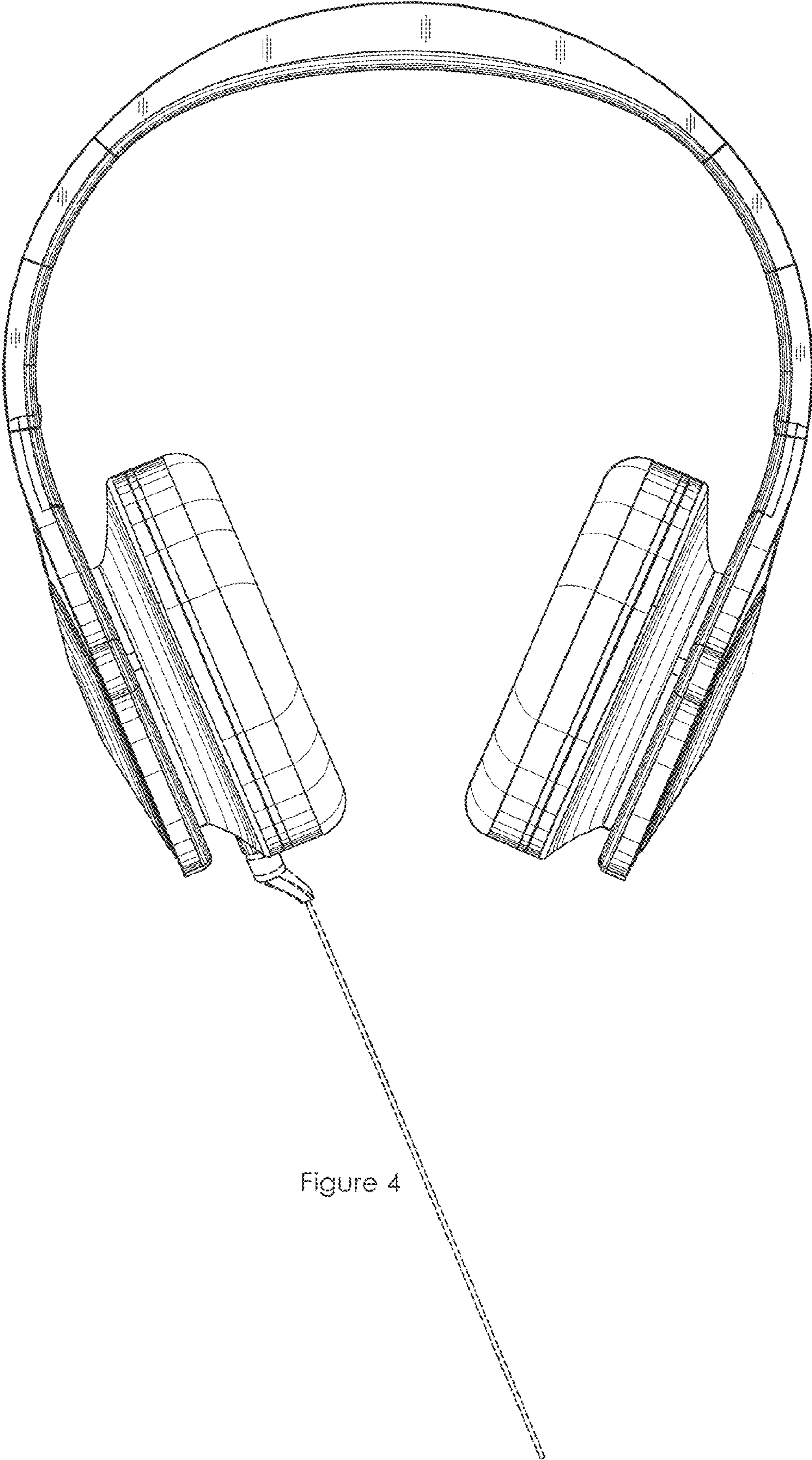


Figure 4

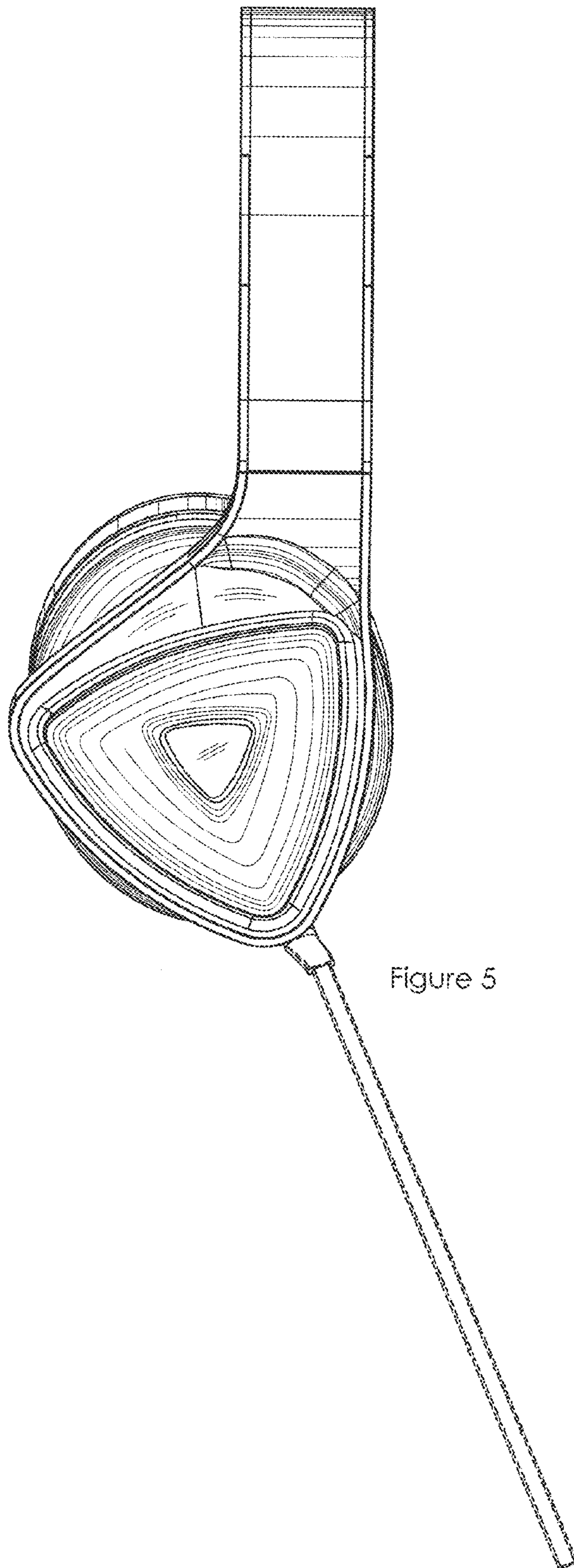


Figure 5

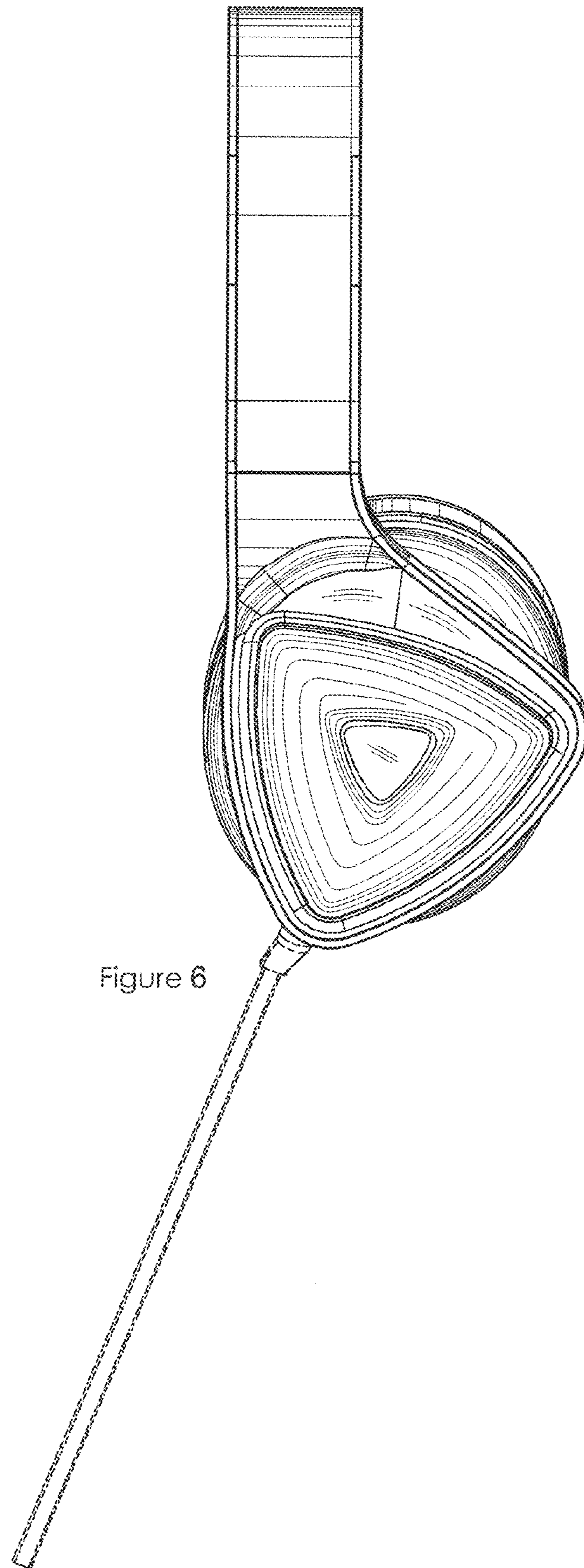


Figure 6

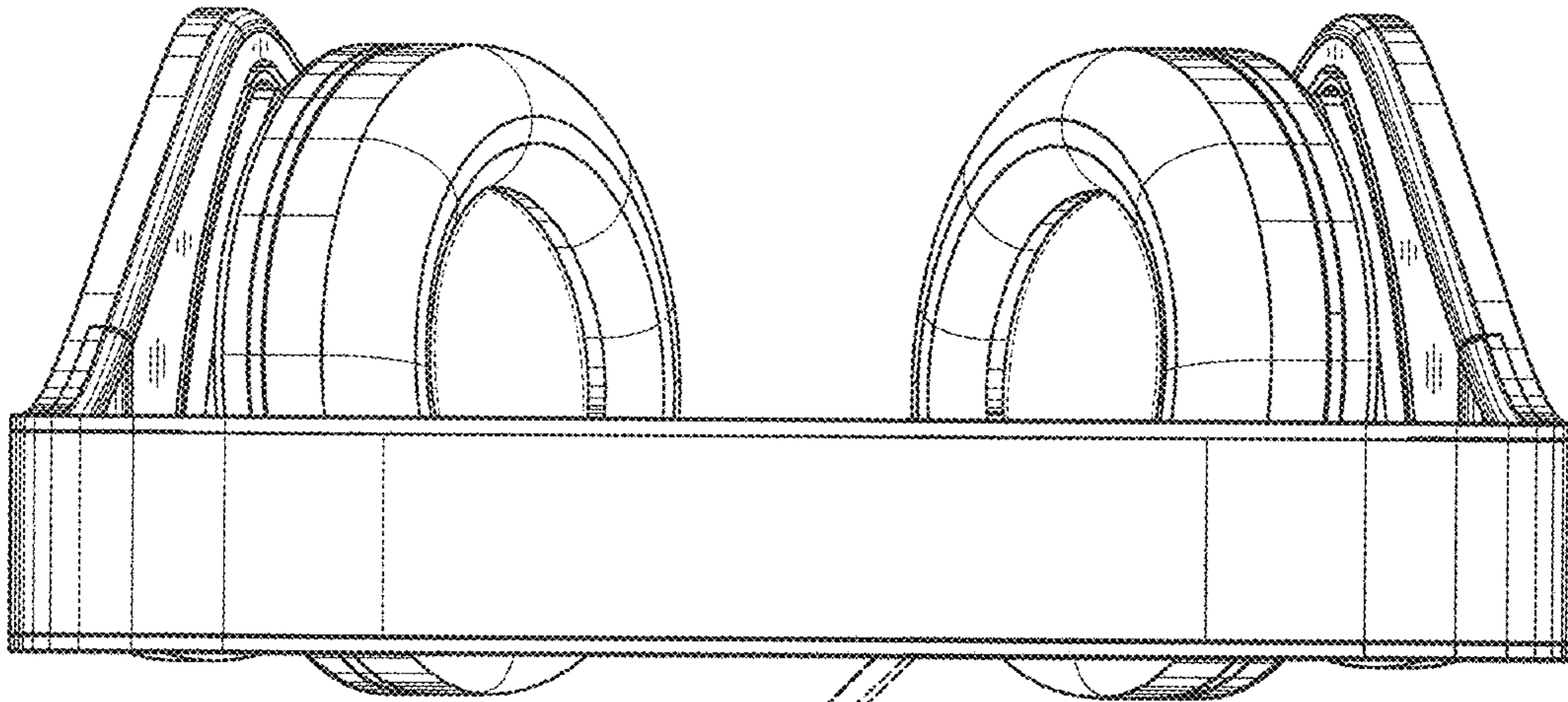


Figure 7

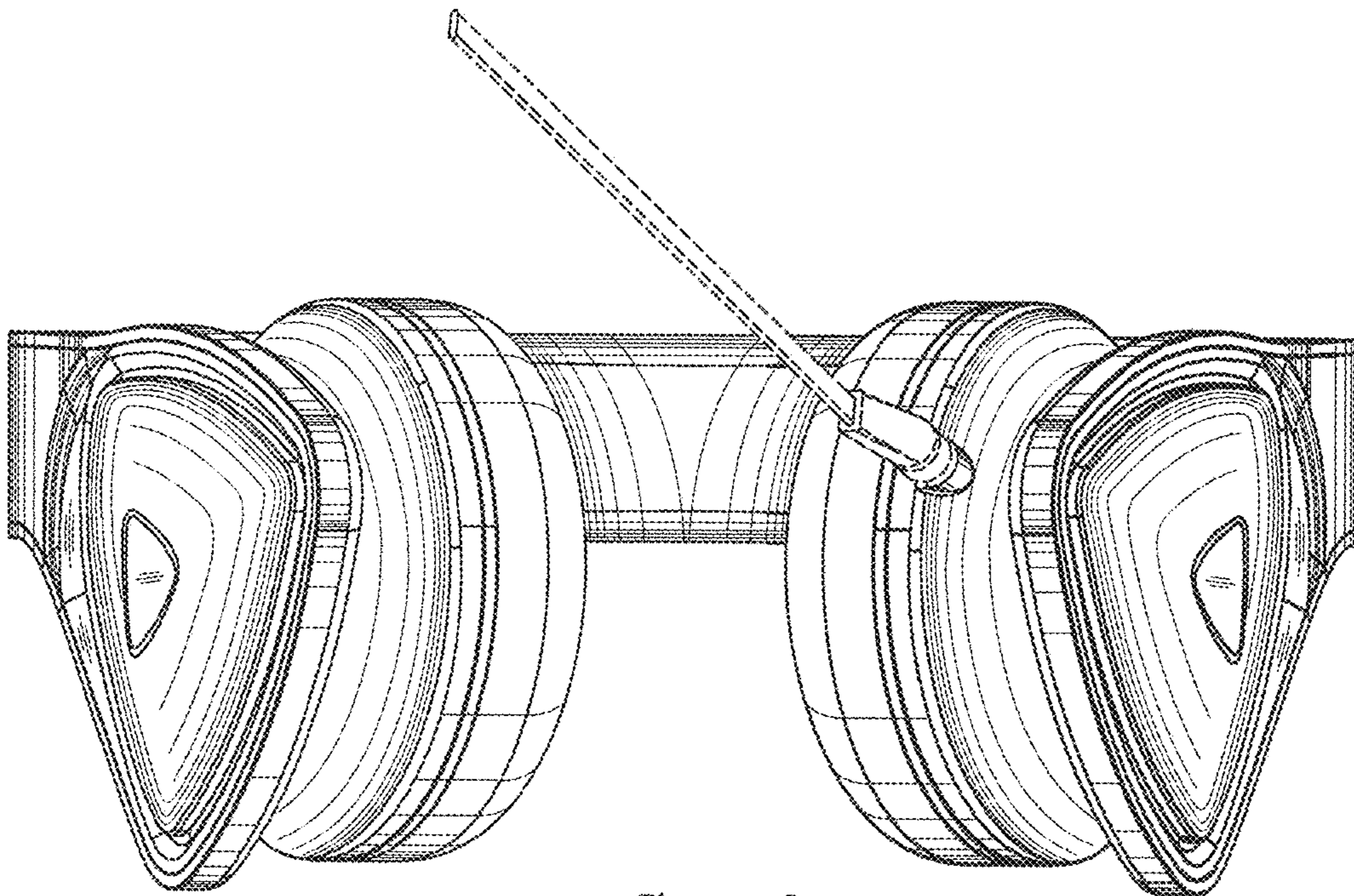


Figure 8