

US00D697885S

(12) **United States Design Patent**
Park

(10) **Patent No.:** **US D697,885 S**

(45) **Date of Patent:** **** *Jan. 21, 2014**

(54) **COMMUNICATION DEVICE**

(75) Inventor: **Cheol Woo Park**, Chicago, IL (US)

(73) Assignee: **Motorola Mobility LLC**, Libertyville, IL (US)

(*) Notice: This patent is subject to a terminal disclaimer.

(**) Term: **14 Years**

(21) Appl. No.: **29/425,020**

(22) Filed: **Jun. 19, 2012**

(51) **LOC (10) Cl.** **14-03**

(52) **U.S. Cl.**
USPC **D14/138 G**

(58) **Field of Classification Search**
USPC D14/138 R, 138 AD, 138 AC, 138 C,
D14/138 G, 191, 203.1–203.8, 496, 138 AA,
D14/138 AB, 137, 147, 218, 341–347,
D14/247–248; D10/65, 78, 104; D13/168;
D18/7; 455/566, 575.1, 575.3, 575.4
See application file for complete search history.

(56) **References Cited**

U.S. PATENT DOCUMENTS

D577,704 S * 9/2008 Park et al. D14/138 AD
D578,500 S * 10/2008 Lee et al. D14/138 G

(Continued)

OTHER PUBLICATIONS

Motorola Moto XT615, announced Nov. 2011, [online], [retrieved on Feb. 3, 2012]. Retrieved from Internet, <URL: <http://www.gsmarena.com>>.*

(Continued)

Primary Examiner — Bridget L Eland

(74) *Attorney, Agent, or Firm* — Gary J. Cunningham

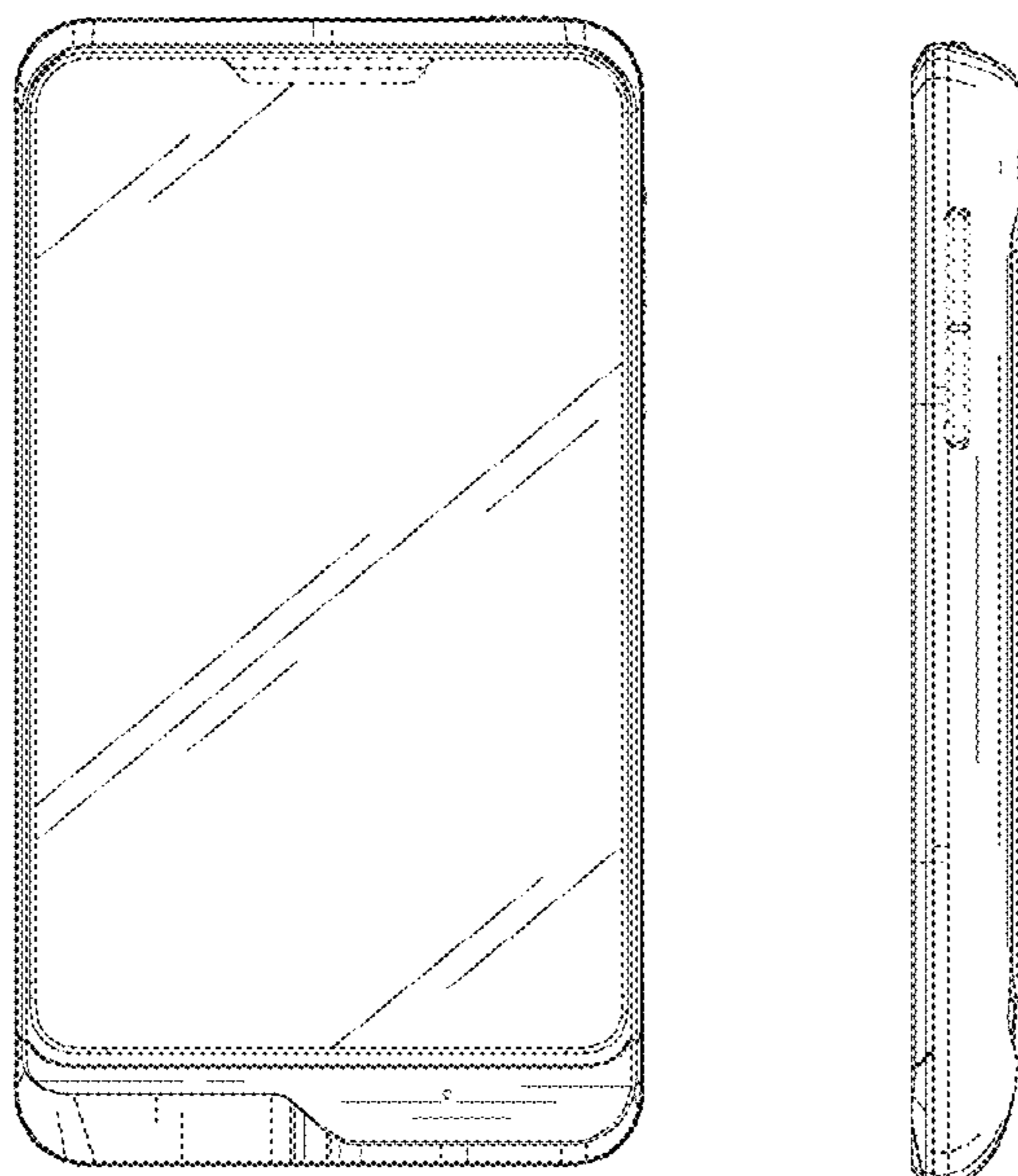
(57) **CLAIM**

The ornamental design for a communication device, as shown and described.

DESCRIPTION

FIG. 1 is a front perspective view of a first embodiment of an ornamental design for a communication device; FIG. 2 is a rear perspective view of the first embodiment thereof; FIG. 3 is a front view of the first embodiment thereof; FIG. 4 is a rear view of the first embodiment thereof; FIG. 5 is a first side view of the first embodiment thereof; FIG. 6 is a second side view of the first embodiment thereof; FIG. 7 is a top view of the first embodiment thereof; and FIG. 8 is a bottom view of the first embodiment thereof. FIG. 9 is a front perspective view of a second embodiment of an ornamental design for a communication device; FIG. 10 is a rear perspective view of the second embodiment thereof; FIG. 11 is a front view of the second embodiment thereof; FIG. 12 is a rear view of the second embodiment thereof; FIG. 13 is a first side view of the second embodiment thereof; FIG. 14 is a second side view of the second embodiment thereof; FIG. 15 is a top view of the second embodiment thereof; and FIG. 16 is a bottom view of the second embodiment thereof. The broken lines shown in FIGS. 1-8, that are immediately adjacent to the shaded areas, and define unshaded regions, represent the bounds of the first embodiment, while all other broken lines are directed to environment and are for illustrative purposes only; the broken lines form no part of the first embodiment.

1 Claim, 12 Drawing Sheets



(56)

References Cited

U.S. PATENT DOCUMENTS

D580,905 S * 11/2008 Park et al. D14/138 AD
 D595,286 S * 6/2009 Mitchell et al. D14/248
 D606,038 S * 12/2009 Aarras D14/138 G
 D615,951 S * 5/2010 Kim et al. D14/138 G
 D616,465 S * 5/2010 Jones et al. D14/496
 D618,650 S * 6/2010 Hyun et al. D14/138 G
 D622,241 S * 8/2010 Kim et al. D14/138 AB
 D631,029 S * 1/2011 Park et al. D14/138 G
 D633,467 S * 3/2011 Park et al. D14/138 AD
 D635,537 S * 4/2011 Kim D14/138 G
 D639,261 S 6/2011 Garnham et al.
 D640,216 S * 6/2011 Woo et al. D14/138 G
 D640,219 S 6/2011 Sutherland et al.
 D647,498 S * 10/2011 Lee et al. D14/138 G
 D652,402 S * 1/2012 Park et al. D14/138 G
 D654,040 S * 2/2012 Jung et al. D14/138 AD
 D654,890 S * 2/2012 Jung et al. D14/138 AD
 D658,147 S * 4/2012 Yoon D14/138 G
 D658,148 S * 4/2012 Park D14/138 AD
 D665,371 S * 8/2012 Finney et al. D14/138 G
 D665,765 S * 8/2012 Oh D14/138 G
 D666,981 S * 9/2012 Kim et al. D14/138 G
 D675,585 S * 2/2013 Park et al. D14/138 G

D676,818 S * 2/2013 Park et al. D14/138 G
 2007/0285401 A1 * 12/2007 Ohki et al. 345/173
 2009/0312065 A1 * 12/2009 Wang et al. 455/566

OTHER PUBLICATIONS

Motorola Motoluxe, announced Jan. 2012, [online], [retrieved on Feb. 3, 2012]. Retrieved from Internet, <URL: <http://www.gsmarena.com>>.*
 Motorola XT390, announced Apr. 2012, [online], [retrieved on May 10, 2012]. Retrieved from Internet, <URL: <http://www.gsmarena.com>>.*
 Motorola Atrix TV XT682, announced May 2012, [online], [retrieved on Aug. 21, 2012]. Retrieved from Internet, <URL: <http://www.gsmarena.com>>.*
 Motorola Atrix TV XT687, announced May 2012, [online], [retrieved on Aug. 21, 2012]. Retrieved from Internet, <URL: <http://www.gsmarena.com>>.*
 Ye Xu, "Communication Device", Jul. 27, 2010, U.S. Appl. No. 29/366,531.
 Daniel Mota Veiga, "communication Device", Apr. 28, 2012, U.S. Appl. No. 29/390,661.
 Cheol Woo Park, "Communication Device", Dec. 7, 2011, U.S. Appl. No. 29/408,145.

* cited by examiner

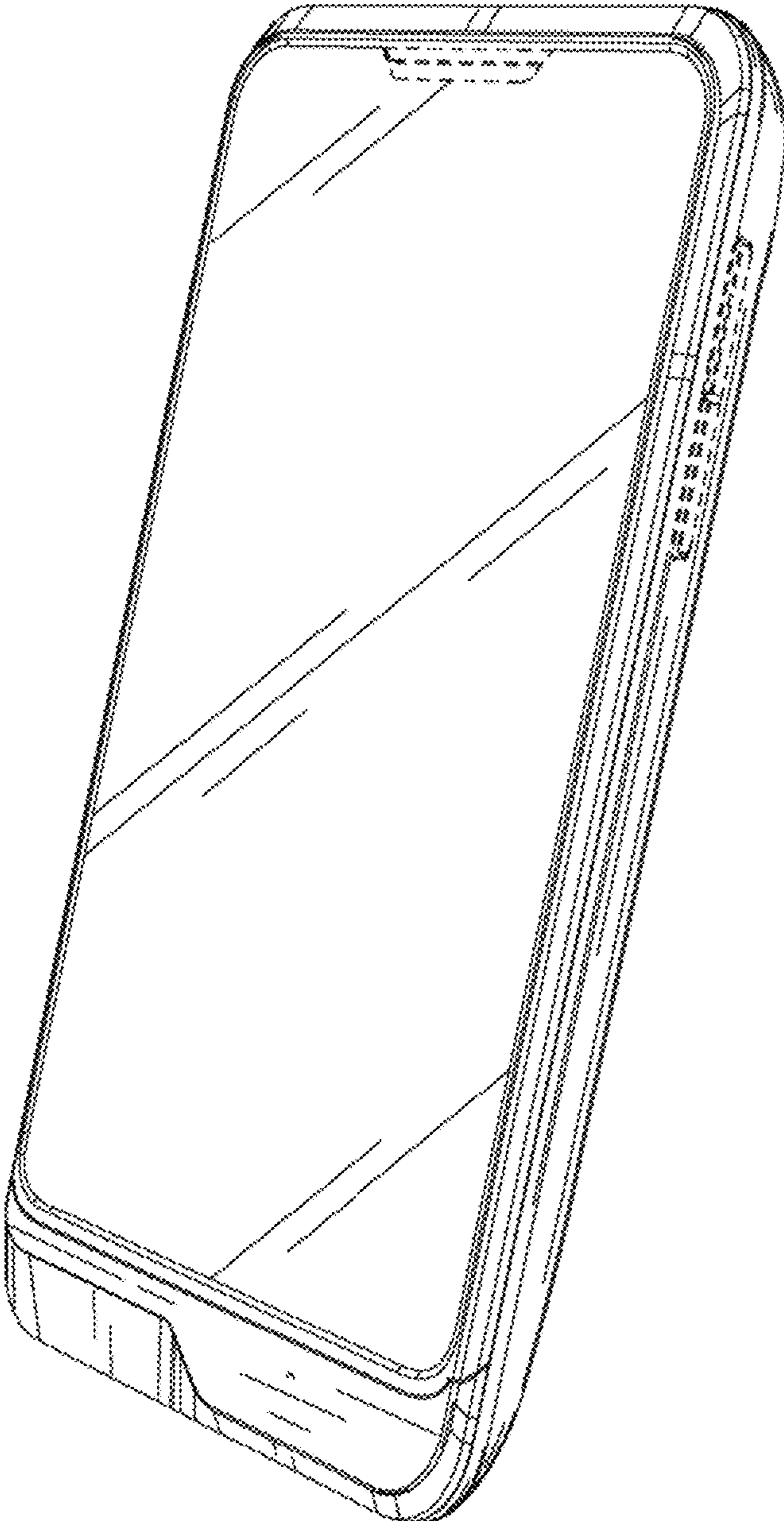


FIG. 1

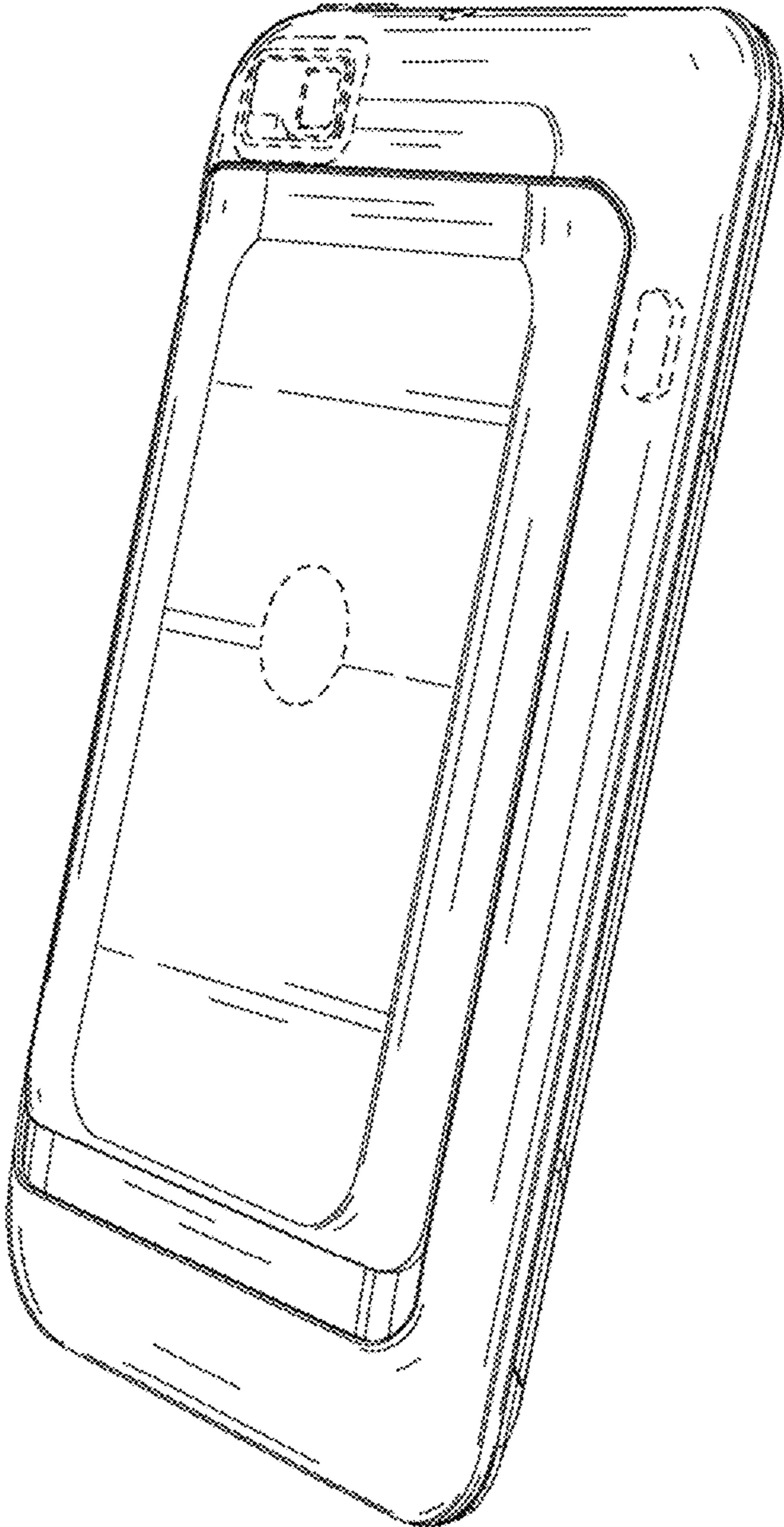


FIG. 2

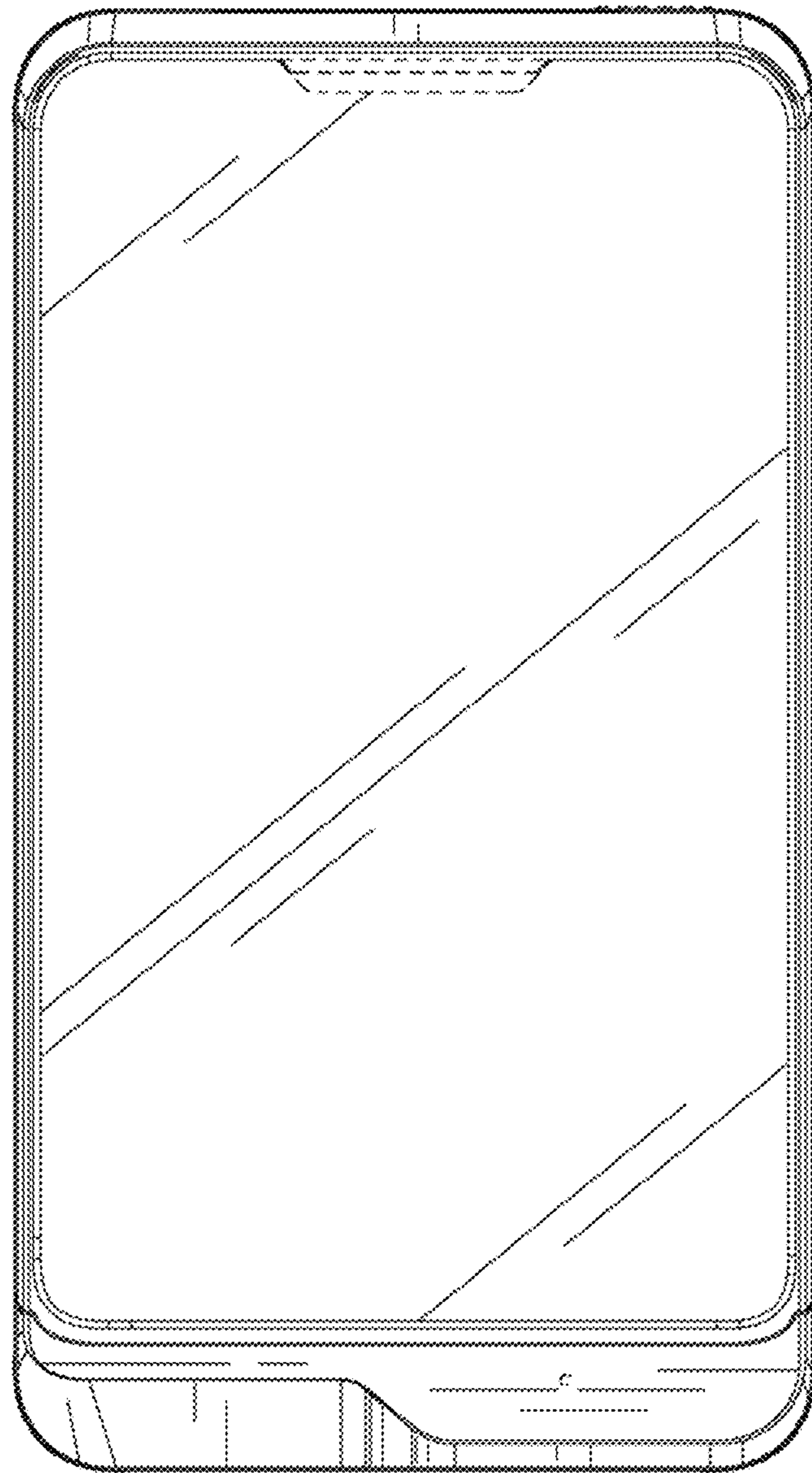


FIG. 3

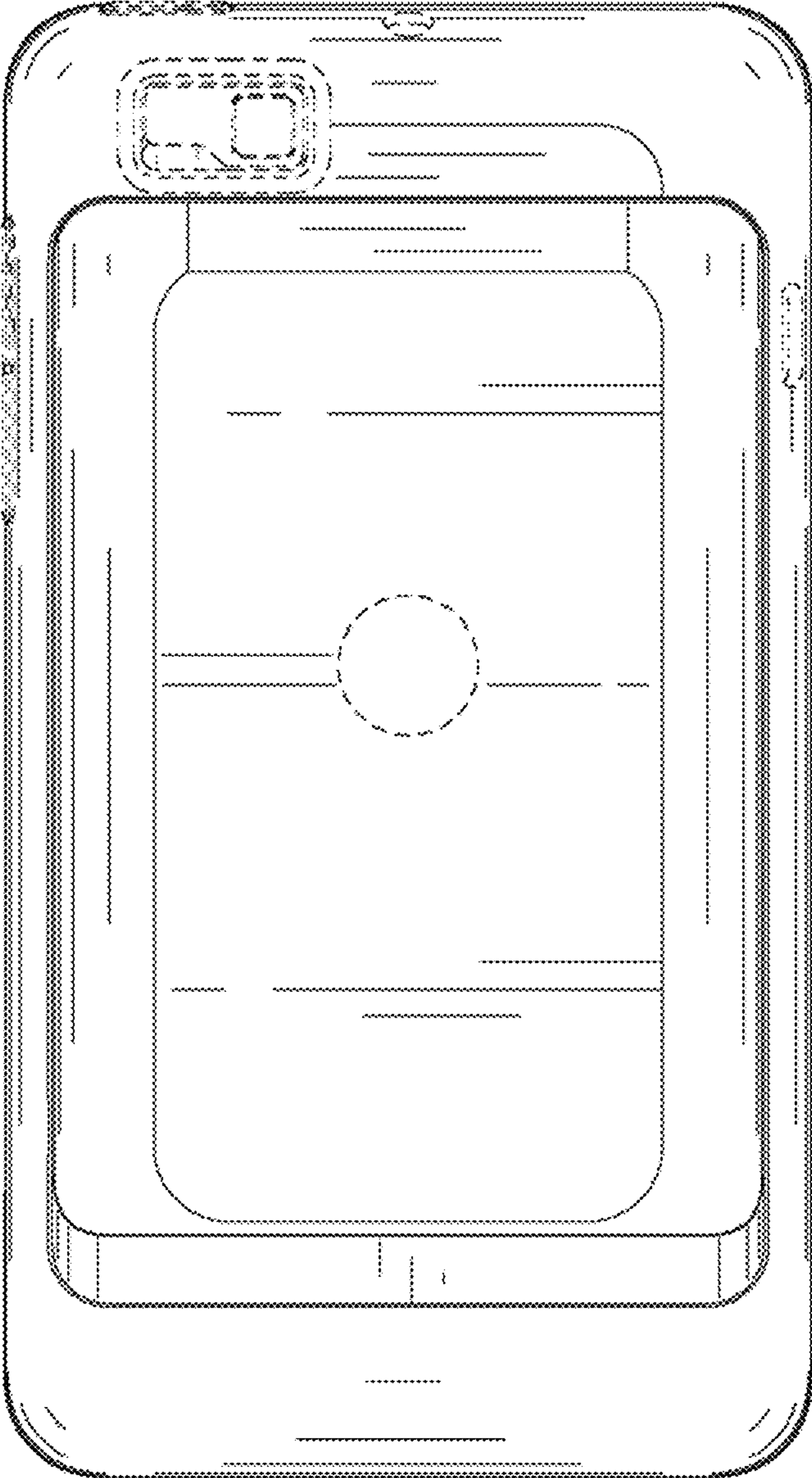


FIG. 4

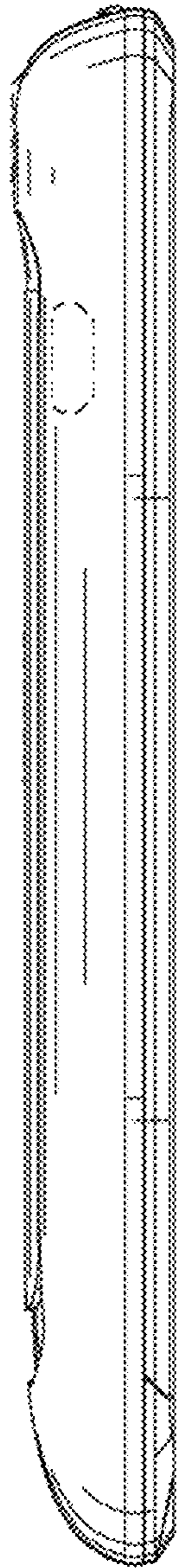


FIG. 5

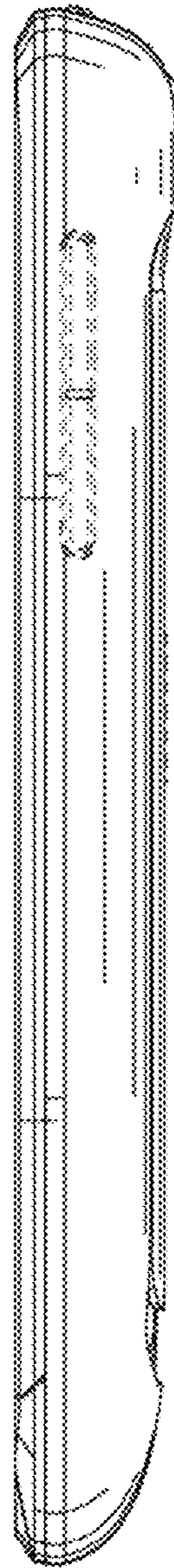


FIG. 6

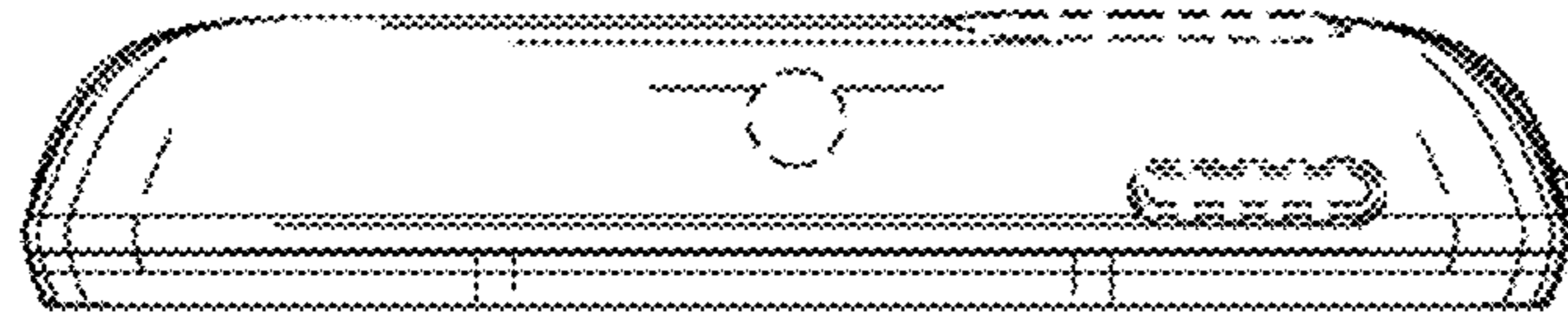


FIG. 7

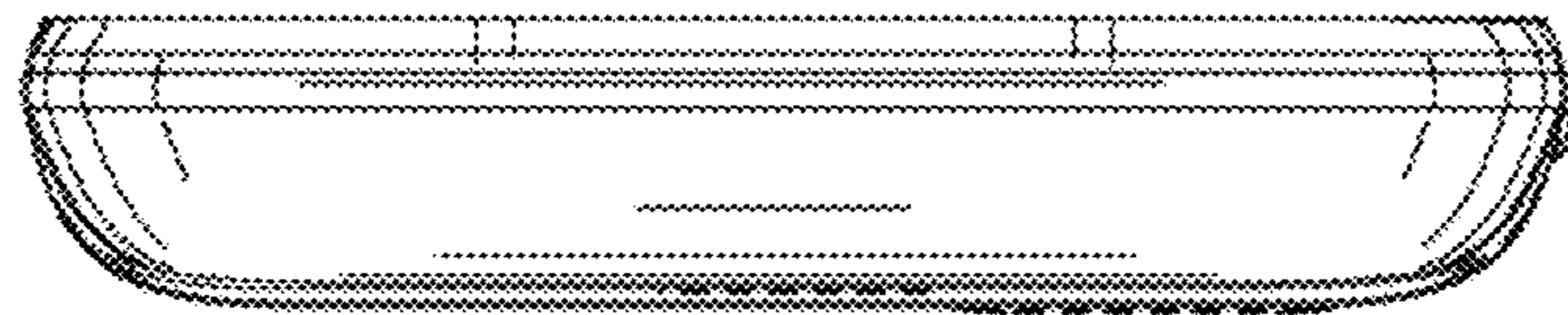


FIG. 8

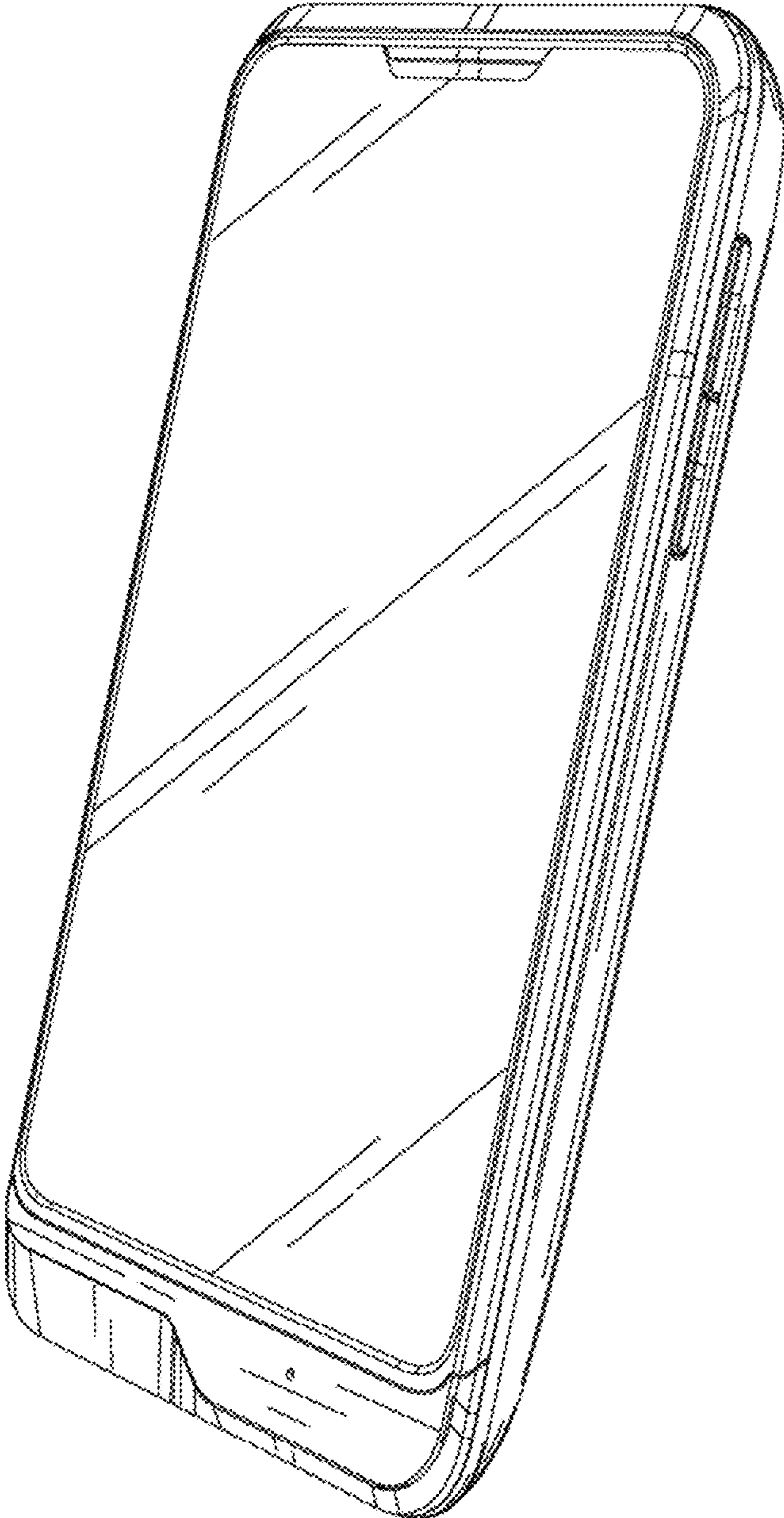


FIG. 9

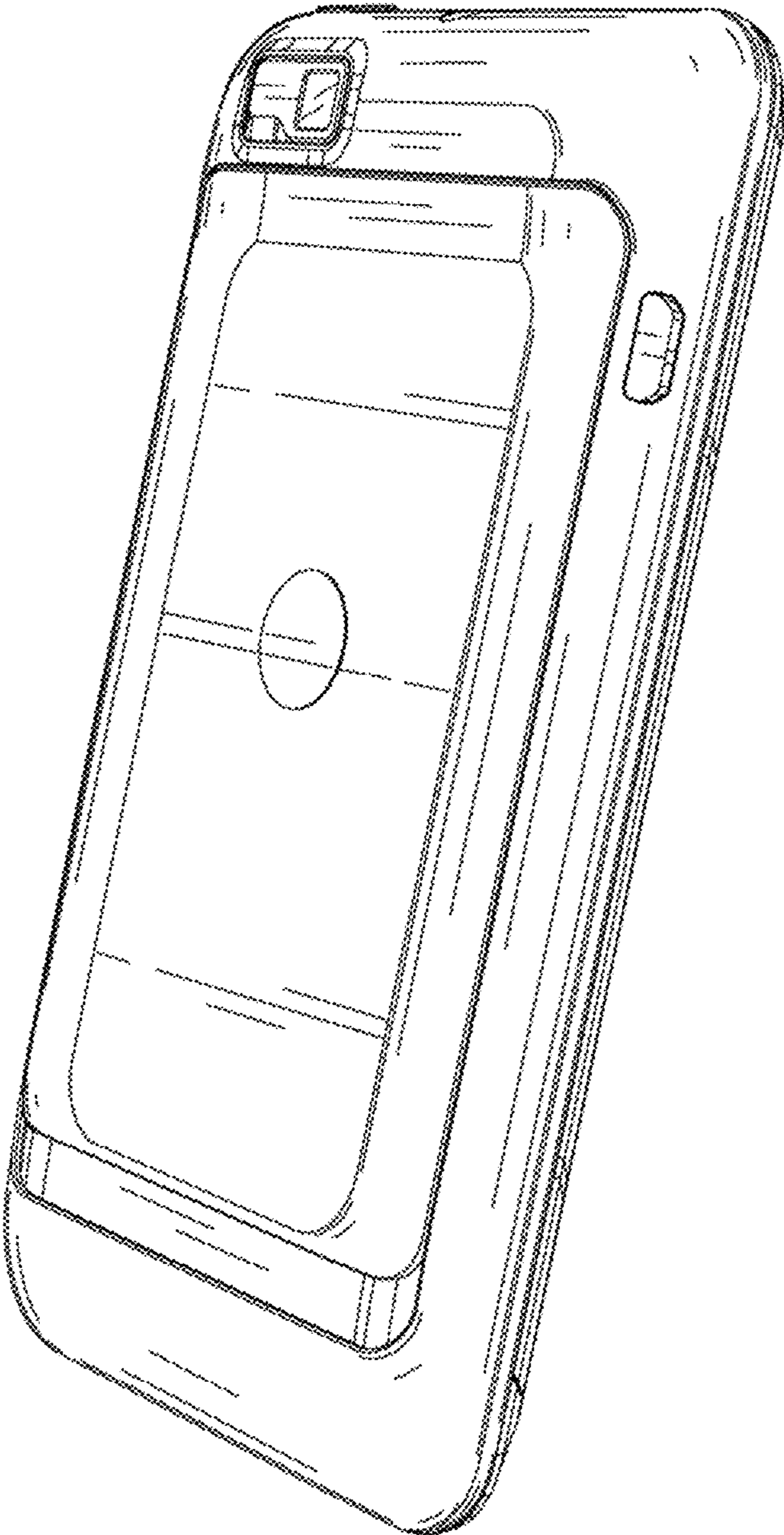


FIG. 10

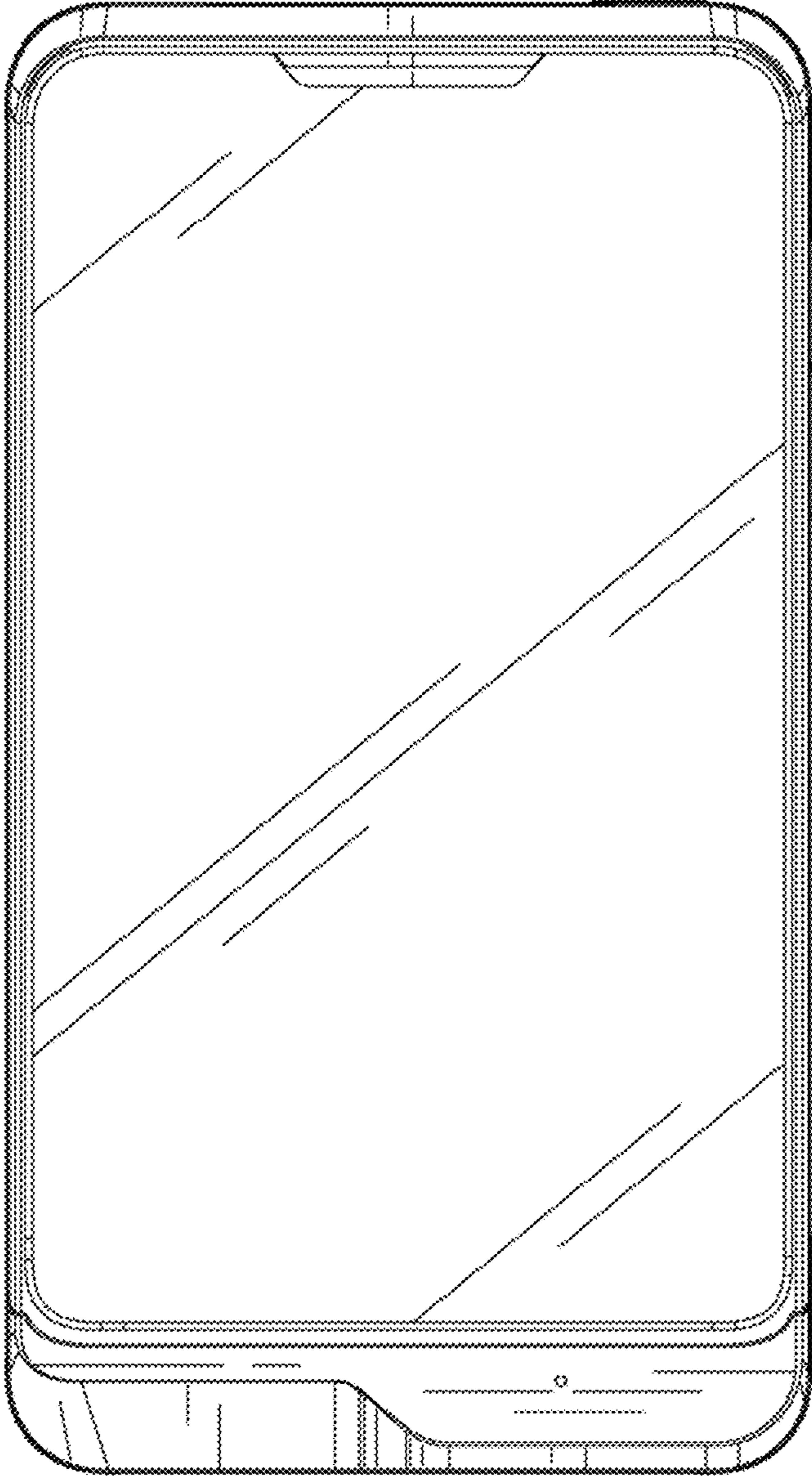


FIG. 11

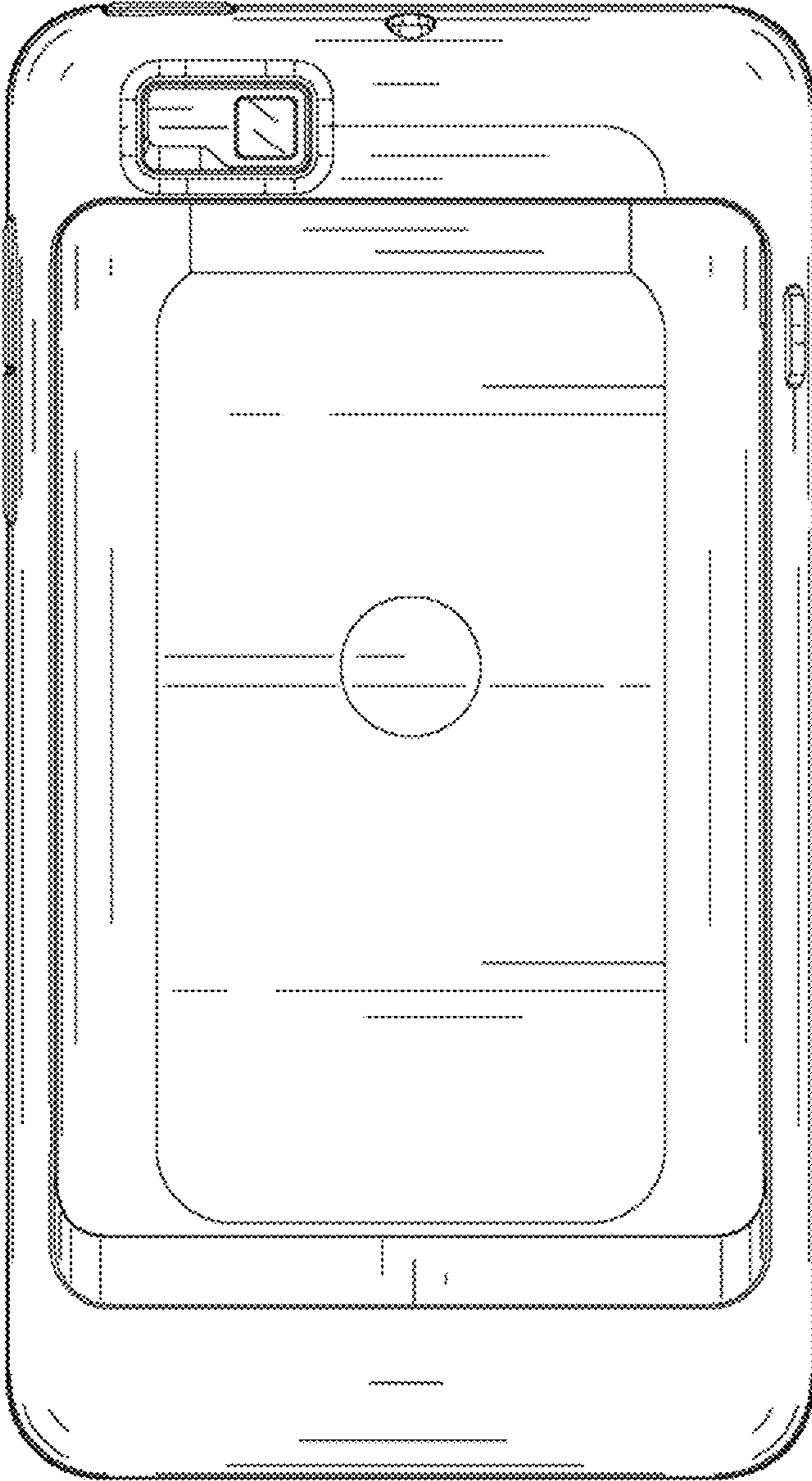


FIG. 12

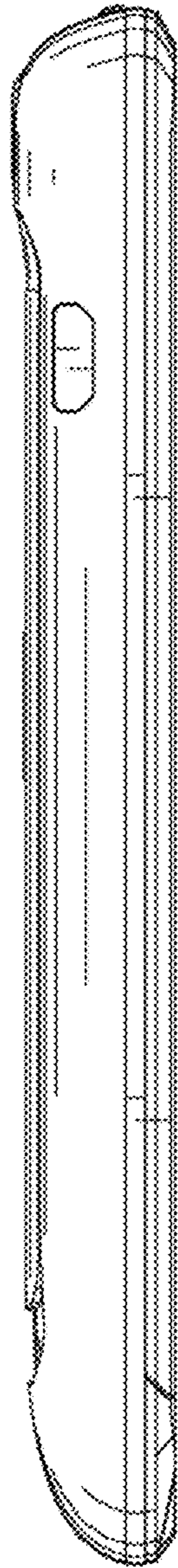


FIG. 13

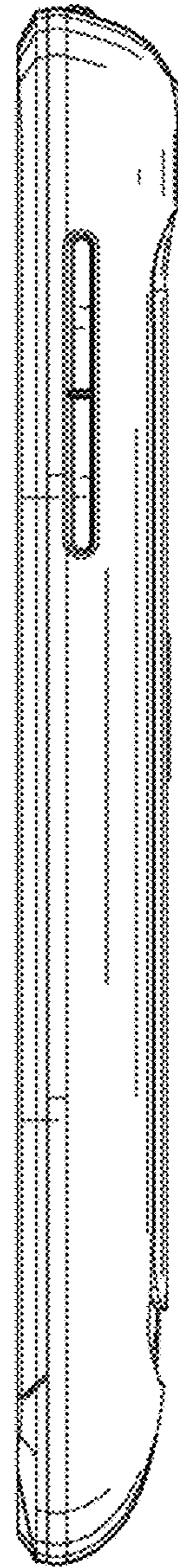


FIG. 14

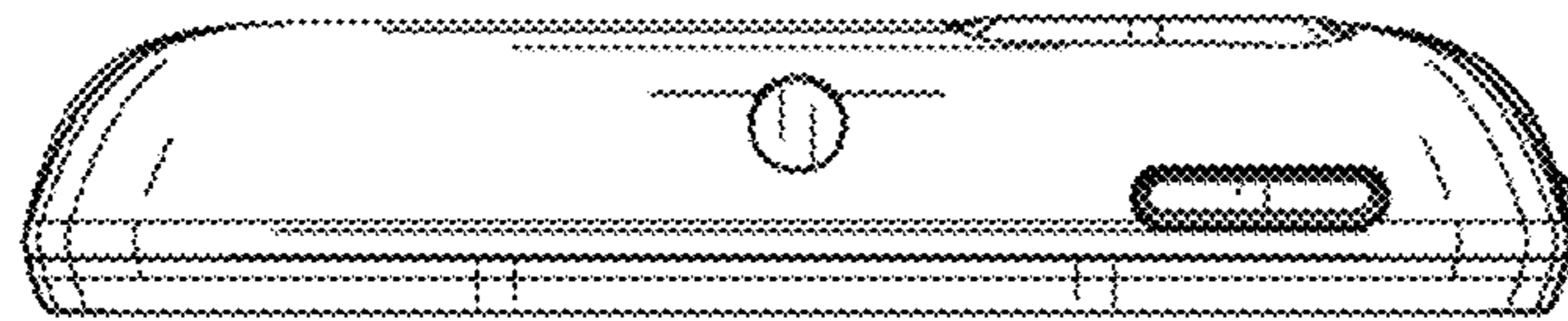


FIG. 15

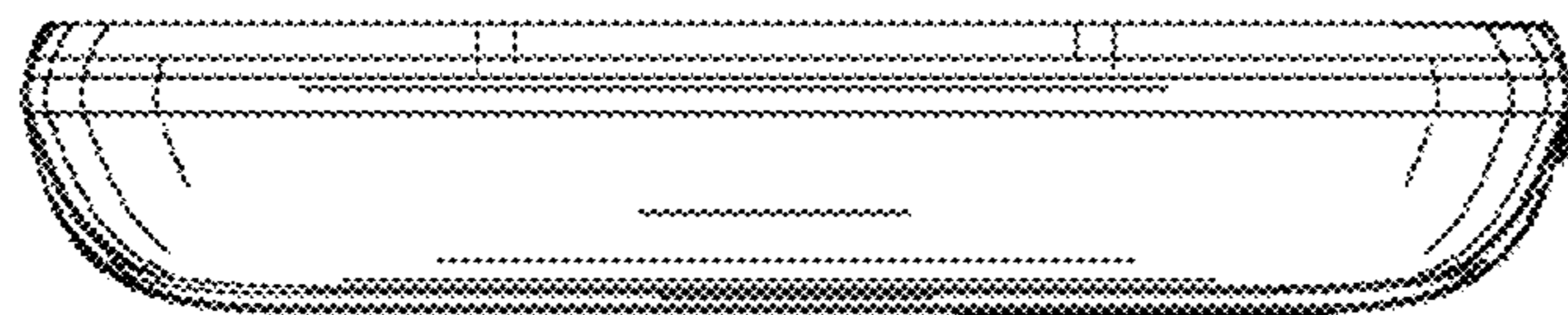


FIG. 16