



US00D697883S

(12) **United States Design Patent**  
**Choi**

(10) **Patent No.:** **US D697,883 S**  
(45) **Date of Patent:** **\*\* Jan. 21, 2014**

(54) **MONITOR**

(71) Applicant: **Samsung Electronics Co., Ltd.**,  
Suwon-Si (KR)  
(72) Inventor: **Gyoo-Sang Choi**, Kyunggi-do (KR)  
(73) Assignee: **Samsung Electronics Co., Ltd.**, Suwon  
(KR)  
(\*\*) Term: **14 Years**

(21) Appl. No.: **29/453,875**

(22) Filed: **May 3, 2013**

**Related U.S. Application Data**

(63) Continuation-in-part of application No. 29/425,733,  
filed on Jun. 26, 2012, now Pat. No. Des. 683,709.

(51) **LOC (10) Cl.** ..... **14-03**

(52) **U.S. Cl.**  
USPC ..... **D14/126**

(58) **Field of Classification Search**  
USPC ..... D14/125-134, 239, 371, 136, 374-377,  
D14/440, 450, 448, 336, 342, 159; 312/7.2;  
348/836, 838, 180, 184, 325, 739;  
341/12; 248/917-924, 465; 345/104,  
345/133, 156, 168, 87, 173; 720/605, 669,  
720/600, 655; 369/99, 197; D21/329, 515,  
D21/577, 622, 333, 433, 448, 452, 450,  
D21/331; D6/477, 479, 300; 273/148 B;  
446/484, 175, 356; D10/15, 26

See application file for complete search history.

(56) **References Cited**

**U.S. PATENT DOCUMENTS**

D526,291	S	*	8/2006	Anzures .....	D14/126
D554,639	S	*	11/2007	Kim et al. ....	D14/375
D581,405	S	*	11/2008	Yokota .....	D14/239
D587,663	S	*	3/2009	Cometti .....	D14/126
D609,661	S	*	2/2010	VanDuyn et al. ....	D14/126
D636,745	S	*	4/2011	Yokota et al. ....	D14/126
D643,001	S	*	8/2011	Shimizu .....	D14/126
D651,995	S	*	1/2012	Johnson et al. ....	D14/126
D652,399	S	*	1/2012	Chiu .....	D14/126

\* cited by examiner

*Primary Examiner* — Raphael Barkai

(74) *Attorney, Agent, or Firm* — Wood, Herron & Evans,  
LLP

(57) **CLAIM**

The ornamental design for a monitor, as shown and described.

**DESCRIPTION**

FIG. 1 is a top front perspective view of a monitor showing  
my new design;

FIG. 2 is a front view thereof;

FIG. 3 is a rear view thereof;

FIG. 4 is a left side view thereof;

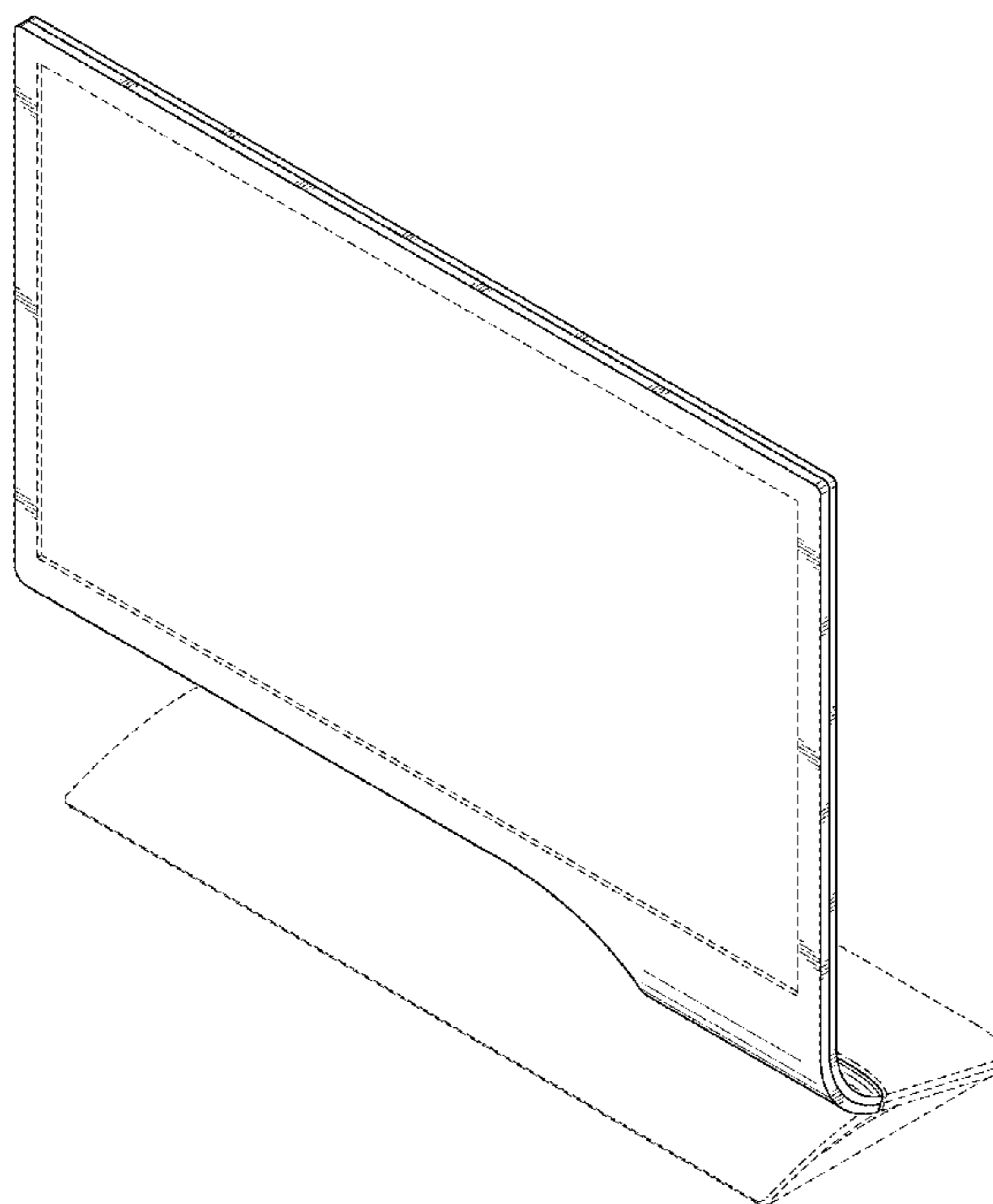
FIG. 5 is a right side view thereof;

FIG. 6 is a top view thereof; and,

FIG. 7 is a bottom view thereof.

The broken lines illustrating portions of the monitor are for  
environmental purposes only and form no part of the claimed  
design.

**1 Claim, 5 Drawing Sheets**



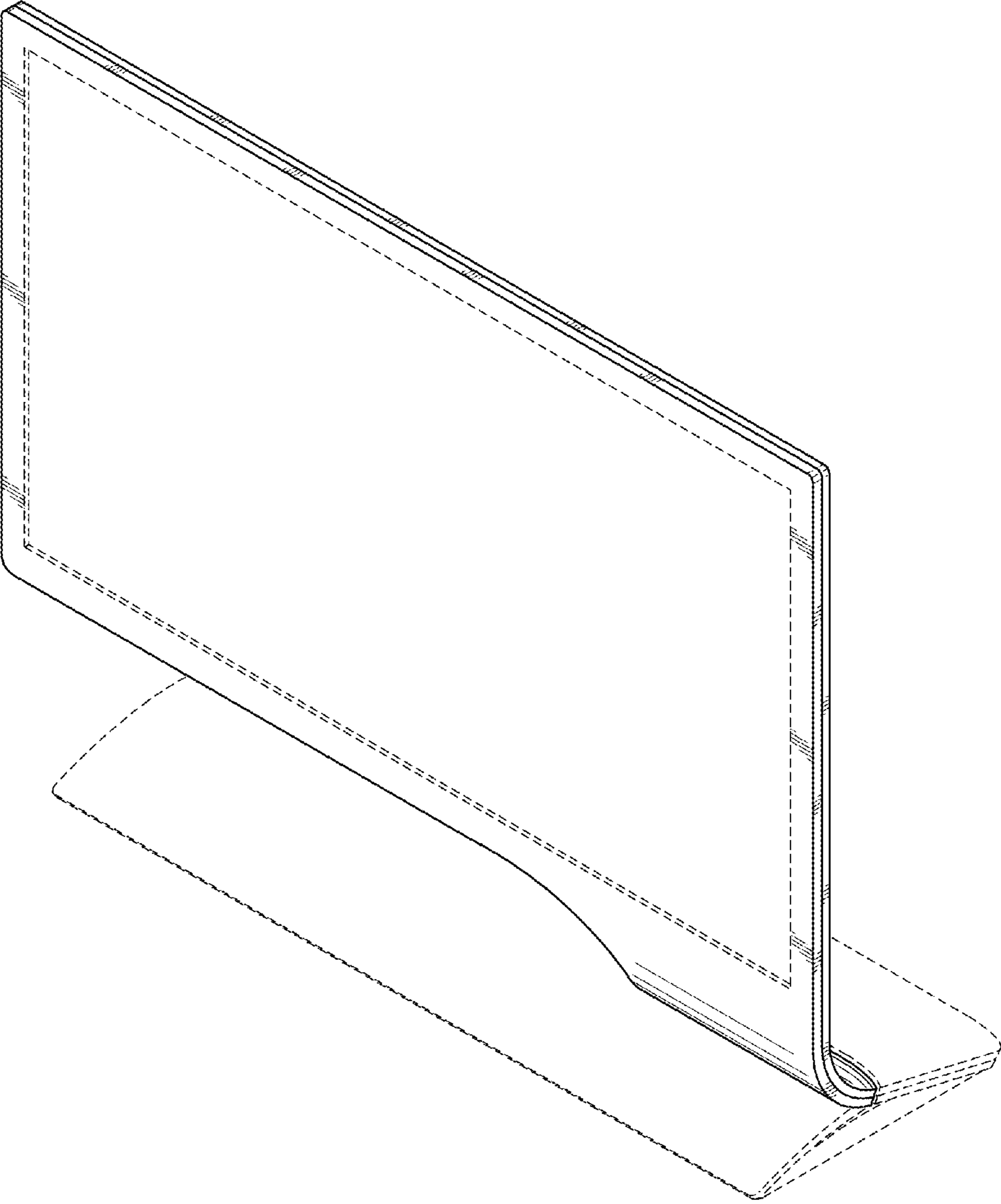


FIG.1

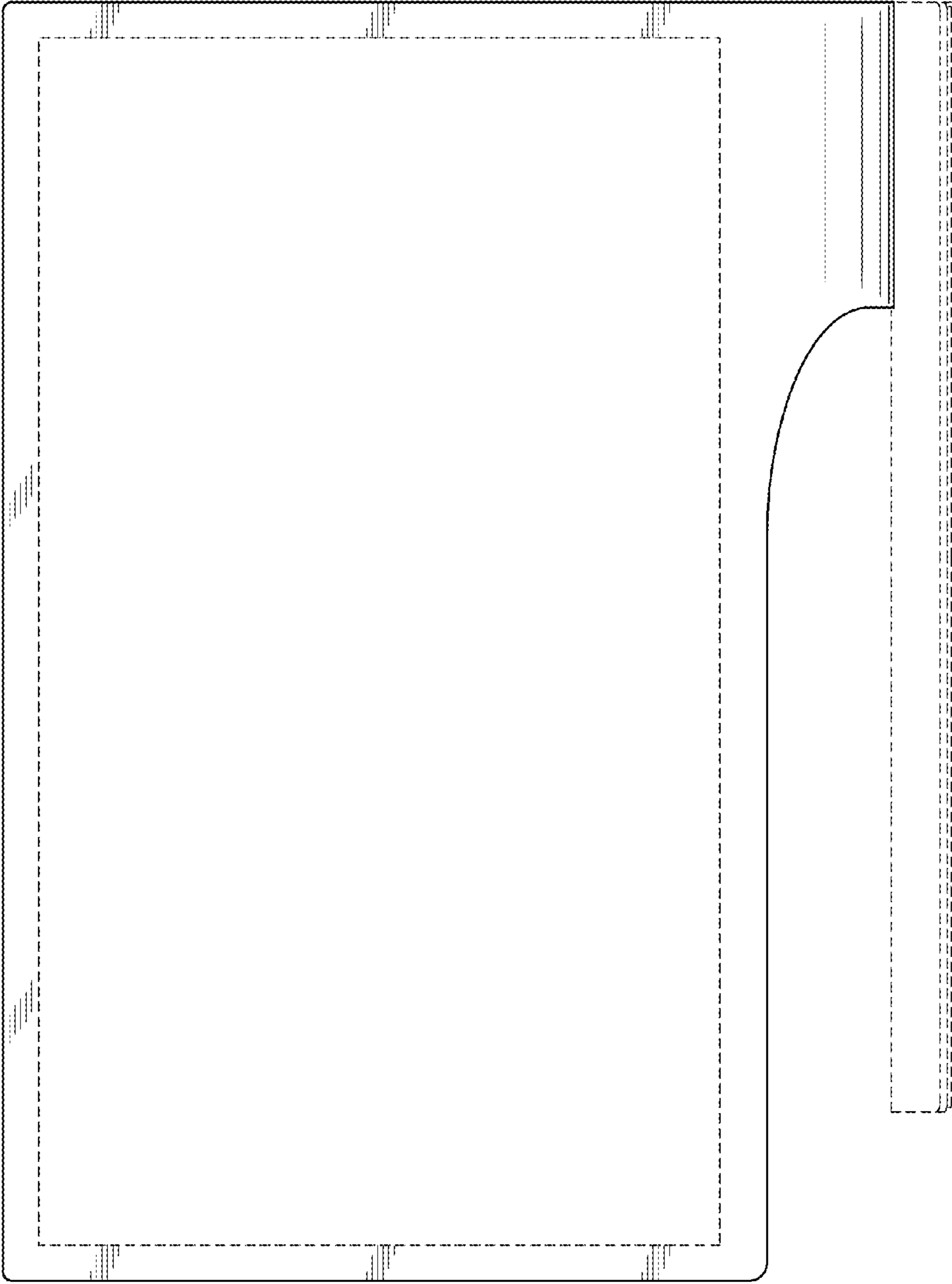


FIG.2

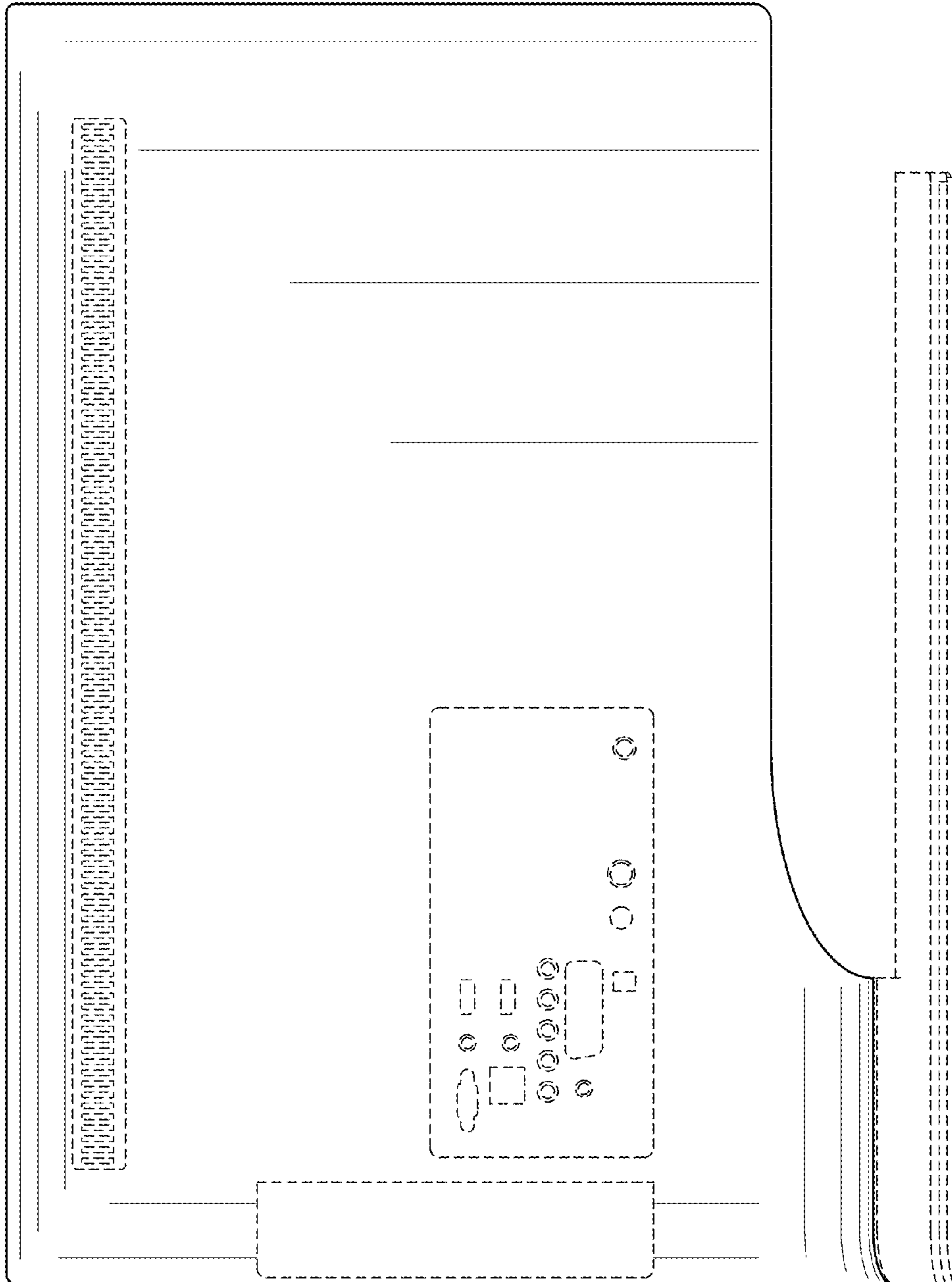


FIG.3

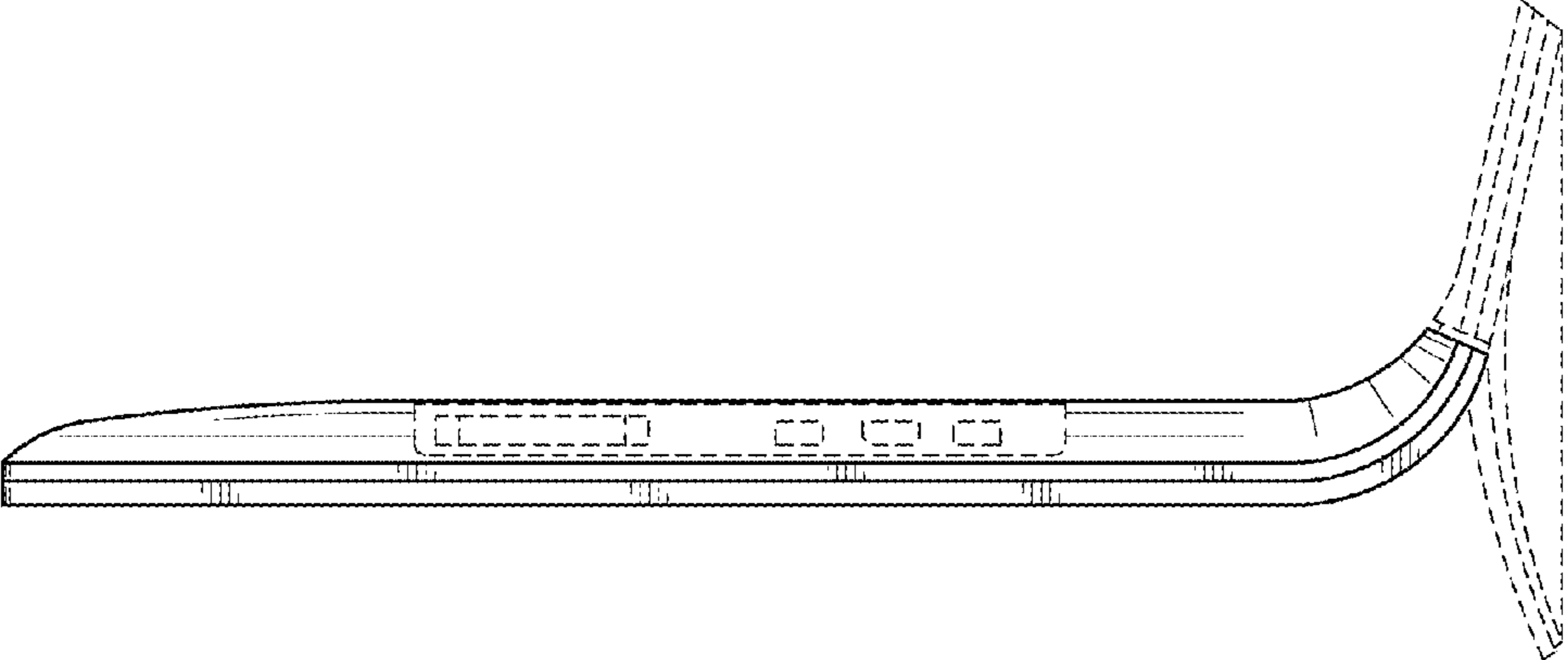


FIG.5

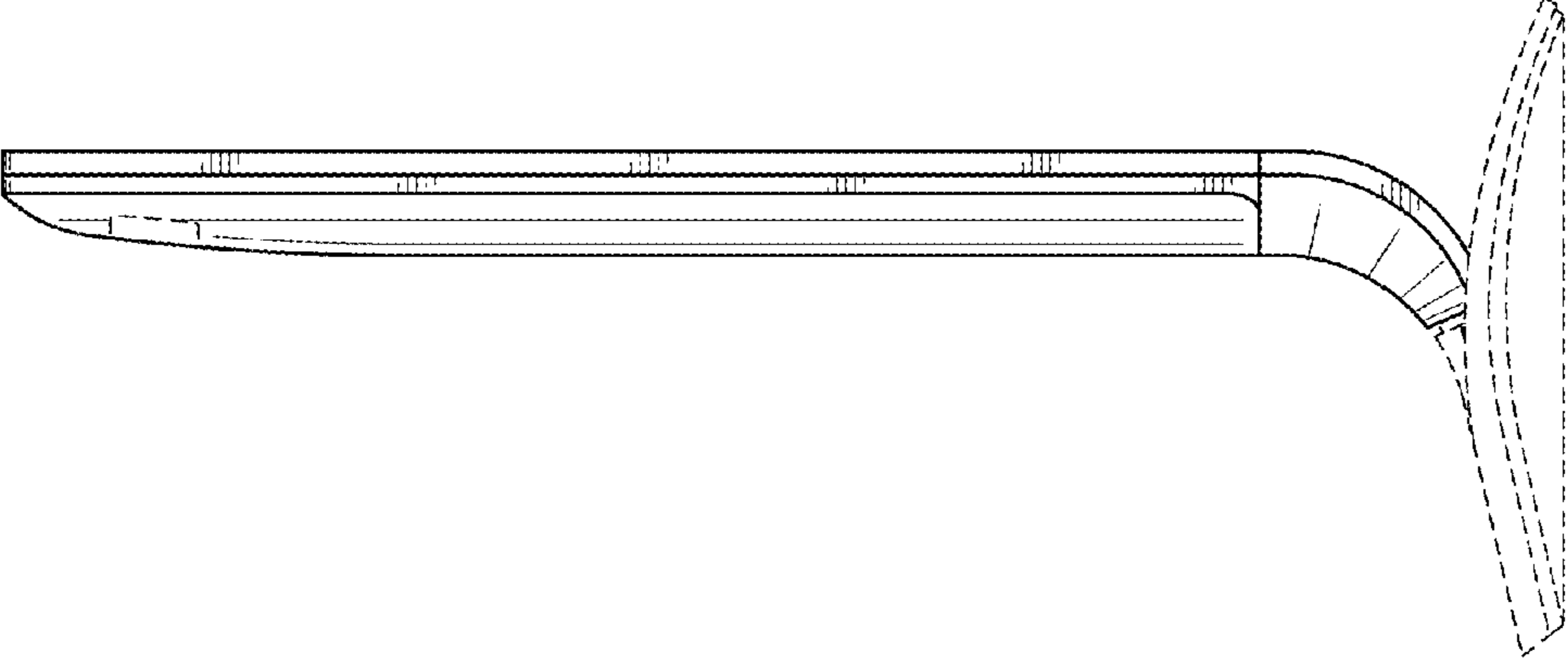


FIG.4

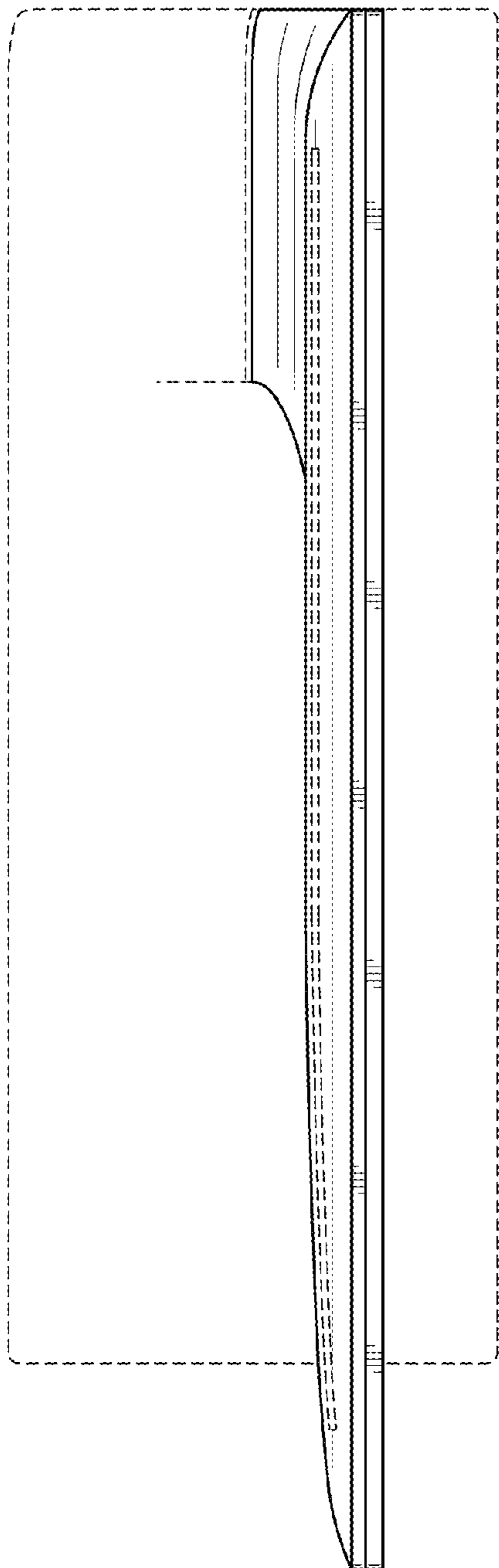


FIG. 6

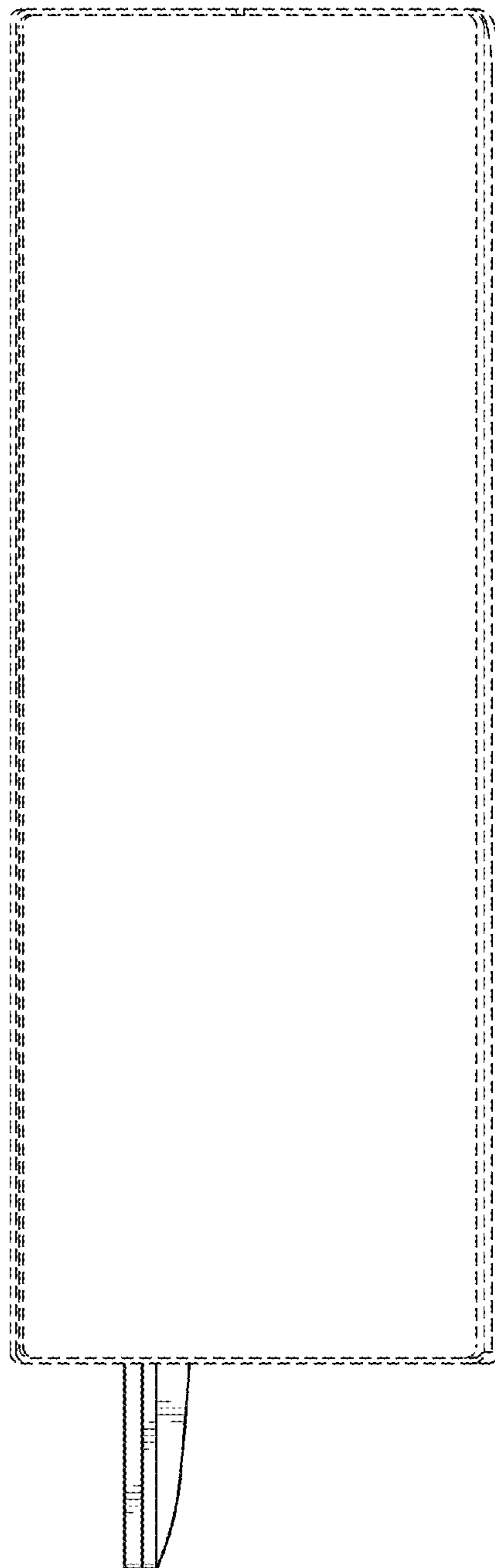


FIG. 7