

US00D697882S

(12) **United States Design Patent**  
**Seong**

(10) **Patent No.:** **US D697,882 S**  
(45) **Date of Patent:** **\*\* Jan. 21, 2014**

(54) **TELEVISION RECEIVER**

(71) Applicant: **Samsung Electronics Co., Ltd.**,  
Suwon-si (KR)

(72) Inventor: **Bo-Kyung Seong**, Seoul (KR)

(73) Assignee: **Samsung Electronics Co., Ltd.**,  
Suwon-si (KR)

(\*\*) Term: **14 Years**

(21) Appl. No.: **29/449,648**

(22) Filed: **Mar. 15, 2013**

(30) **Foreign Application Priority Data**

Oct. 23, 2012 (KR) ..... 30-2012-0050296

(51) **LOC (10) Cl.** ..... **14-03**

(52) **U.S. Cl.**  
USPC ..... **D14/126**

(58) **Field of Classification Search**  
USPC ..... D14/125-134, 239, 371, 136, 374-377,  
D14/440, 450, 448, 336, 342, 159; 312/7.2;  
348/836, 838, 180, 184, 325, 739;  
341/12; 248/917-924, 465; 345/104,  
345/133, 156, 168, 87, 173; 720/605, 669,  
720/600, 655; 369/99, 197; D21/329, 515,  
D21/577, 622, 333, 433, 448, 452, 450,  
D21/331; D6/477, 479, 300; 273/148 B;  
446/484, 175, 356; D10/15, 26

See application file for complete search history.

(56) **References Cited**

U.S. PATENT DOCUMENTS

D536,677 S \* 2/2007 Kim et al. .... D14/126  
D539,242 S \* 3/2007 Lee et al. .... D14/126  
D597,041 S \* 7/2009 Cho et al. .... D14/126  
D667,806 S \* 9/2012 Asanuma et al. .... D14/129  
D669,047 S \* 10/2012 Asanuma et al. .... D14/126

\* cited by examiner

*Primary Examiner* — Raphael Barkai

(74) *Attorney, Agent, or Firm* — NSIP Law

(57) **CLAIM**

The ornamental design for a television receiver, as shown and described.

**DESCRIPTION**

FIG. 1 is a front perspective view of a television receiver; FIG. 2 is a front view of the television receiver of FIG. 1; FIG. 3 is a rear view of the television receiver of FIG. 1; FIG. 4 is a left-side view of the television receiver of FIG. 1; FIG. 5 is a right-side view of the television receiver of FIG. 1; FIG. 6 is a top plan view of the television receiver of FIG. 1; FIG. 7 is a bottom plan view of the television receiver of FIG. 1; and, FIG. 8 is a rear perspective view of the television receiver of FIG. 1.

Features shown in broken lines in FIGS. 1, 2, 3, 4, 5, 6, 7, and 8, form no part of the claimed design.

**1 Claim, 6 Drawing Sheets**

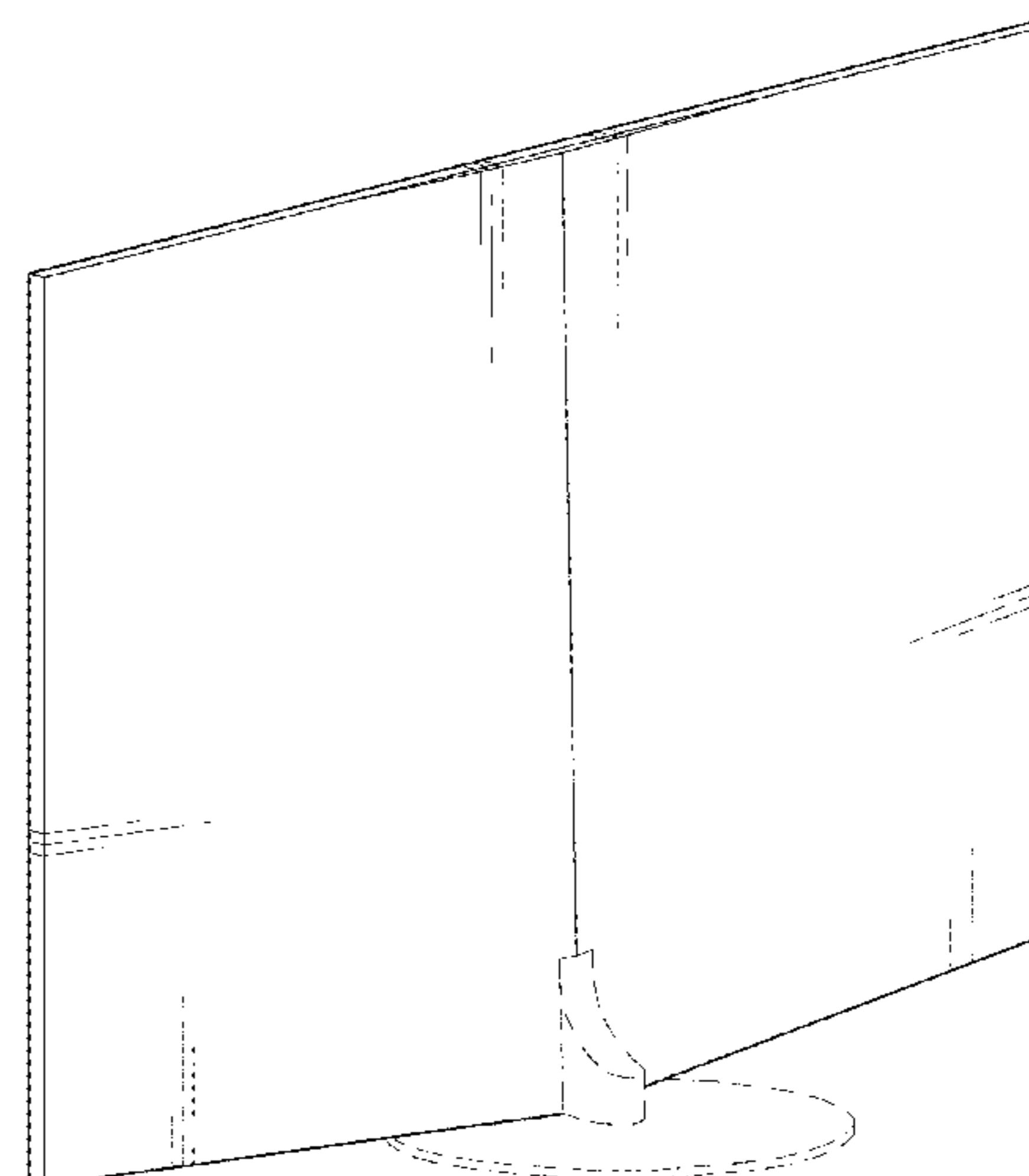
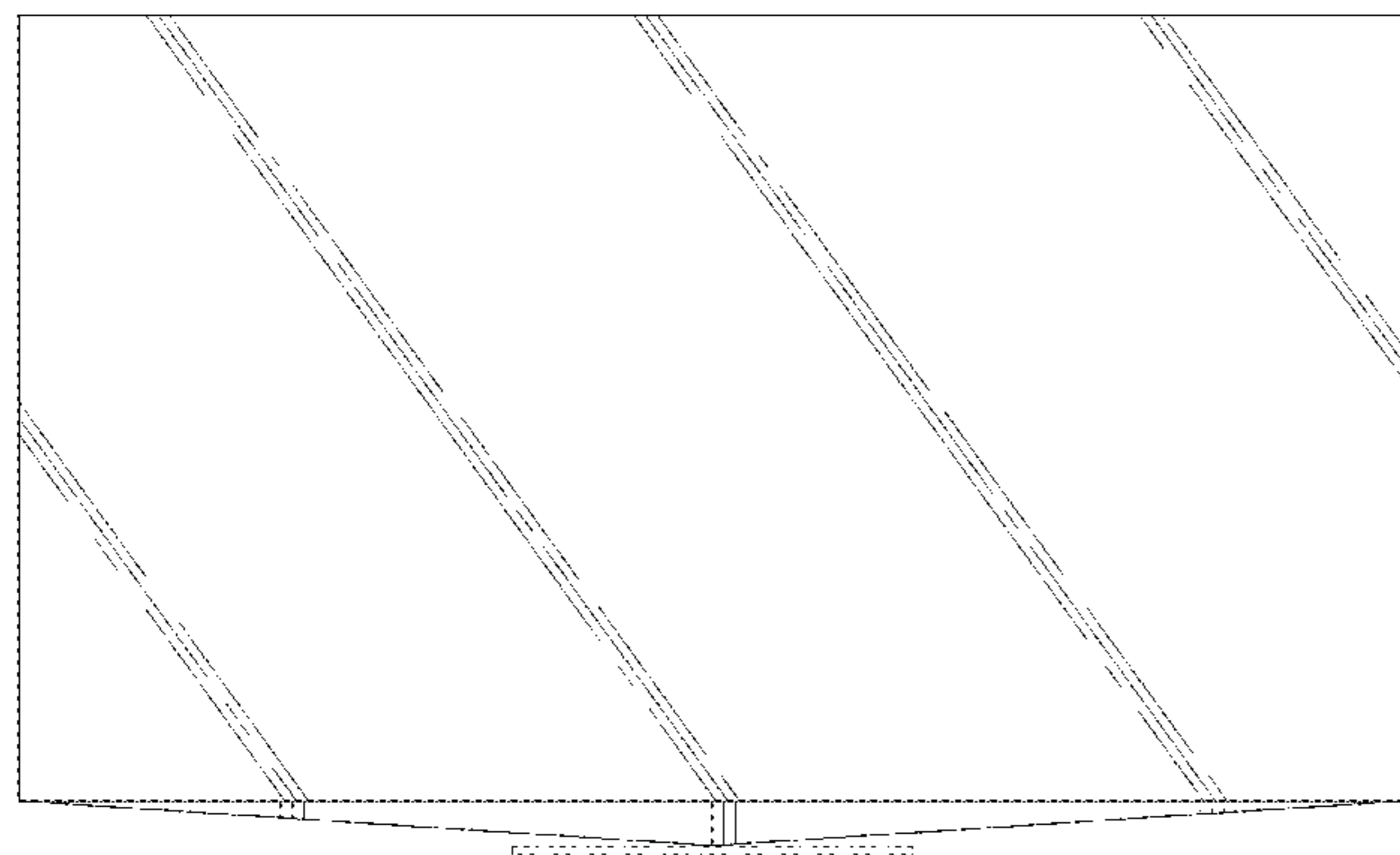


FIG. 1

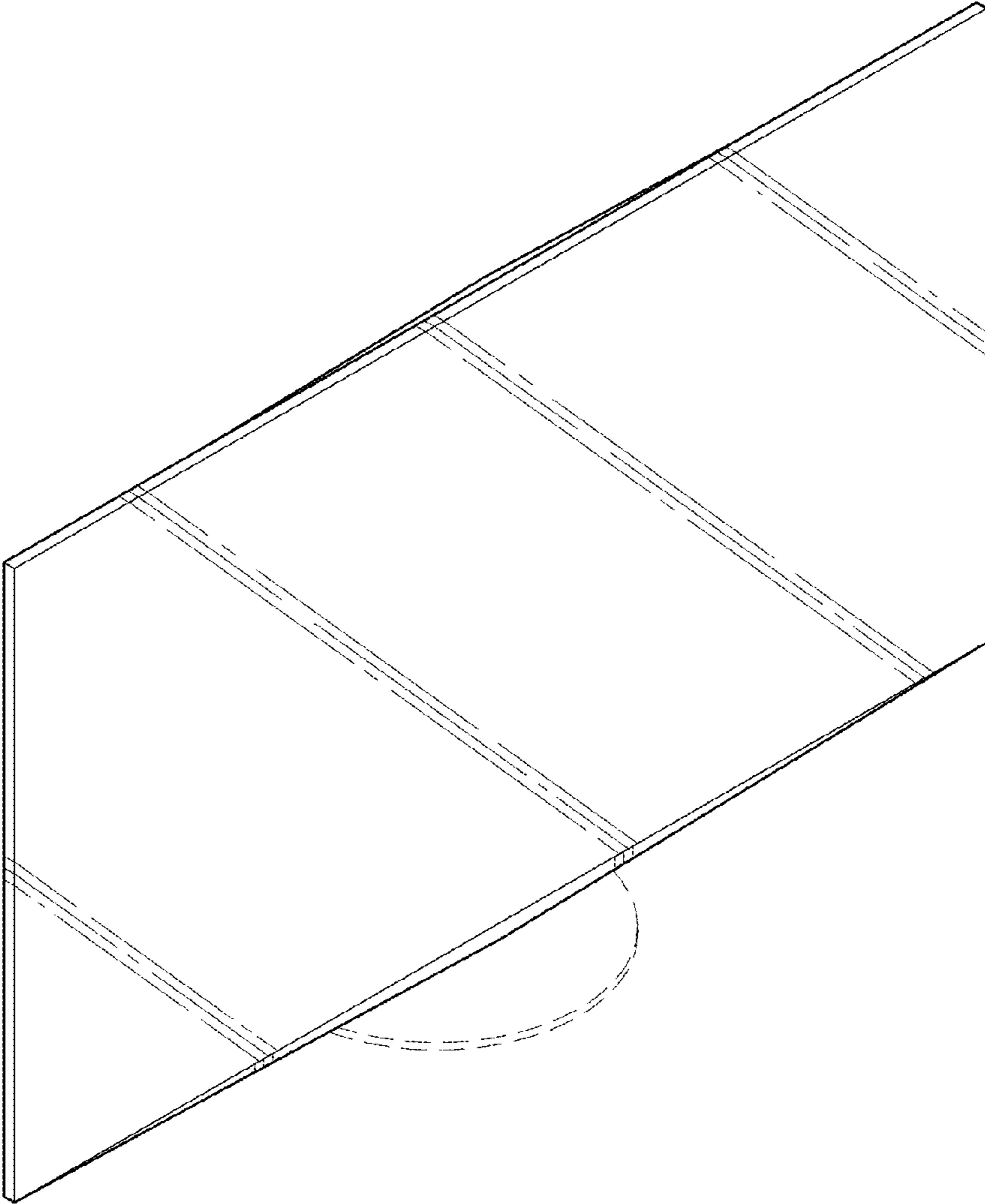


FIG. 2

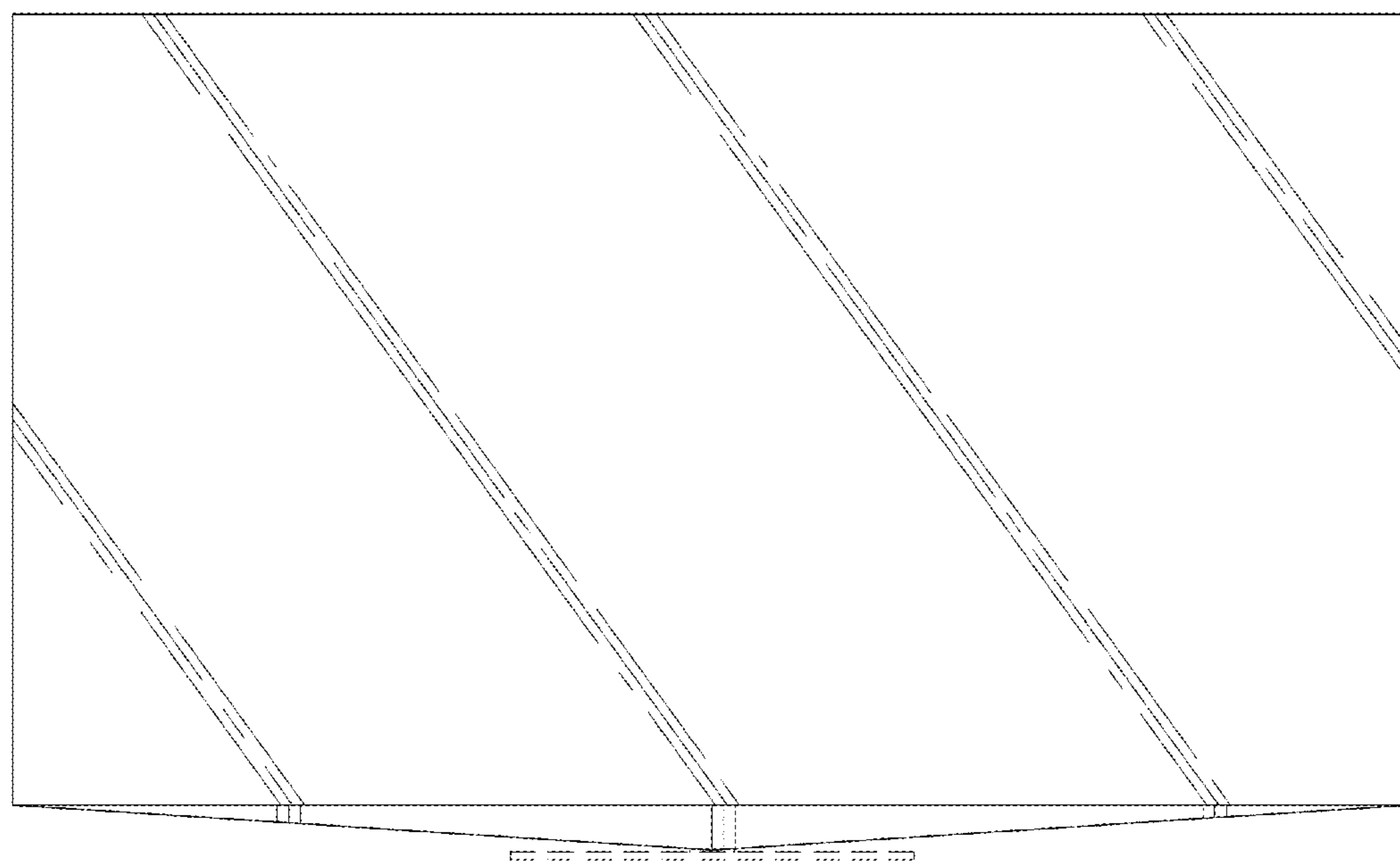


FIG. 3

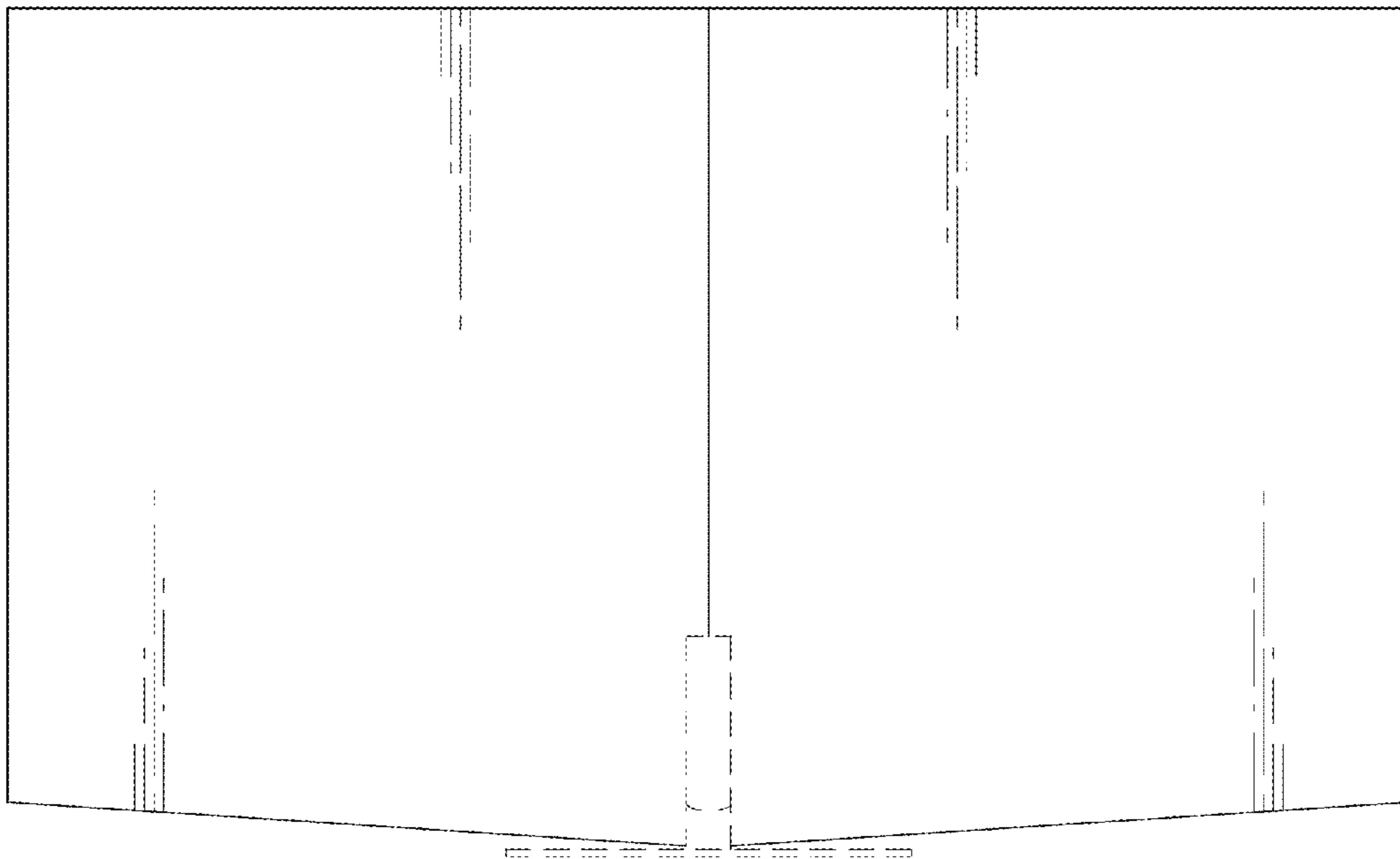


FIG. 4

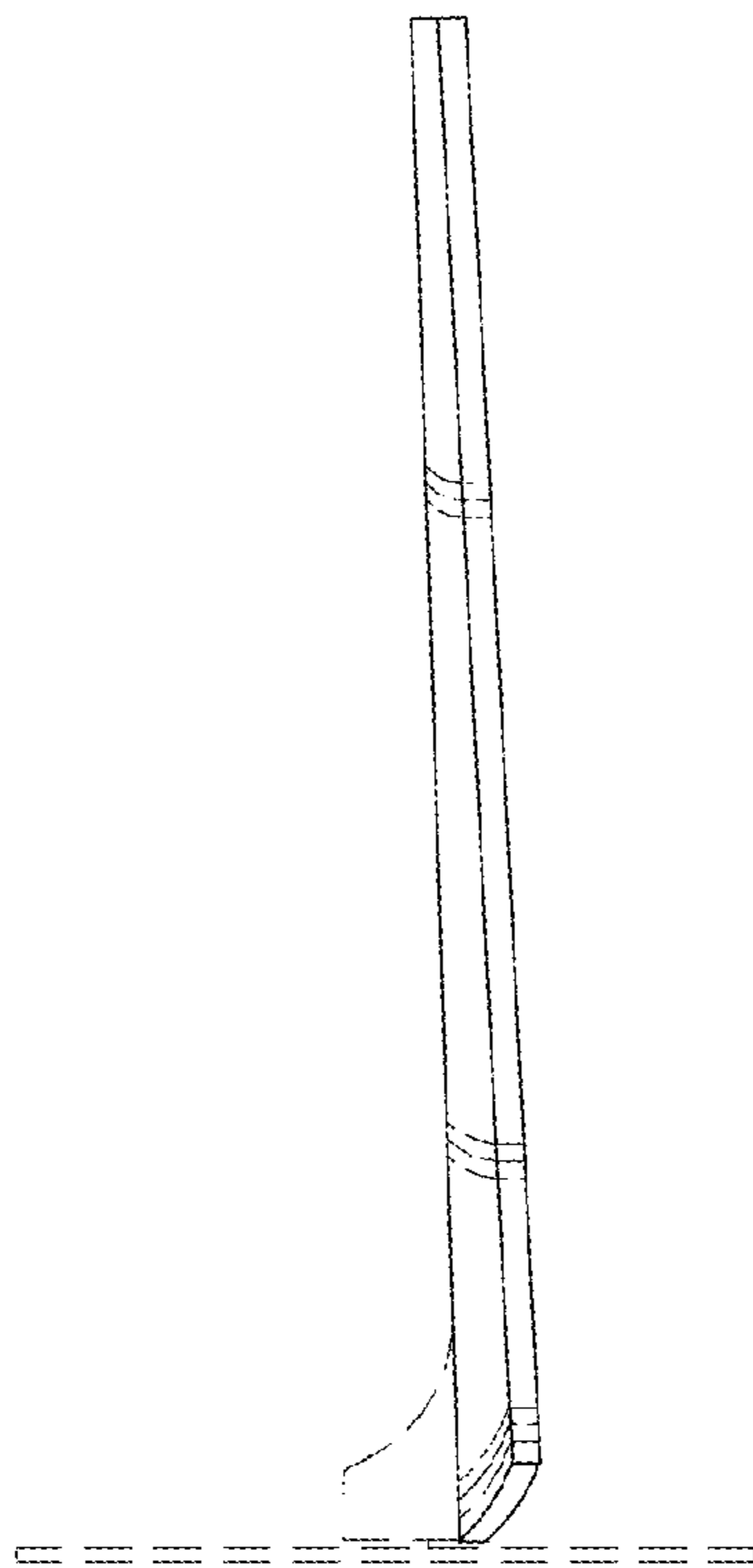


FIG. 5

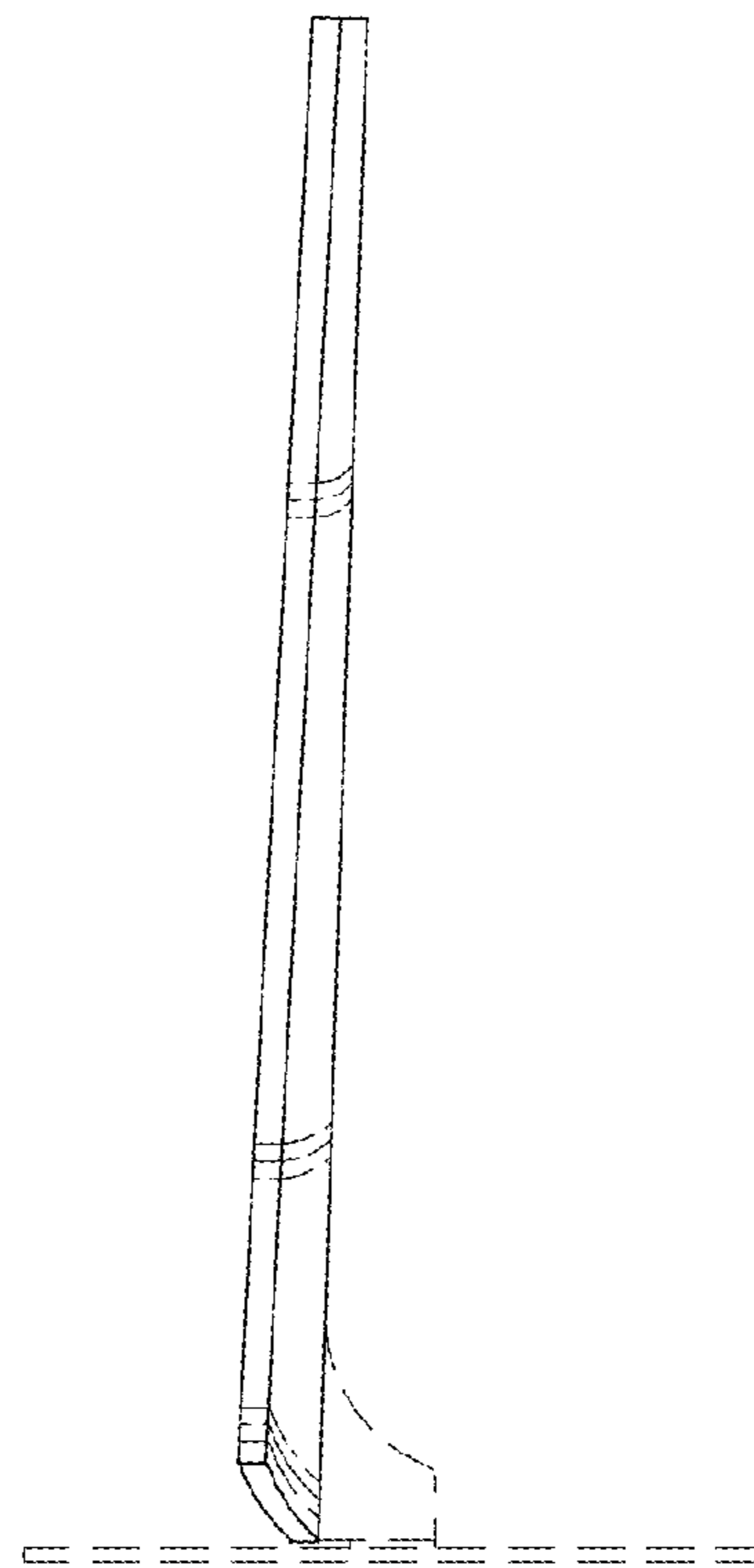


FIG. 6

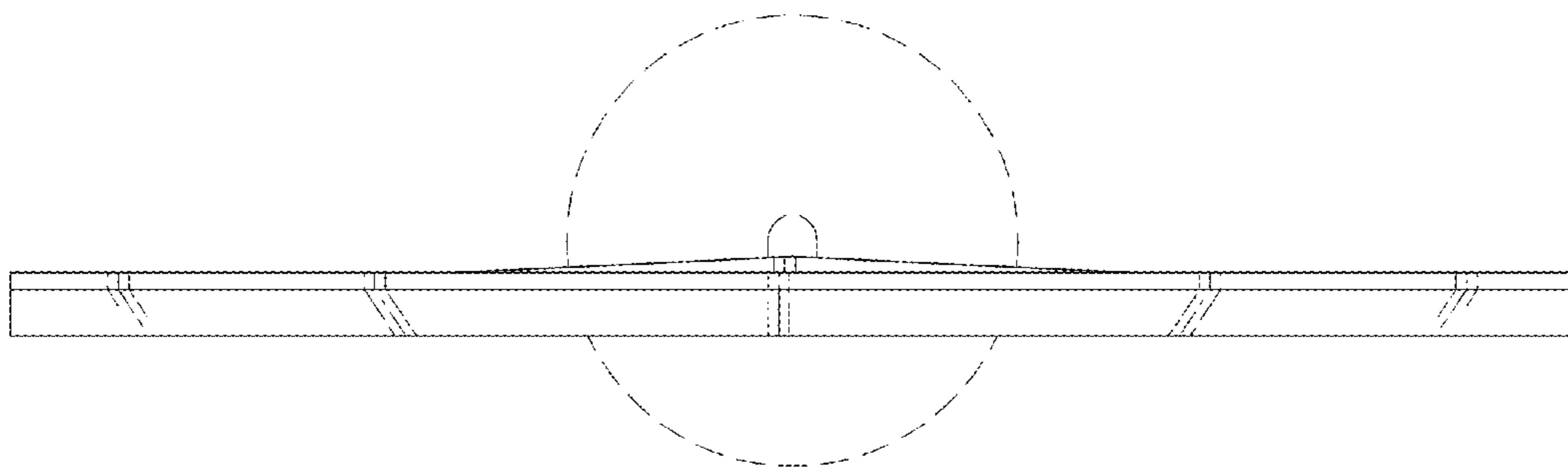


FIG. 7

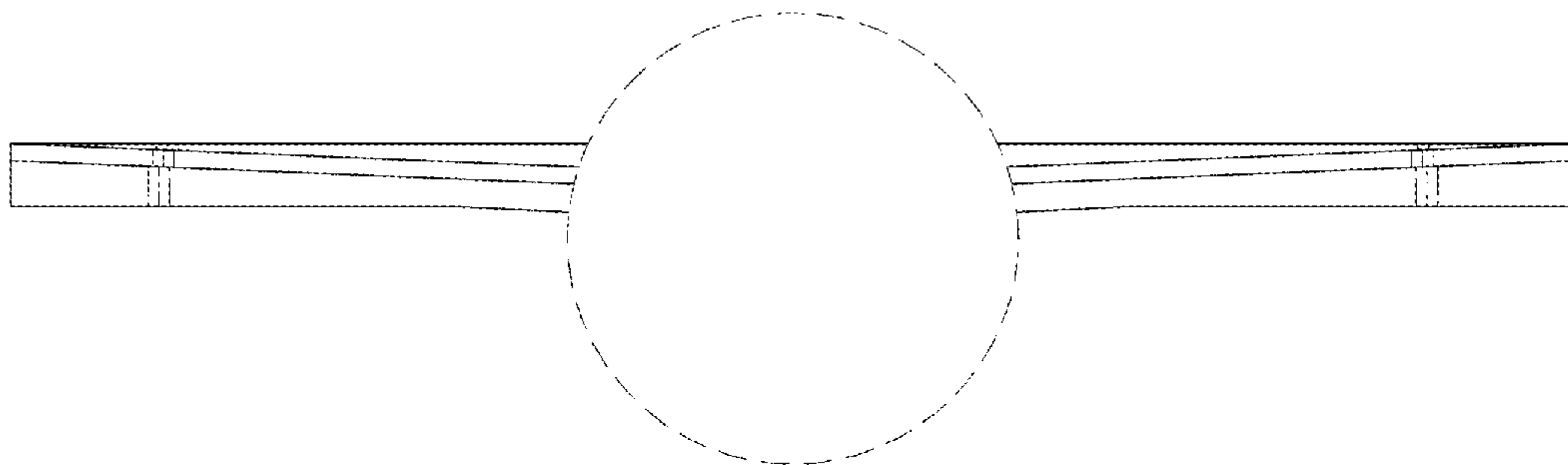


FIG. 8

