

US00D697881S

(12) **United States Design Patent**
Lee et al.

(10) **Patent No.:** **US D697,881 S**
(45) **Date of Patent:** **** Jan. 21, 2014**

(54) **MONITOR**
(75) Inventors: **Jung-Hyun Lee**, Seoul (KR); **Tae-Yeon Won**, Seoul (KR)
(73) Assignee: **Samsung Electronics Co., Ltd.**, Suwon, Kyunggi-do (KR)
(**) Term: **14 Years**

D619,979 S * 7/2010 Lee et al. D14/126
D620,902 S * 8/2010 Kim et al. D14/126
D622,235 S * 8/2010 Lee et al.
D630,209 S 1/2011 Lee et al.
D631,860 S * 2/2011 Chai et al. D14/126
D632,291 S * 2/2011 Park D14/374
D634,323 S * 3/2011 Park et al. D14/374
D635,975 S * 4/2011 Seo et al. D14/374
D649,947 S * 12/2011 Won et al. D14/126
D664,956 S * 8/2012 Lee et al. D14/371
D667,826 S * 9/2012 Lee et al. D14/374

(21) Appl. No.: **29/422,341**
(22) Filed: **May 18, 2012**
(51) **LOC (10) Cl.** **14-03**
(52) **U.S. Cl.**
USPC **D14/126**
(58) **Field of Classification Search**
USPC D14/125-134, 239, 371, 136, 374-377,
D14/440, 450, 448, 336, 342, 159; 312/7.2;
348/836, 838, 180, 184, 325, 739;
341/12; 248/917-924, 465; 345/104,
345/133, 156, 168, 87, 173; 720/605, 669,
720/600, 655; 369/99, 197; 455/344, 347;
D21/329, 515, 577, 622, 333, 433, 448,
D21/452, 450, 331; D6/477, 479, 300;
273/148 B; 446/484, 175, 356; D10/15,
D10/26

See application file for complete search history.

(56) **References Cited**
U.S. PATENT DOCUMENTS

D576,622 S 9/2008 Park
D586,811 S * 2/2009 Kim et al. D14/374
D593,974 S * 6/2009 Yang et al. D14/126
D600,246 S * 9/2009 Yuuki et al. D14/451
D610,143 S * 2/2010 Park et al. D14/374
D614,596 S * 4/2010 Won et al. D14/126
D615,509 S * 5/2010 Song et al. D14/126
D618,188 S * 6/2010 Tsai D14/126

OTHER PUBLICATIONS

U.S. Appl. No. 29/422,328, Applicant: Jung-Hyun Lee, et al., filed May 18, 2012 entitled Monitor.
U.S. Appl. No. 29/422,326, Applicant: Jung-Hyun Lee, et al., filed May 18, 2012 entitled Monitor.
U.S. Appl. No. 29/422,317, Applicant: Jung-Hyun Lee, et al., filed May 18, 2012 entitled Monitor.

* cited by examiner

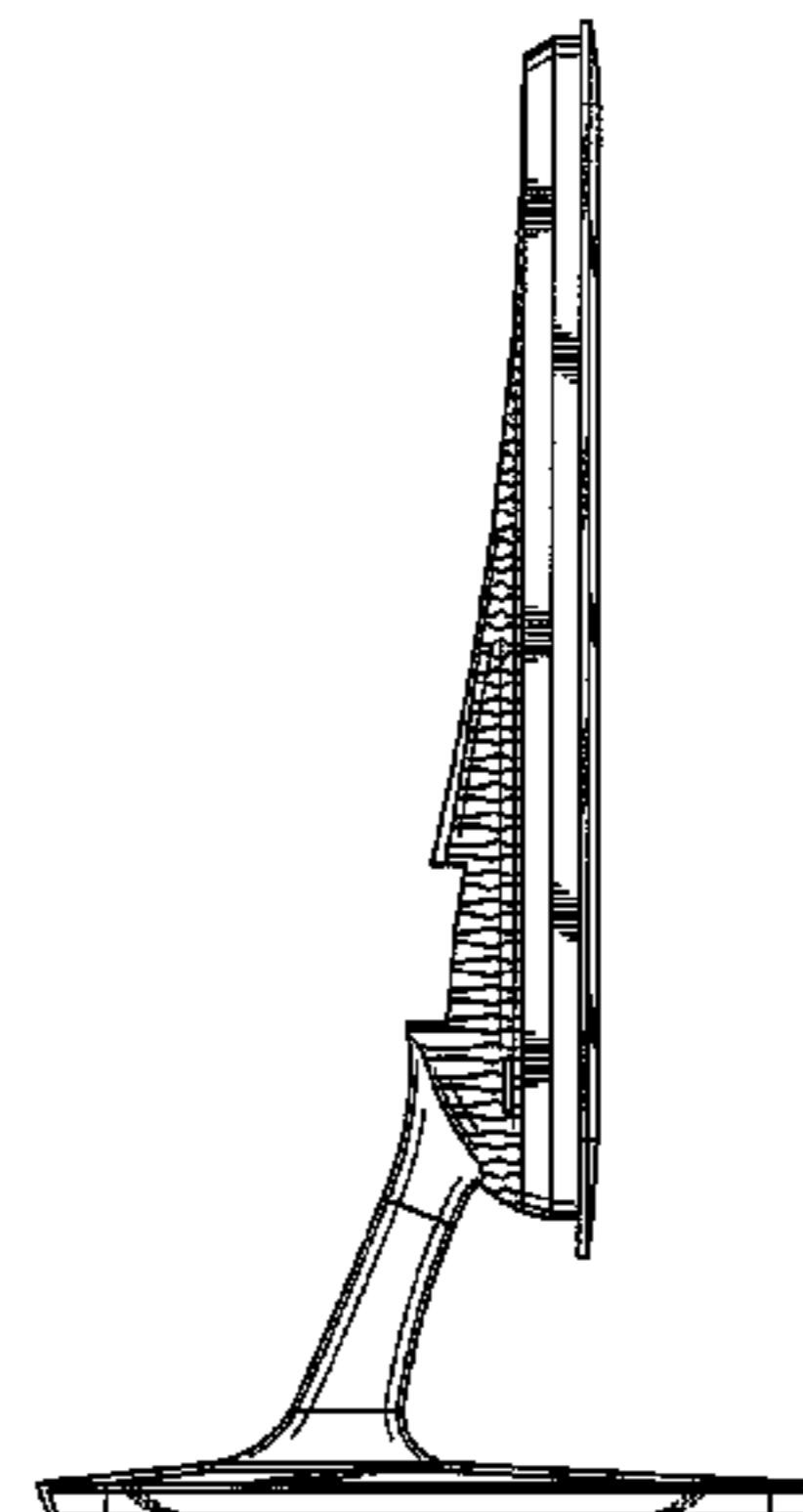
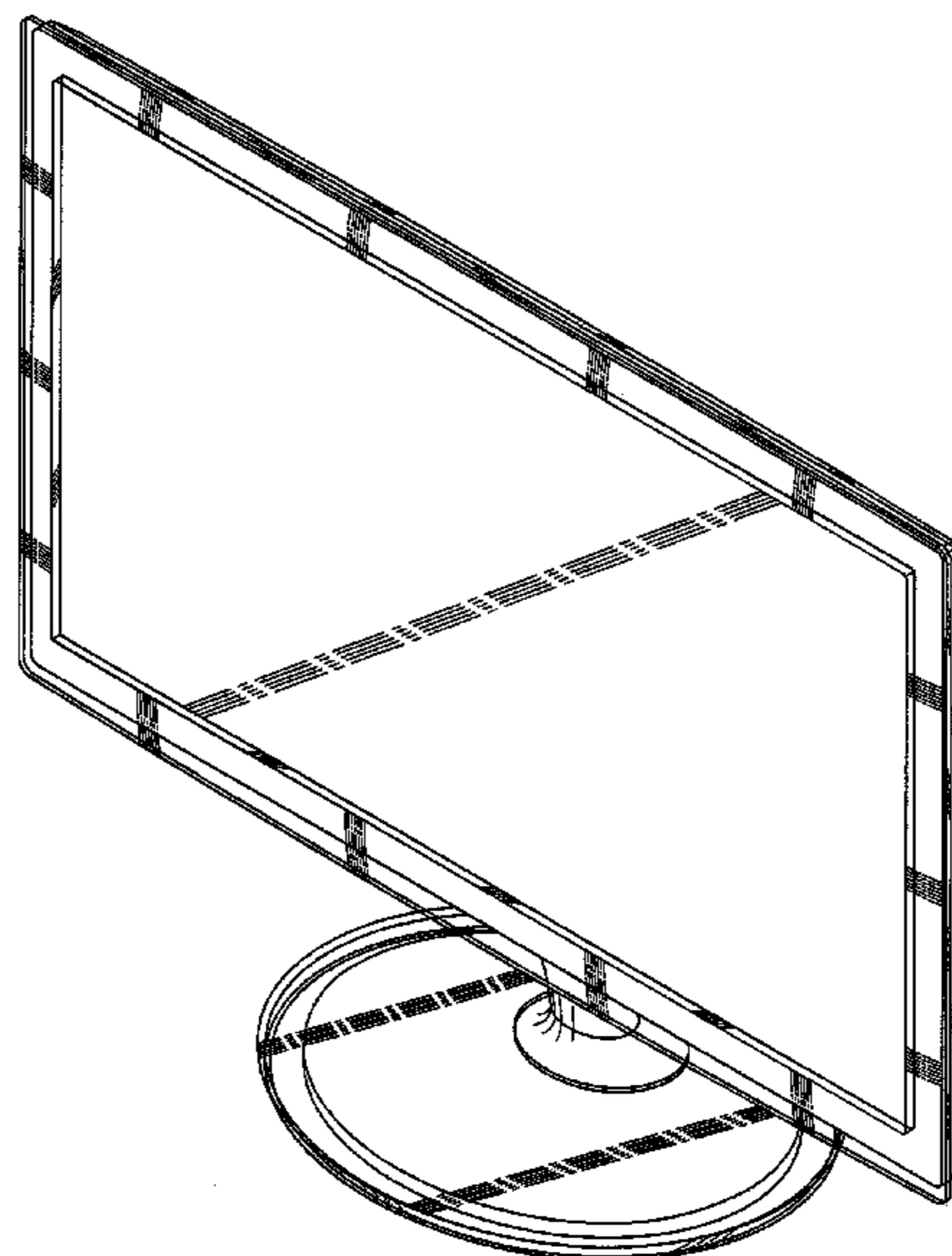
Primary Examiner — Raphael Barkai
(74) *Attorney, Agent, or Firm* — Flynn, Thiel, Boutell & Tanis, P.C.

(57) **CLAIM**
The ornamental design for a monitor, as shown and described.

DESCRIPTION

FIG. 1 is a top front perspective view of a monitor showing our new design;
FIG. 2 is a front elevational view thereof;
FIG. 3 is a rear elevational view thereof;
FIG. 4 is a left side elevational view thereof;
FIG. 5 is a right side elevational view thereof;
FIG. 6 is a top plan view thereof; and,
FIG. 7 is a bottom plan view thereof.

1 Claim, 5 Drawing Sheets



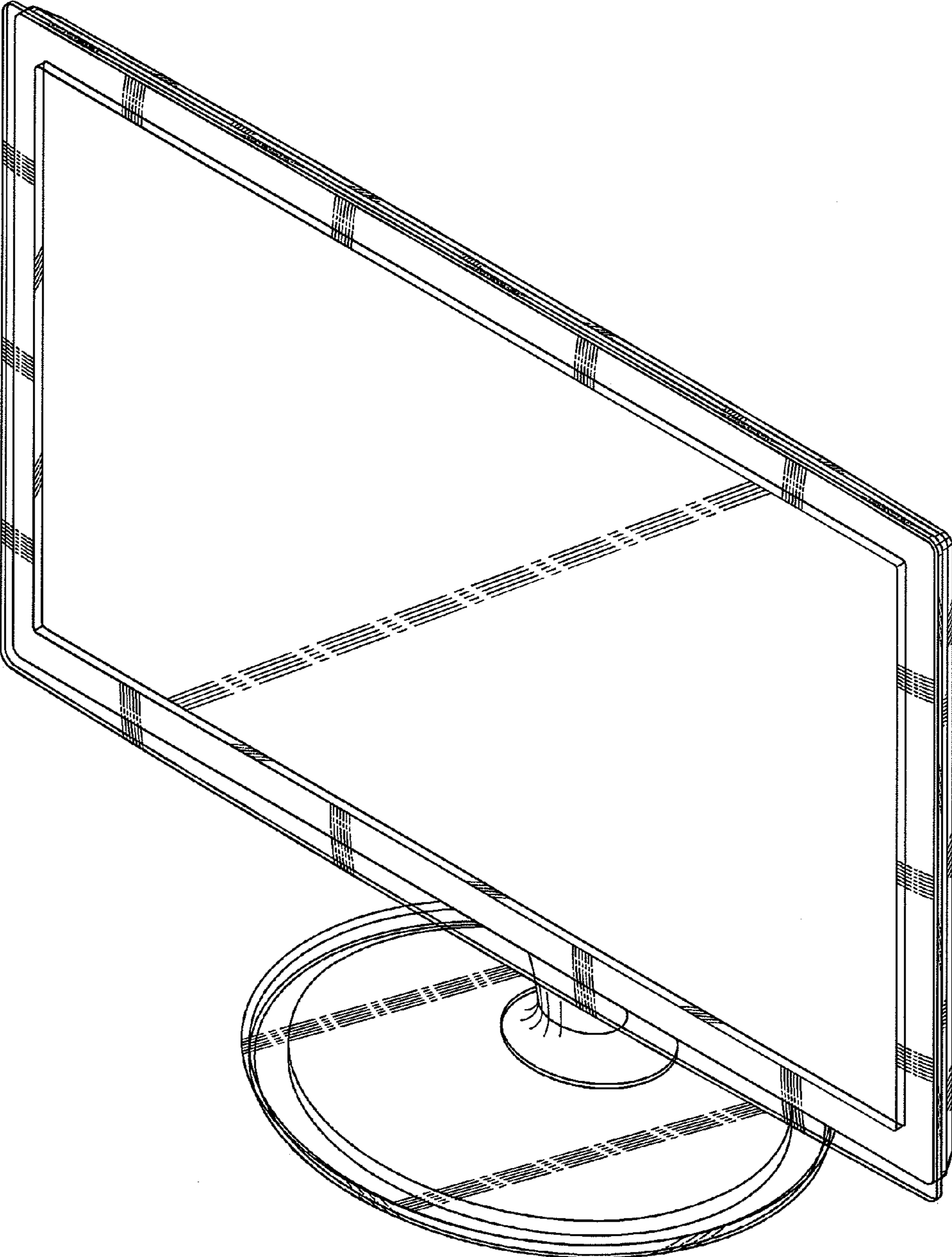


FIG.1

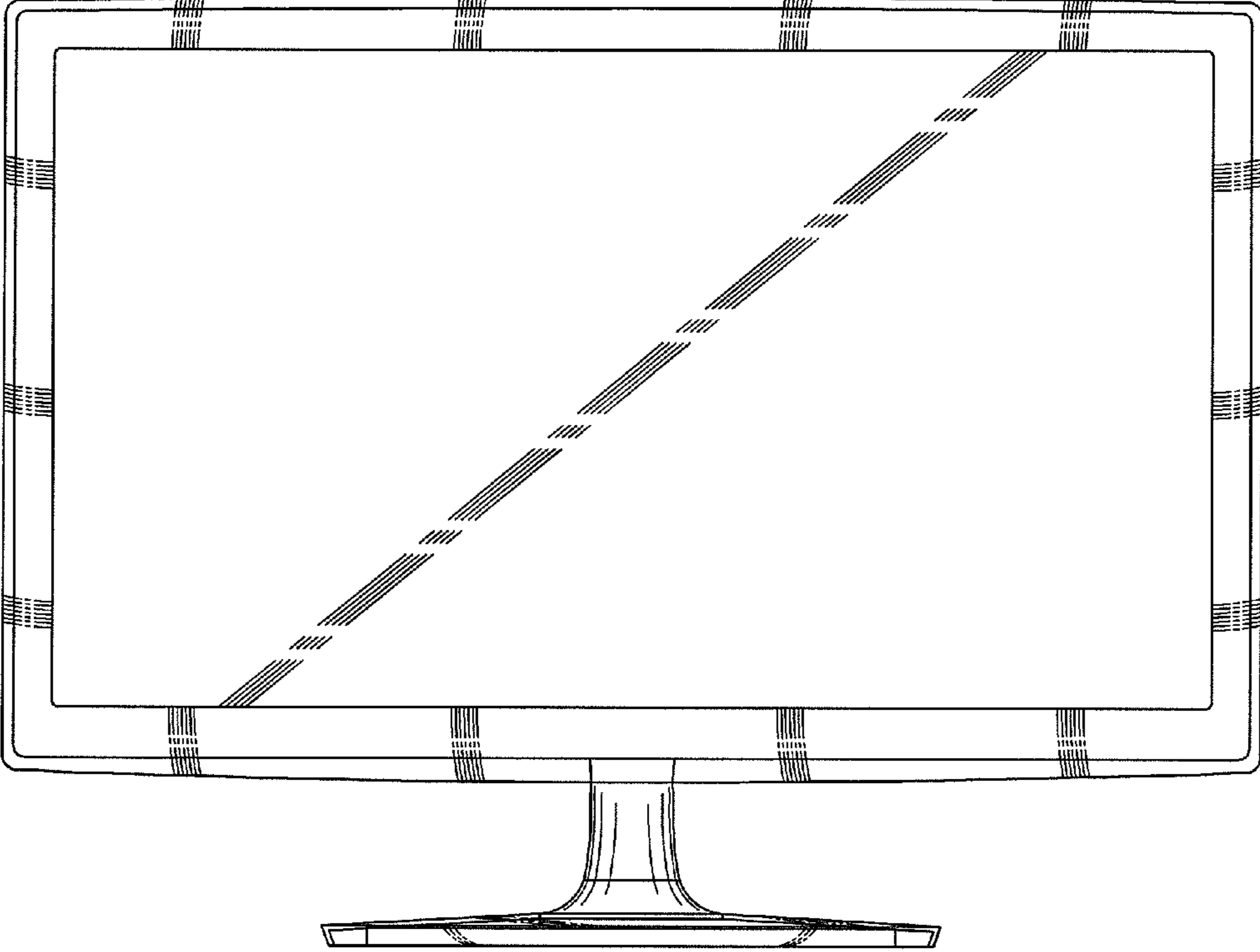


FIG.2

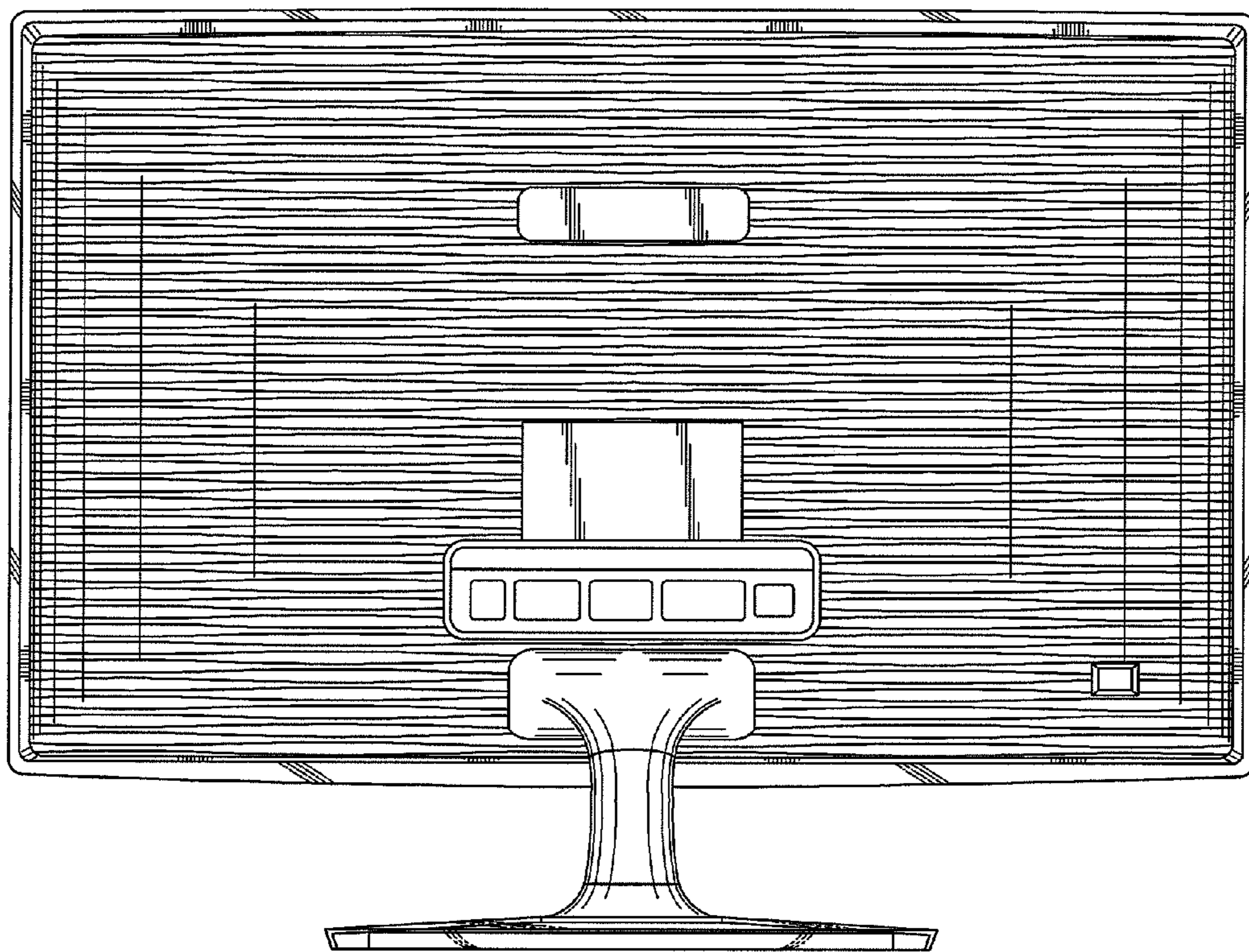


FIG.3

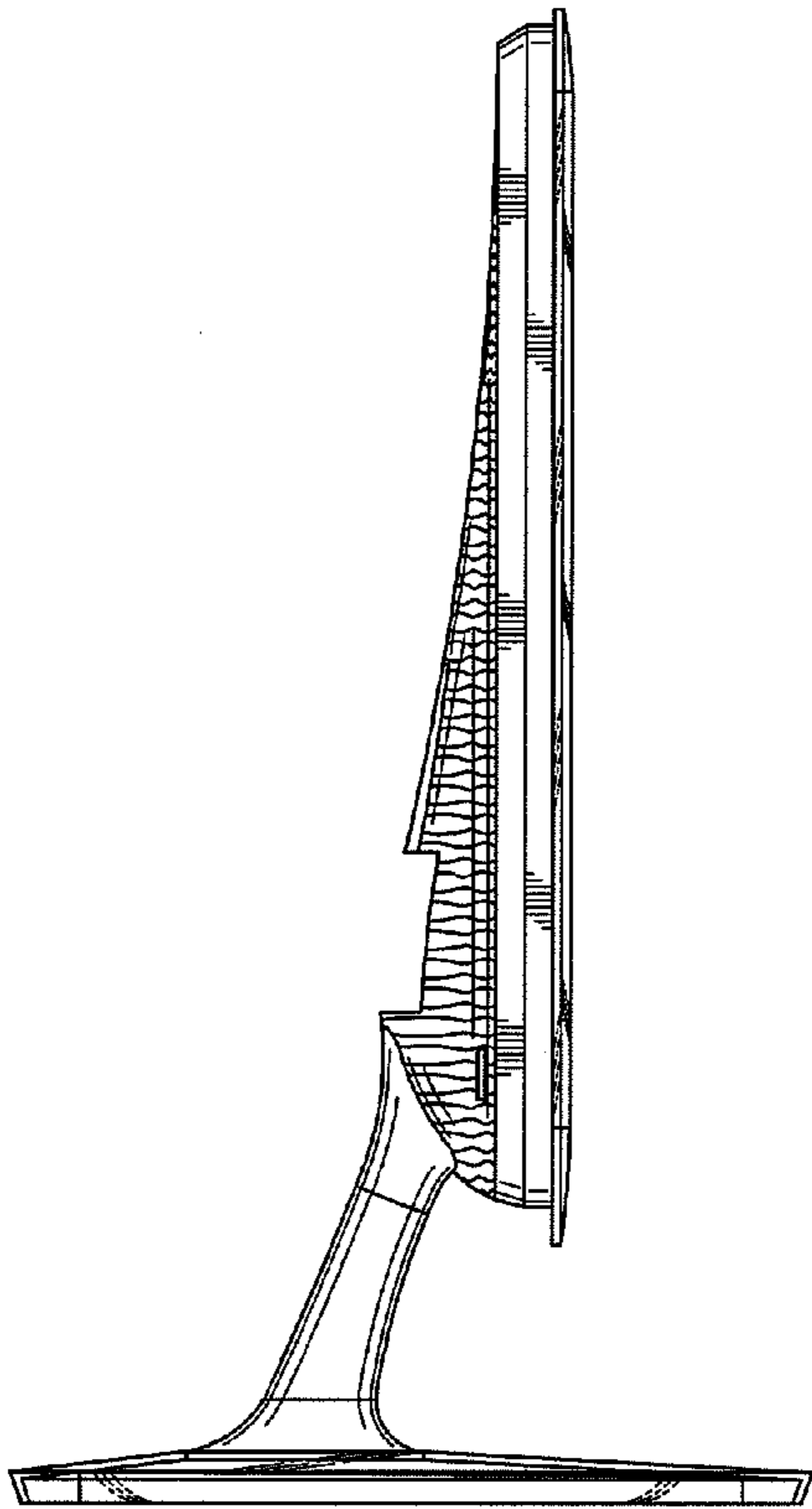


FIG. 4

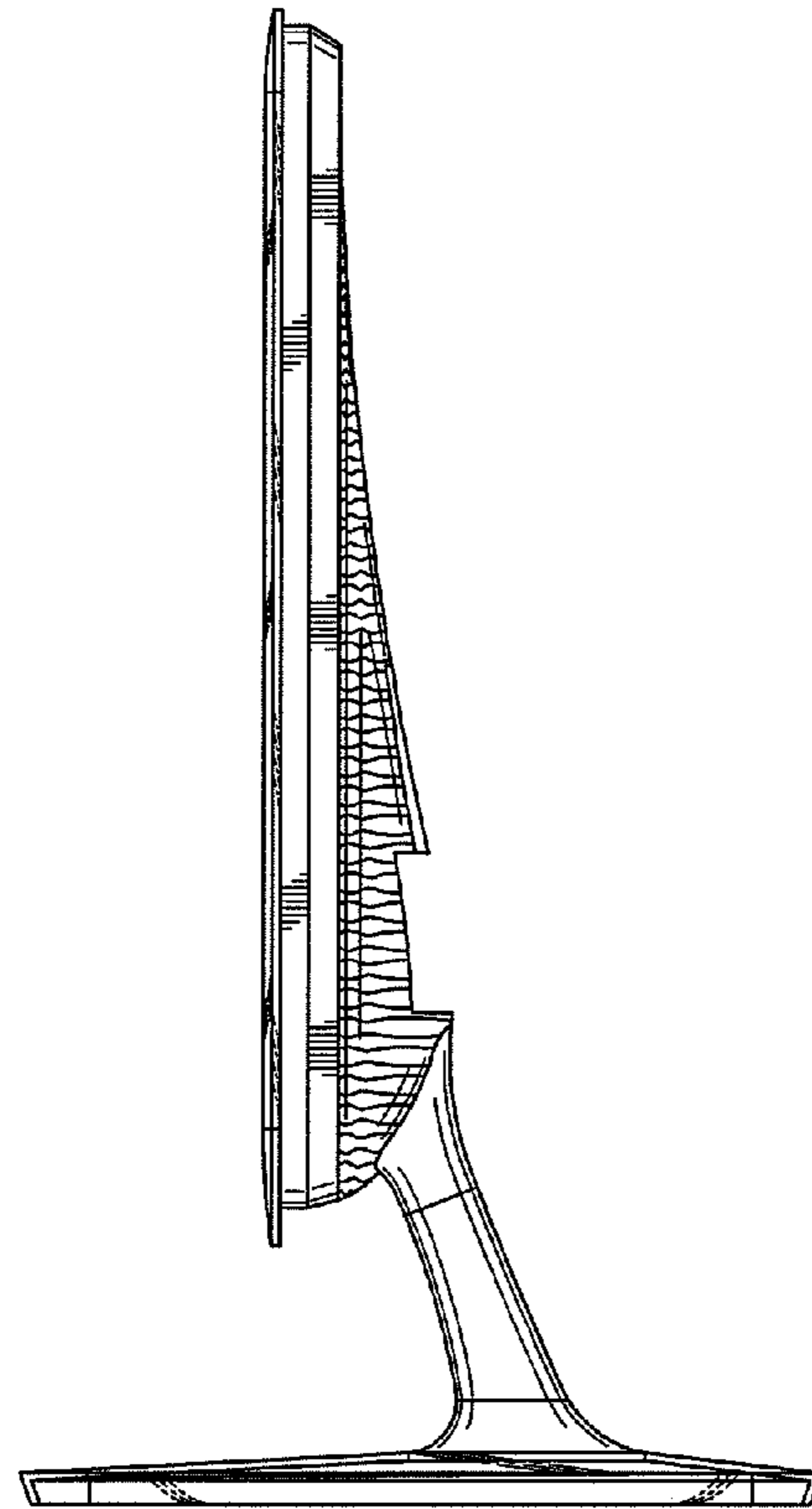


FIG. 5

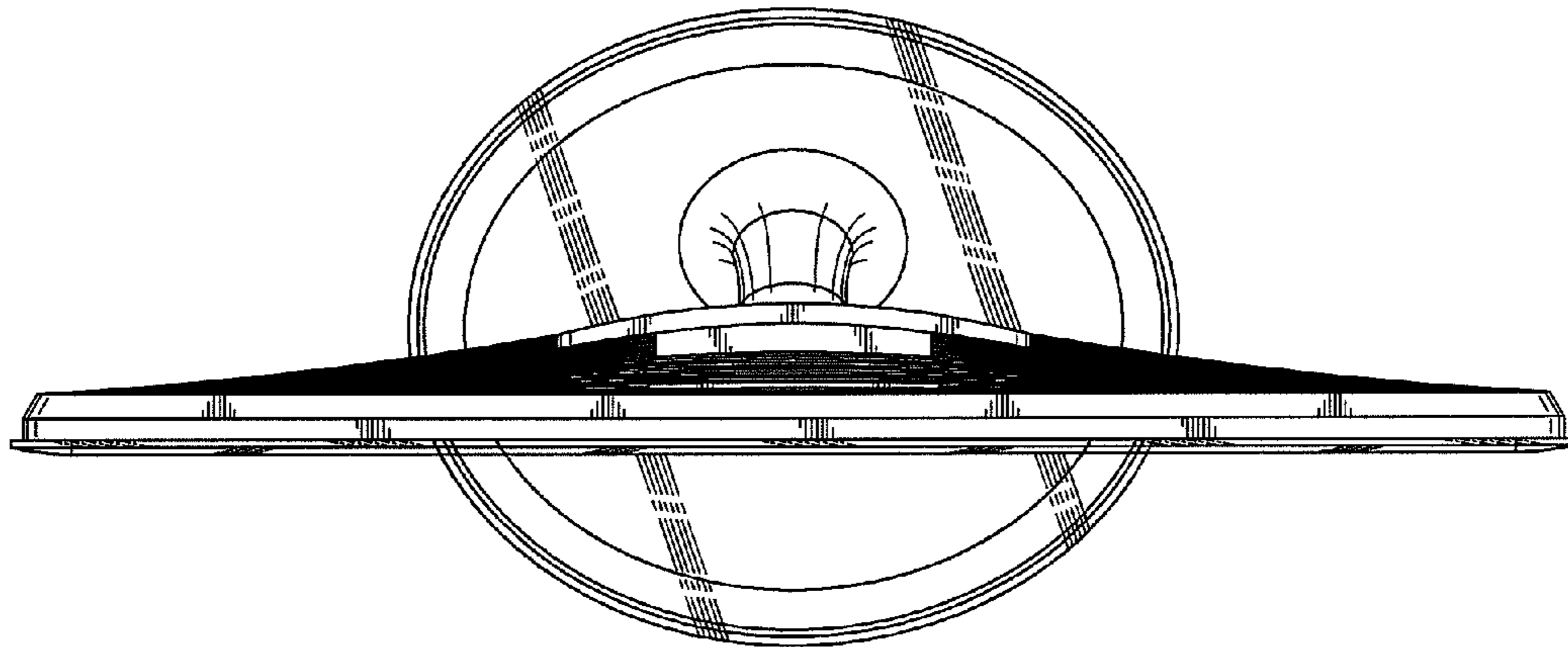


FIG. 6

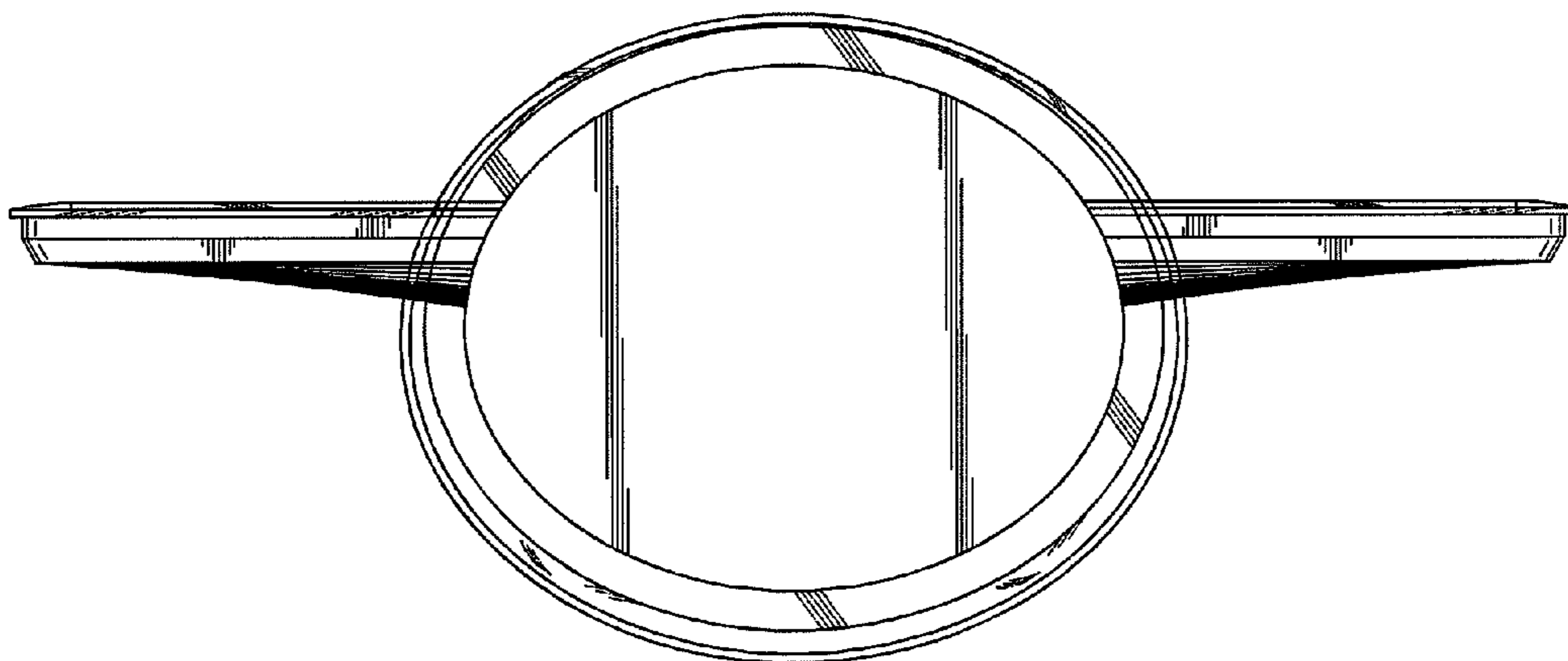


FIG. 7