

US00D697880S

(12) **United States Design Patent**
Lee et al.

(10) **Patent No.:** **US D697,880 S**
(45) **Date of Patent:** **** Jan. 21, 2014**

(54) **MONITOR**

(75) Inventors: **Jung-Hyun Lee**, Seoul (KR); **Tae-Yeon Won**, Seoul (KR)

(73) Assignee: **Samsung Electronics Co., Ltd.**, Suwon, Kyunggi-do (KR)

(**) Term: **14 Years**

(21) Appl. No.: **29/422,317**

(22) Filed: **May 18, 2012**

(51) **LOC (10) Cl.** **14-03**

(52) **U.S. Cl.**
USPC **D14/126**

(58) **Field of Classification Search**
USPC D14/125–134, 239, 371, 136, 374–377,
D14/440, 450, 448, 336, 342, 159; 312/7.2;
348/836, 838, 180, 184, 325, 739;
341/12; 248/917–924, 465; 345/104,
345/133, 156, 168, 87, 173; 720/605, 669,
720/600, 655; 369/99, 197; D21/329, 515,
D21/577, 622, 333, 433, 448, 452, 450,
D21/331; D6/477, 479, 300; 273/148 B;
446/484, 175, 356; D10/15, 26

See application file for complete search history.

(56) **References Cited**

U.S. PATENT DOCUMENTS

| | | | |
|--------------|--------|--------------|---------|
| D576,622 S | 9/2008 | Park | |
| D586,811 S * | 2/2009 | Kim et al. | D14/374 |
| D593,974 S * | 6/2009 | Yang et al. | D14/126 |
| D600,246 S * | 9/2009 | Yuuki et al. | D14/451 |
| D610,143 S * | 2/2010 | Park et al. | D14/374 |
| D614,596 S * | 4/2010 | Won et al. | D14/126 |
| D615,509 S * | 5/2010 | Song et al. | D14/126 |
| D618,188 S * | 6/2010 | Tsai | D14/126 |

| | | | |
|--------------|---------|-------------|---------|
| D619,979 S * | 7/2010 | Lee et al. | D14/126 |
| D620,902 S * | 8/2010 | Kim et al. | D14/126 |
| D622,235 S | 8/2010 | Lee et al. | |
| D630,209 S | 1/2011 | Lee et al. | |
| D631,860 S * | 2/2011 | Chai et al. | D14/126 |
| D632,291 S * | 2/2011 | Park | D14/374 |
| D634,323 S * | 3/2011 | Park et al. | D14/374 |
| D635,975 S * | 4/2011 | Seo et al. | D14/374 |
| D649,947 S * | 12/2011 | Won et al. | D14/126 |
| D664,956 S * | 8/2012 | Lee et al. | D14/371 |
| D667,826 S * | 9/2012 | Lee et al. | D14/374 |

OTHER PUBLICATIONS

U.S. Appl. No. 29/422,328, Applicant: Jung-Hyun Lee, et al., filed May 18, 2012 entitled Monitor.
U.S. Appl. No. 29/422,341, Applicant: Jung-Hyun Lee, et al., filed May 18, 2012 entitled Monitor.
U.S. Appl. No. 29/422,326, Applicant: Jung-Hyun Lee, et al., filed May 18, 2012 entitled Monitor.

* cited by examiner

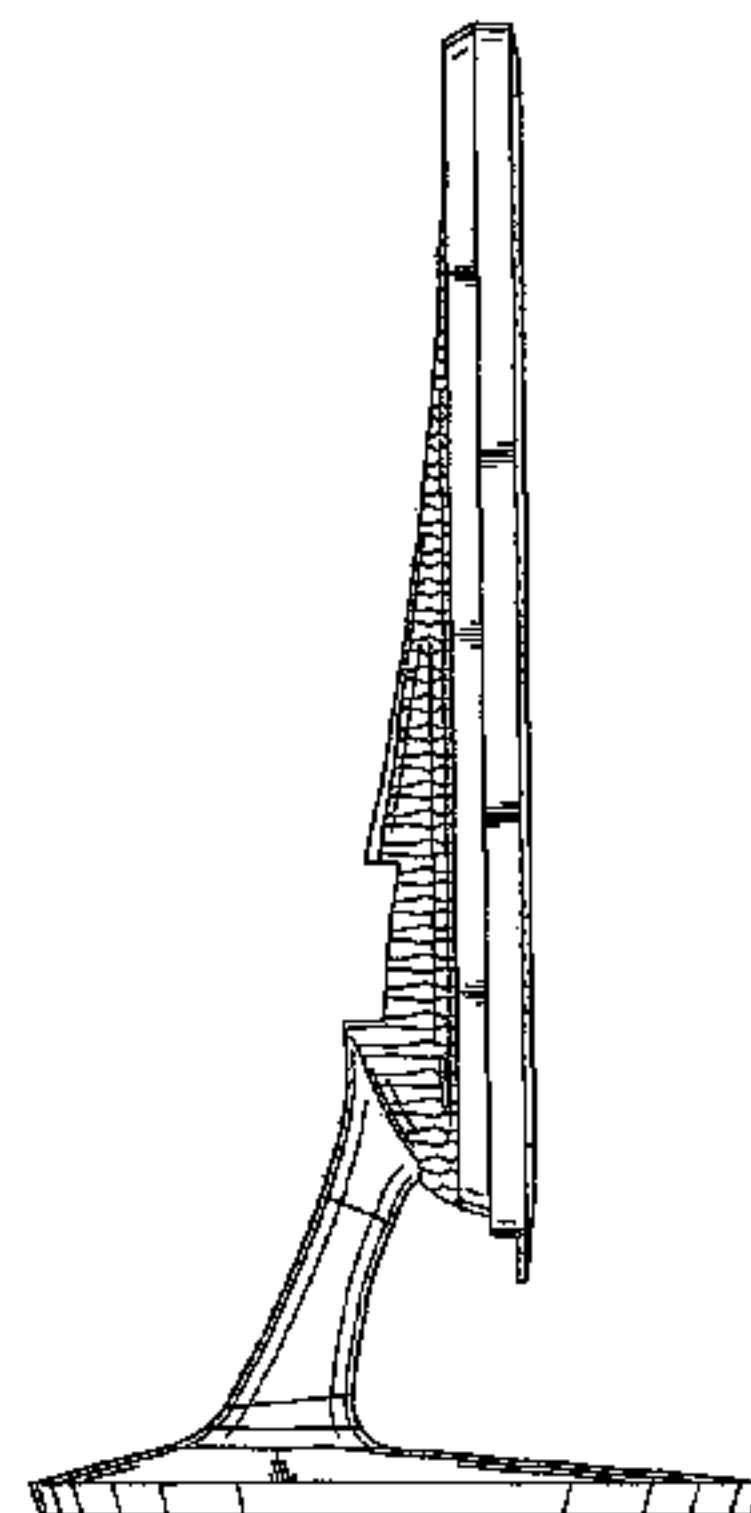
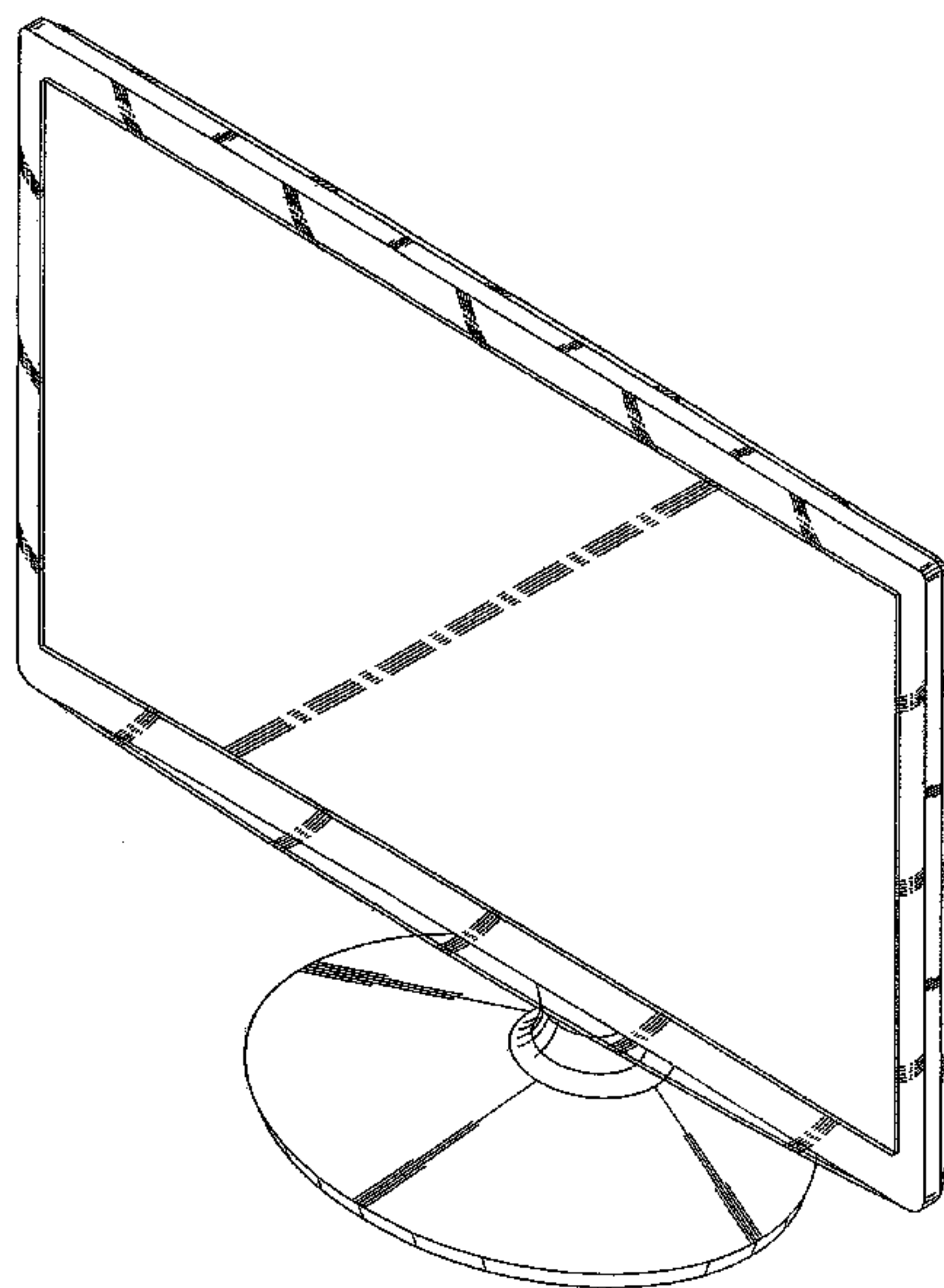
Primary Examiner — Raphael Barkai
(74) *Attorney, Agent, or Firm* — Flynn, Thiel, Boutell & Tanis, P.C.

(57) **CLAIM**
The ornamental design for a monitor, as shown and described.

DESCRIPTION

FIG. 1 is a top front perspective view of a monitor showing our new design;
FIG. 2 is a front elevational view thereof;
FIG. 3 is a rear elevational view thereof;
FIG. 4 is a left side elevational view thereof;
FIG. 5 is a right side elevational view thereof;
FIG. 6 is a top plan view thereof; and,
FIG. 7 is a bottom plan view thereof.

1 Claim, 5 Drawing Sheets



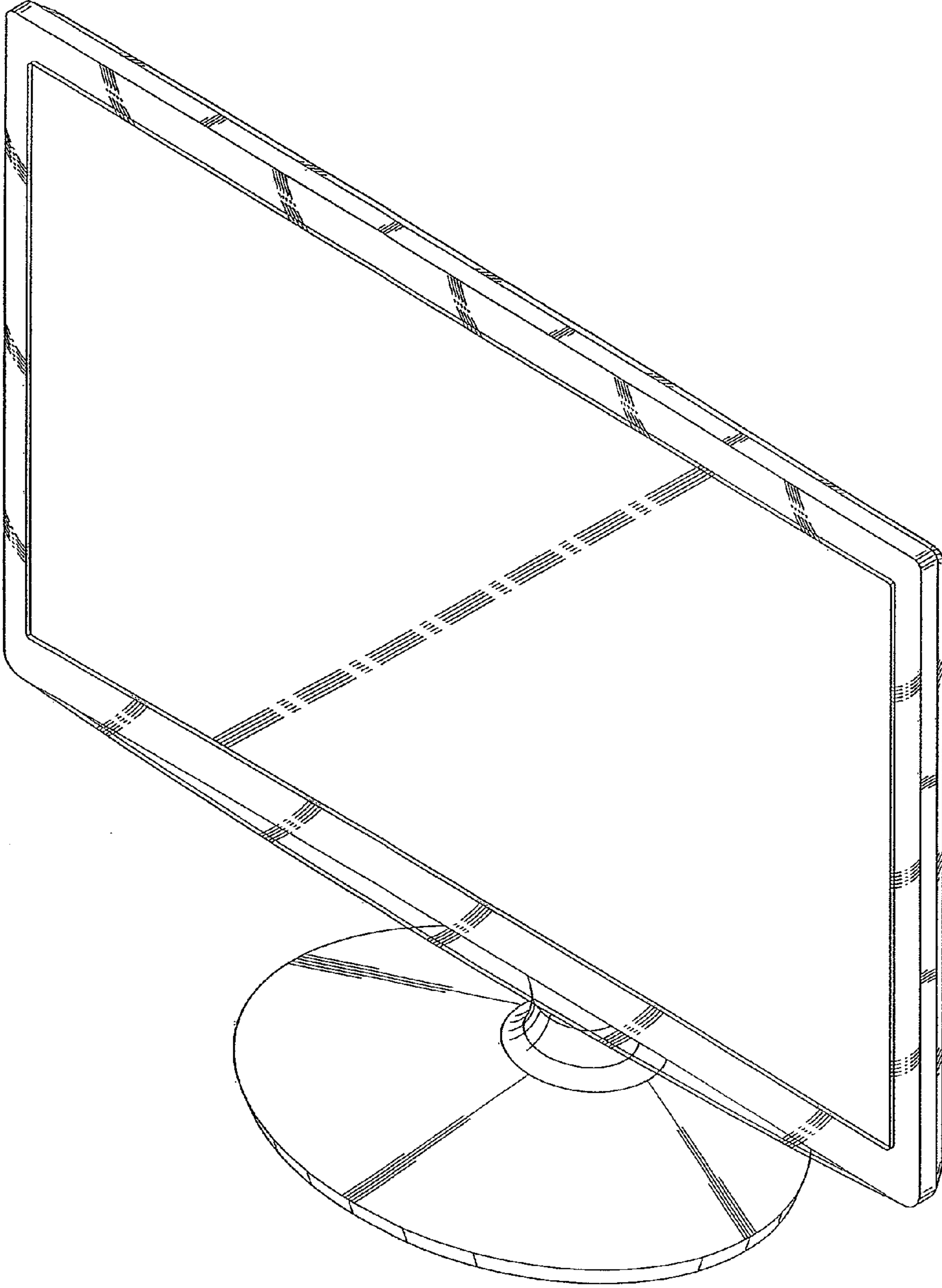


FIG.1

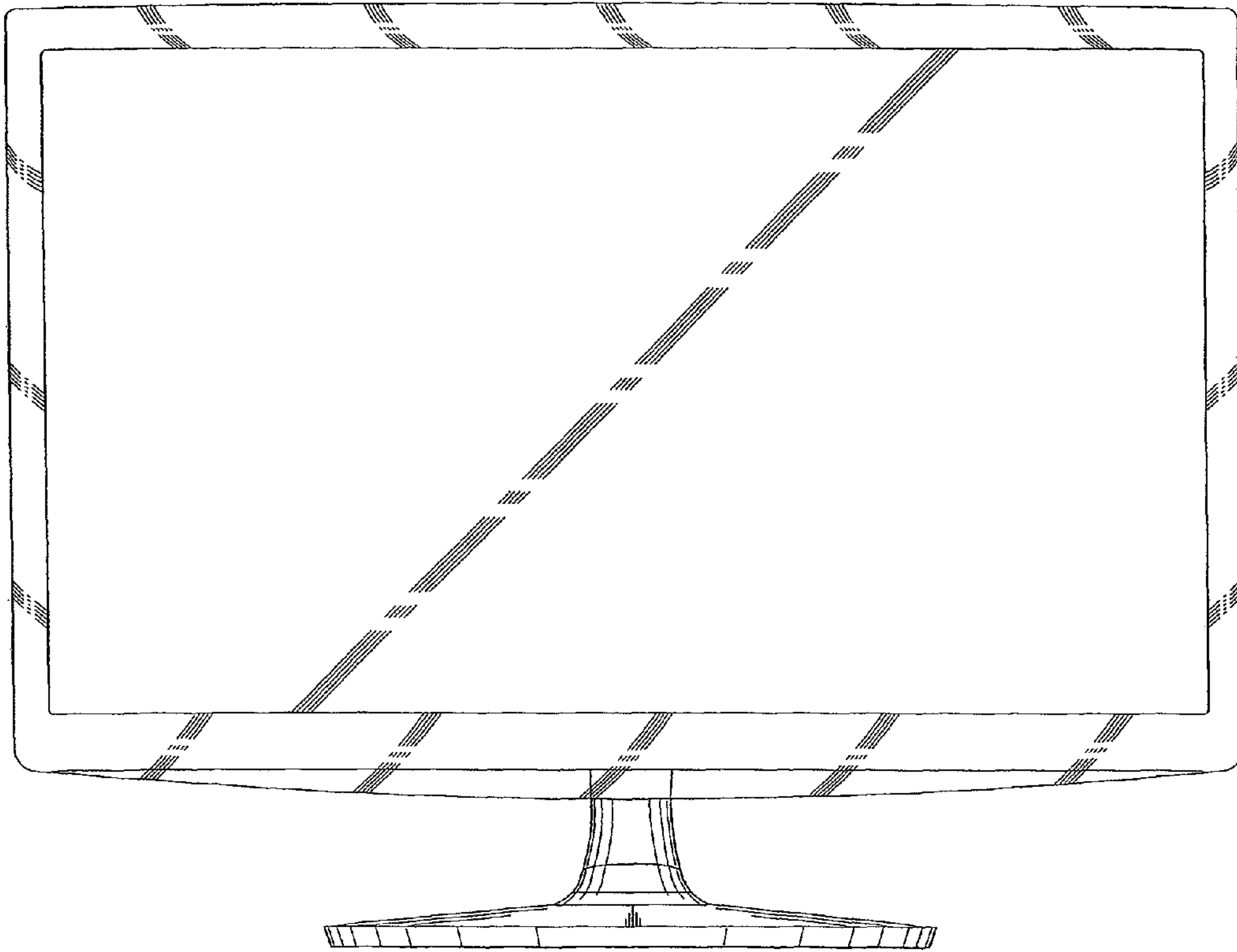


FIG.2

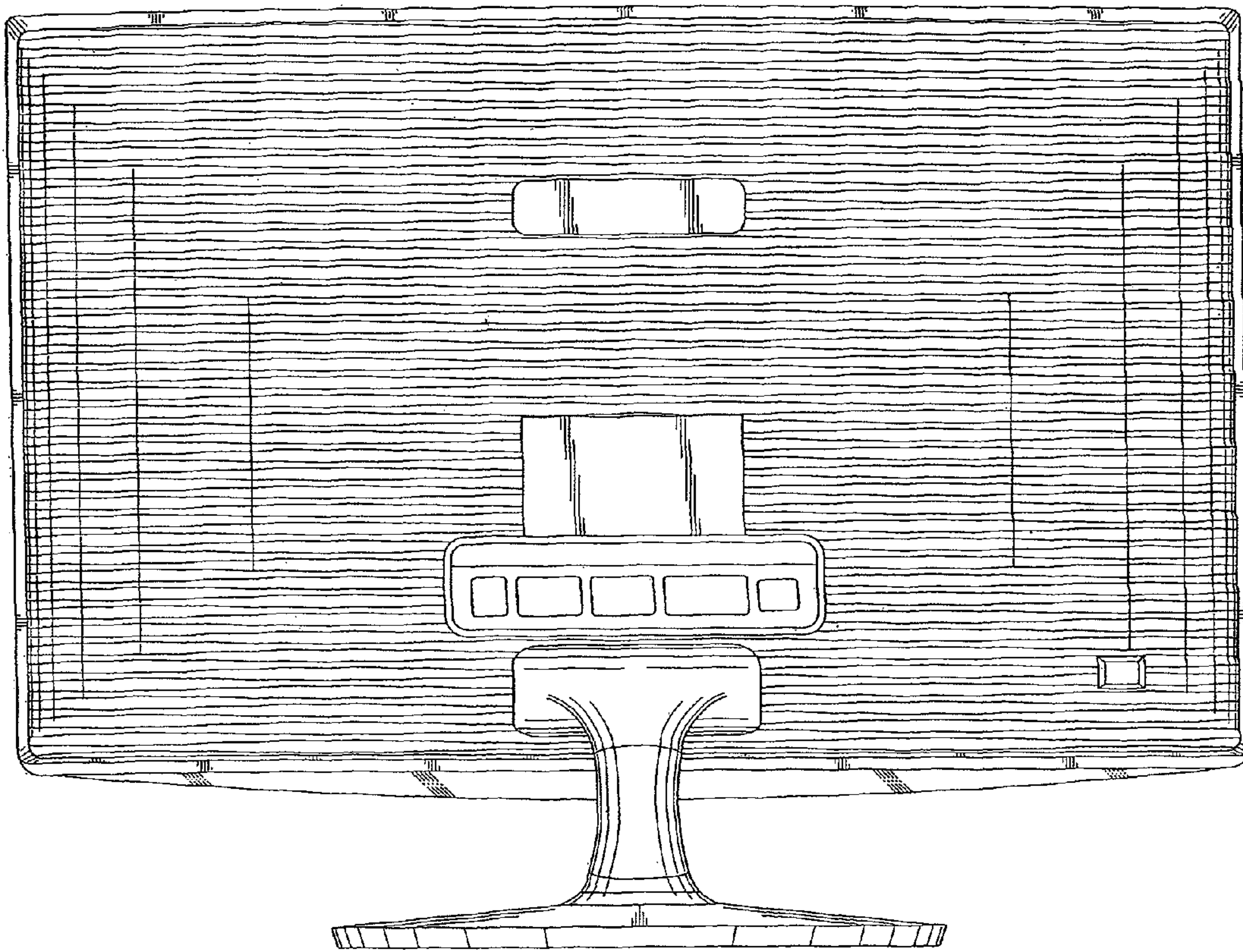


FIG.3

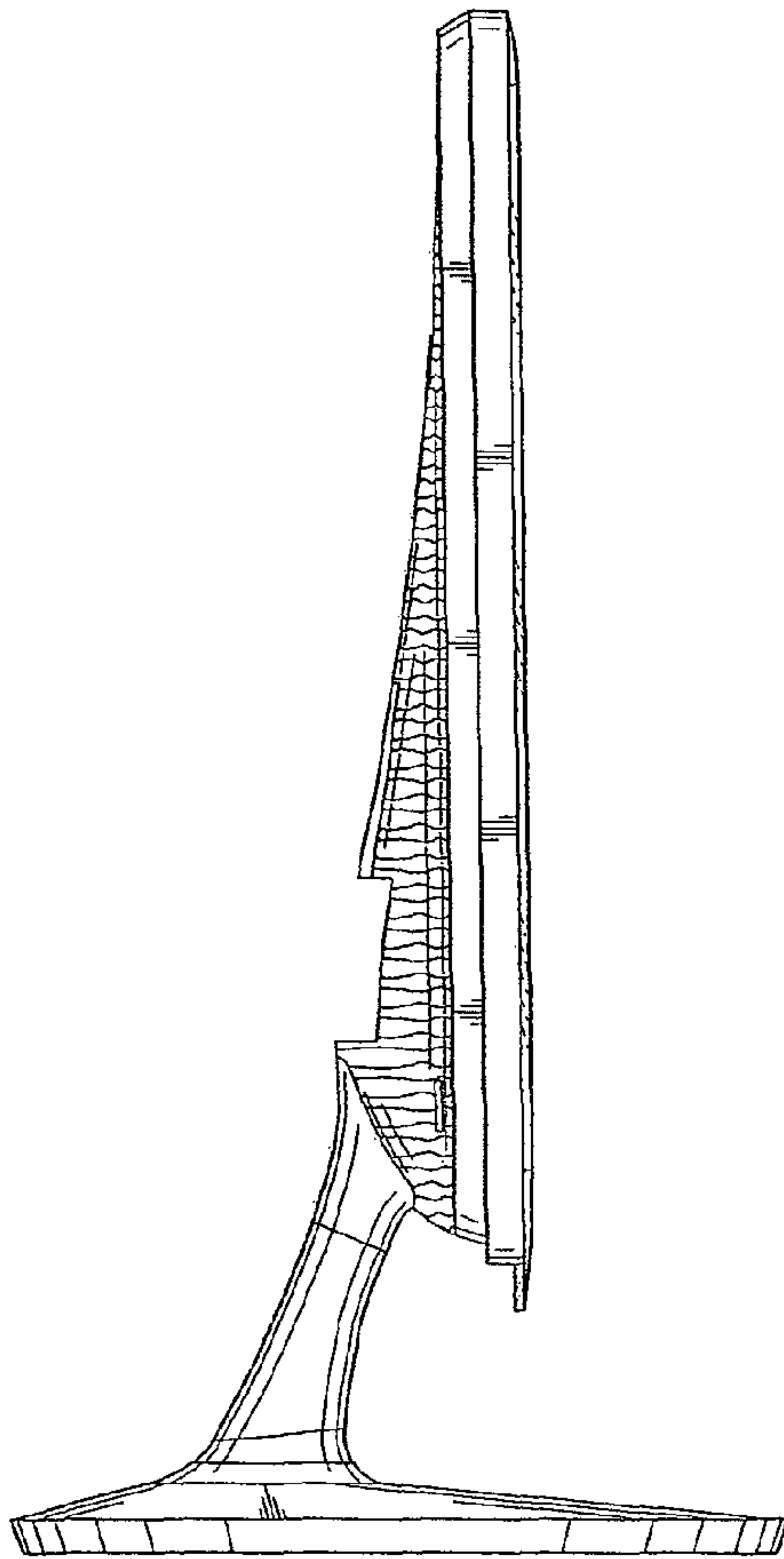


FIG. 4

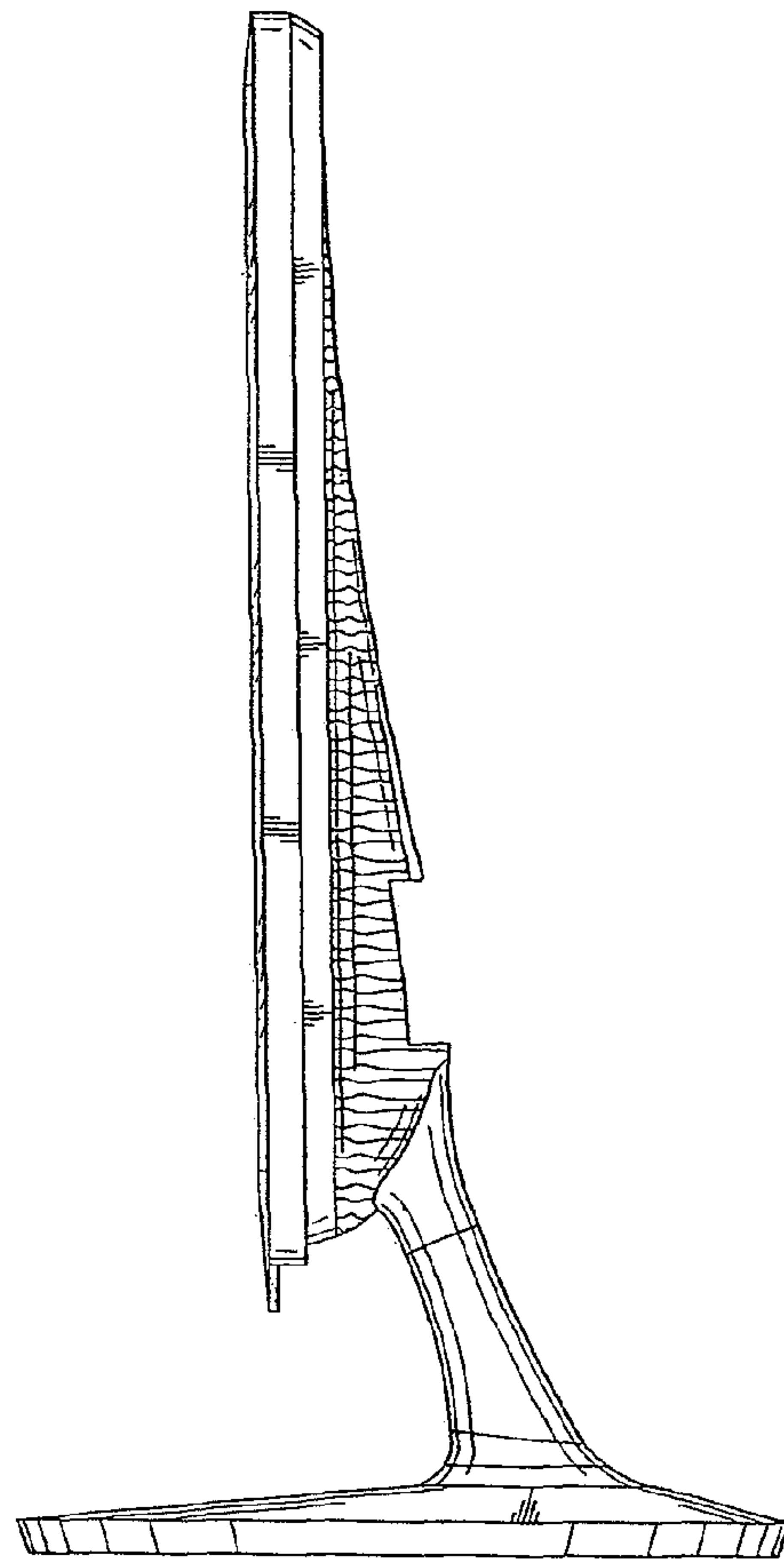


FIG. 5

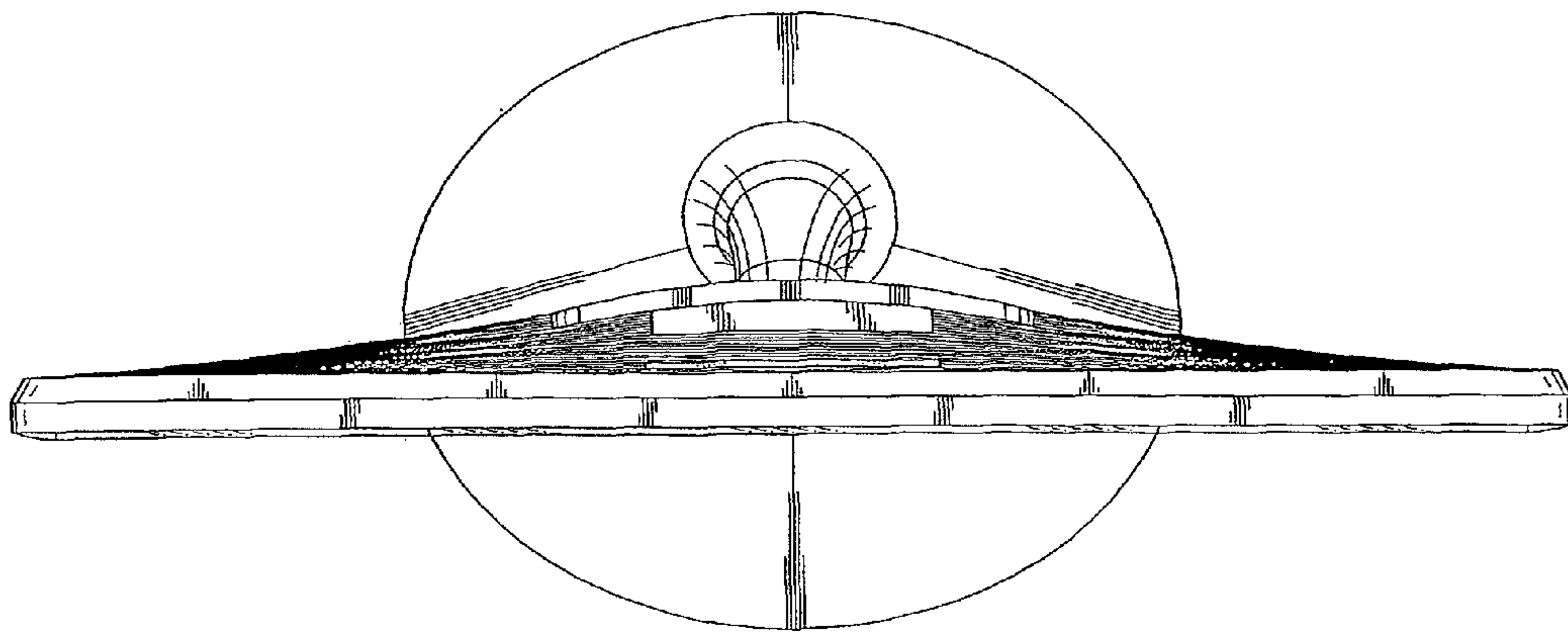


FIG. 6

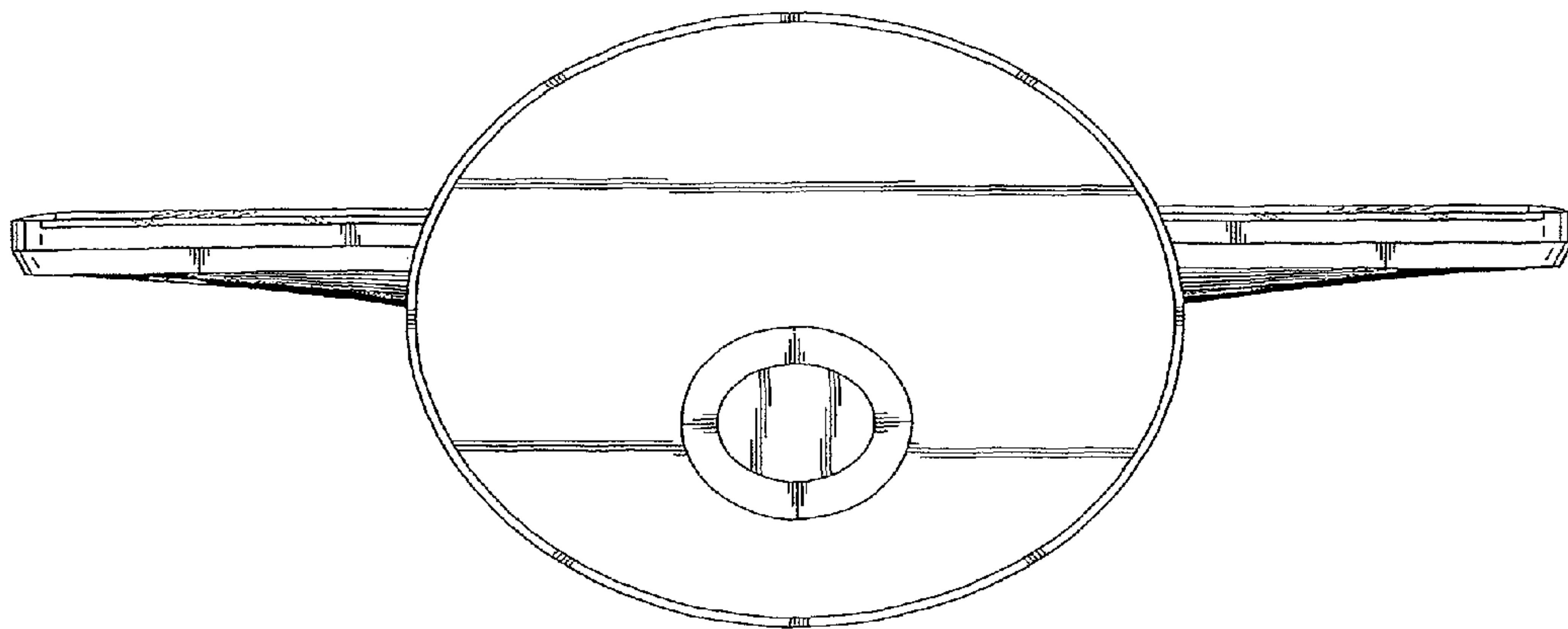


FIG. 7