



US00D697879S

(12) **United States Design Patent**
Chiang et al.

(10) **Patent No.:** **US D697,879 S**
(45) **Date of Patent:** **** Jan. 21, 2014**

(54) **LIGHT EMITTING DIODE PACKAGE**

(71) Applicant: **Lextar Electronics Corp.**, Hsinchu (TW)

(72) Inventors: **Ching-Chi Chiang**, Miaoli (TW);
Kun-Hsiung Wang, Hsinchu County (TW)

(73) Assignee: **Lextar Electronics Corp.**, Hsinchu (TW)

(**) Term: **14 Years**

(21) Appl. No.: **29/455,094**

(22) Filed: **May 16, 2013**

(51) **LOC (10) Cl.** **13-03**

(52) **U.S. Cl.**
USPC **D13/180**

(58) **Field of Classification Search**
USPC D13/180, 182; D10/104.1, 106.1;
D26/1, 2, 37; 257/79, 80, 81, 88, 89,
257/93-96, 98, 99, 100, 678, E33.058, 680,
257/433, 434, 666; 313/161, 483, 498, 499,
313/500; 345/39, 46, 82, 84; 361/800, 820;
372/45.01; 362/551, 555, 800

See application file for complete search history.

(56) **References Cited**

U.S. PATENT DOCUMENTS

D489,690 S *	5/2004	Ishida	D13/180
D489,691 S *	5/2004	Ishida	D13/180
D491,538 S *	6/2004	Ishida	D13/182
D495,668 S *	9/2004	Kim et al.	D13/180
D500,292 S *	12/2004	Ishida	D13/180
D509,487 S *	9/2005	Ishida	D13/180
D533,146 S *	12/2006	Wu et al.	D13/180
D566,664 S *	4/2008	Kong	D13/180
D585,851 S *	2/2009	Kokubu et al.	D13/180
D589,909 S *	4/2009	Kong	D13/180

D599,304 S *	9/2009	Kim et al.	D13/180
D599,305 S *	9/2009	Kim et al.	D13/180
D599,306 S *	9/2009	Kong	D13/180
D601,516 S *	10/2009	Han et al.	D13/180
D601,518 S *	10/2009	Lee et al.	D13/180
7,615,799 B2 *	11/2009	Su	257/99
D605,609 S *	12/2009	Lee et al.	D13/180
D621,802 S *	8/2010	Hussell et al.	D13/180
D624,883 S *	10/2010	Lin	D13/180
D630,170 S *	1/2011	Lin	D13/180
D631,447 S *	1/2011	Lin	D13/180
D633,053 S *	2/2011	Lin	D13/180
D633,058 S *	2/2011	Lin	D13/180
D634,283 S *	3/2011	Ko et al.	D13/180
D634,717 S *	3/2011	Lin	D13/180
D637,980 S *	5/2011	Ko et al.	D13/180
D637,981 S *	5/2011	Ko et al.	D13/180
D638,808 S *	5/2011	Ko et al.	D13/180
D652,394 S *	1/2012	Fukui et al.	D13/180
D652,807 S *	1/2012	Fukui et al.	D13/180

(Continued)

Primary Examiner — Elizabeth J Oswecki

(74) *Attorney, Agent, or Firm* — Schmeiser Olsen & Watts LLP

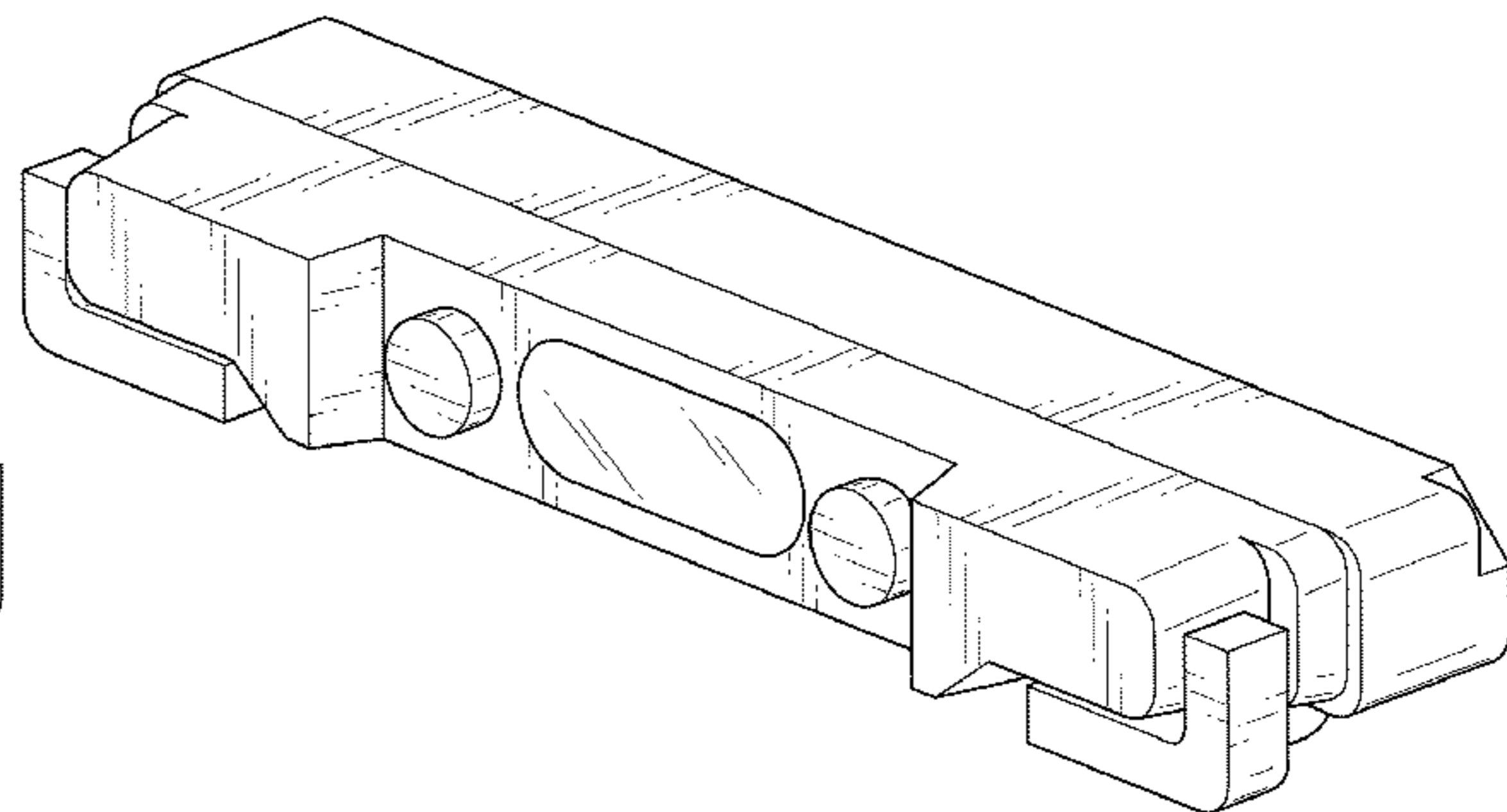
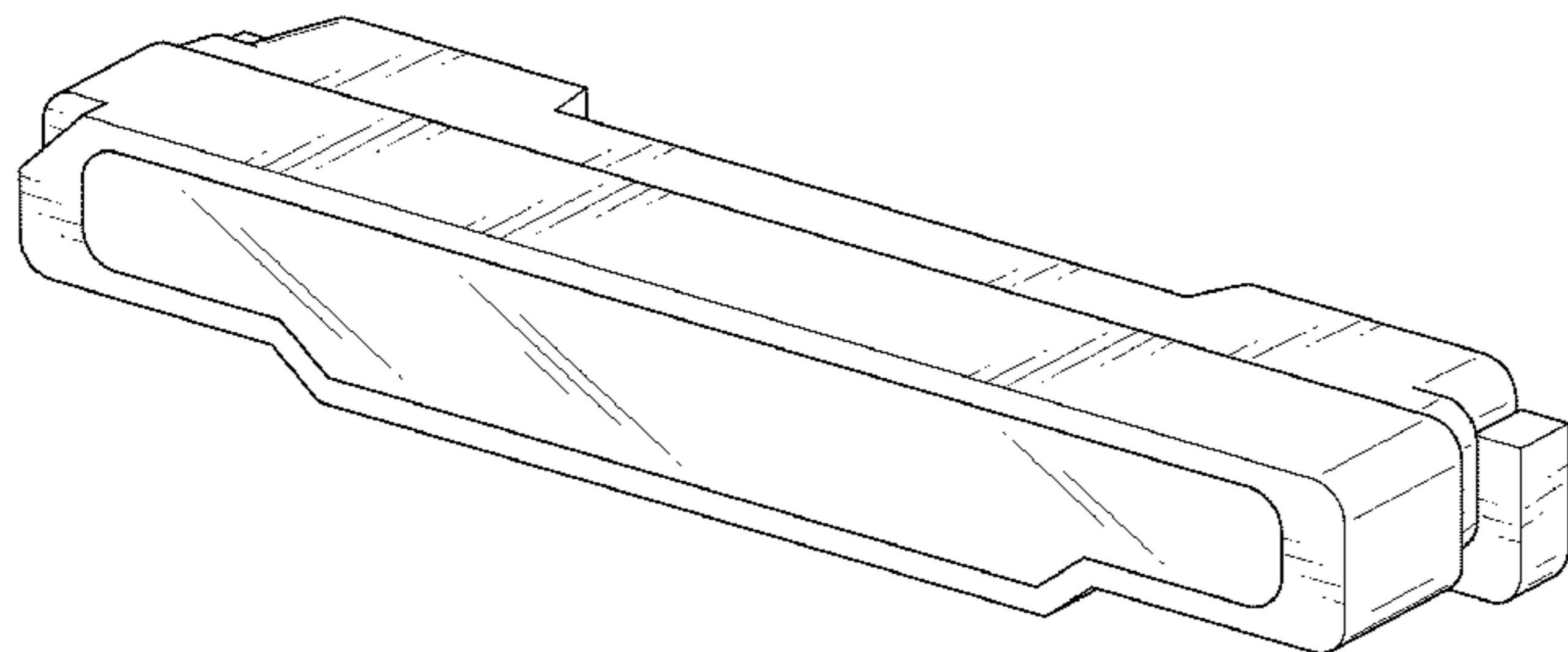
(57) **CLAIM**

The ornamental design for a light emitting diode package, as shown and described.

DESCRIPTION

FIG. 1 is a top front perspective view of a light emitting diode package showing our new design;
FIG. 2 is a top rear perspective view thereof;
FIG. 3 is a bottom rear perspective view thereof;
FIG. 4 is a front elevational view thereof;
FIG. 5 is a rear elevational view thereof;
FIG. 6 is a left side elevational view thereof;
FIG. 7 is a right side elevational view thereof;
FIG. 8 is a top plan view thereof; and,
FIG. 9 is a bottom plan view thereof.

1 Claim, 9 Drawing Sheets



US D697,879 S

Page 2

(56)

References Cited

U.S. PATENT DOCUMENTS

D653,223 S *	1/2012	Wu	D13/180	
D656,108 S *	3/2012	Wu	D13/180	* cited by examiner
D656,109 S *	3/2012	Ko	D13/180	
2007/0029564 A1 *	2/2007	Han et al.	257/98	
2011/0175127 A1 *	7/2011	Kanada et al.	257/98	

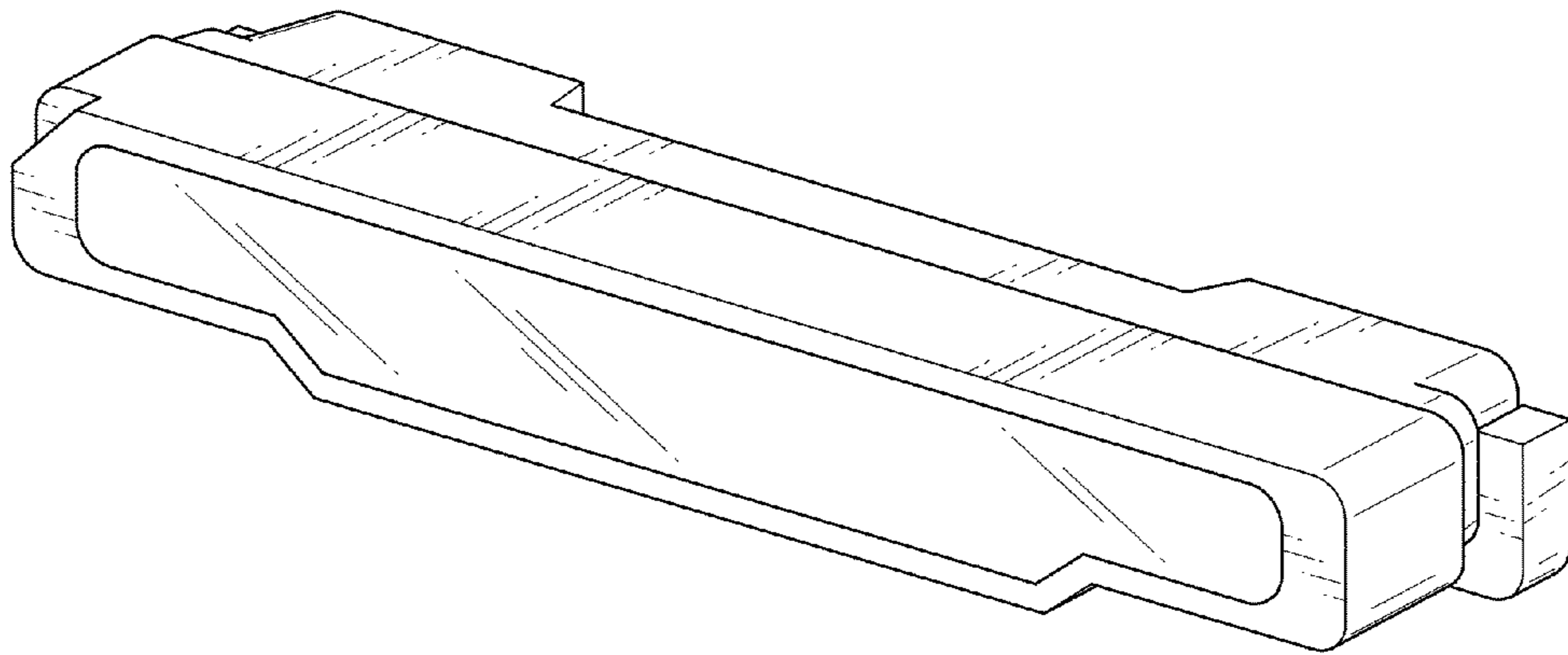


FIG. 1

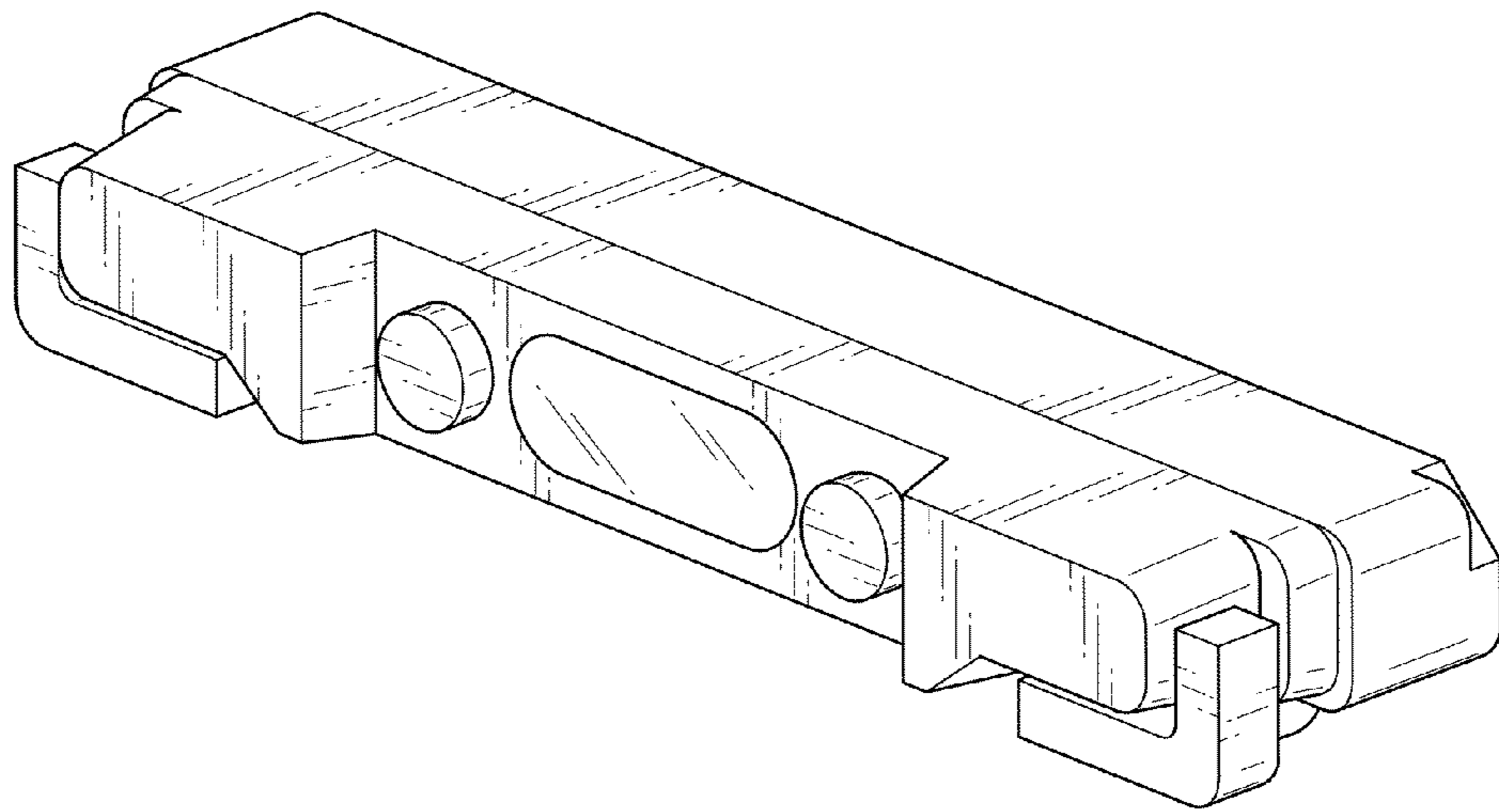


FIG.2

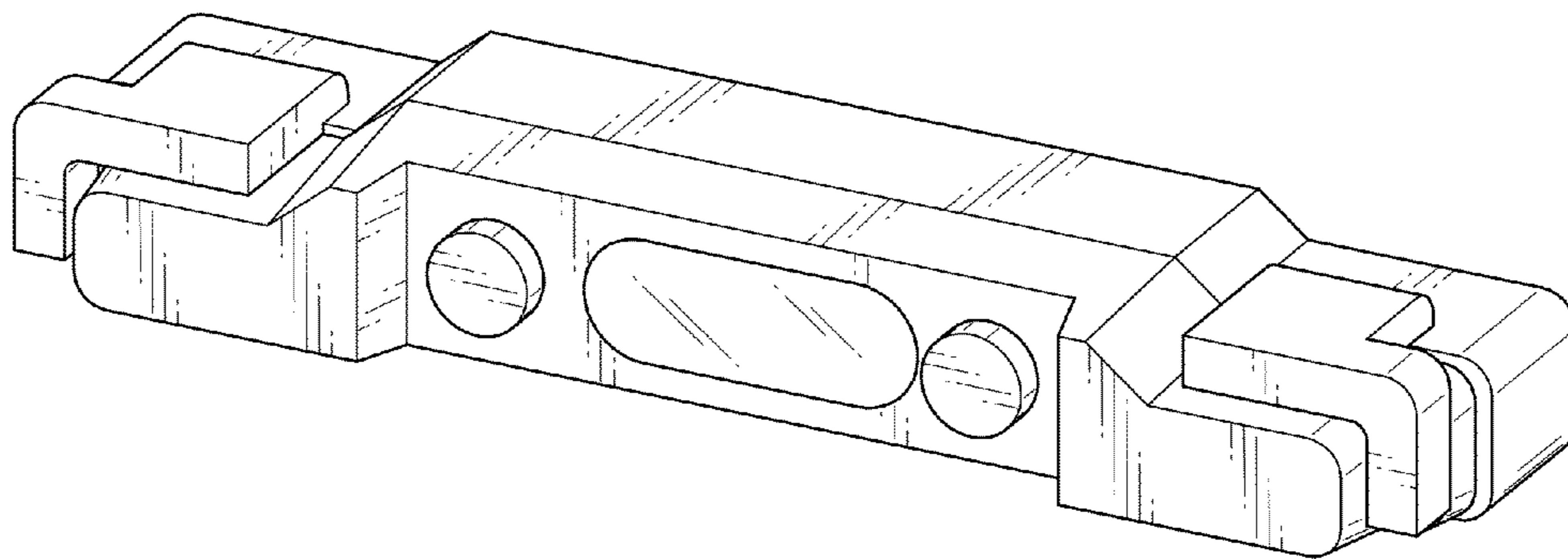


FIG.3

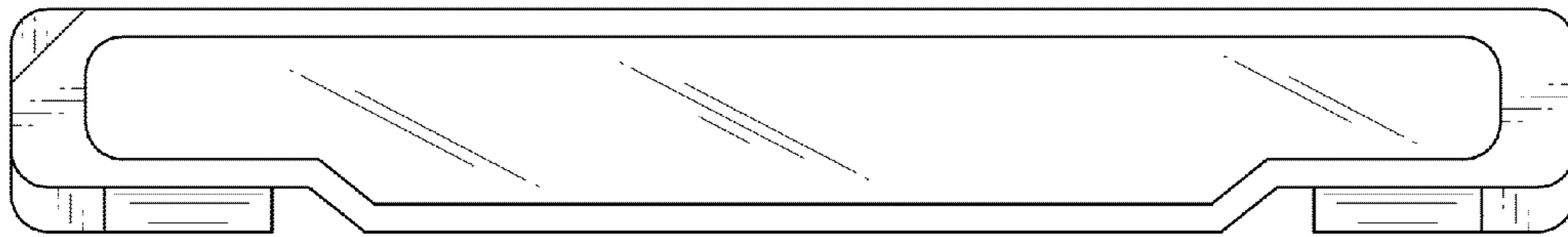


FIG.4

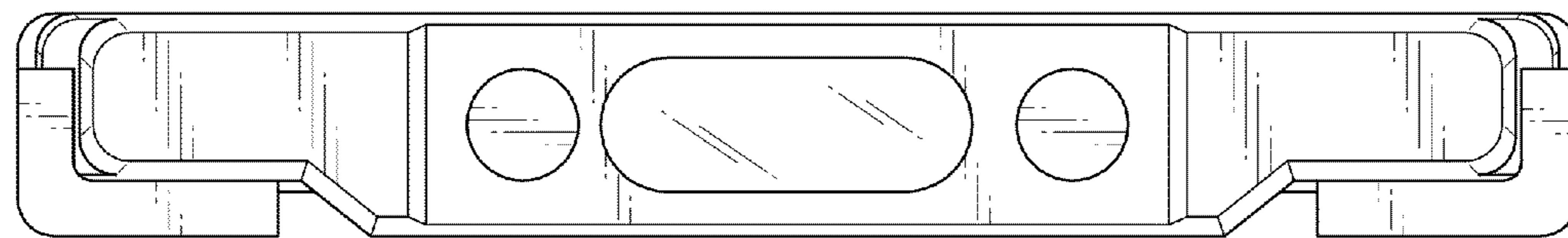


FIG.5

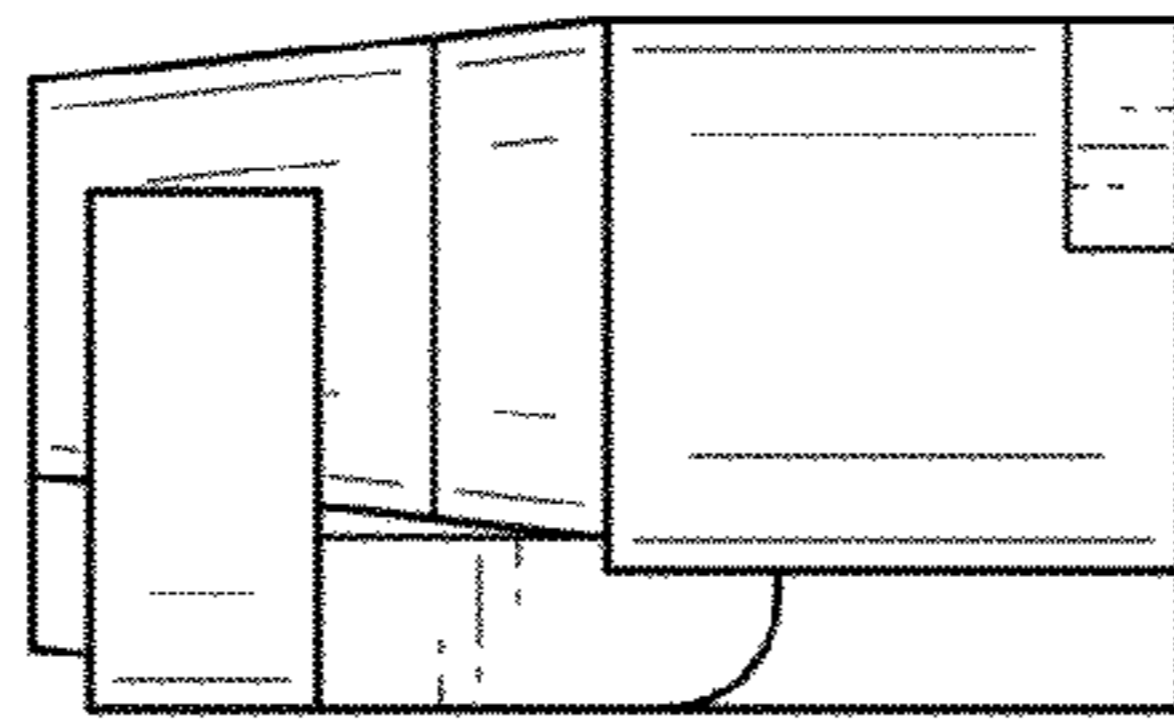


FIG.6

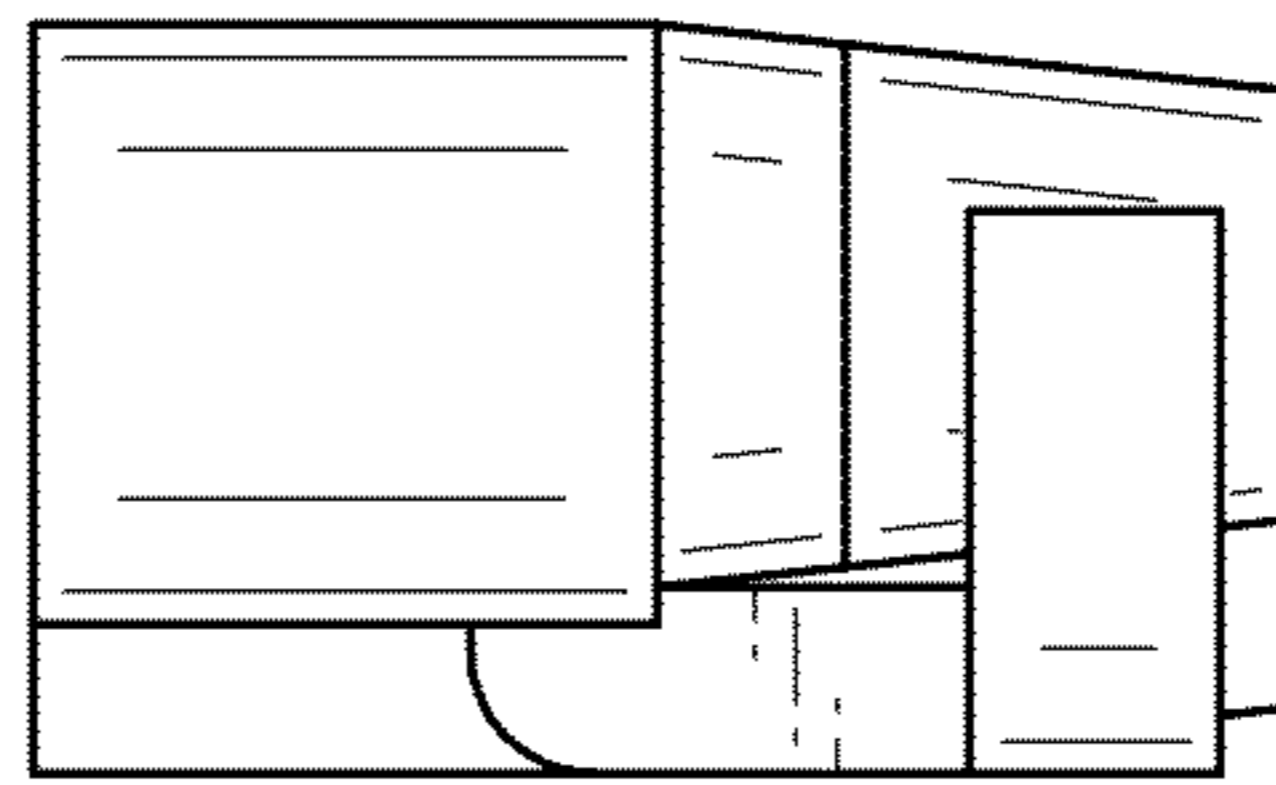


FIG.7

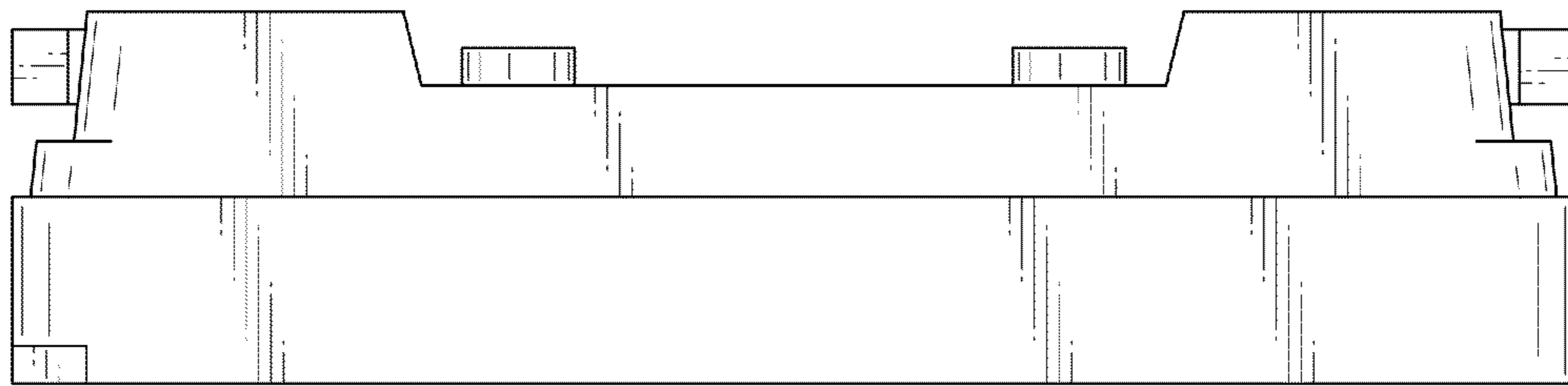


FIG.8

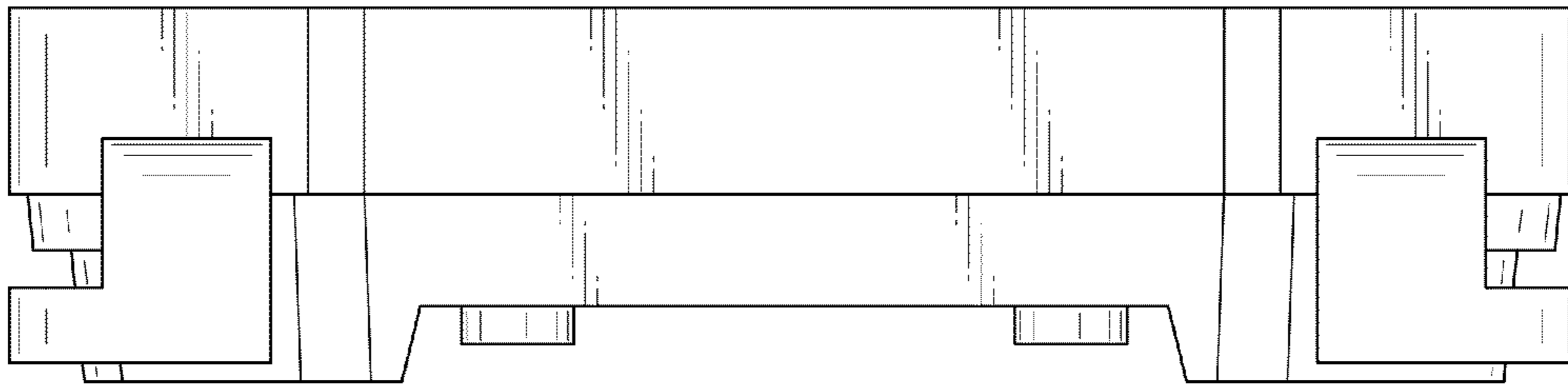


FIG.9