

US00D697876S

(12) **United States Design Patent**
Hsu et al.

(10) **Patent No.:** **US D697,876 S**
(45) **Date of Patent:** **** Jan. 21, 2014**

(54) **LIGHT EMITTING DIODE LEAD-FRAME**

(71) Applicant: **Lextar Electronics Corp.**, Hsinchu (TW)

(72) Inventors: **Hui-Kai Hsu**, Taitung (TW); **Che-Ming Hsu**, Chang Hua County (TW); **Shih-Ju Lo**, Taoyuan County (TW); **Kuan-Hao Chen**, New Taipei (TW)

(73) Assignee: **Lextar Electronics Corp.**, Hsinchu (TW)

(**) Term: **14 Years**

(21) Appl. No.: **29/454,484**

(22) Filed: **May 10, 2013**

(30) **Foreign Application Priority Data**

Nov. 20, 2012 (TW) 101306856

(51) **LOC (10) Cl.** **13-03**

(52) **U.S. Cl.**
USPC **D13/180**

(58) **Field of Classification Search**
USPC D13/180, 182; D10/104.1, 106.1;
D26/1, 2, 37; 257/79, 80, 81, 88, 89,
257/93-96, 98, 99, 100, 678, E33.058, 680,
257/433, 434, 666; 313/161, 483, 498, 499,
313/500; 345/39, 46, 82, 84; 361/800, 820;
372/45.01; 362/551, 555, 800
See application file for complete search history.

(56) **References Cited**

U.S. PATENT DOCUMENTS

D497,349 S * 10/2004 Hoshiba D13/180
D578,084 S * 10/2008 Kobayakawa D13/180
D578,969 S * 10/2008 Kobayakawa D13/180
7,615,799 B2 * 11/2009 Su 257/99

D622,231 S * 8/2010 Sung D13/180
D627,310 S * 11/2010 Lin et al. D13/180
D630,596 S * 1/2011 An D13/180
D630,777 S * 1/2011 Lee D26/24
D656,106 S * 3/2012 Hsu D13/180
D656,107 S * 3/2012 Hsu D13/180
D656,468 S * 3/2012 Park et al. D13/180
D664,103 S * 7/2012 Sasaoka et al. D13/180
D664,104 S * 7/2012 Hsu D13/180
D664,105 S * 7/2012 Hsu D13/180
D664,107 S * 7/2012 Wang D13/180
D664,505 S * 7/2012 Ko D13/180
D665,365 S * 8/2012 Lee et al. D13/180
D667,385 S * 9/2012 Lin D13/180
D668,235 S * 10/2012 Chang et al. D13/180
D668,623 S * 10/2012 Hsu D13/180
D668,624 S * 10/2012 Ko D13/180
D669,044 S * 10/2012 Hsu D13/180
D670,661 S * 11/2012 Chang D13/180
D670,663 S * 11/2012 Ko D13/180
D671,082 S * 11/2012 Chang D13/180
D675,170 S * 1/2013 Ko D13/180

(Continued)

Primary Examiner — Elizabeth J Oswecki

(74) *Attorney, Agent, or Firm* — Schmeiser, Olsen & Watts LLP

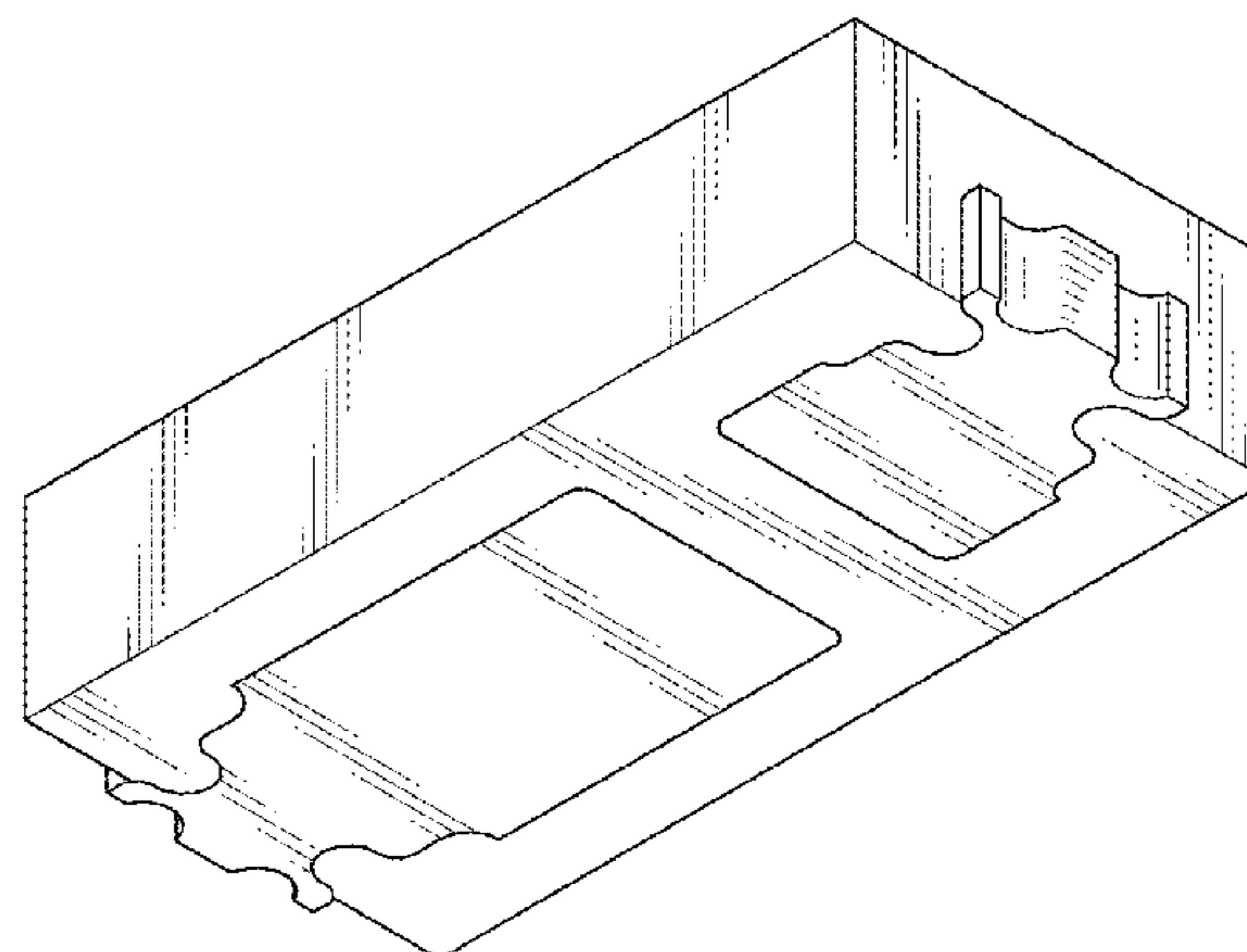
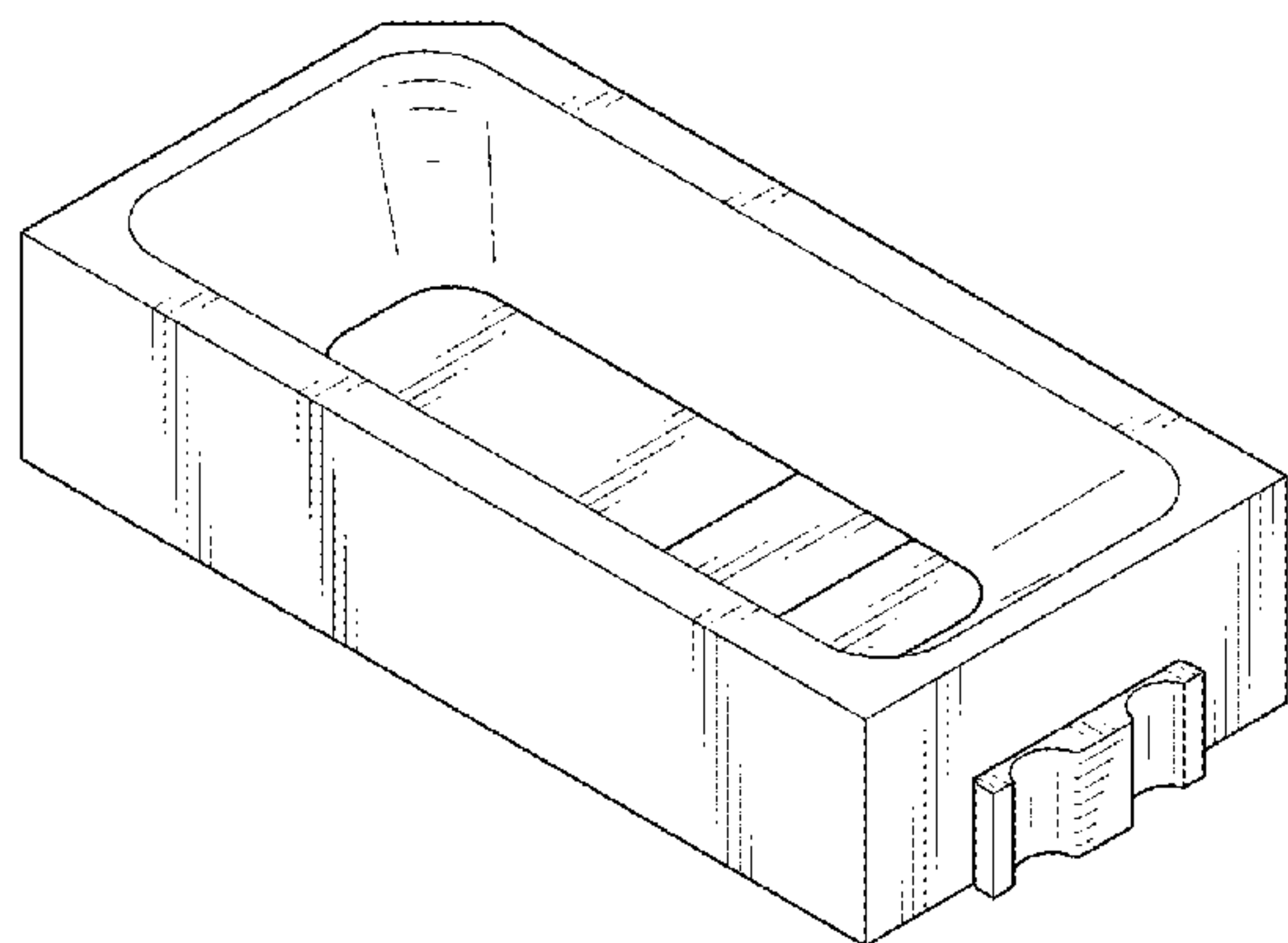
(57) **CLAIM**

The ornamental design for a light emitting diode lead-frame, as shown and described.

DESCRIPTION

FIG. 1 is a front perspective view of a light emitting diode lead-frame showing our new design;
FIG. 2 is another perspective view thereof;
FIG. 3 is a front elevational view thereof;
FIG. 4 is a rear elevational view thereof;
FIG. 5 is a left side elevational view thereof;
FIG. 6 is a right side elevational view thereof;
FIG. 7 is a top plan view thereof; and,
FIG. 8 is a bottom plan view thereof.

1 Claim, 8 Drawing Sheets



(56)

References Cited

U.S. PATENT DOCUMENTS

D678,225 S *	3/2013	Ko et al.	D13/180	2010/0102348 A1*	4/2010	Lin	257/98
D678,226 S *	3/2013	Hsu et al.	D13/180	2011/0127566 A1*	6/2011	Yoon	257/99
D679,666 S *	4/2013	Hsu et al.	D13/180	2011/0186873 A1*	8/2011	Emerson	257/88
2006/0284207 A1*	12/2006	Park et al.	257/99	2012/0074451 A1*	3/2012	Lin	257/99
					2012/0161180 A1*	6/2012	Komatsu et al.	257/98
					2012/0211789 A1*	8/2012	Lee et al.	257/98

* cited by examiner

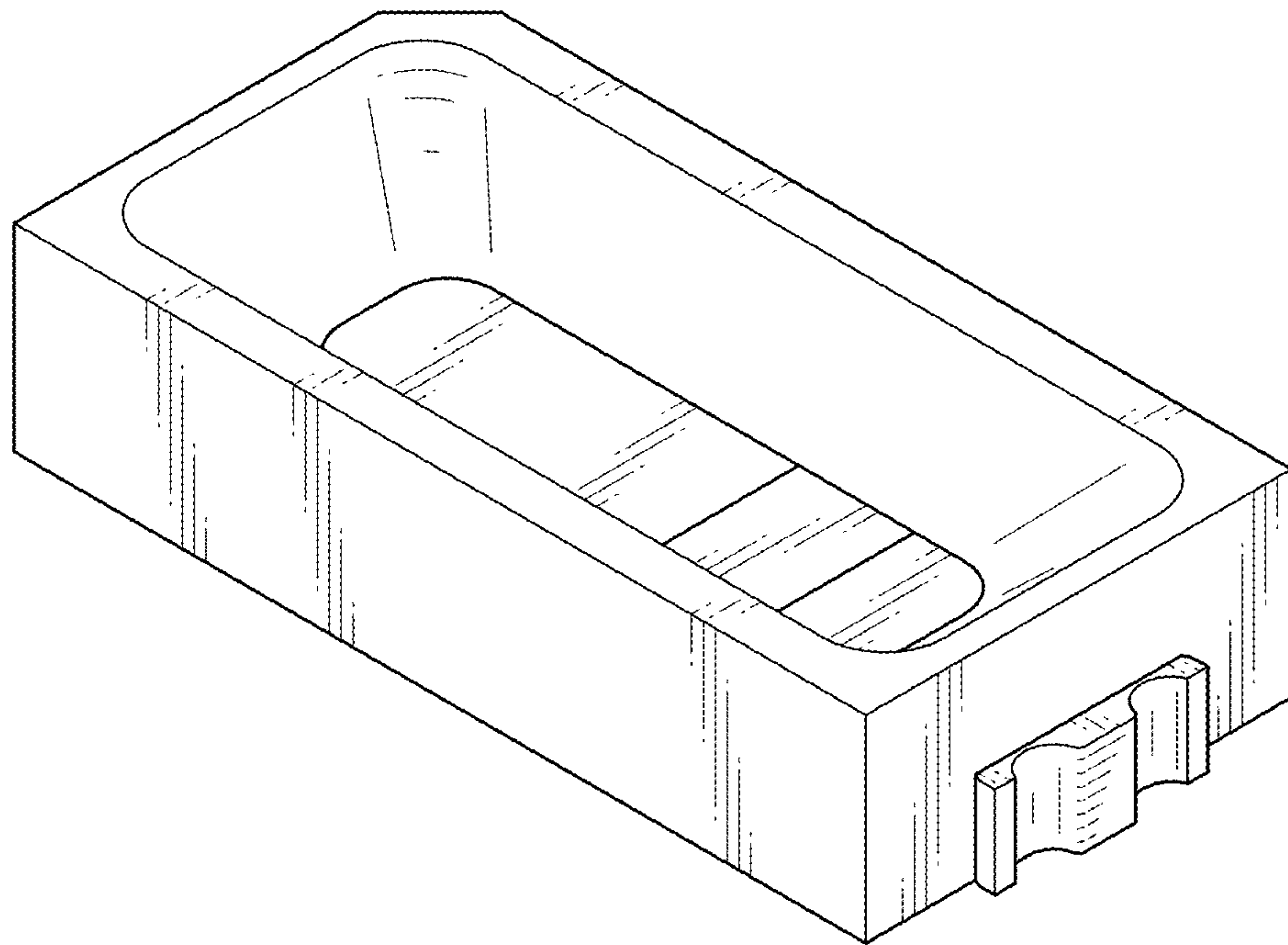


FIG. 1

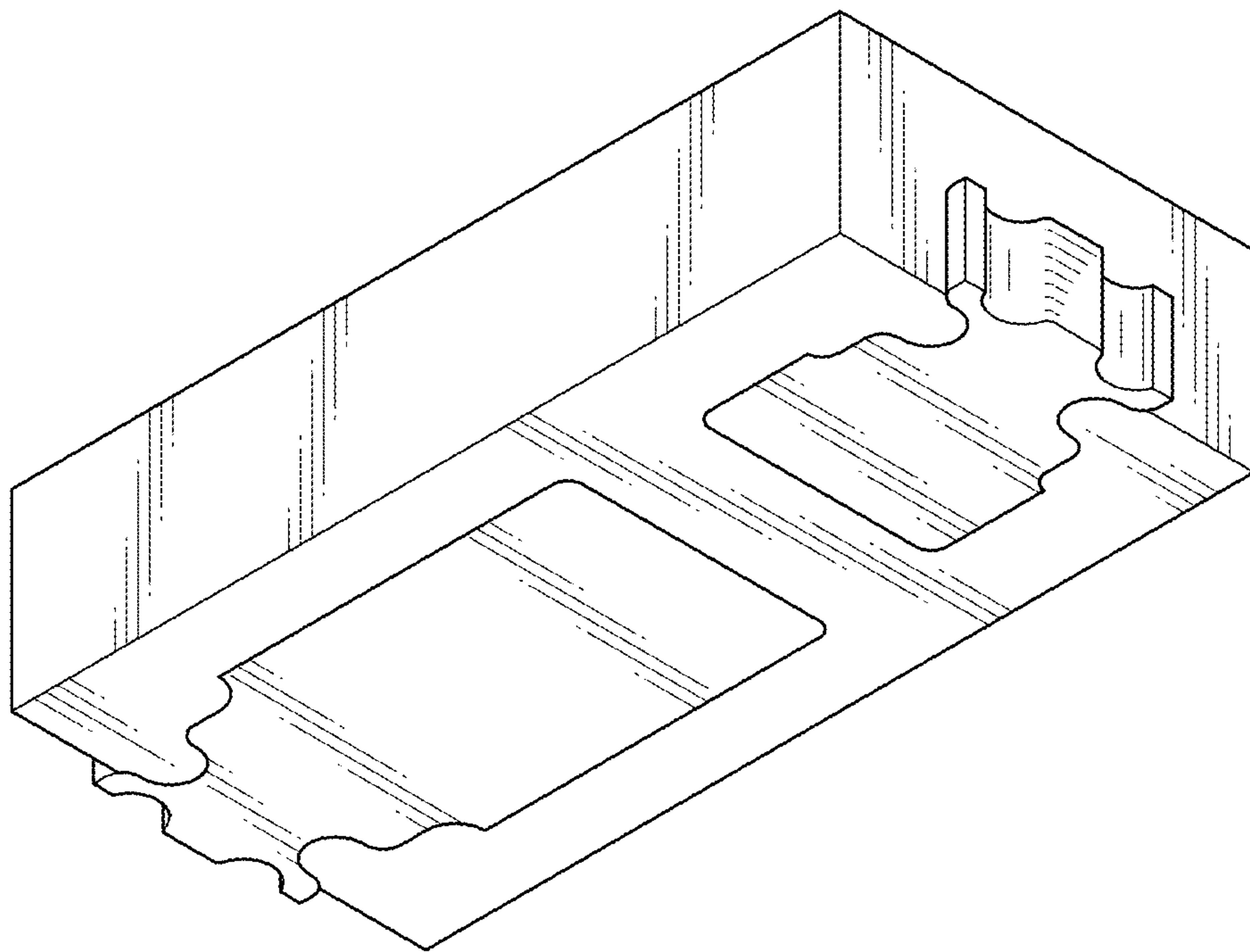


FIG. 2

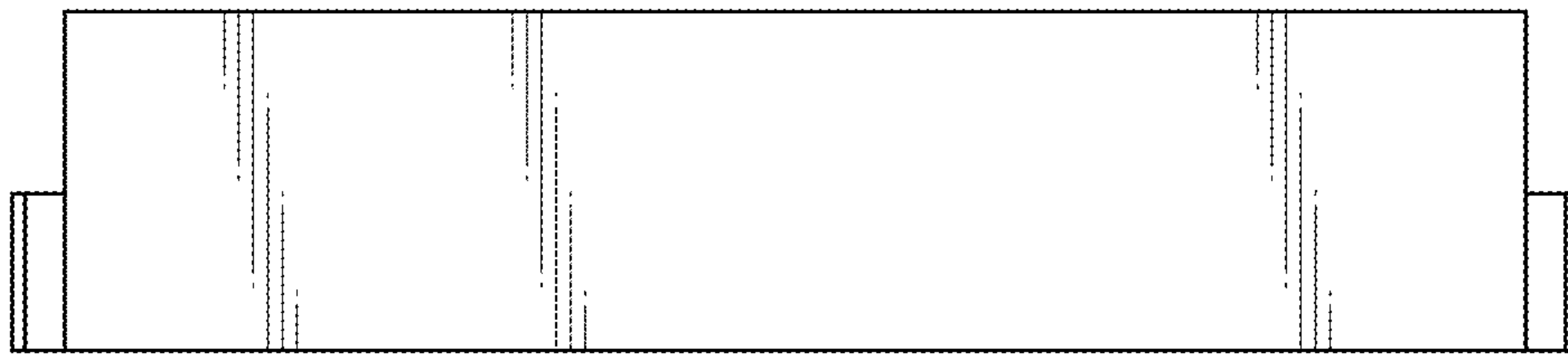


FIG.3

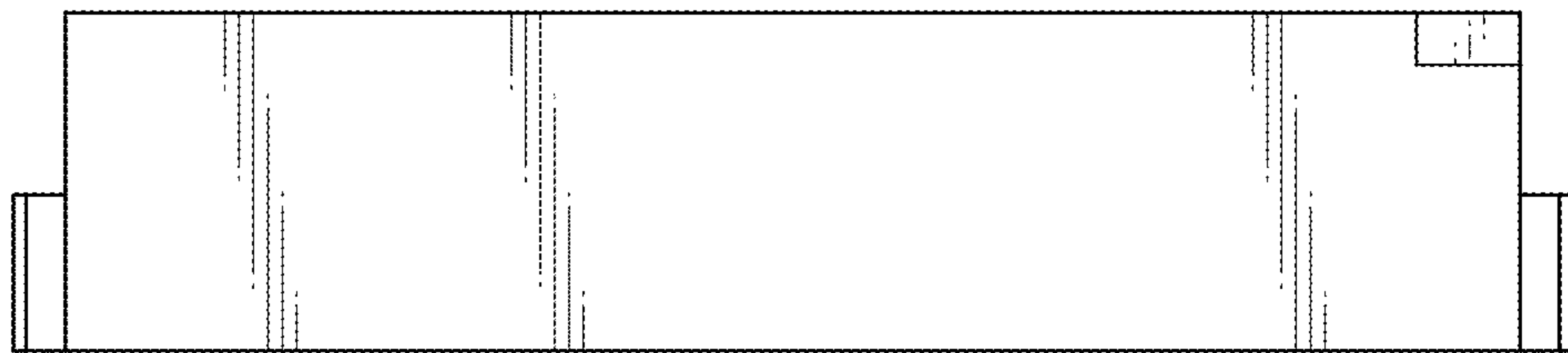


FIG.4

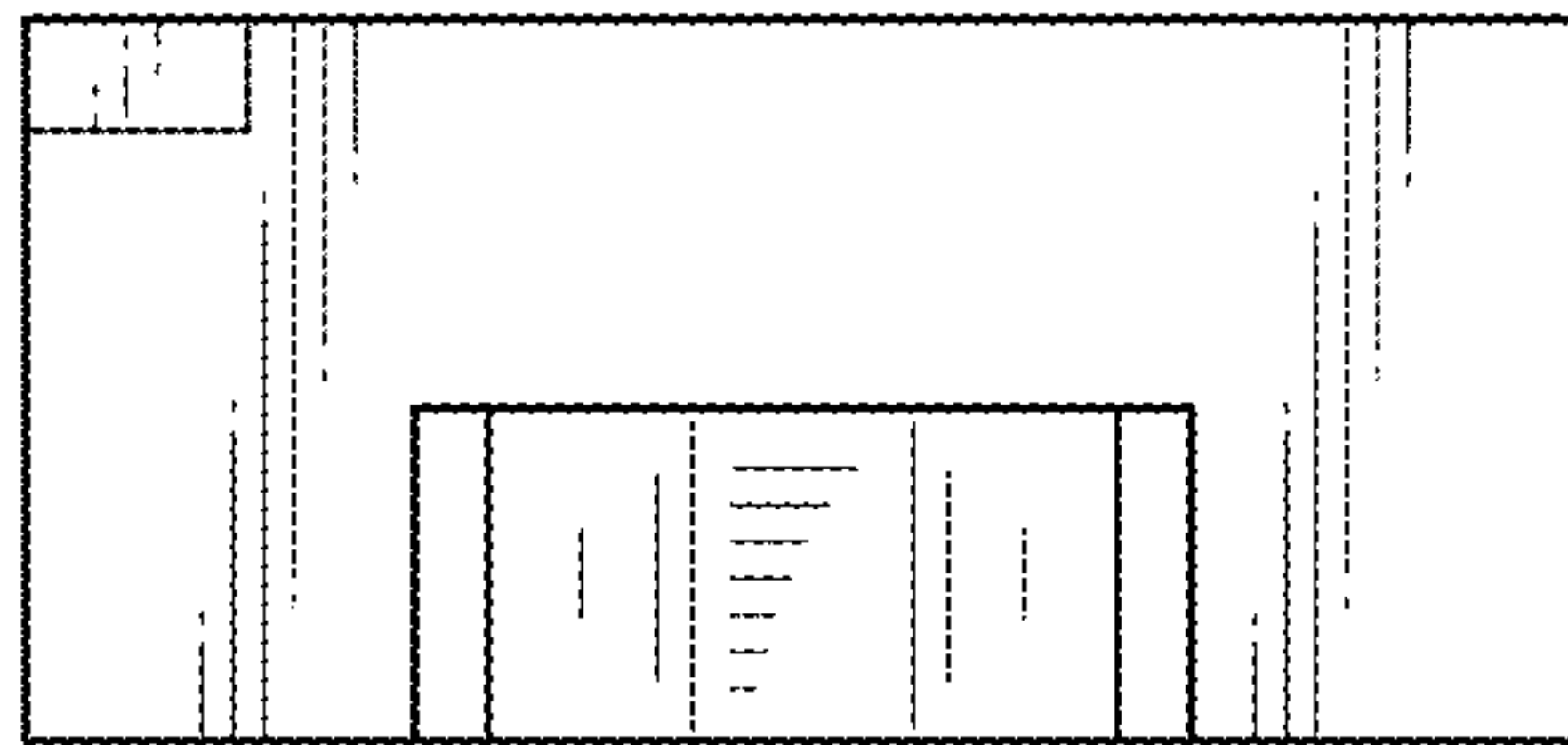


FIG.5

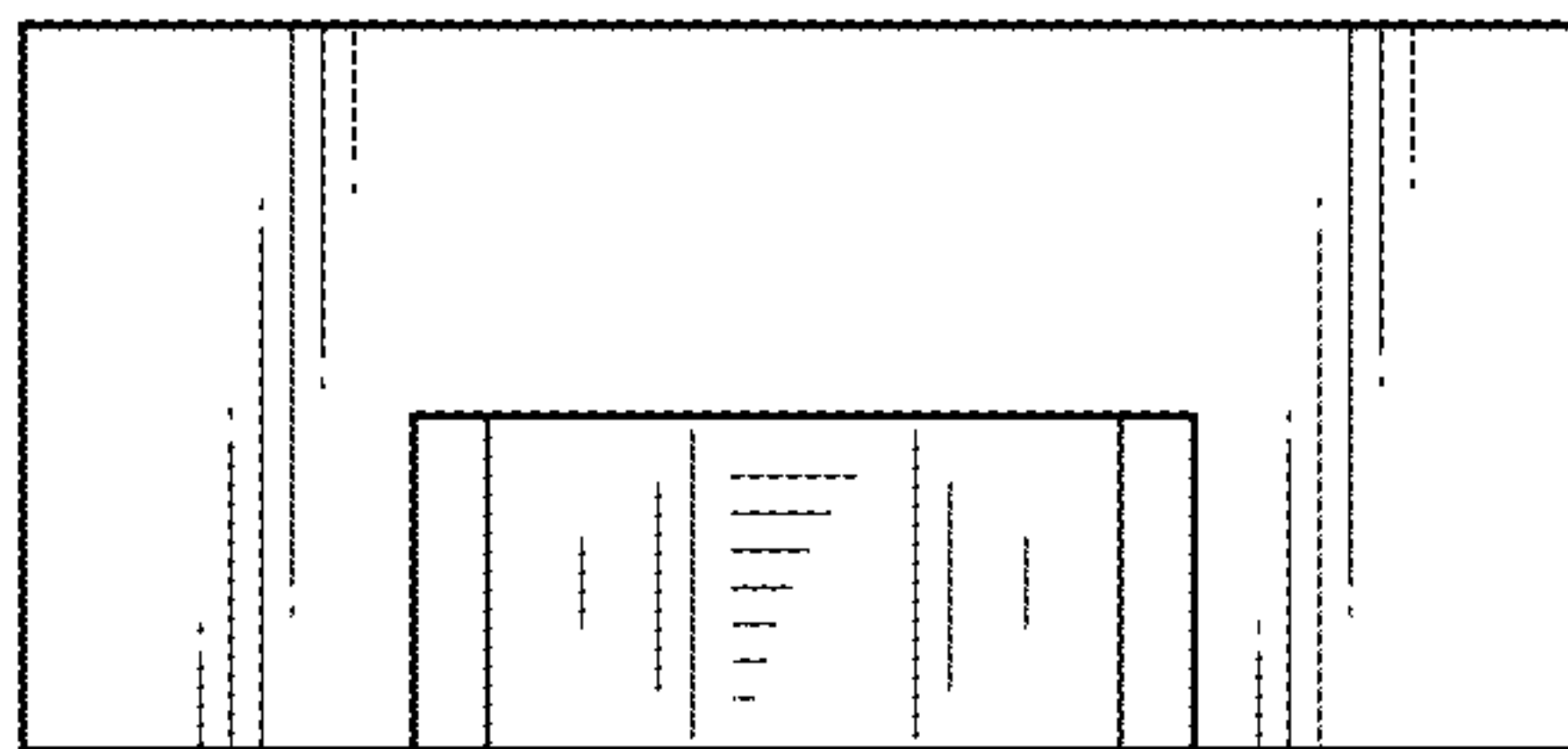


FIG.6

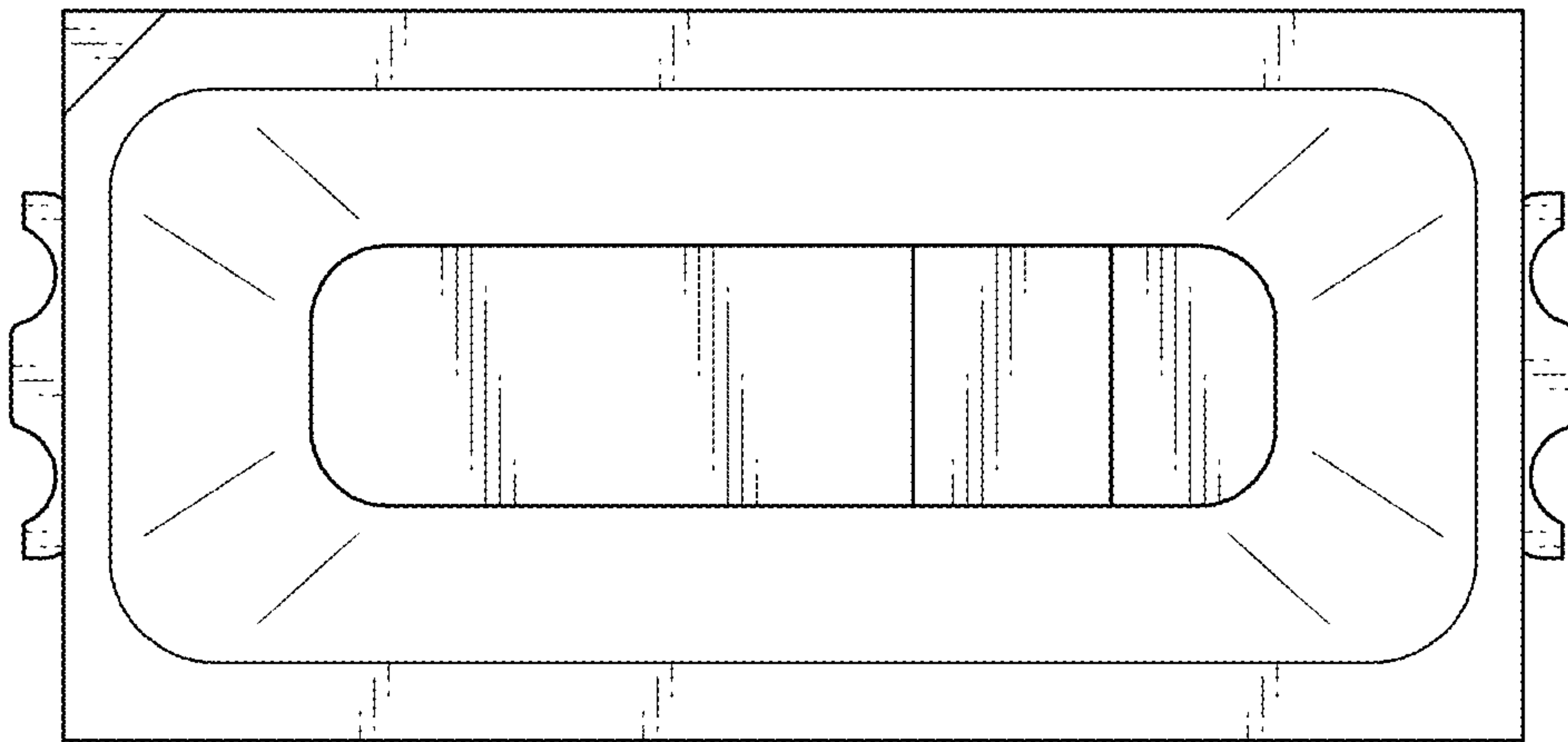


FIG.7

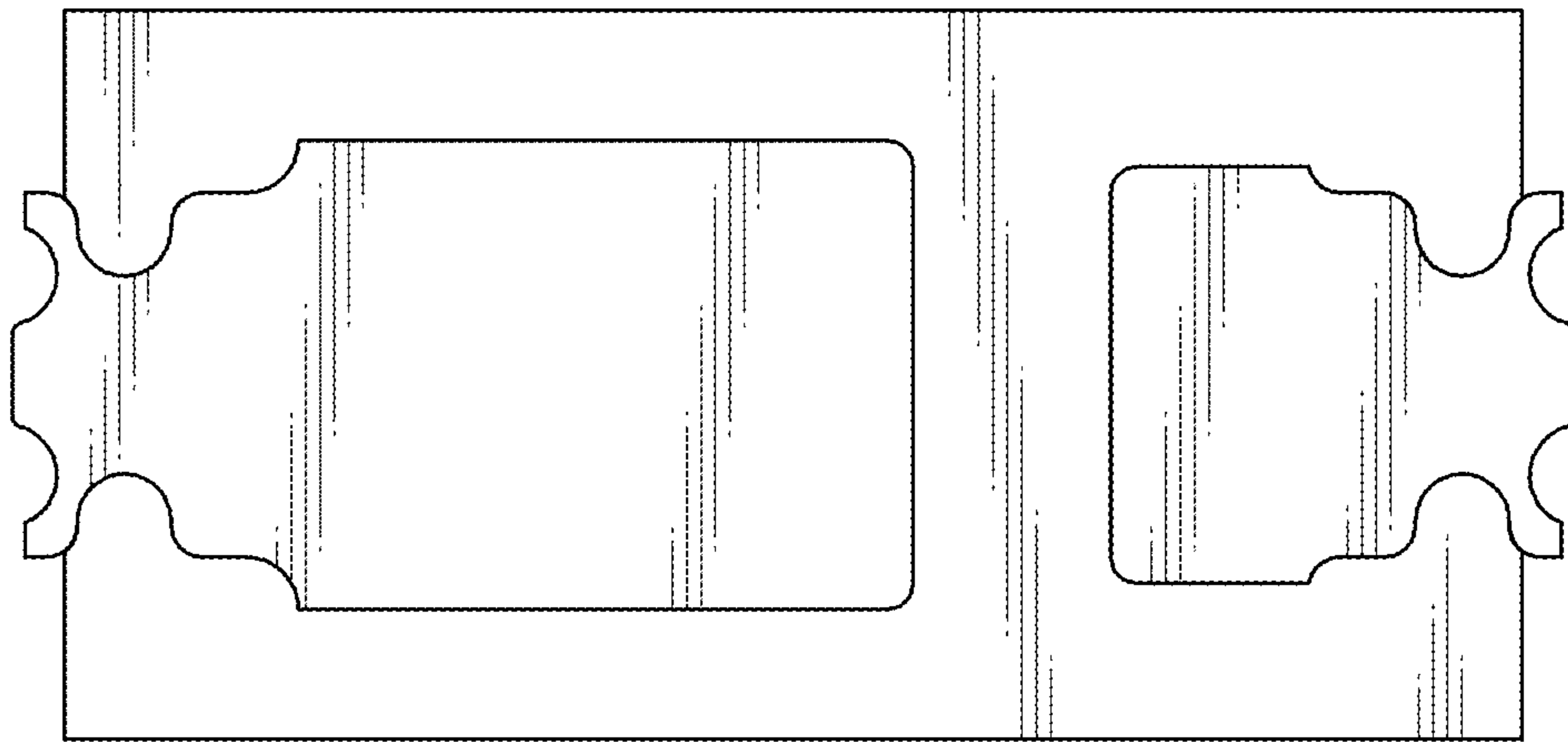


FIG. 8