



US00D697875S

(12) **United States Design Patent**
Kleinschmidt et al.

(10) **Patent No.:** **US D697,875 S**
(45) **Date of Patent:** **** Jan. 21, 2014**

(54) **BELL COVER FOR A GAS-INSULATED SWITCHGEAR**

(75) Inventors: **Andreas Kleinschmidt**, Oranienburg (DE); **Steffen Strassberger**, Wernigerode (DE)

(73) Assignee: **Siemens Aktiengesellschaft**, Munich (DE)

(**) Term: **14 Years**

(21) Appl. No.: **29/411,796**

(22) Filed: **Jan. 26, 2012**

(30) **Foreign Application Priority Data**

Aug. 24, 2011 (EP) 001290662

(51) **LOC (10) Cl.** **13-03**

(52) **U.S. Cl.**
USPC **D13/177**

(58) **Field of Classification Search**
USPC D13/173, 174, 177, 184; 218/118; 200/293, 304; 310/89, 216.014; 361/604, 605, 612, 616; 417/423.11

See application file for complete search history.

(56) **References Cited**

U.S. PATENT DOCUMENTS

| | | | | |
|--------------|------|---------|-------------------------------|------------|
| 5,521,567 | A * | 5/1996 | Devonald et al. | 335/132 |
| 5,548,089 | A * | 8/1996 | Yamat | 174/142 |
| D417,437 | S * | 12/1999 | Kim, II | D13/177 |
| 6,014,072 | A * | 1/2000 | Gimeno et al. | 336/173 |
| 6,265,685 | B1 * | 7/2001 | Faure et al. | 218/149 |
| 6,379,128 | B1 * | 4/2002 | Dietrich | 417/423.11 |
| 6,560,091 | B1 * | 5/2003 | Takahoshi et al. | 361/604 |
| 2007/0261946 | A1 * | 11/2007 | Yu | 200/48 R |
| 2012/0113568 | A1 * | 5/2012 | Sologuren-Sanchez et al. | 361/612 |
| 2012/0312668 | A1 * | 12/2012 | Luthy et al. | 200/293 |

* cited by examiner

Primary Examiner — Selina Sikder

(74) *Attorney, Agent, or Firm* — Laurence A. Greenberg; Werner H. Stemer; Ralph E. Locher

(57) **CLAIM**

The ornamental design for a bell cover for a gas-insulated switchgear, as shown and described.

DESCRIPTION

FIG. 1 is a front view of a bell cover for a gas-insulated switchgear showing my new design;
FIG. 2 is a rear elevation view thereof;
FIG. 3 is a top view thereof;
FIG. 4 is a bottom thereof;
FIG. 5 is a right side elevation view thereof;
FIG. 6 is a left side elevation view thereof; and,
FIG. 7 is a top perspective view thereof.

1 Claim, 7 Drawing Sheets

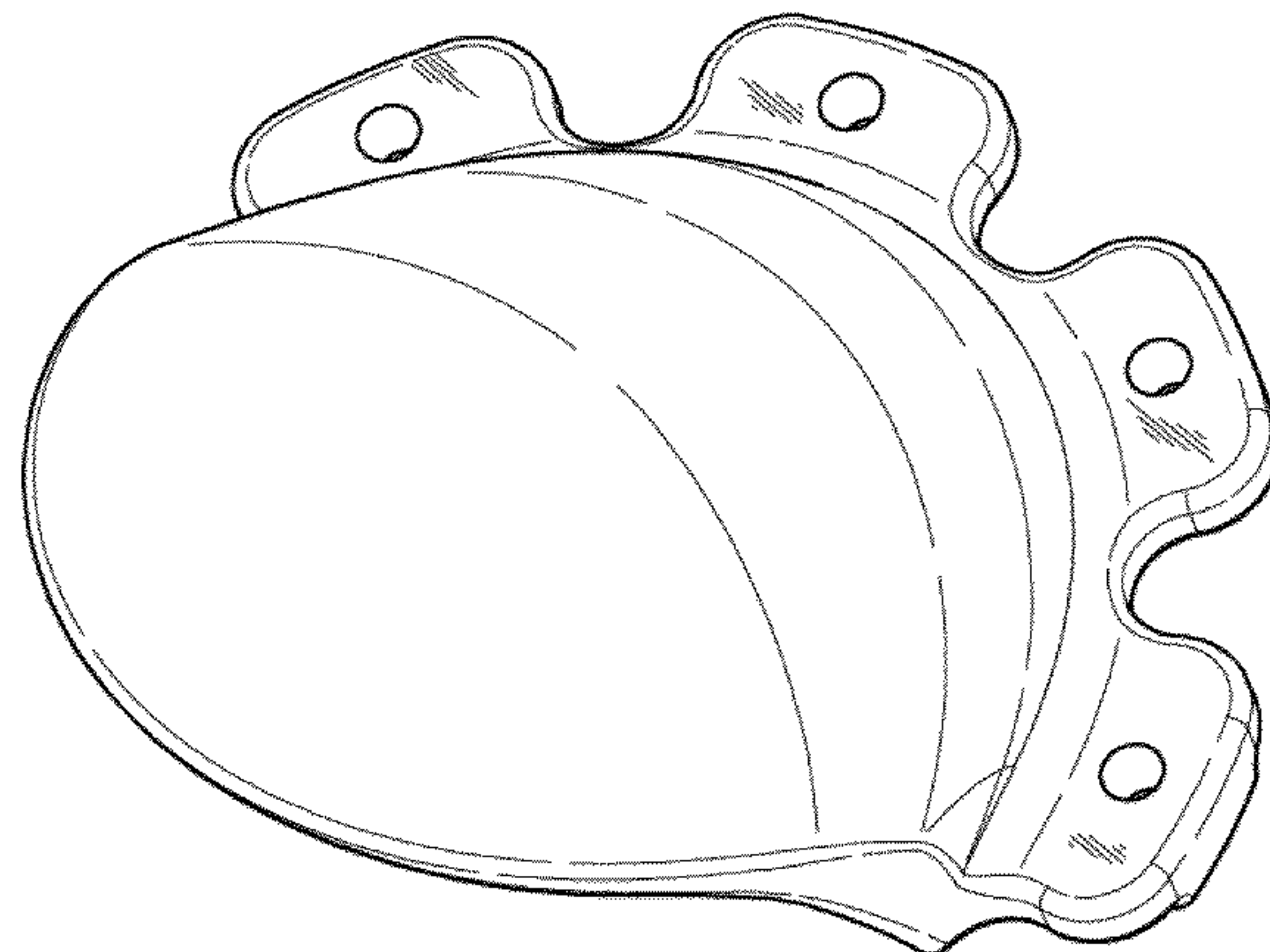
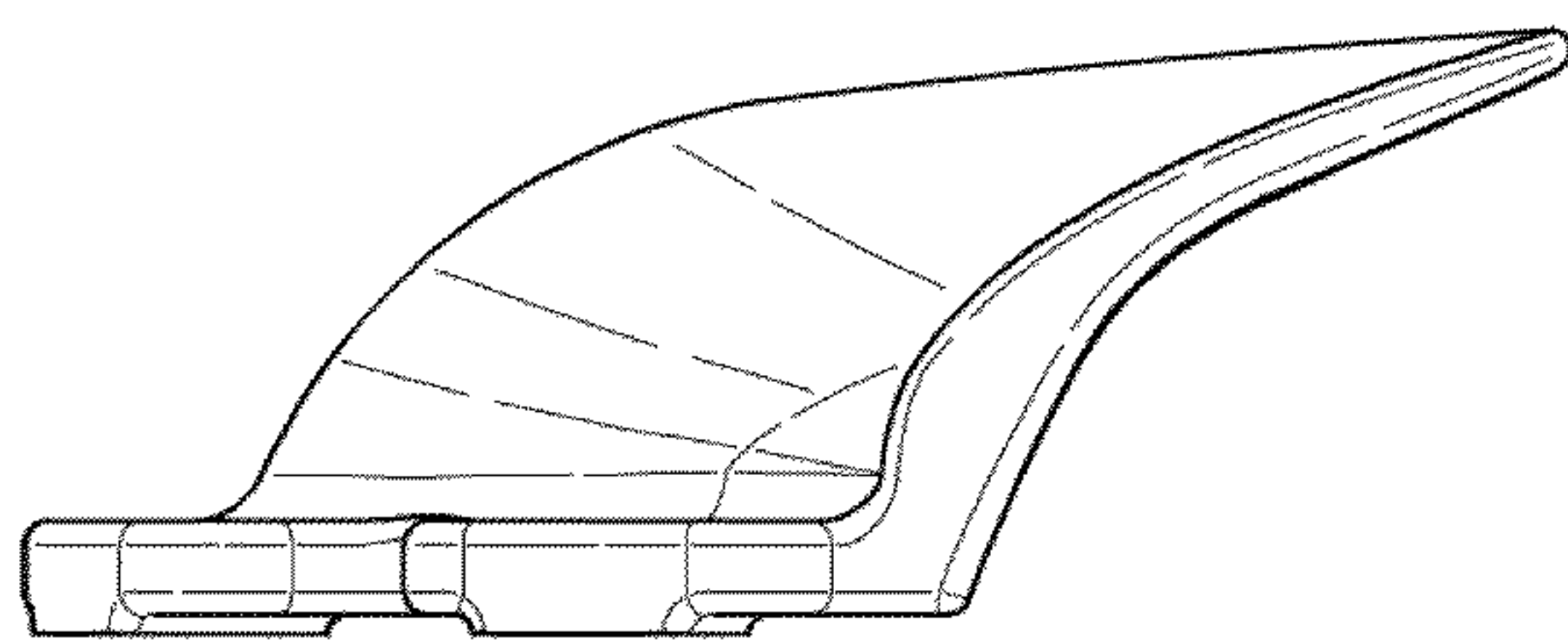


FIG 1

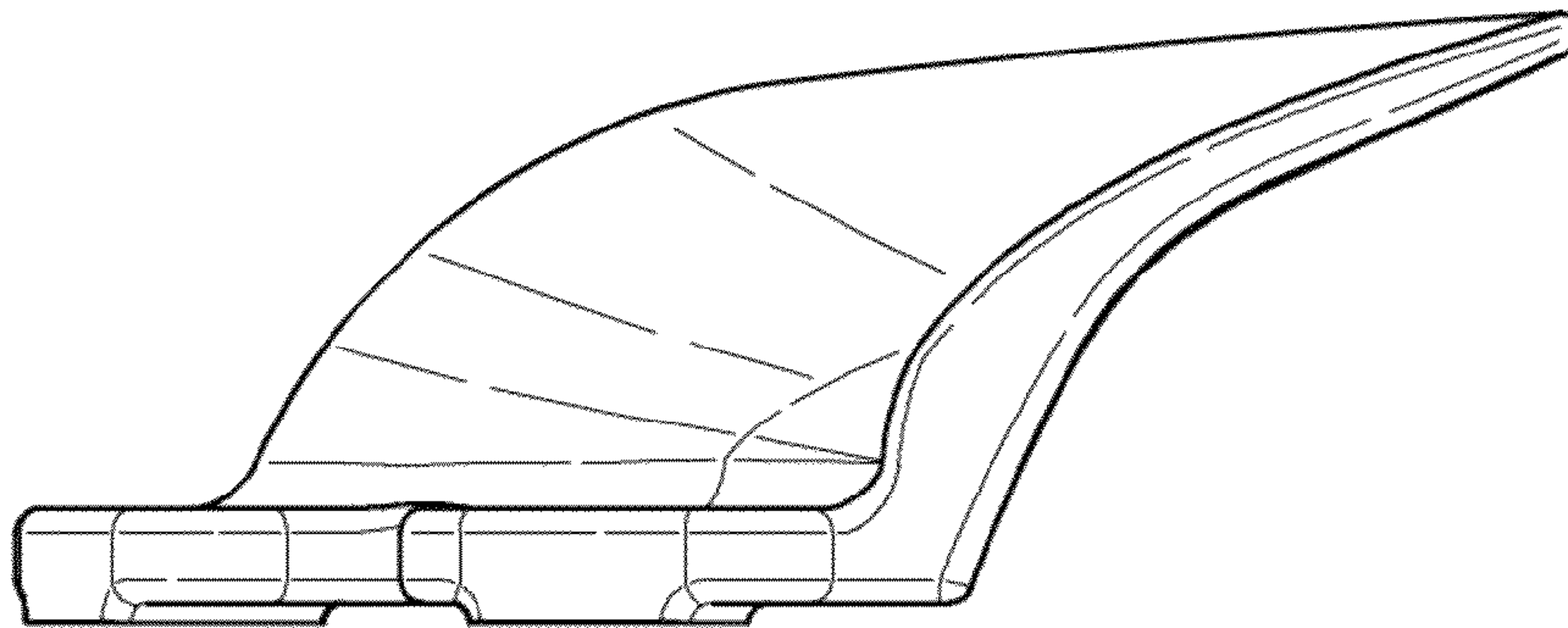


FIG 2

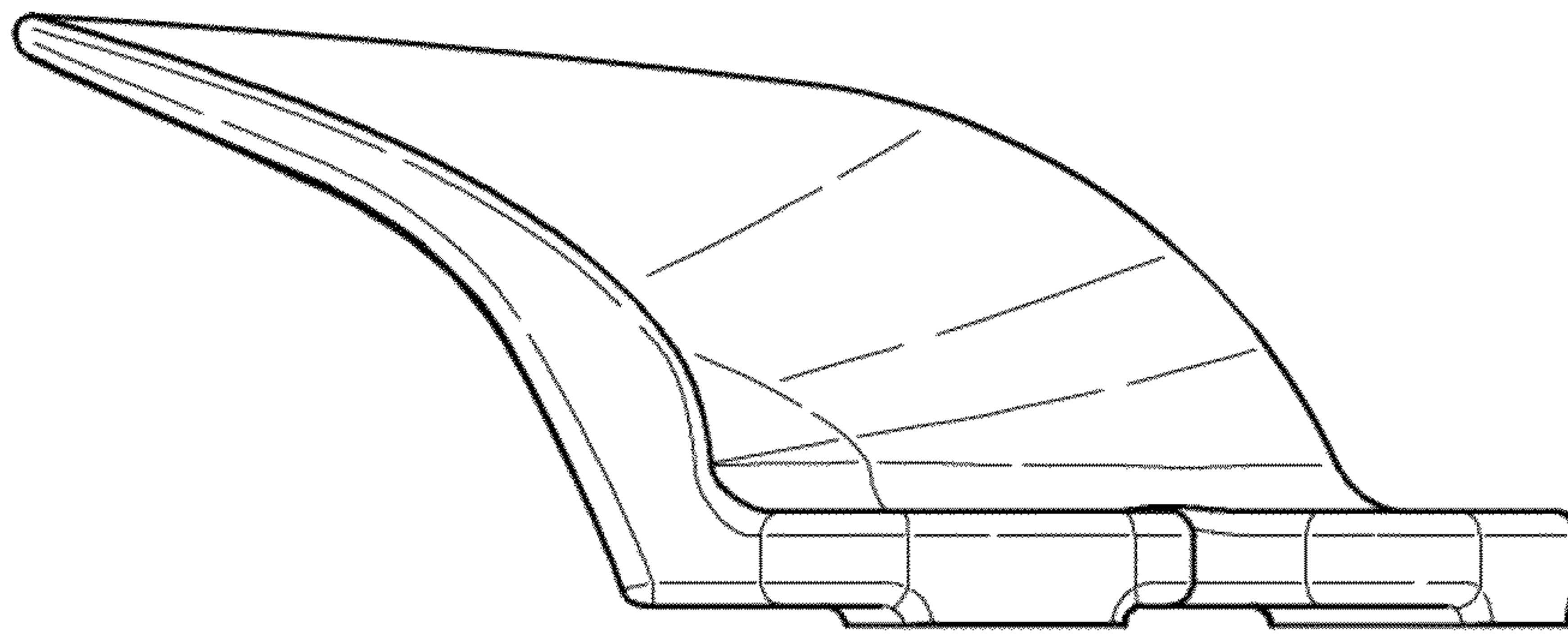


FIG 3

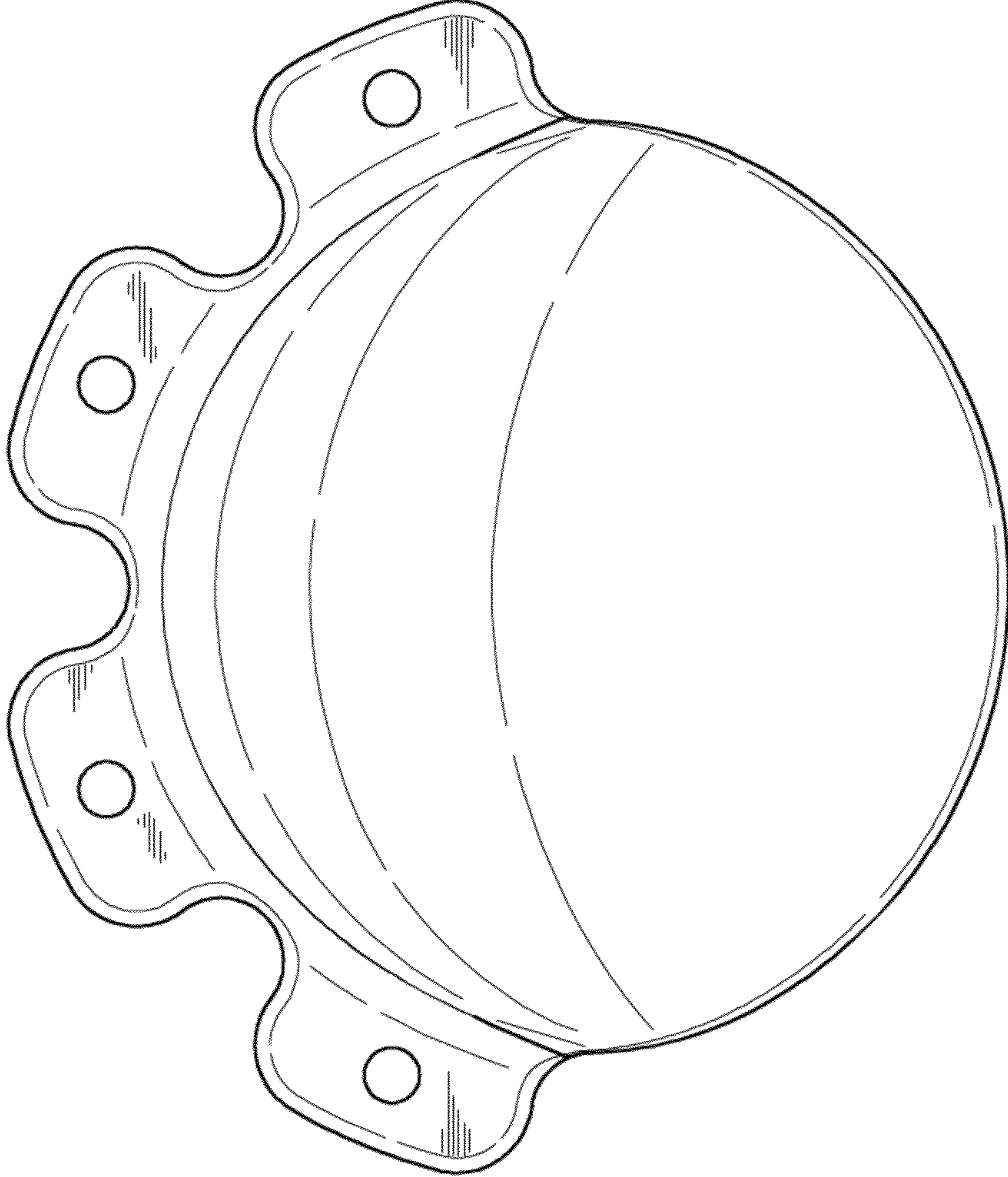


FIG 4

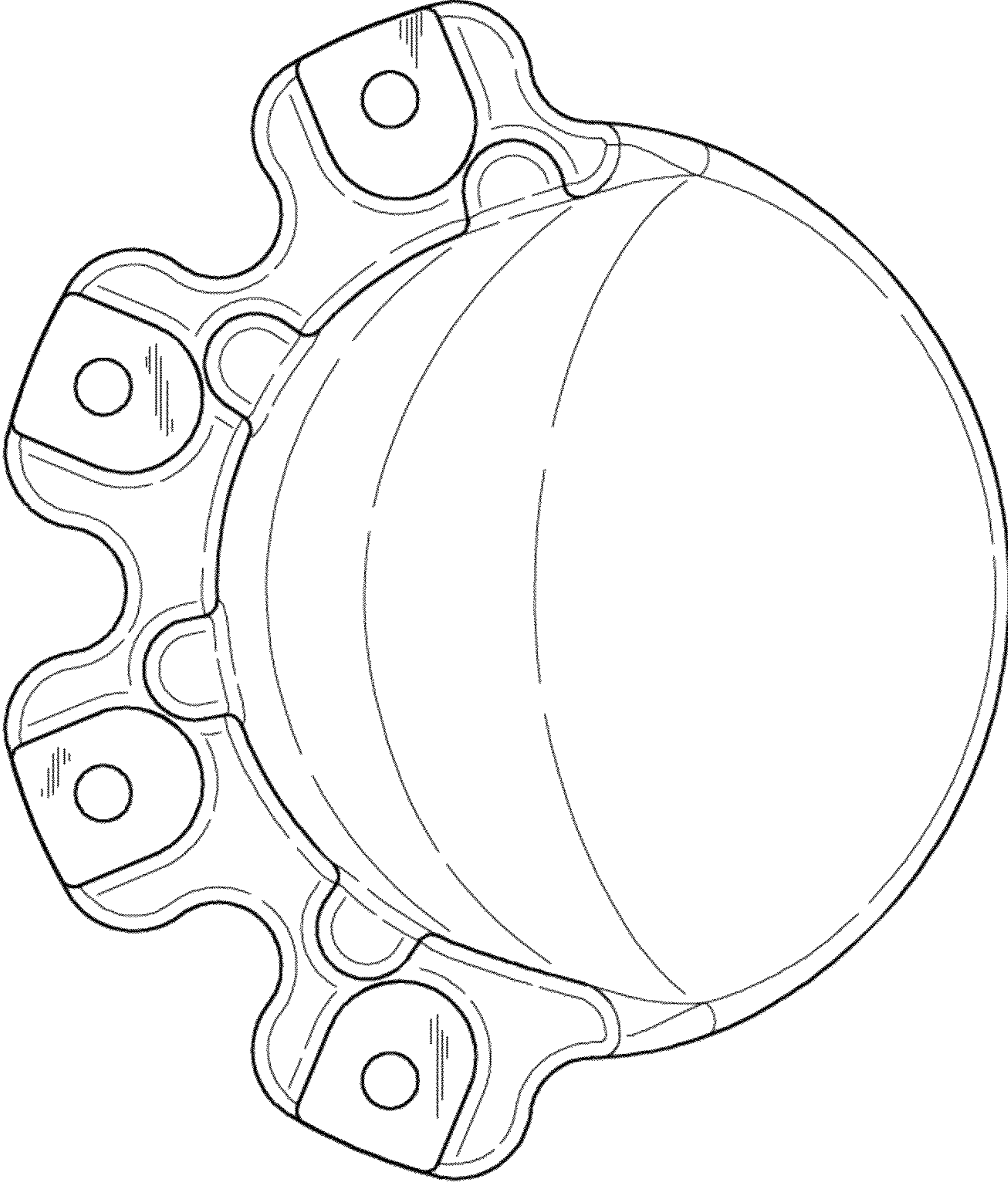


FIG 5

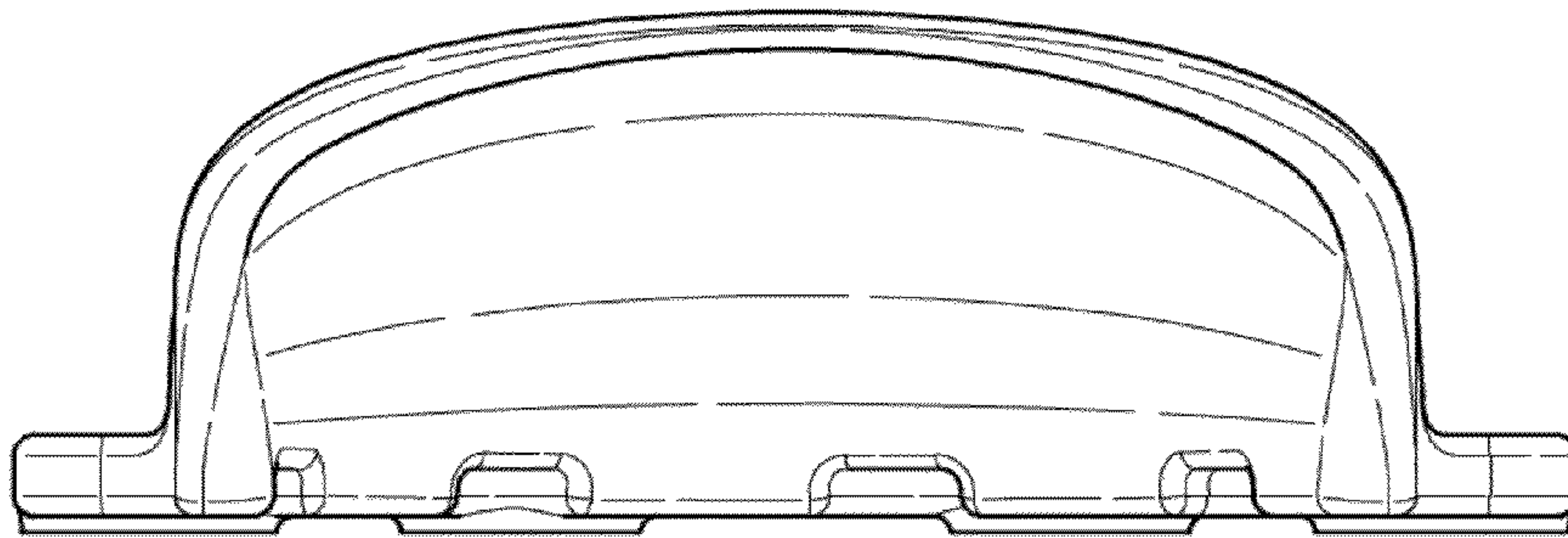


FIG 6

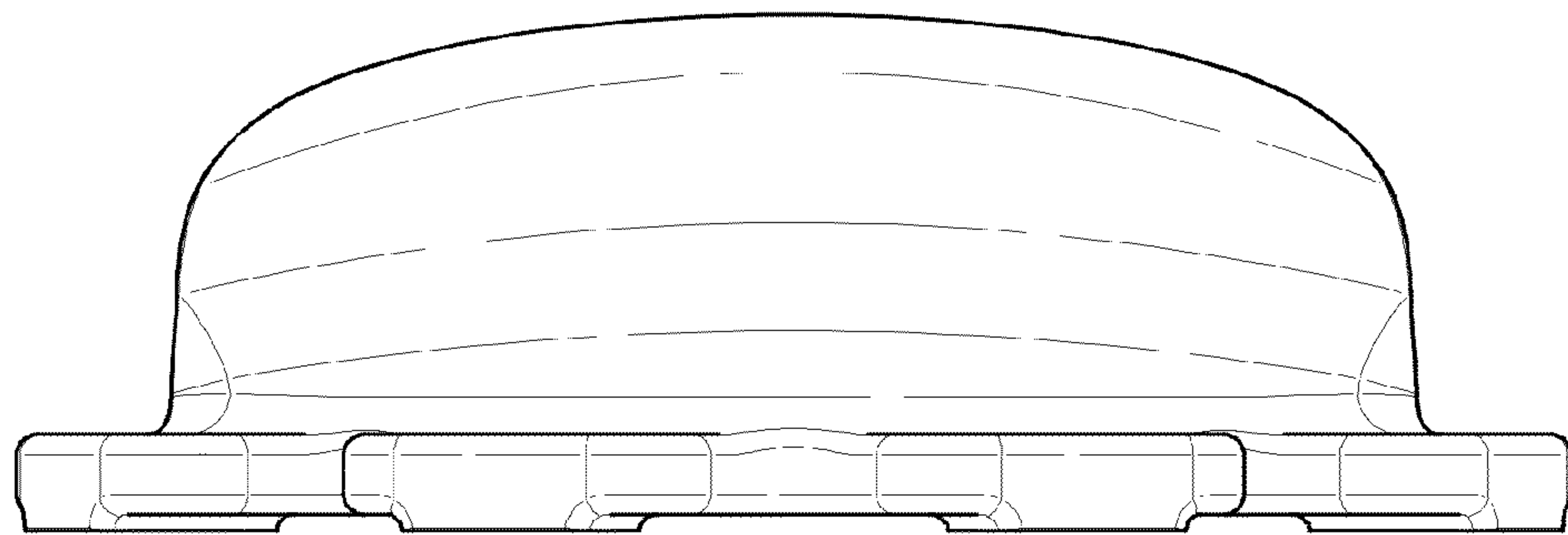


FIG 7

