



US00D697874S

(12) **United States Design Patent**
Stusynski et al.

(10) **Patent No.:** **US D697,874 S**
(45) **Date of Patent:** **** Jan. 21, 2014**

- (54) **REMOTE CONTROL**
- (71) Applicant: **Select Comfort Corporation**,
Minneapolis, MN (US)
- (72) Inventors: **Stacy Stusynski**, Blaine, MN (US);
Yi-ching Chen, Maple Grove, MN (US);
John McGuire, New Hope, MN (US)
- (73) Assignee: **Select Comfort Corporation**,
Minneapolis, MN (US)
- (**) Term: **14 Years**
- (21) Appl. No.: **29/449,793**
- (22) Filed: **Mar. 15, 2013**
- (51) **LOC (10) Cl.** **14-03**
- (52) **U.S. Cl.**
USPC **D13/168**
- (58) **Field of Classification Search**
USPC D13/168; D10/104.1, 106.1; D14/218;
D24/200, 215; 318/16; 340/4.3, 4.42,
340/12.22, 12.23, 12.24, 12.29, 12.3, 13.2,
340/13.21, 13.24; 341/176; 601/1, 72;
700/17, 65, 83
See application file for complete search history.

6,106,576	A *	8/2000	Fromson	318/16
D447,742	S *	9/2001	Cornille	D14/218
6,396,224	B1 *	5/2002	Luff et al.	318/16
D485,827	S *	1/2004	Olson et al.	D14/218
D531,136	S *	10/2006	Schoenert et al.	D13/168
D584,696	S *	1/2009	Howman et al.	D13/168
D609,197	S *	2/2010	Koskela et al.	D13/168
D631,853	S *	2/2011	Choi et al.	D13/168
D631,871	S *	2/2011	Demskie et al.	D14/218
D666,161	S *	8/2012	Zhu et al.	D13/168
2009/0126115	A1 *	5/2009	Doering et al.	5/616

* cited by examiner

Primary Examiner — Selina Sikder

(74) *Attorney, Agent, or Firm* — Schwegman Lundberg & Woessner, P.A.

(57) **CLAIM**

The ornamental design for a remote control, as shown and described.

DESCRIPTION

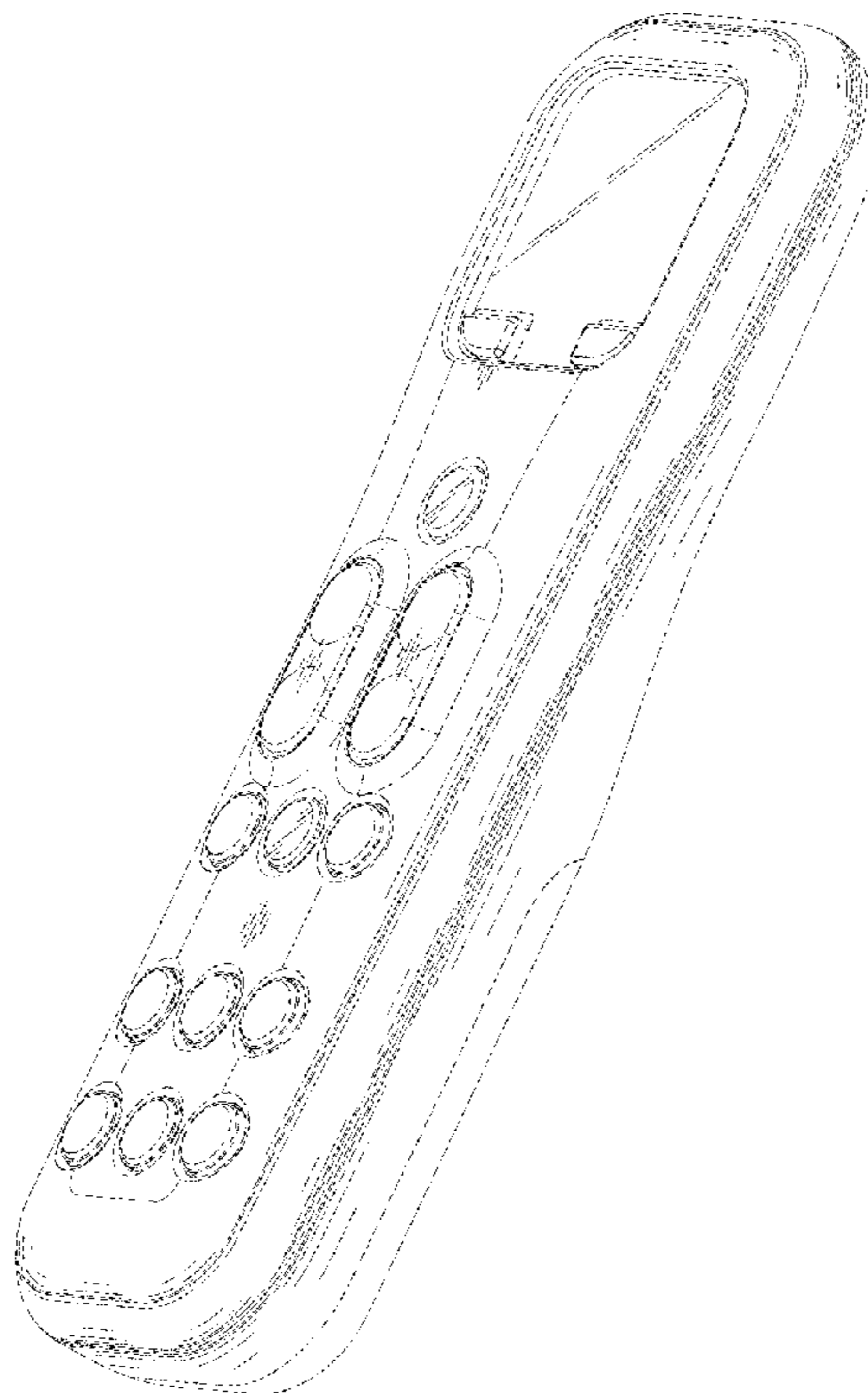
FIG. 1 is a front perspective view of a remote control;
 FIG. 2 is a front view of the remote control;
 FIG. 3 is a rear view of the remote control;
 FIG. 4 is a right side view of the remote control;
 FIG. 5 is a left side view of the remote control;
 FIG. 6 is a top view of the remote control; and,
 FIG. 7 is a bottom view of the remote control.
 The broken-line disclosure in the views is understood to represent a portion of the article in which the claimed design is embodied, but which forms no part of the claimed design.

(56) **References Cited**

U.S. PATENT DOCUMENTS

D410,468	S *	6/1999	Kazama	D14/218
6,037,723	A *	3/2000	Shafer et al.	318/6

1 Claim, 4 Drawing Sheets



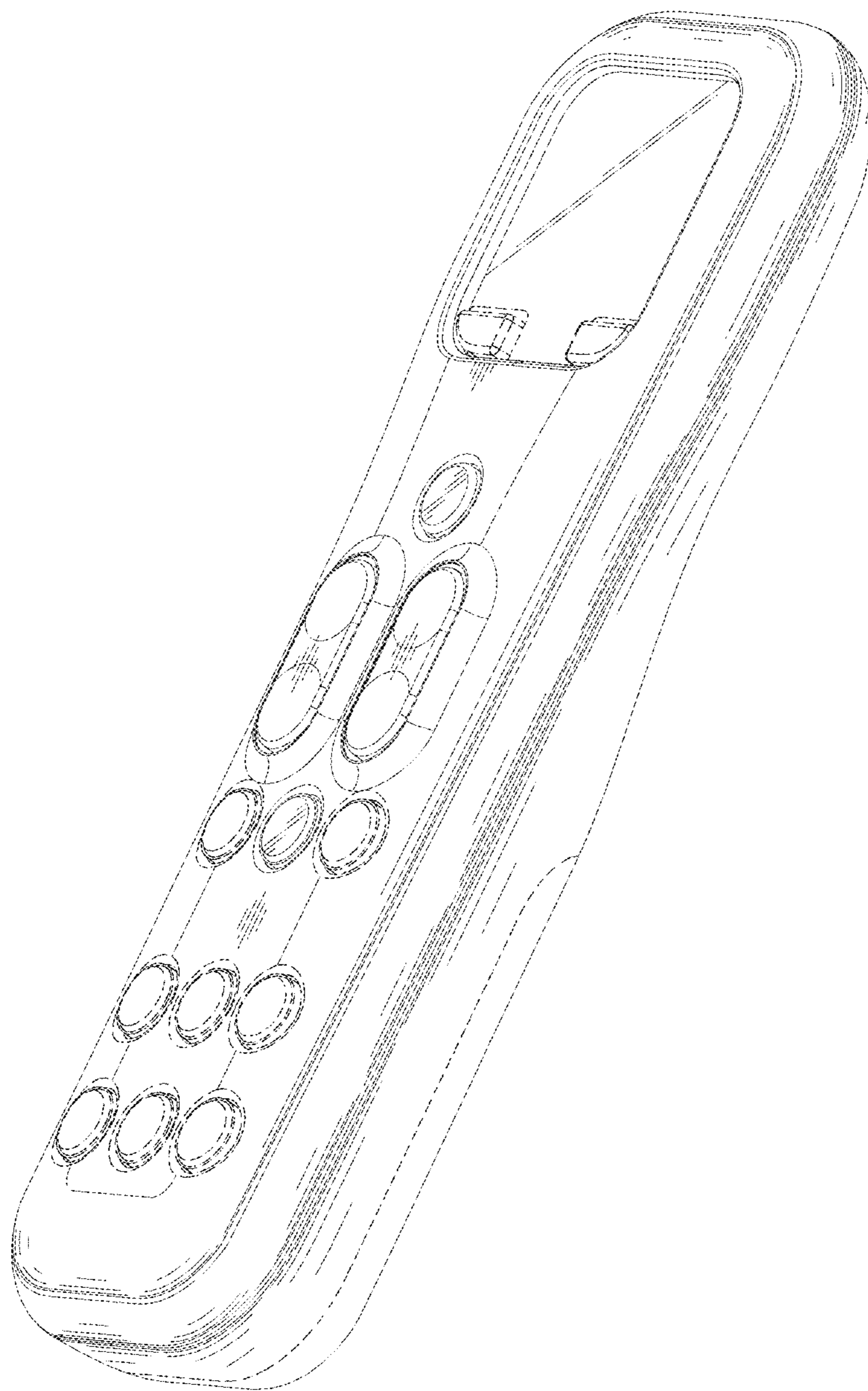


FIG. 1

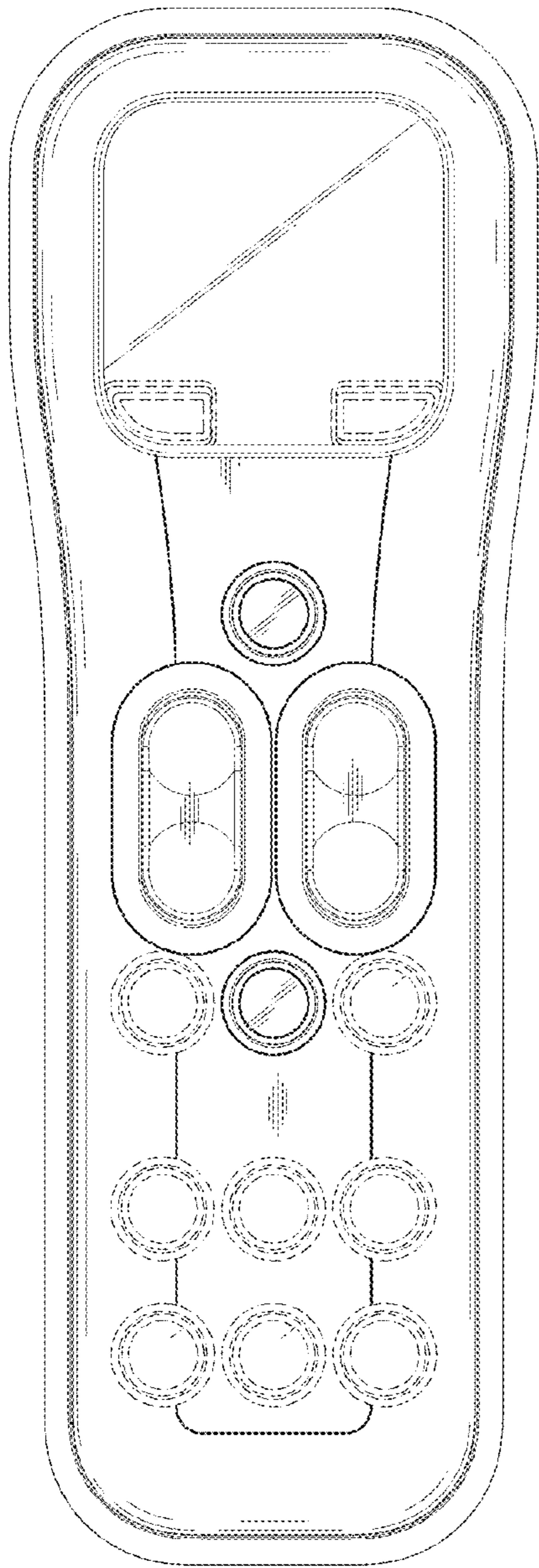


FIG. 2

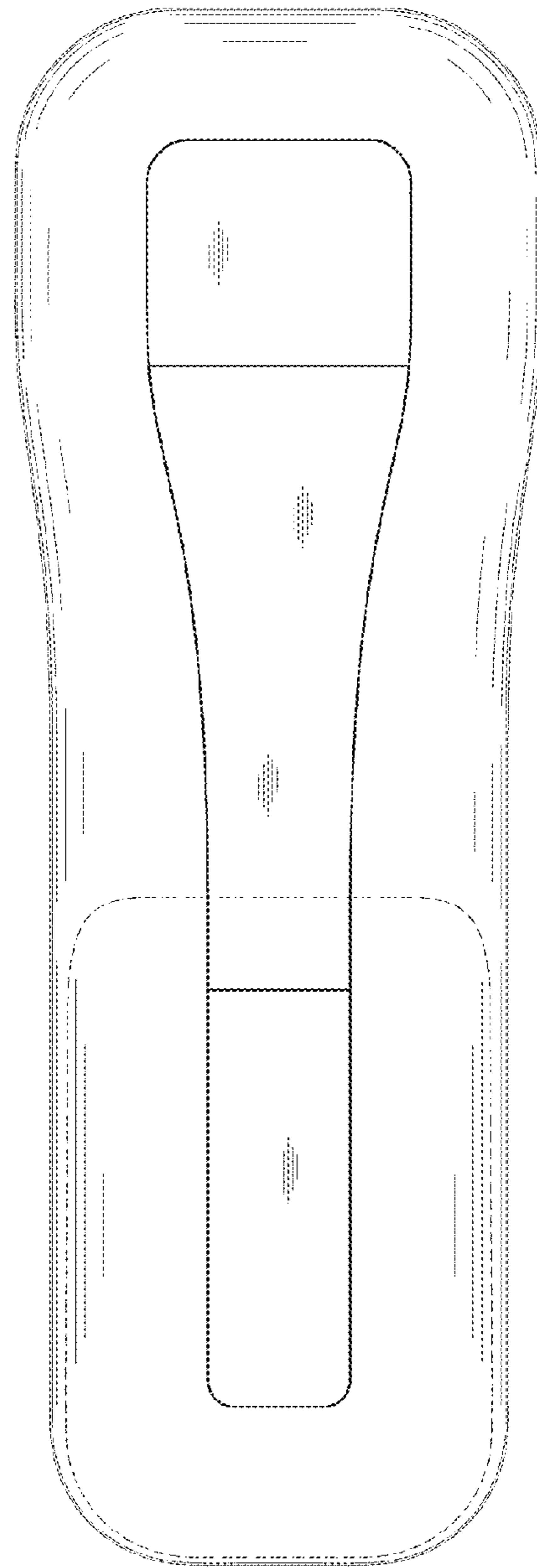


FIG. 3

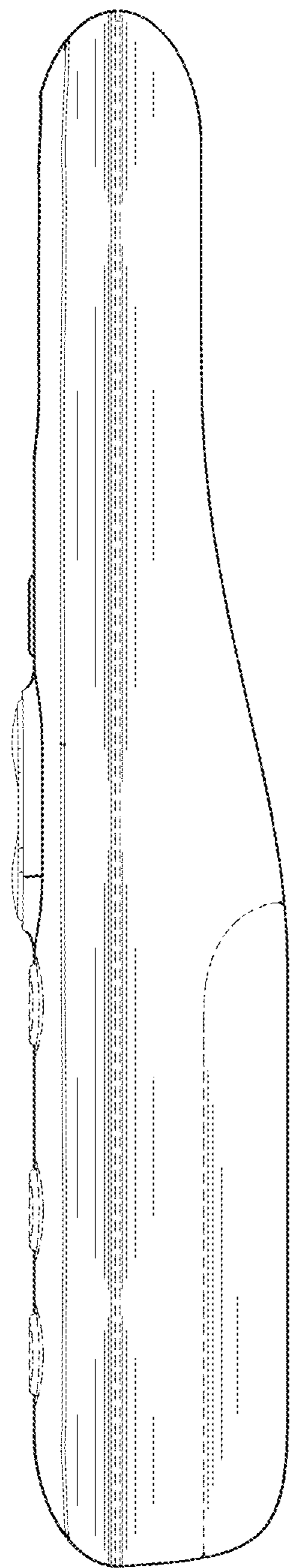


FIG. 4

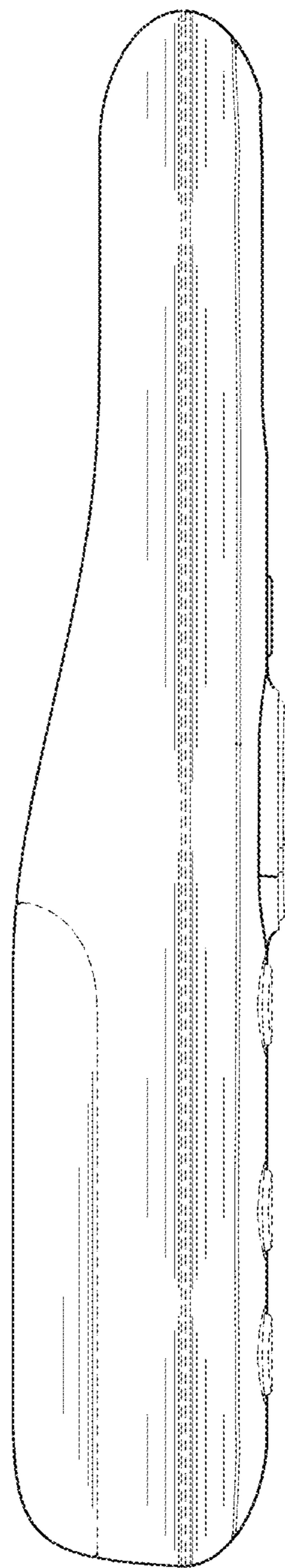


FIG. 5

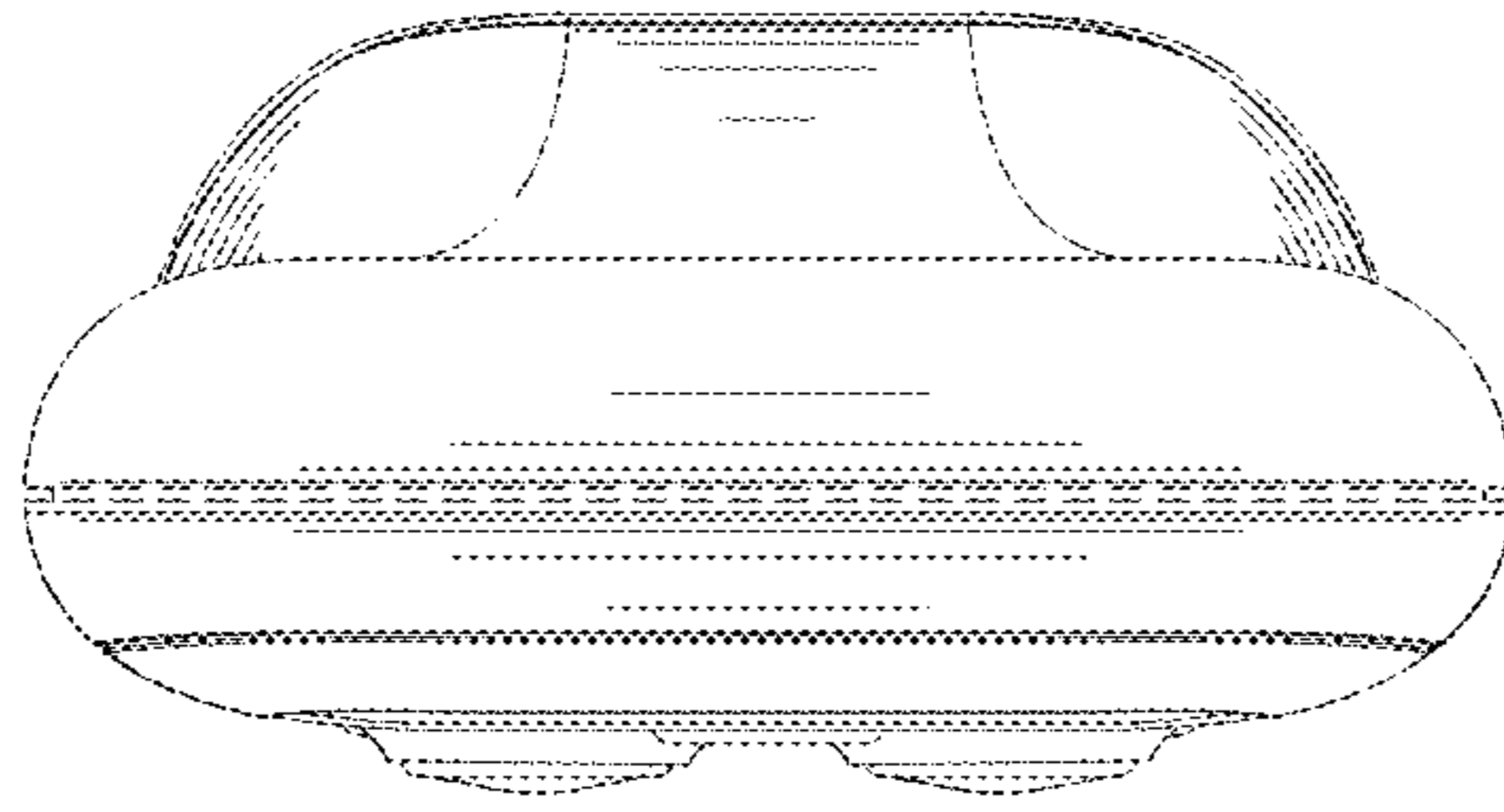


FIG. 6

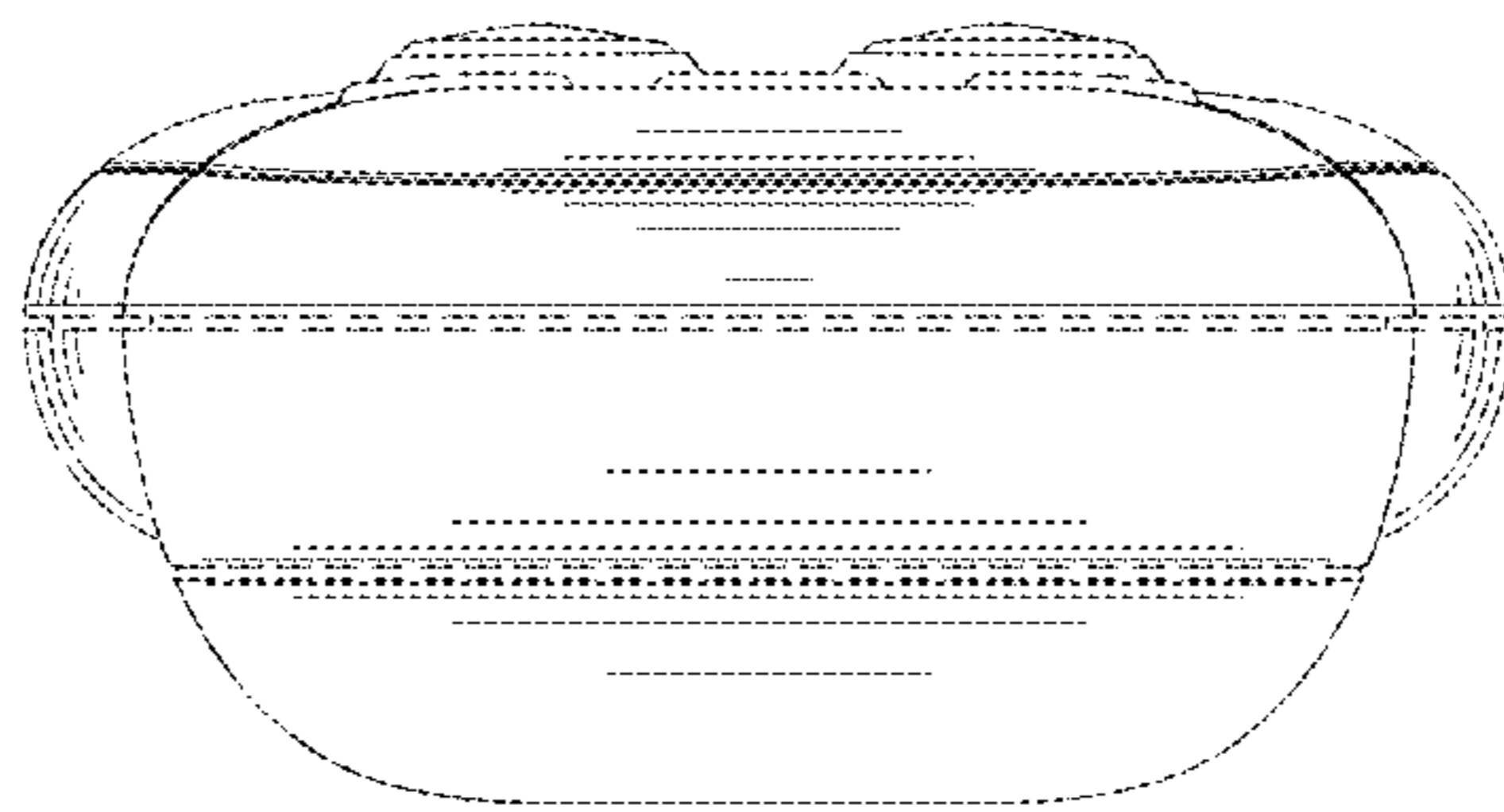


FIG. 7